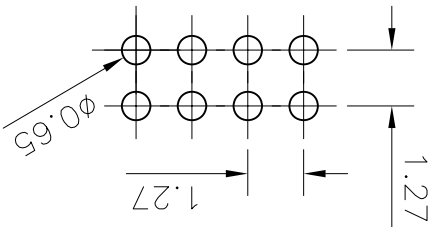
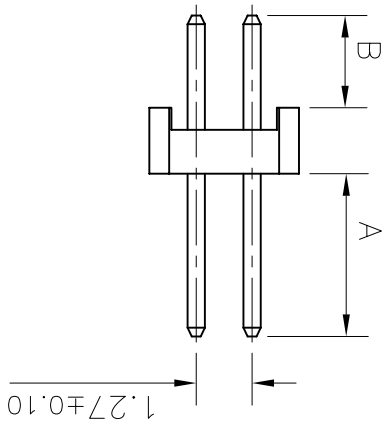
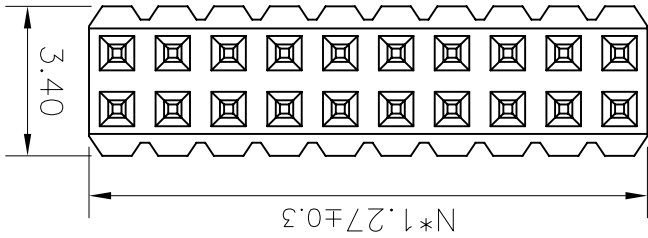
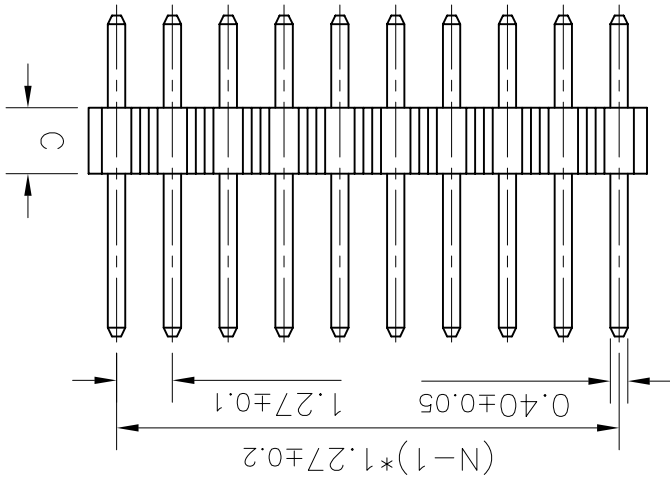


RECOMMEND PCB LAYOUT(TOLERANCE=±0.05)

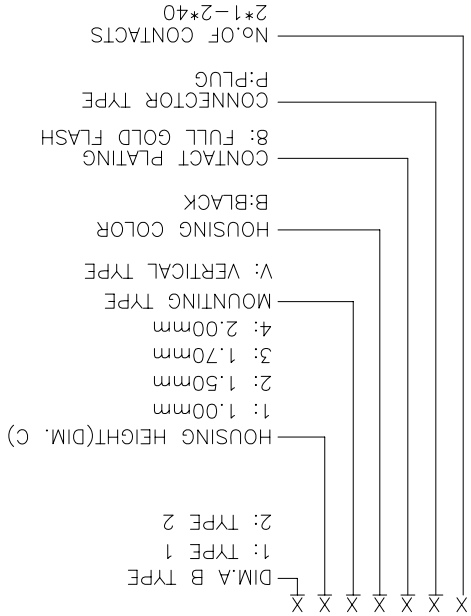


N: HALF OF CONTACTS



DRAWING NO. C-DS1031-06-XXXXXXX		SCALE 1:1		DRAWING TYPE CUSTOMER	
SHEET 1 OF 1		SHEET 1 OF 1		GENERAL TOLERANCE	
X. ±0.60	.XX ±0.25	X. ±5.	.XX ±2.	ANGLE TOLERANCE	
.X ±0.38	.X ±3.	X. ±5.	.XX ±2.	PROJECTION	

25		25	
24		24	
23		23	
22		22	
21		21	
20		20	
19		19	
18		18	
17		17	
16		16	
15		15	
14		14	
13		13	
12		12	
11		11	
10		10	
9		9	
8		8	
7		7	
6		6	
5		5	
4		4	
3	4.00	3	2.50
2	3.50	2	3.50
1	3.70	1	2.10
TYPE	DIM A	TYPE	DIM B



1. MATERIAL
- 1.1 INSULATOR: THERMOPLASTIC(UL 94V-0)
- 1.2 CONTACT MATERIAL: COPPER ALLOY.
2. SPECIFICATION
- 2.1 CURRENT RATING: 1.0 Amp.
- 2.2 INSULATION RESISTANCE: 500MΩ Min.
- 2.3 DIELECTRIC WITHSTANDING: 300VAC.
- 2.4 CONTACT RESISTANCE: 20mΩ Max.
- 2.5 OPERATING TEMPERATURE: -40°C TO +105°C.
3. PRODUCT NUMBER CODE:
- DIM.A B TYPE 1: TYPE 1 2: TYPE 2
- HOUSING HEIGHT(DIM. C) 1: 1.00mm 2: 1.50mm 3: 1.70mm 4: 2.00mm
- MOUNTING TYPE V: VERTICAL TYPE
- HOUSING COLOR B: BLACK
- CONTACT PLATING 8: FULL GOLD FLASH
- CONNECTOR TYPE F: PLUG
- NO. OF CONTACTS 2*1-2*40

REV.	A	DESCRIPTION	NEW RELEASE	YCH 08/11/07	CHECKED	APPROVED

GENERAL TOLERANCE		X. ±0.60		X. ±5.	
DRAWING TYPE CUSTOMER		.XX ±0.25		.XX ±2.	
SCALE 1:1		SHEET 1 OF 1		SHEET 1 OF 1	
DRAWING NO. C-DS1031-06-XXXXXXX		SHEET 1 OF 1		SHEET 1 OF 1	
UNITS mm		SHEET SIZE A4		SERIES DS1031-06 SERIES	
PROJECTION		TITLE		1.27mm PITCH PIN HEADER	
DUAL ROW STRAIGHT		TITLE		1.27mm PITCH PIN HEADER	

晨翔电子有限公司

CONFLY CONNLY ELECTRONIC CO., LTD

X-ON Electronics

Largest Supplier of Electrical and Electronic Components

Click to view similar products for [Headers & Wire Housings](#) category:

Click to view products by [Connfly](#) manufacturer:

Other Similar products are found below :

[95000-104TRLF](#) [10135584-644402LF](#) [DF62W-EP2022PCA](#) [95000-106TRLF](#) [DF62W-2022SCA](#) [DF62W-EP2022PC](#) [2203348](#) [DF62W-2022SC](#) [1084018](#) [1029039](#) [1084017](#) [802-10-012-10-002000](#) [1112640](#) [1112639](#) [891-007-9SS-BST1T](#) [000-34000](#) [0008550134](#) [0009482033](#) [0009507031](#) [57102-F02-18ULF](#) [57102-S06-03LF](#) [57202-S52-04LF](#) [PCN6-15S-2.5E](#) [0039019024](#) [58102-G61-06LF](#) [582553-1](#) [0009485154](#) [0009508121](#) [0022285053](#) [0050291907](#) [018731A](#) [LY20-4P-DT1-P1E-BR](#) [02.125.8002.8](#) [60101931](#) [60598-1 \(Cut Strip\)](#) [M1625-3R/100](#) [61062-3](#) [61082-181009](#) [CSU011177004](#) [636-1427](#) [638009-1](#) [641938-9](#) [641991-4](#) [644168-1](#) [644827-2](#) [647662-1](#) [65039-019ELF](#) [65692-001LF](#) [65781-018](#) [65781-047](#)