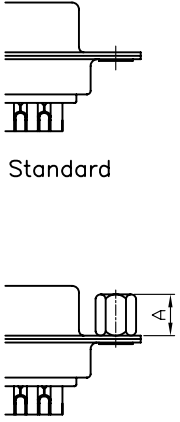
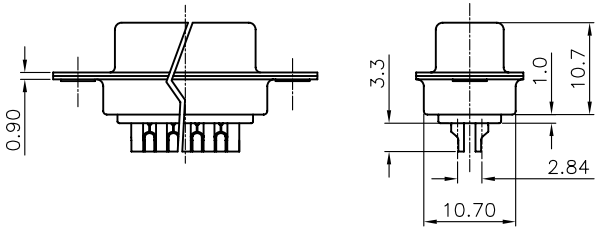
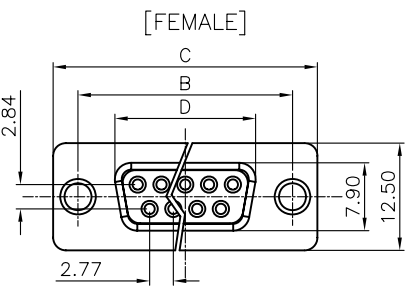
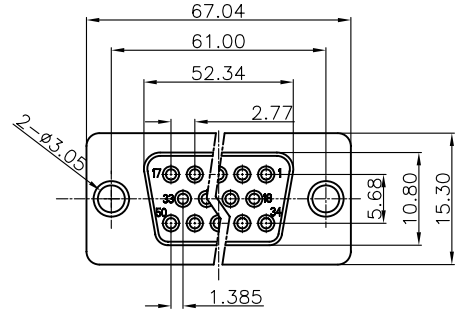


REV.	DESCRIPTION	DRAWN	CHECKED	APPROVED
A	NEW RELEASE	LJH 09/24/05'	~	LJC 09/24/05'
B	ADD 50pin drawing	LJC 02/10/07'	~	LJC 06/16/07'
C	ADD BR TYPE	YCH 07/10/07'	~	LJC 07/10/07'
D	REDRAWING	YCH 12/12/05'	~	LJC 12/12/05'
E	ADD P/N CODE	LJC 12/22/13'		

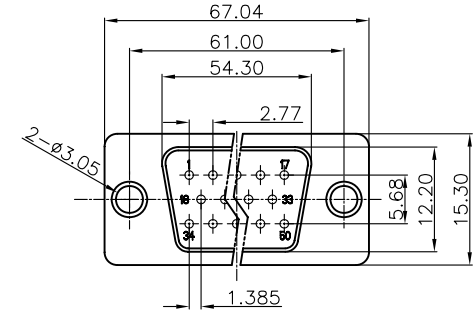


Standard

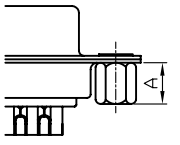
CC TYPE



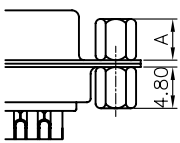
50pin Female Figure



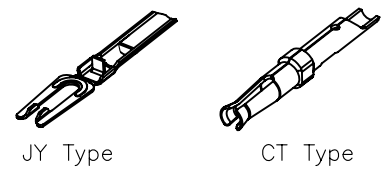
50pin Male Figure



CS TYPE



CSH TYPE



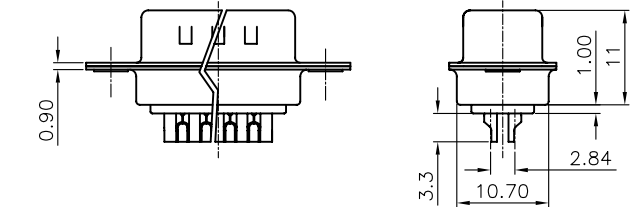
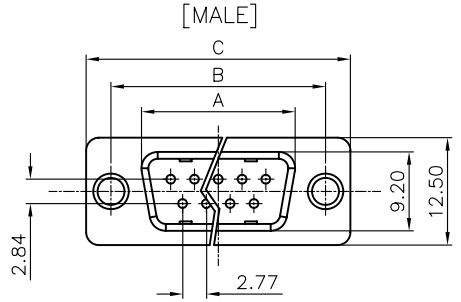
JY Type

CT Type

NOTES:

- ELECTRICAL CHARACTERISTICS:
  - CONTACT RESISTANCE: 20mΩ Max. INITIAL.
  - DIELECTRIC WITHSTANDING VOLTAGE: 500V AC(rms) FOR 1 MINUTE.
  - INSULATION RESISTANCE: 1000MΩ Min.
- ENVIRONMENT CHARACTERISTICS:
  - TEMPERATURE RANGE: -40°C~+105°C.
- PRODUCT NUMBER CODE: DS1033- X X X X X X X - X

- CONTACT TYPE ⊕
- JY: JY TYPE
- CT: CT TYPE
- SCREW DIM. A
- S: Standard(W/O nut)
- 1: 5.00
- 2: 3.00
- 3: 5.20
- 4: 4.80
- 5: 5.80
- 6: 4.00
- SCREW TYPE
- S: Standard(W/O nut)
- 1: CC TYPE
- 2: CS TYPE
- 3: CSH TYPE
- CONTACT PLATING
- 8: FULL GOLD FLASH
- Si: SELECTIVE GOLD FLASH
- 6: Full Tin
- SHELL PLATING
- T: FRONT & BACK Tin
- N: FRONT Nickel, BACK Tin
- HOUSING COLOR
- B: BLACK
- W: WHITE
- U: BLUE
- CONNECTOR TYPE
- M: Male
- F: Female
- No. OF CONTACTS
- 09,15,25,37,50



Dimension

Position	A±0.2	B±0.2	C±0.3	D
9	17.90	24.99	30.80	16.33
15	26.50	33.32	39.14	24.66
25	40.00	47.04	53.04	38.38
37	56.50	63.50	69.32	54.84

GENERAL TOLERANCE		ANGLE TOLERANCE	
X.	±0.60	X.	±5°
.X	±0.38	.X	±3°
.XX	±0.25	.XX	±2°

PROJECTION	TITLE	D-SUB STANDARD SOLDER TYPE	
UNITS	mm	SHEET	1 OF 1
SHEET SIZE	A4	SERIES	DS1033 SERIES

DRAWING TYPE	CUSTOMER		
SCALE	1:1	SHEET	1 OF 1
DRAWING NO.	C-DS1033-XXXXXXX-X-E		

**晨翔电子有限公司**  
**CONNFLY® CONNFLY ELECTRONIC CO., LTD**

## X-ON Electronics

Largest Supplier of Electrical and Electronic Components

*Click to view similar products for [D-Sub Standard Connectors](#) category:*

*Click to view products by [Connfly](#) manufacturer:*

Other Similar products are found below :

[56F711-015](#) [LV242999-142T12](#) [015-0339-000](#) [015-0341-000](#) [015-0349-000](#) [015-0350-000](#) [015-0372-008](#) [015-8544-011](#) [015-8755-001](#)  
[017041-0005](#) [020419-0104](#) [012-0467-000](#) [012-9507-114](#) [020745-0008](#) [609-25P](#) [609-9P](#) [M24308/2-23Z](#) [M24308/2-36Z](#) [M24308315F](#)  
[CT0M22-23SS](#) [CT0P14S-5SXS](#) [CT0P22-14PS](#) [CT1E20-19SS](#) [CT2-10SL-3SC](#) [CT2-14S-2PCA34](#) [CT2-16S-17PS](#) [CT2-18-10PS-FMLB-D](#)  
[CT2-18-11PCAU](#) [CT2-18-1PSAUA34](#) [CT2-22-19SC](#) [CT2-22-19SS-A206](#) [CT2-24-2PS](#) [CT2-28-12SC](#) [CT2-28-12SSA232](#) [CT6-10SL-3SC](#)  
[CT6-10SL-4SC](#) [CT6-14S-2SC](#) [CT6-16-12SC](#) [CT6-18-10PSA206](#) [CT6-18-10PSA232](#) [CT6-18-10SSF127A206](#) [CT6-22-10PS](#) [CT6-28-22SS](#)  
[CT6E14S-2S0](#) [CT6E14S-2SC-A206](#) [CT6E14S-5SC](#) [CT6E14SA7SC](#) [CT6E20-14SS](#) [CT6E22-10PS](#) [CT6E22-14PC](#)