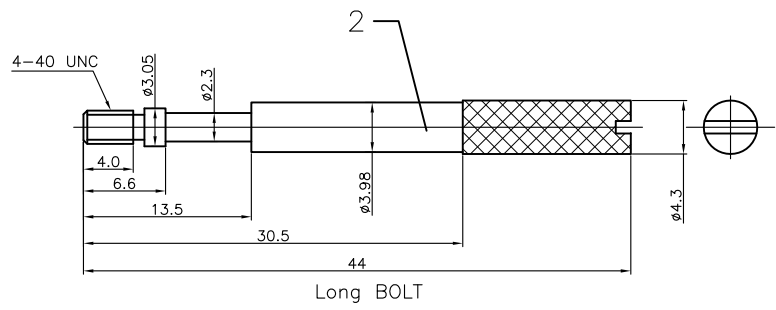
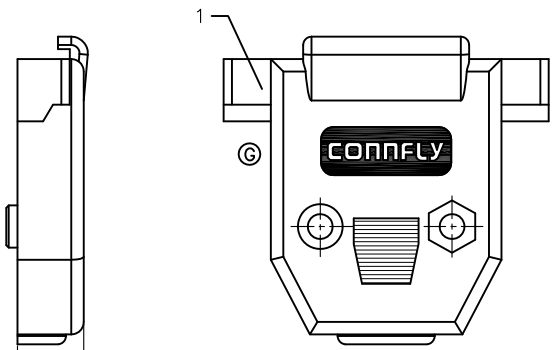
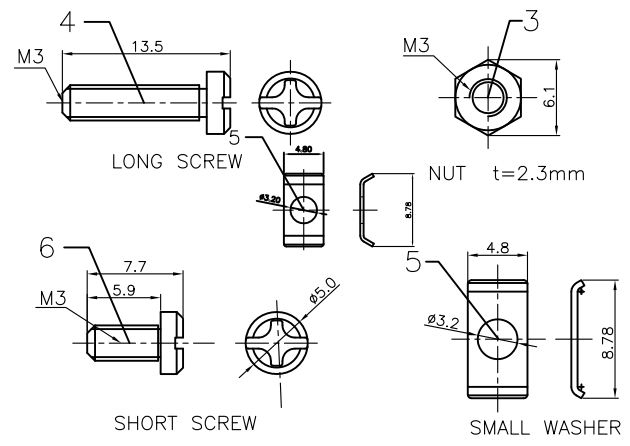
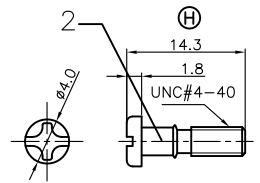
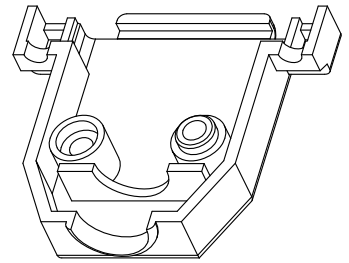


BOM LIST			
ITEM	PART NAME	Q'ty	NOTES
1	PLASTIC HOOD	2	SEE P/N
2	2.1 LONG BOLT	2	#4-40
	2.2 SHORT BOLT	2	#4-40
3	NUT	2	M3
4	LONG SCREW	2	M3
5	SMALL WASHER	2	
6	SHORT SCREW	2	M3
7	METAL WASHER	2	M3



REV.	DESCRIPTION	DRAWN	CHECKED	APPROVED
A	NEW RELEASE	LJH 05/18/05'	~	LJC 05/18/05'
C	整理英制短螺丝尺寸	YCH 07/18/08'	~	LJC 07/18/08'
D	增加“全包装”类型	YCH 05/20/10'	~	LJC 05/20/10'
E	ADD P/N CODE	LJC 12/24/13'	~	LJC 12/24/13'
H	Short BOLT CHANGE	JLZ 03/13/15'	~	

NOTES:
 1. Hardwares are all Nickel plated.
 2. PART NUMBER CODE:
 DS1045 - 15 X X X X X - X



Hood Materials (E)
 A: ABS
 B: Similar ABS

Washer type
 1: Metal

Bolt type
 L: Long
 S: Short


Packing type
 1: Mix packing
 Q: Full packing

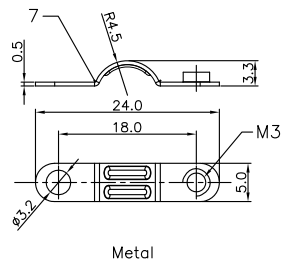
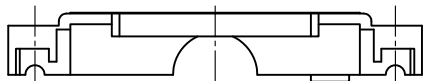
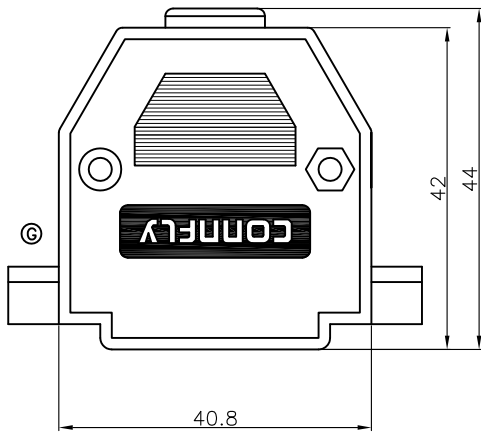
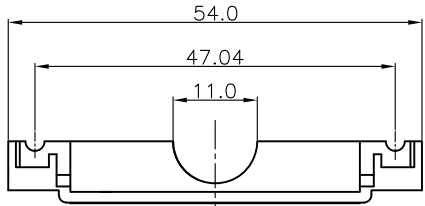
Cover Material
 P: Plastic(ABS)
 Cover Color
 A: Gray
 B: Black
 V: Ivory
 Position
 15: 15pin

GENERAL TOLERANCE		ANGLE TOLERANCE	
X.	±0.60	X.	±5°
.X	±0.38	.X	±3°
.XX	±0.25	.XX	±2°

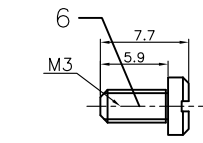
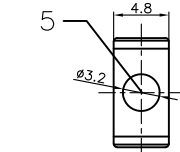
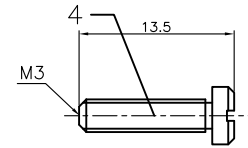
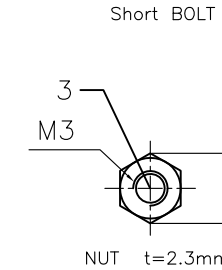
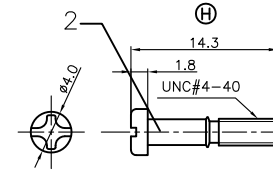
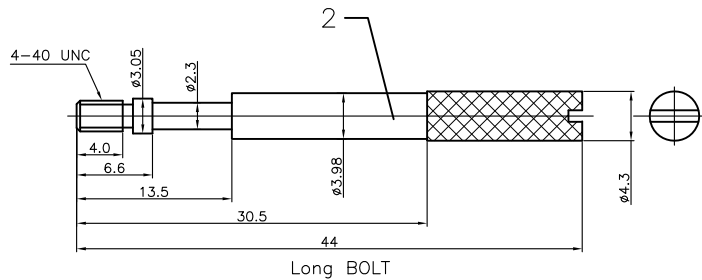
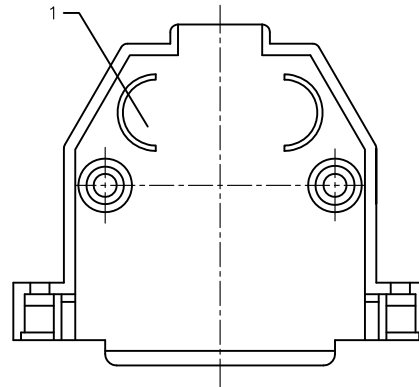
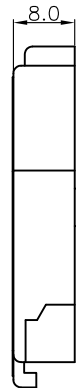
PROJECTION	TITLE	D-SUB Plastic Hood 180° 15 Positions	
UNITS	mm		
SHEET SIZE	A4	SERIES	DS1045 SERIES

DRAWING TYPE	CUSTOMER		
SCALE	1:1	SHEET	1 OF 1
DRAWING NO.	C-DS1045-15XXXXX-X-H		

 **晨翔电子有限公司**
CONNFLY® CONNFLY ELECTRONIC CO., LTD



BOM LIST			
ITEM	PART NAME	Q'ty	NOTES
1	PLASTIC HOOD	2	SEE P/N
2	2.1 LONG BOLT	2	#4-40
	2.2 SHORT BOLT	2	#4-40
3	NUT	2	M3
4	LONG SCREW	2	M3
5	SMALL WASHER	2	
6	SHORT SCREW	2	M3
7	METAL WASHER	2	M3



NOTES:
 1. Hardwares are all Nickel plated.
 2. PART NUMBER CODE:
 DS1045 - 25 X X X X X - X

Hood Materials (E)
 A: ABS
 B: Similar ABS

Washer type
 1: Metal

Bolt type
 L: Long
 S: Short

Packing type
 1: Mix packing
 Q: Full packing

Cover Material
 P: Plastic(ABS)

Cover Color
 A: Gray
 B: Black
 V: Ivory


Position
 25: 25pin

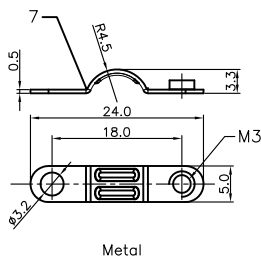
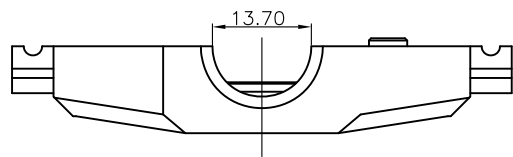
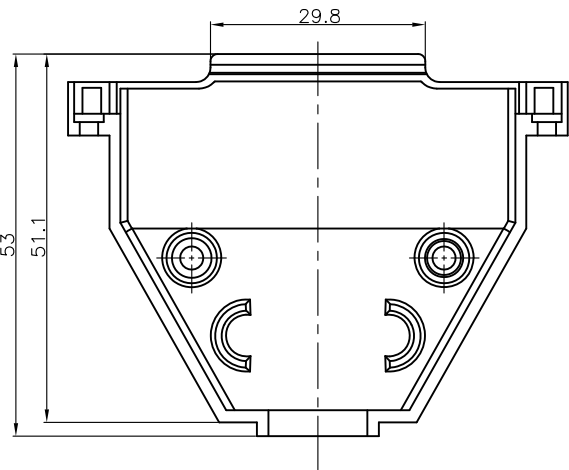
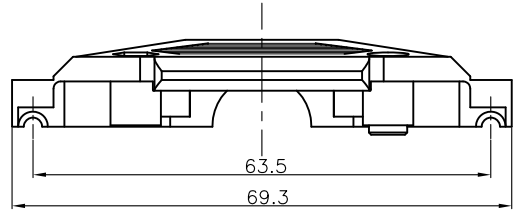
REV.	DESCRIPTION	DRAWN	CHECKED	APPROVED
A	NEW RELEASE	LJH 10/26/05'	~	LJC 10/26/05'
C	整理英制短螺丝尺寸	YCH 07/18/08'	~	LJC 07/18/08'
D	增加“全包装”类型	YCH 05/20/10'	~	LJC 05/20/10'
E	ADD P/N CODE	LJC 12/24/13'	~	LJC 12/24/13'
H	Short BOLT CHANGE	JLZ 03/13/15'	~	

GENERAL TOLERANCE		ANGLE TOLERANCE	
X.	±0.60	X.	±5°
.X	±0.38	.X	±3°
.XX	±0.25	.XX	±2°

PROJECTION	TITLE	D-SUB Plastic Hood 180° 25 Positions	
UNITS	mm	SHEET	1 OF 1
SHEET SIZE	A4	SERIES	DS1045 SERIES

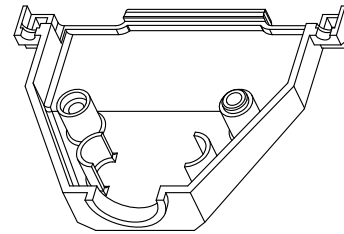
DRAWING TYPE	COSTOMER		
SCALE	1:1	SHEET	1 OF 1
DRAWING NO.	C-DS1045-25XXXXX-X-H		

 晨翔电子有限公司
CONNFLY ELECTRONIC CO., LTD



BOM LIST			
ITEM	PART NAME	Q'ty	NOTES
1	PLASTIC HOOD	2	SEE P/N
2	LONG BOLT	2	#4-40
	SHORT BOLT	2	#4-40
3	NUT	2	M3
4	LONG SCREW	2	M3
5	SMALL WASHER	2	
6	SHORT SCREW	2	M3
7	METAL WASHER	2	M3

REV.	DESCRIPTION	DRAWN	CHECKED	APPROVED
A	NEW RELEASE	LJH 10/26/05'	~	LJC 10/26/05'
C	整理英制短螺丝尺寸	YCH 07/18/08'	~	LJC 07/18/08'
D	增加“全包装”类型	YCH 05/20/10'	~	LJC 05/20/10'
E	ADD P/N CODE	LJC 12/24/13'	~	LJC 12/24/13'
H	Short BOLT CHANGE	JLZ 03/13/15'	~	



NOTES:
 1. Hardwares are all Nickel plated.
 2. PART NUMBER CODE:
 DS1045 - 37 X X X X X X - X

Hood Materials (C)
 A: ABS
 B: Similar ABS

Washer type
 1: Metal

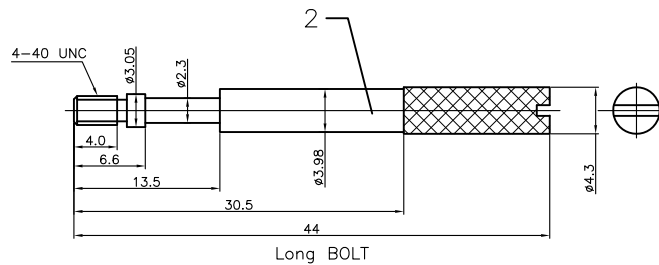
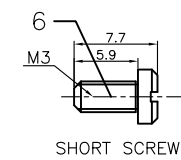
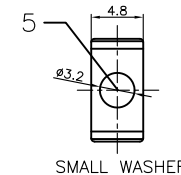
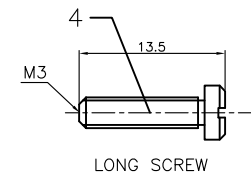
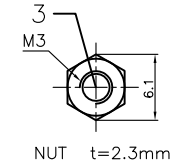
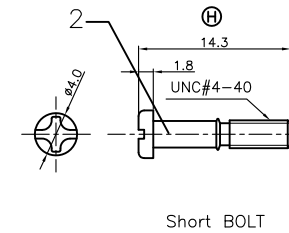
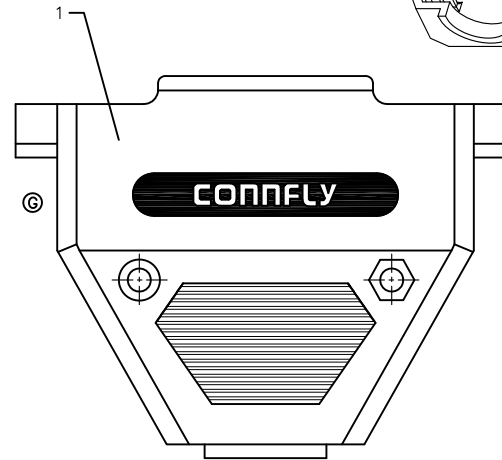
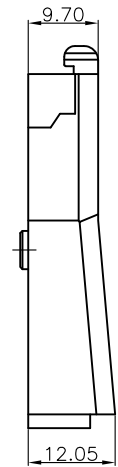
Bolt type
 L: Long
 S: Short

Packing type
 1: Mix packing
 Q: Full packing

Cover Material
 P: Plastic(ABS)

Cover Color
 A: Gray
 B: Black
 V: Ivory


Position
 37: 37pin



GENERAL TOLERANCE		ANGLE TOLERANCE	
X.	±0.60	X.	±5°
.X	±0.38	.X	±3°
.XX	±0.25	.XX	±2°

PROJECTION	TITLE	D-SUB Plastic Hood 180° 37 Positions	
UNITS	mm		
SHEET SIZE	A4	SERIES	DS1045 SERIES

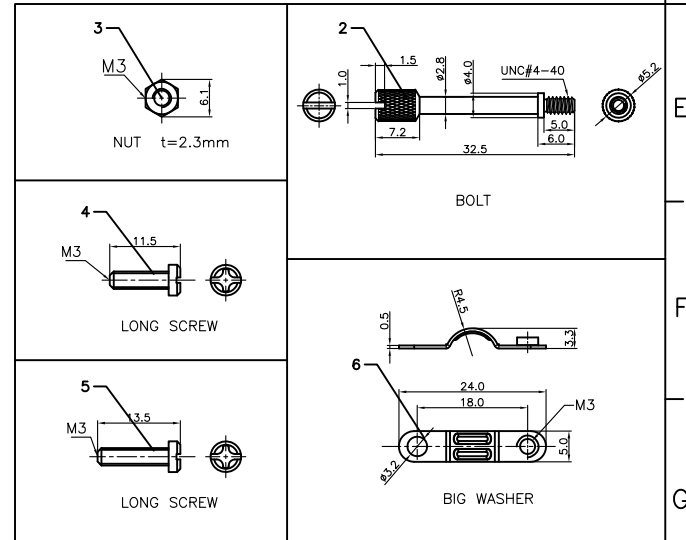
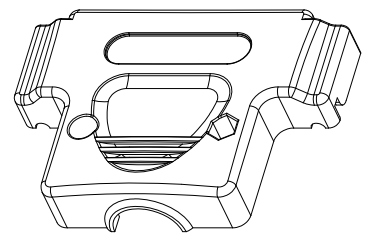
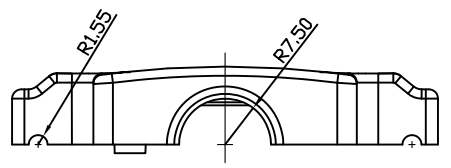
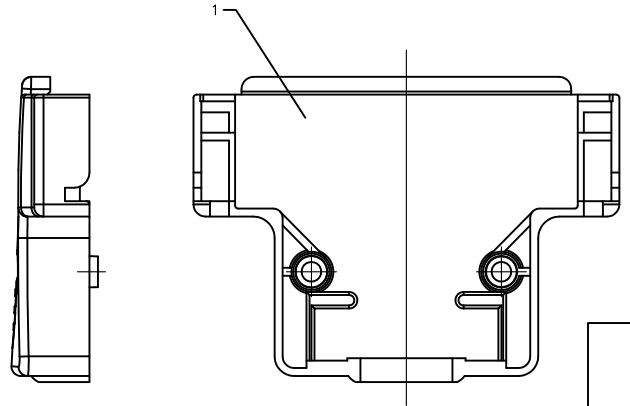
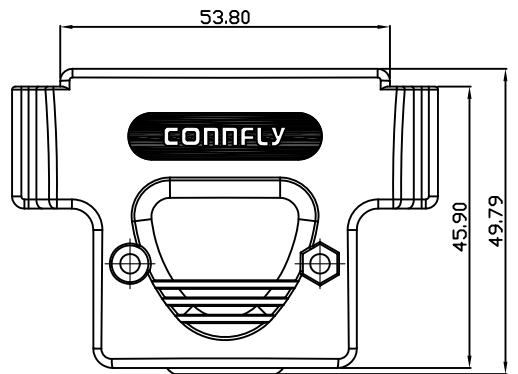
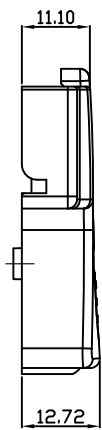
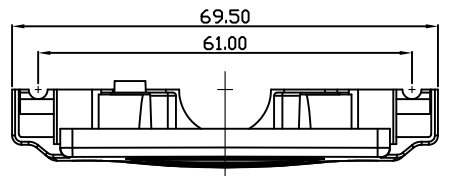
DRAWING TYPE	COSTOMER		
SCALE	1:1	SHEET	1 OF 1
DRAWING NO.	C-DS1045-37XXXXX-X-H		

 晨翔电子有限公司
CONFLY® CONFLY ELECTRONIC CO., LTD

REV.	DESCRIPTION	DRAWN	CHECKED	APPROVED
A	NEW RELEASE	YCH 05/24/11'	~	LJC 05/24/11'
B	ADD P/N CODE	LJC 12/24/13'	~	LJC 12/24/13'
C	Arrange Drawing	JLZ 10/09/14'	~	LJC 10/09/14'
D	ADD LOGO	JLZ 12/17/14'	~	

NOTES:
 1. Hardware are all Nickel plated.
 2. PART NUMBER CODE:
 DS1045 - 50 X X X - X

- Hood Materials®
 - A: ABS
 - B: Similar ABS
- Packing type
 - 1: Mix packing
- Cover Color
 - A: Gray
 - B: Black
- Cover Material
 - P: Plastic(ABS)
- Position
 - 50: 50pin



BOM LIST			
ITEM	PART NAME	Q'ty	NOTES
1	PLASTIC HOOD	2	SEE P/N
2	BOLT	2	#4-40
3	NUT	2	M3
4	M3*10 SCREW	2	M3
5	M3*12 SCREW	2	M3
6	BIG WASHER	2	M3

GENERAL TOLERANCE		ANGLE TOLERANCE	
X.	±0.60	X.	±5°
.X	±0.38	.X	±3°
.XX	±0.25	.XX	±2°

PROJECTION		TITLE	D-SUB Plastic Hood 180° 50 Positions
UNITS	mm	SHEET SIZE	A4
SHEET SIZE	A4	SERIES	DS1045 SERIES

DRAWING TYPE	CUSTOMER		
SCALE	1:1	SHEET	1 OF 1
DRAWING NO.	C-DS1045-50XXX-X-D		

晨翔电子有限公司
CONNFLY® CONNFLY ELECTRONIC CO., LTD

X-ON Electronics

Largest Supplier of Electrical and Electronic Components

Click to view similar products for [D-Sub Backshells](#) category:

Click to view products by [Connfly](#) manufacturer:

Other Similar products are found below :

[600X54009X](#) [600X56025X](#) [M85049/6-38N](#) [M85049/86-12N03](#) [70.350.0636.4](#) [72.350.1035.2](#) [73.359.4035.3](#) [747534-2](#) [829472-1](#) [PCS-E20W](#) [970-015-040R011](#) [971-009-040R011](#) [DD-C4-J13-S1](#) [DPH-B-003](#) [165X02659X](#) [165X10899X](#) [165X11689X](#) [165X13169X](#) [L171373](#)
[971-037-040R011](#) [300X11139X](#) [165X00809X](#) [165X11629XE](#) [165X17189X](#) [300X10179X](#) [500-047M37H](#) [500T010J21H08](#) [557-083B1](#)
[557B316M535TB8](#) [557E316M536TB6](#) [557S283NF1A05](#) [557T071NF131SB](#) [557T113M232B](#) [400FS001M2410F2](#) [DA-C8-J10-F1-1R](#) [DB-C2-J9R](#) [DB-C8-J10-F5-1R](#) [419-2080-502](#) [DC-C8-J13-B1-1R](#) [DMHE001](#) [500-016NF09EN](#) [500-017M51FN](#) [500T010M15E08](#)
[500T010M15H06](#) [500T010NF15B08](#) [500T010NF15H08](#) [500T012M21E](#) [507-146M31EC](#) [057-3006-011](#) [550T003NF1R4K0F03](#)