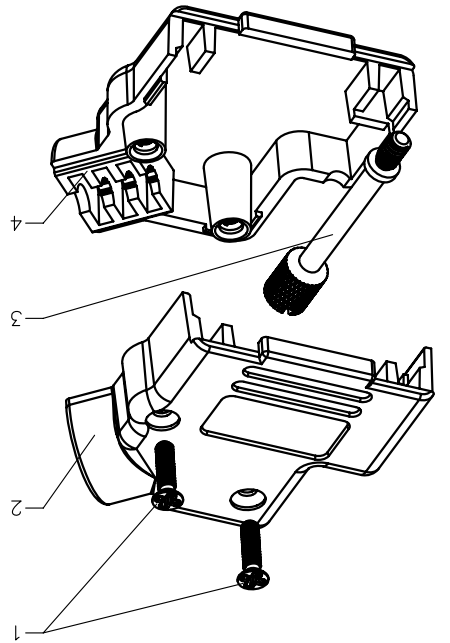
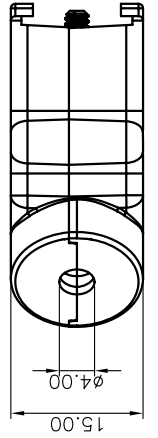
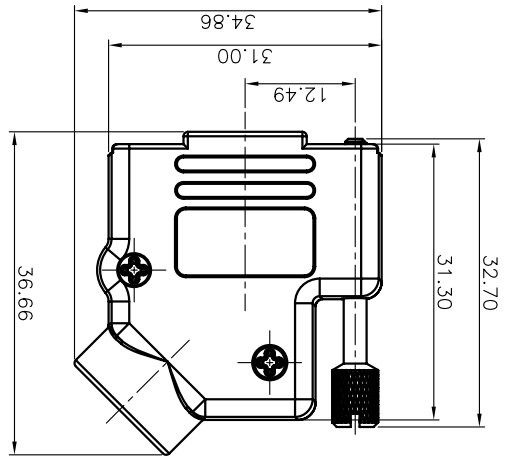
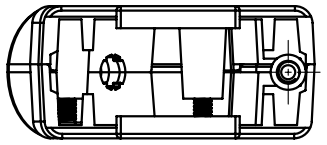
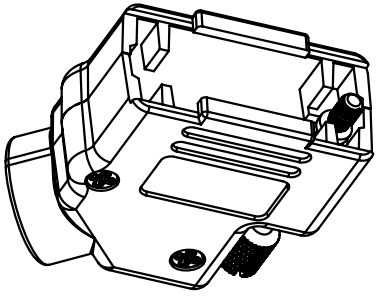


DRAWING NO. C-DS1047-04-09XX	
SCALE 1:1	SHEET 1 OF 1
DRAWING TYPE CUSTOMER	
GENERAL TOLERANCE X. ±0.60	ANGLE TOLERANCE X. ±5°
X. ±0.38	X. ±3°
.XX ±0.25	.XX ±2°

PROJECTION	TITLE	D-SUB 9pin Metal Hoods
UNITS	mm	Large Angled Cable Outlet
SHEET SIZE	A4	SERIES DS1047-04 SERIES



BOM LIST

ITEM	PART NAME	Q'ty	NOTES
1	SCREW	2	M2
2	METAL HOOD-1	1	
3	BOLT	1	UNC#4-40
4	METAL HOOD-2	1	

NOTES:

1. PART NUMBER CODE: DS1047-04 - 09 X X

Packing type

1: Mix packing

2: Separation packing

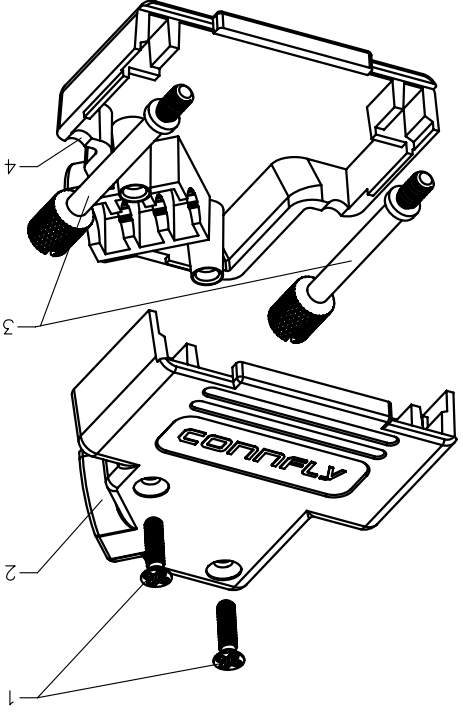
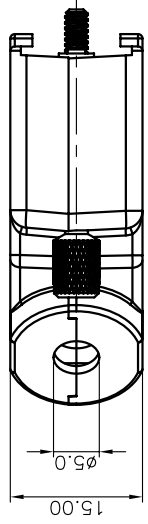
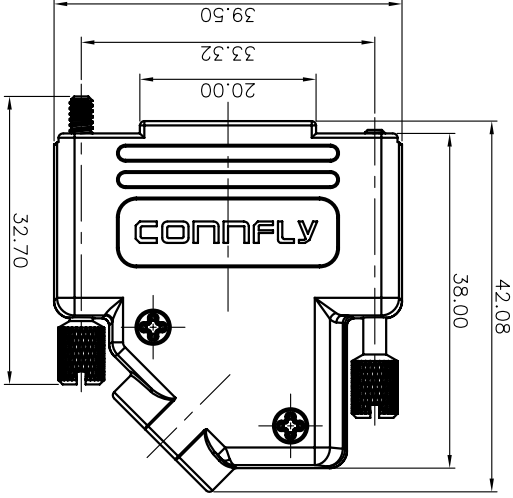
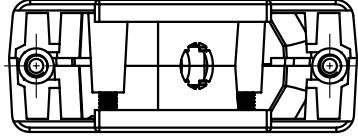
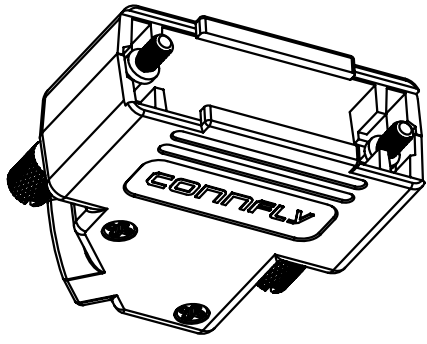
Cover Material

M: Metal(Znic alloy)

Positions

09: 9pin

REV.	DESCRIPTION	DRAWN	CHECKED	APPROVED
A	NEW RELEASE	YCH 12/31/09'		



BOM LIST

ITEM	PART NAME	Q'ty	NOTES
1	SCREW	2	M2
2	METAL HOOD-1	1	
3	BOLT	2	UNC#4-40
4	METAL HOOD-2	1	

1: Part Number Code: DS1047-04 - 15 X X  
 Packing type  
 1: Mix packing  
 2: Separation packing  
 Cover Material  
 M: Metal(Znic alloy)  
 Positions  
 15: 15pin

NOTES:

REV.	DESCRIPTION	DRAWN	CHECKED	APPROVED
A	NEW RELEASE	YCH 12/31/09'	~	

GENERAL TOLERANCE

X. ±0.60  
 X. ±0.38  
 X. ±0.25

ANGLE TOLERANCE

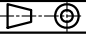
X. ±5°  
 X. ±3°  
 X. ±2°

DRAWING TYPE CUSTOMER

SCALE 1:1 SHEET 1 OF 1

DRAWING NO. C-DS1047-04-15XX


**CONNPLY CONNLY ELECTRONIC CO., LTD**  
 晨翔电子有限公司

PROJECTION	TITLE	UNITS	SHEET SIZE
	D-SUB 15pin Metal Hoods Large Angled Cable Outlet	mm	A4

SERIES DS1047-04 SERIES

8

7

6

5

4

3

2

1

H

H

G

G

F

F

E

E

D

D

C

C

B

B

A

A

8

7

6

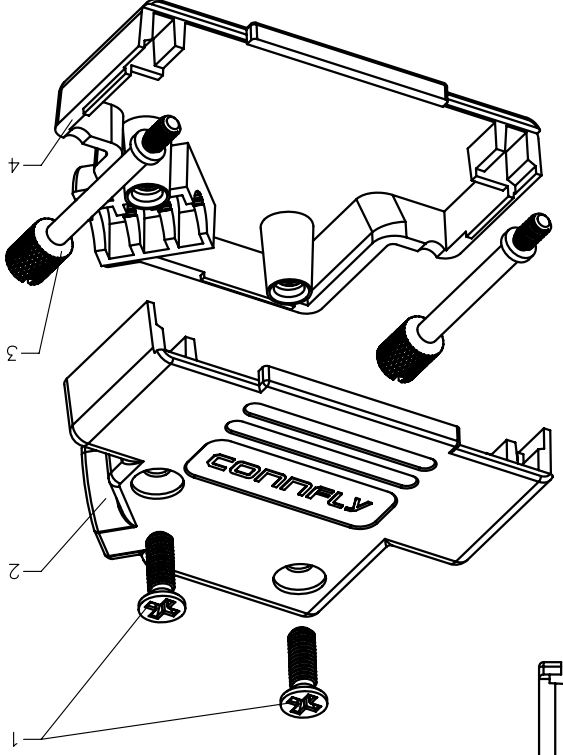
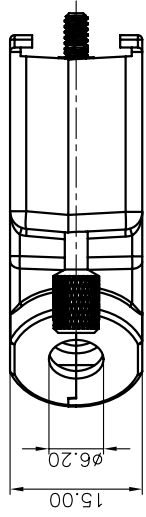
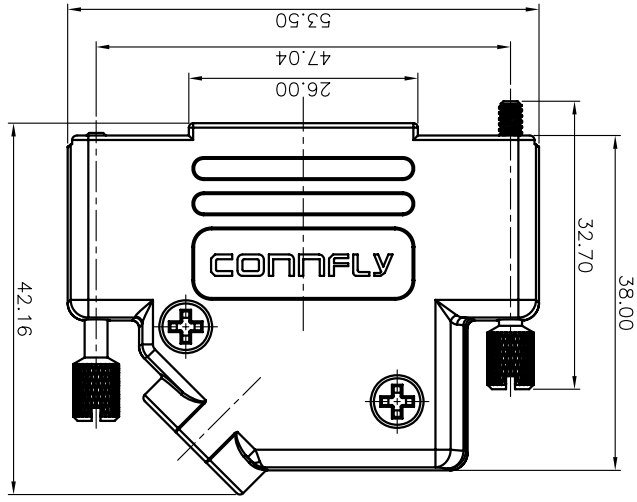
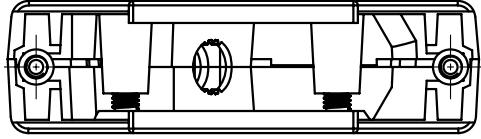
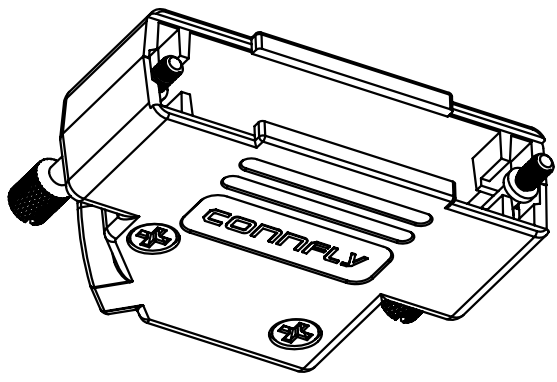
5

4

3

2

1



BOM LIST

ITEM	PART NAME	Q'ty	NOTES
1	SCREW	2	M3
2	METAL HOOD-1	1	
3	BOLT	2	UNC#4-40
4	METAL HOOD-2	1	

NOTES:

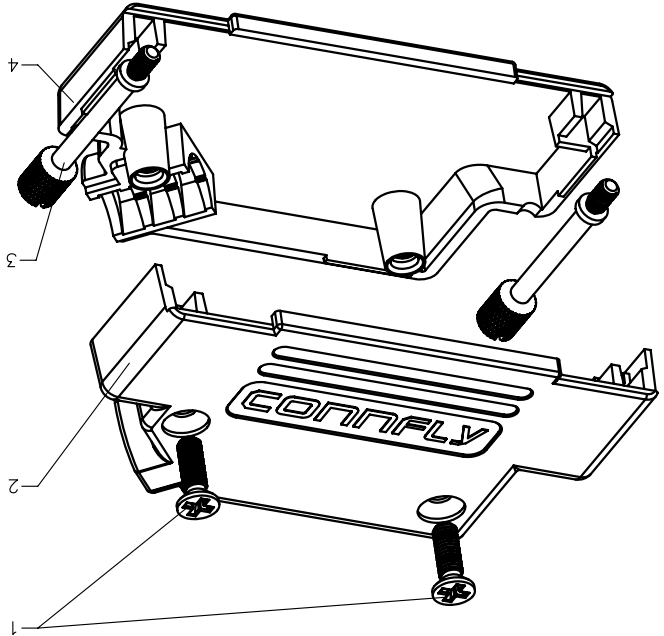
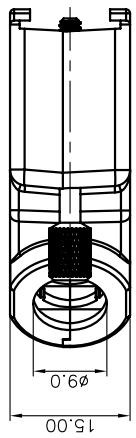
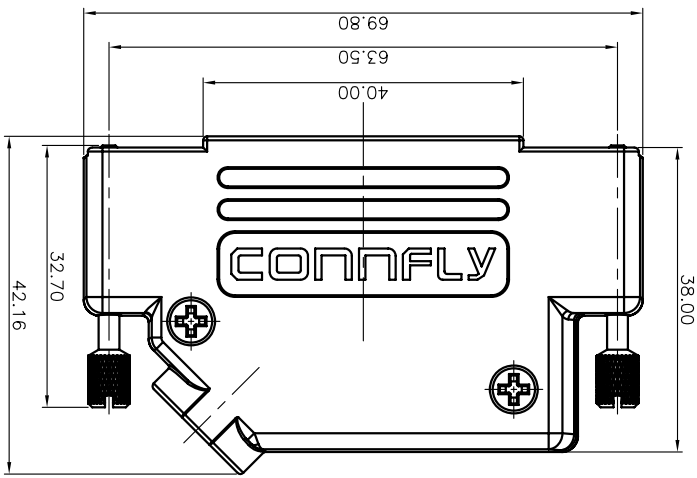
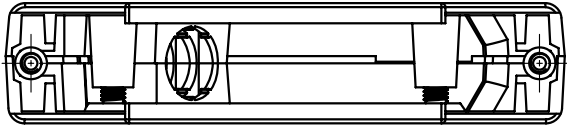
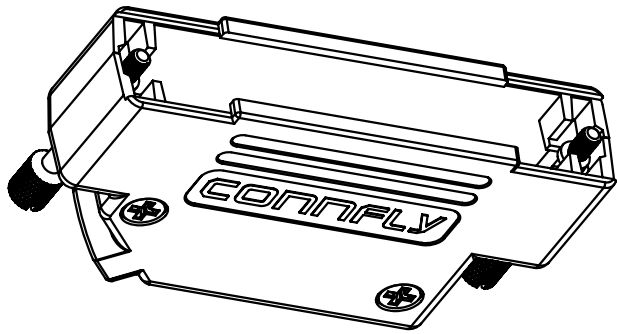
- PART NUMBER CODE: DS1047-04 - 25 X X
- Mix packing
- Separation packing
- Cover Material
- M: Metal(Znic alloy)
- Positions: 25: 25pin

GENERAL TOLERANCE		X. $\pm 0.60$	X. $\pm 0.38$	X. $\pm 0.25$
ANGLE TOLERANCE		X. $\pm 5^\circ$	X. $\pm 3^\circ$	X. $\pm 2^\circ$
DRAWING TYPE		CUSTOMER		
SCALE		1:1 SHEET 1 OF 1		
DRAWING NO.		C-DS1047-04-25XX		

PROJECTION		TITLE		D-SUB 25pin Metal Hoods	
UNITS		mm		Large Angled Cable Outlet	
SHEET SIZE		A4		SERIES DS1047-04 SERIES	

晨翔电子有限公司  
CONNPLY CONNPLY ELECTRONIC CO., LTD

REV.	DESCRIPTION	DRAWN	CHECKED	APPROVED
A	NEW RELEASE	YCH 12/31/09'		



BOM LIST

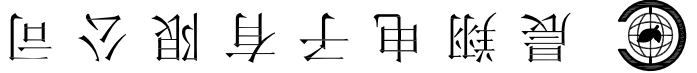
ITEM	PART NAME	Q'ty	NOTES
1	SCREW	2	M3
2	METAL HOOD-1	1	
3	BOLT	2	UNC#4-40
4	METAL HOOD-2	1	

NOTES:  
 1. PART NUMBER CODE: DS1047-04 - 37 X X  
 Packing type  
 1: Mix packing  
 2: Separation packing  
 Cover Material  
 M: Metal(Znic alloy)  
 Positions  
 37: 37pin

REV.	DESCRIPTION	DRAWN	CHECKED	APPROVED
A	NEW RELEASE	YCH 12/31/09'		

GENERAL TOLERANCE		X. ±0.60
ANGLE TOLERANCE		X. ±5°
		X. ±3°
		.XX ±2°
DRAWING TYPE		CUSTOMER
SCALE		1:1 SHEET 1 OF 1
DRAWING NO.		C-DS1047-04-37XX

PROJECTION		UNIT	SHEET SIZE	SERIES	TITLE
D-SUB 37pin Metal Hoods		mm	A4	DS1047-04 SERIES	Large Angled Cable Outlet
CONFLY ELECTRONIC CO., LTD					



8

7

6

5

4

3

2

1

H  
G  
F  
E  
D  
C  
B  
A

H  
G  
F  
E  
D  
C  
B  
A

8

7

6

5

4

3

2

1

## X-ON Electronics

Largest Supplier of Electrical and Electronic Components

*Click to view similar products for [connfly](#) manufacturer:*

Other Similar products are found below :

[DS1058-14M28-30.5](#) [DS1015-16NN0A](#) [DS1031-14-40S8B](#) [DS1012-34LNN0A](#) [DS1018-50SIBX](#) [DS1011-34RBSIB7](#) [DS1015-06-10R6SR](#)  
[DS1033-15MUNSiSS](#) [DS1031-08-2\\*10P8BS-4-1](#) [DS1058-60M28-30.5](#) [DS1009-32AT1WX](#) [DS1058-64M28-30.5](#) [DS1020-08-18VBT11-R](#)  
[DS1020-05-04BT1](#) [DS1098-BN0](#) [DS1057-01-60A282R-30.5](#) [DS1002-03-1\\*16131](#) [DS1057-64A282R-30.5](#) [DS1057-01-34A282R-30.5](#)  
[DS1057-01-64A282R-30.5](#) [DS1021-2\\*7SF11](#) [DS1034-03-25MWN8SS](#) [DS1058-50M28-30.5](#) [DS1017-01-40NA8](#) [DS1058-34M28-30.5](#)  
[DS1058-24M28-30.5](#) [DS1057-01-50A282R-30.5](#) [DS1065-14-2\\*40S8BR](#) [DS1110-08-07LYP](#) [DS1057-30A282R-30.5](#) [DS1065-03-2\\*11S8BV](#)  
[DS1058-40M28-30.5](#) [DS1057-24A282R-30.5](#) [DS1038-26MBNSIA74](#) [DS1057-50A282R-30.5](#) [DS1057-01-24A282R-30.5](#) [DS1110-27-12BU8](#)  
[DS1065-10-2\\*28S8BS](#) [DS1110-27-5BU8](#) [DS1019-08NB2B](#) [DS1031-15-30V8B](#) [DS1058-20M28-30.5](#) [DS1110-27-2BU8](#) [DS1046-15C1S1](#)  
[DS1002-03-2\\*40131](#) [DS1057-40A282R-30.5](#) [DS1110-06-04LYP](#) [DS1065-14-2\\*28S8BR](#) [DS1002-01-1\\*16R13](#) [DS1057-60A282R-30.5](#)