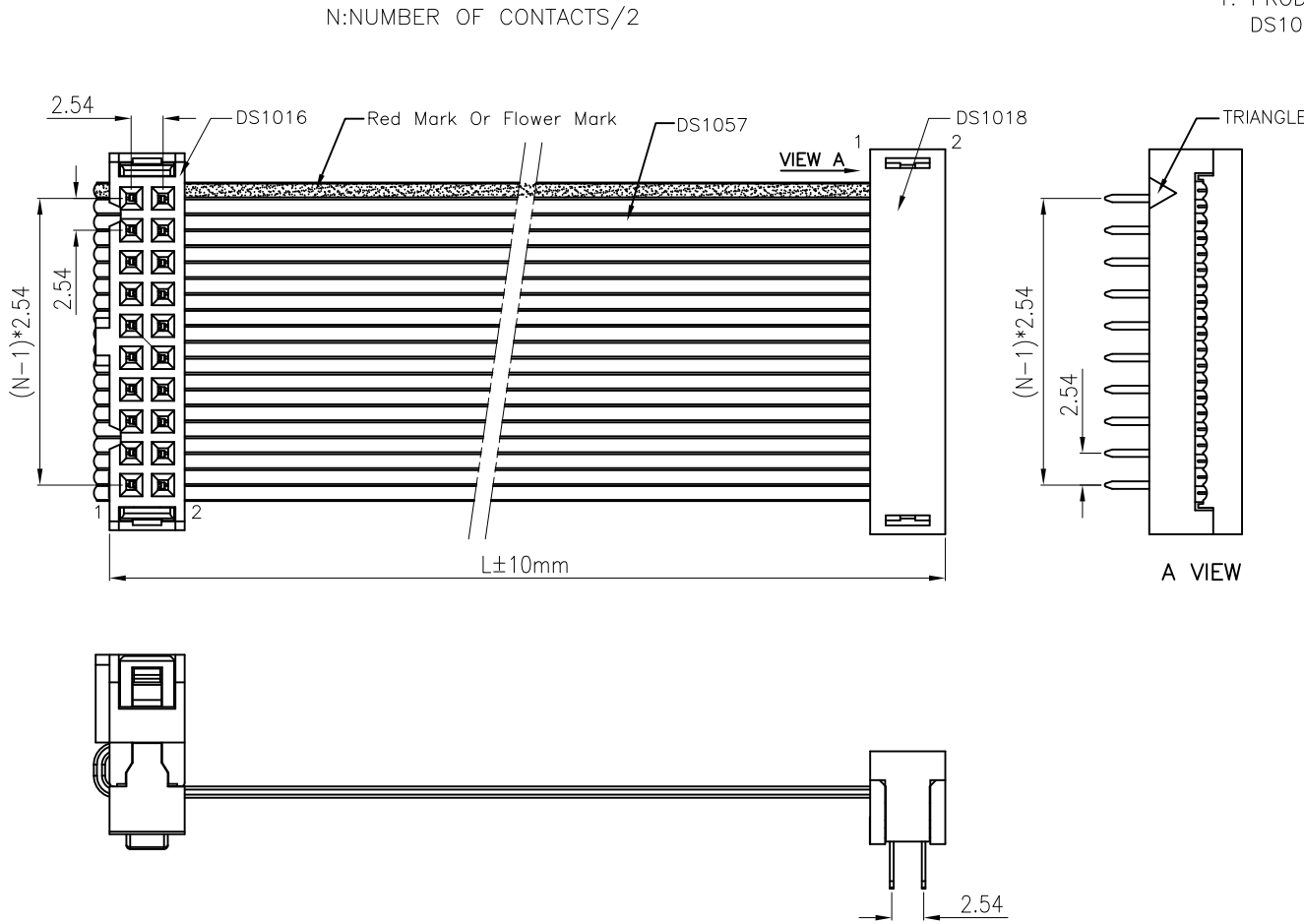


REV.	DESCRIPTION	DRAWN	CHECKED	APPROVED
A	NEW RELEASE	YCH 06/12/07'	~	ljc 06/12/07'
B	更改线长代码	YCH 06/28/13'	~	




1. PRODUCT NUMBER CODE:

DS1052 -XX 1 B X X A X X X

- CABLE STYLE
- 1: TYPE 1
- LENGTH DIM L
- 0114:114mm 0120:120mm
- 0290:290mm 3400:3400mm
- 1500:1500mm 0170:170mm
- 2400:2400mm 0280:280mm
- 0085:85mm 0192:192mm
- 4300:4300mm
- WIRE DIAMETER
- 1:∅0.100 FOLWER MARK
- 2:∅0.127 RED MARK
- 3:∅0.100 RED MARK
- 4:∅0.127 FOLWER MARK
- FLAT CABLE COLOR
- A:GRAY S:DARK GREY
- STRAIN RELIEF
- M:W/
- N:W/O
- CONTACT PLATING
- 2:GOLD+NICKEL
- 0: { DS1016 GOLD+NICKEL  
DS1018 SELECTIVE GOLD FLASH
- 8: { DS1016 GOLD+NICKEL  
DS1018 FULL GOLD FLASH
- Si: { DS1016 SELECTIVE GOLD FLASH  
DS1018 SELECTIVE GOLD FLASH
- HOUSING COLOR
- B:BLACK
- CONNECTOR Q'TY
- 1: 2 CONNECTOR
- (1PCS DS1016 ;1PCS DS1018)
- NO.OF CONTACTS
- 10:10P 20:20P 30:30P 50:50P
- 14:14P 24:24P 34:34P 60:60P
- 16:16P 26:26P 40:40P 64:64P

GENERAL TOLERANCE		ANGLE TOLERANCE	
X.	±15	X.	±3'
.X	±10	.X	±2'
.XX	±5	.XX	±1'
DRAWING TYPE	CUSTOMER		
SCALE	1:1	SHEET	1 OF 1
DRAWING NO.	C-DS1052-XX1XXXXX1		

PROJECTION	TITLE
UNITS	DS1052 (DS1016,DS1018)
SHEET SIZE	SERIES DS1052 SERIES

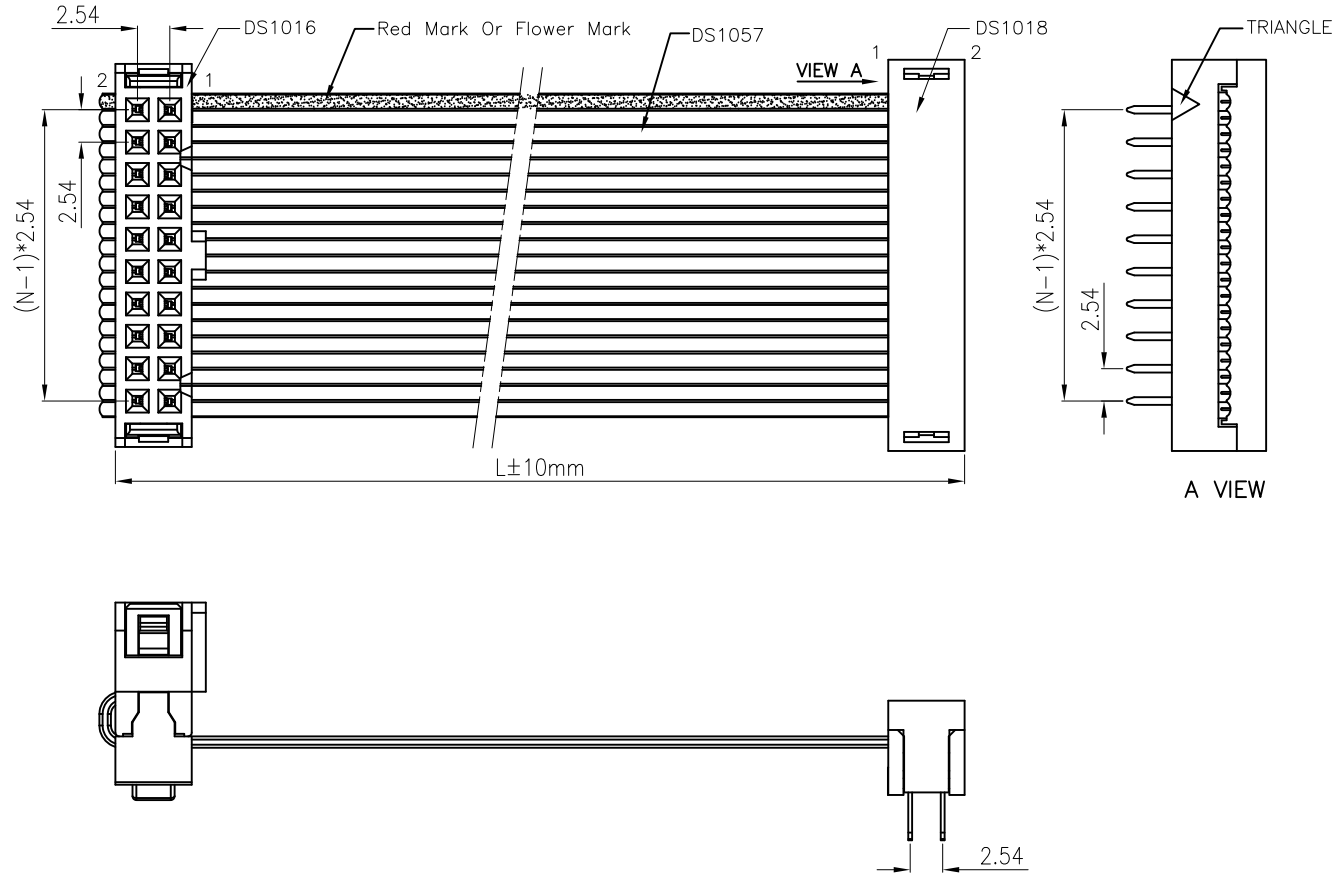
 晨翔电子有限公司  
CONNFLY CONNFLY ELECTRONIC CO. LTD

REV.	DESCRIPTION	DRAWN	CHECKED	APPROVED
A	NEW RELEASE	YCH 06/12/07'	~	ljc 06/12/07'
B	更改线长代码	YCH 06/28/13'	~	

N:NUMBER OF CONTACTS/2

1. PRODUCT NUMBER CODE:

DS1052 -XX 1 B X X A X X X



- CABLE STYLE
- 2: TYPE 2
- LENGTH DIM L
 

0114:114mm	0120:120mm
0290:290mm	3400:3400mm
1500:1500mm	0170:170mm
2400:2400mm	0280:280mm
0085:85mm	0200:200mm
4300:4300mm	
- WIRE DIAMETER
  - 1:∅.100 FOLWER MARK
  - 2:∅.127 RED MARK
  - 3:∅.100 RED MARK
  - 4:∅.127 FOLWER MARK
- FLAT CABLE COLOR
  - A:GRAY S:DARK GREY
- STRAIN RELIEF
  - M:W/
  - N:W/O
- CONTACT PLATING
  - 2:GOLD+NICKEL
  - 0: { DS1016 GOLD+NICKEL  
DS1018 SELECTIVE GOLD FLASH
  - 8: { DS1016 GOLD+NICKEL  
DS1018 FULL GOLD FLASH
  - Si: { DS1016 SELECTIVE GOLD FLASH  
DS1018 SELECTIVE GOLD FLASH
- HOUSING COLOR
  - B:BLACK
- CONNECTOR Q'TY
  - 1: 2 CONNECTOR  
(1PCS DS1016 ;1PCS DS1018)
- NO.OF CONTACTS
 

10:10P	20:20P	30:30P	50:50P
14:14P	24:24P	34:34P	60:60P
16:16P	26:26P	40:40P	64:64P

GENERAL TOLERANCE		ANGLE TOLERANCE		PROJECTION	TITLE
X.	±15	X.	±3'		DS1052 (DS1016,DS1018)
.X	±10	.X	±2'	mm	
.XX	±5	.XX	±1'	SHEET SIZE	A4
DRAWING TYPE	CUSTOMER	SHEET	1 OF 1	SERIES	DS1052 SERIES
SCALE	1:1				
DRAWING NO.	C-DS1052-XX1XXXXXX2				

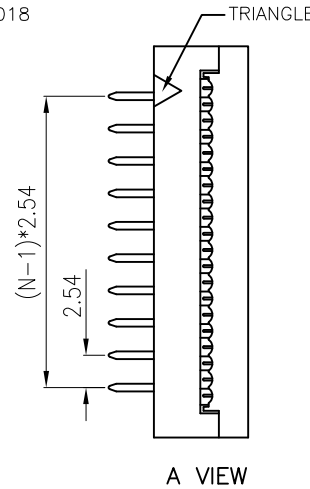
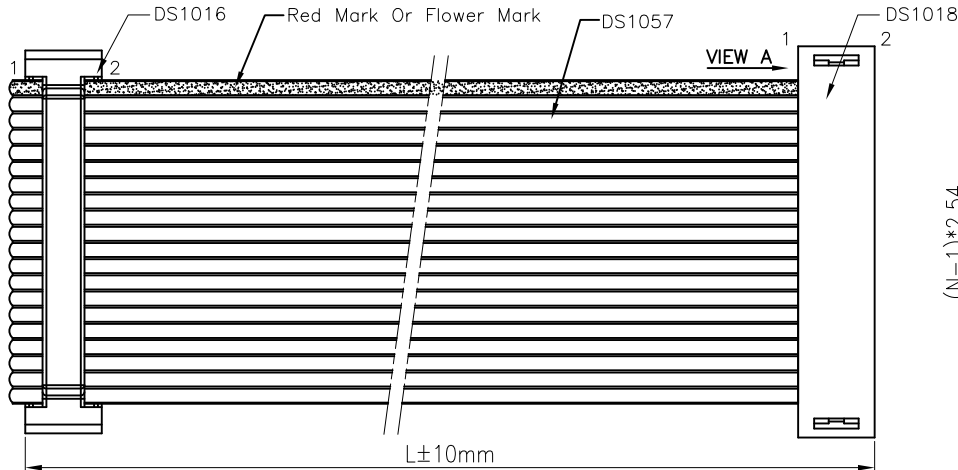
晨翔电子有限公司  
CONNFLY CONNFLY ELECTRONIC CO. LTD

REV.	DESCRIPTION	DRAWN	CHECKED	APPROVED
A	NEW RELEASE	YCH 06/12/07'	~	ljc 06/12/07'
B	更改线长代码	YCH 06/28/13'	~	

N:NUMBER OF CONTACTS/2

1. PRODUCT NUMBER CODE:

DS1052 -XX 1 B X X A X X X



CABLE STYLE  
3: TYPE 3

LENGTH DIM L  
0114:114mm 0120:120mm  
0290:290mm 3400:3400mm  
1500:1500mm 0170:170mm  
2400:2400mm 0280:280mm  
0085:85mm 0130:130mm  
4300:4300mm

WIRE DIAMETER  
1:∅.100 FOLWER MARK  
2:∅.127 RED MARK  
3:∅.100 RED MARK  
4:∅.127 FOLWER MARK

FLAT CABLE COLOR  
A:GRAY S:DARK GREY

STRAIN RELIEF  
M:W/  
N:W/O

CONTACT PLATING  
2:GOLD+NICKEL  
0: { DS1016 GOLD+NICKEL  
      DS1018 SELECTIVE GOLD FLASH  
8: { DS1016 GOLD+NICKEL  
      DS1018 FULL GOLD FLASH  
Si: { DS1016 SELECTIVE GOLD FLASH  
      DS1018 SELECTIVE GOLD FLASH

HOUSING COLOR  
B:BLACK

CONNECTOR Q'TY  
1: 2 CONNECTOR  
(1PCS DS1016 ;1PCS DS1018)

NO.OF CONTACTS  
10:10P 20:20P 30:30P 50:50P  
14:14P 24:24P 34:34P 60:60P  
16:16P 26:26P 40:40P 64:64P

GENERAL TOLERANCE		ANGLE TOLERANCE	
X.	±15	X.	±3'
.X	±10	.X	±2'
.XX	±5	.XX	±1'

PROJECTION		TITLE	DS1052 (DS1016,DS1018)
UNITS	mm	SHEET SIZE	A4
SHEET SIZE	A4	SERIES	DS1052 SERIES

DRAWING TYPE	CUSTOMER		
SCALE	1:1	SHEET	1 OF 1
DRAWING NO.	C-DS1052-XX1XXXXXX3		

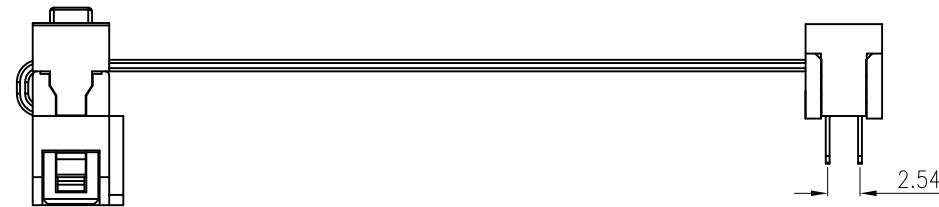
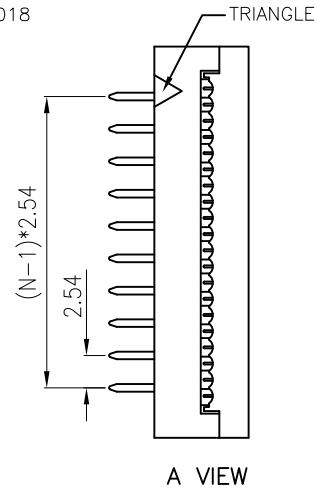
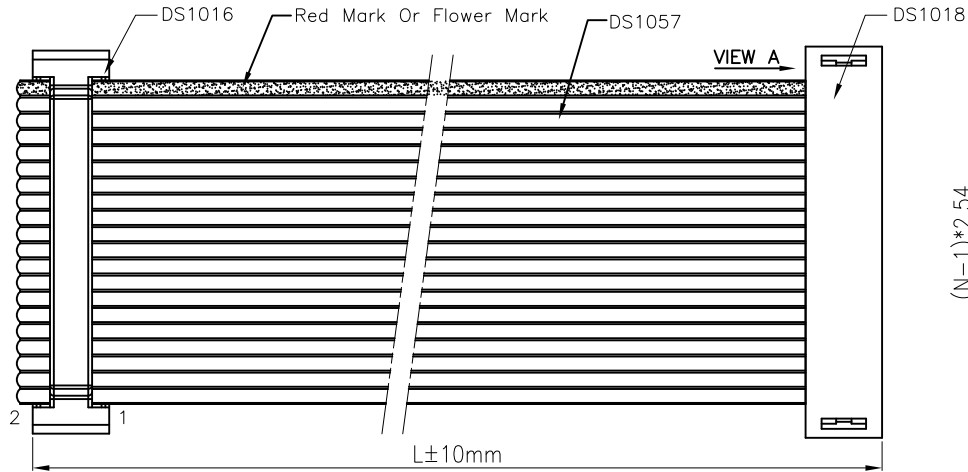
晨翔电子有限公司  
**CONNFLY CONNFLY ELECTRONIC CO. LTD**

REV.	DESCRIPTION	DRAWN	CHECKED	APPROVED
A	NEW RELEASE	YCH 06/12/07'	~	ljc 06/12/07'
B	更改线长代码	YCH 06/28/13'	~	

N:NUMBER OF CONTACTS/2

1. PRODUCT NUMBER CODE:

DS1052 -XX 1 B X X A X X X



CABLE STYLE	
4: TYPE 4	
LENGTH DIM L	
0114:114mm	0120:120mm
0290:290mm	3400:3400mm
1500:1500mm	0170:170mm
2400:2400mm	0280:280mm
0085:85mm	
4300:4300mm	

WIRE DIAMETER	
1:∅.100 FOLWER MARK	
2:∅.127 RED MARK	
3:∅.100 RED MARK	
4:∅.127 FOLWER MARK	

FLAT CABLE COLOR	
A:GRAY S:DARK GREY	

STRAIN RELIEF	
M:W/ N:W/O	

CONTACT PLATING	
2:GOLD+NICKEL	
0: { DS1016 GOLD+NICKEL DS1018 SELECTIVE GOLD FLASH	
8: { DS1016 GOLD+NICKEL DS1018 FULL GOLD FLASH	
S: { DS1016 SELECTIVE GOLD FLASH DS1018 SELECTIVE GOLD FLASH	

HOUSING COLOR	
B:BLACK	

CONNECTOR Q'TY	
1: 2 CONNECTOR (1PCS DS1016 ;1PCS DS1018)	

NO.OF CONTACTS	
10:10P 20:20P 30:30P 50:50P 14:14P 24:24P 34:34P 60:60P 16:16P 26:26P 40:40P 64:64P	

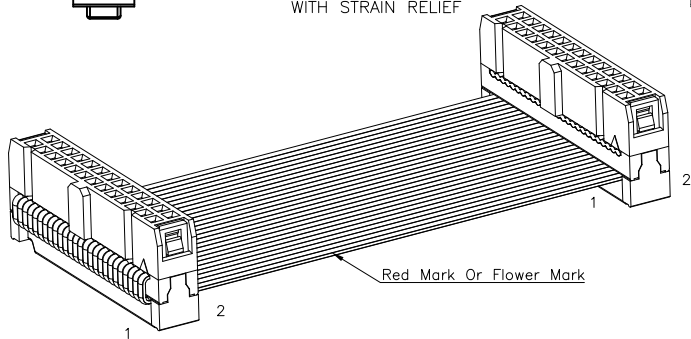
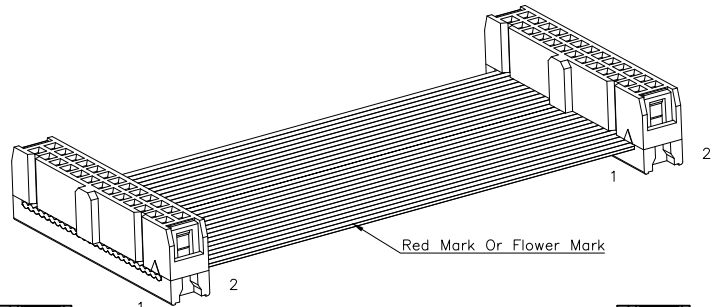
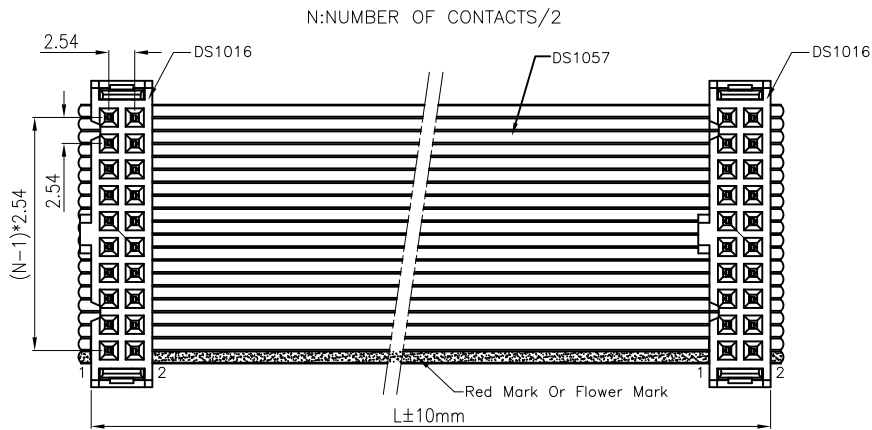
GENERAL TOLERANCE	ANGLE TOLERANCE
X. ±15	X. ±3°
.X ±10	.X ±2°
.XX ±5	.XX ±1°

PROJECTION	
UNITS	mm
SHEET SIZE	A4

TITLE	DS1052 (DS1016,DS1018)
SERIES	DS1052 SERIES

DRAWING TYPE	CUSTOMER		
SCALE	1:1	SHEET	1 OF 1
DRAWING NO.	C-DS1052-XX1XXXXX4		

晨翔电子有限公司  
CONNFLY CONNFLY ELECTRONIC CO. LTD



REV.	DESCRIPTION	DRAWN	CHECKED	APPROVED
A	NEW RELEASE	YCH 06/12/07'	~	LJC 06/12/07'
B	增加端子电镀全镀选项	YCH 11/11/08'	~	LJC 11/11/08'
C	增加胶芯颜色“灰”代码	YCH 07/14/10'	~	LJC 07/14/10'
D	更改线长代码	YCH 06/28/13'	~	

1. PRODUCT NUMBER CODE:

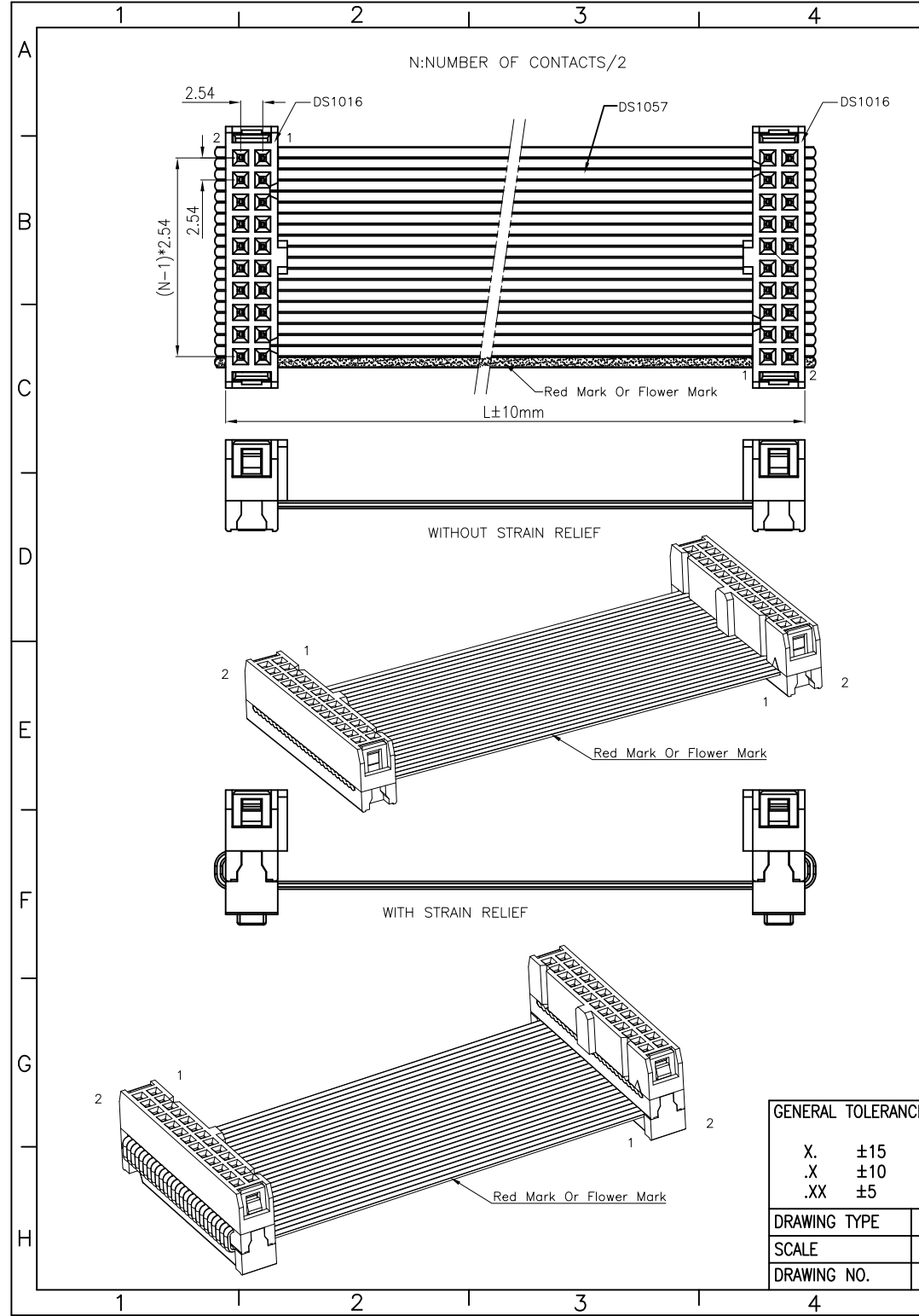
DS1052 -XX 2 B X X A X X X

- CABLE STYLE
- 1: TYPE 1
- LENGTH DIM L
- 0072:72mm 0262:262mm 0150:150mm
- 0100:100mm 0432:432mm 1130:1130mm
- 0171:171mm 0412:412mm 1480:1480mm
- 0200:200mm 0037:37mm 0216:216mm
- 0210:210mm 0112:112mm 0080:80mm
- 0300:300mm 0182:182mm 0120:120mm
- 0610:610mm 0362:362mm 0220:220mm
- 0700:700mm 0422:422mm 1000:1000mm
- 0920:920mm 0350:350mm 5000:5000mm
- 0254:254mm 0085:85mm
- 0290:290mm 0070:70mm
- WIRE DIAMETER
- 1:∅.100 FOLWER MARK
- 2:∅.127 RED MARK
- 3:∅.100 RED MARK
- 4:∅.127 FOLWER MARK
- FLAT CABLE COLOR
- A: GRAY S: DARK GREY
- STRAIN RELIEF
- M: W/
- N: W/O
- CONTACT PLATING
- 2: GOLD+NICKEL
- N: NICKEL
- HOUSING COLOR
- A:GRAY
- B:BLACK
- CONNECTOR Q'TY
- 2: 2 CONNECTOR (2PCS DS1016)
- NO.OF CONTACTS
- 10:10P 30:30P 20:20P 50:50P
- 14:14P 34:34P 24:24P 60:60P
- 16:16P 40:40P 26:26P 64:64P

GENERAL TOLERANCE		ANGLE TOLERANCE	
X.	±15	X.	±3'
.X	±10	.X	±2'
.XX	±5	.XX	±1'
DRAWING TYPE		CUSTOMER	
SCALE		1:1	SHEET 1 OF 1
DRAWING NO.		C-DS1052-XX2XXXXX1	

PROJECTION	TITLE
	DS1052 (2*DS1016)
UNITS	mm
SHEET SIZE	A4
SERIES	DS1052 SERIES

晨翔电子有限公司  
CONFLY CONFLY ELECTRONIC CO. LTD



REV.	DESCRIPTION	DRAWN	CHECKED	APPROVED
A	NEW RELEASE	YCH 06/12/07'	~	LJC 06/12/07'
B	增加端子电镀全镀选项	YCH 11/11/08'	~	LJC 11/11/08'
C	增加胶芯颜色“灰”代码	YCH 07/14/10'	~	LJC 07/14/10'
D	更改线长代码	YCH 06/28/13'	~	

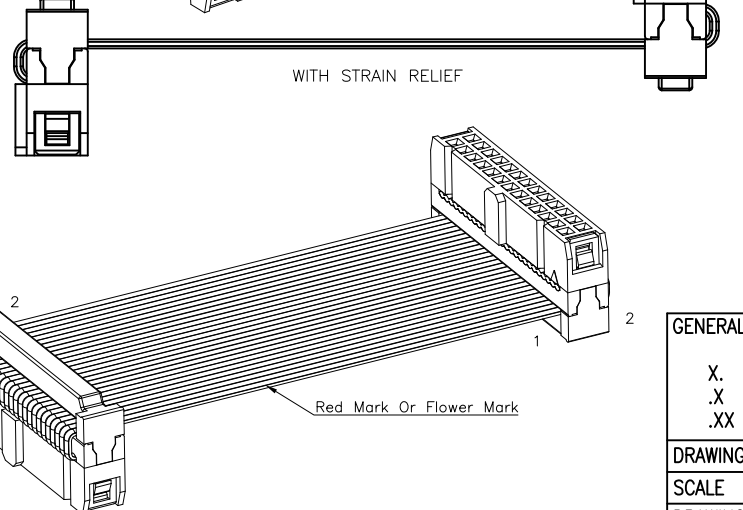
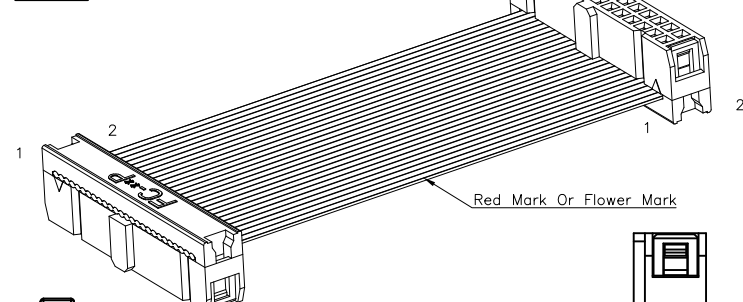
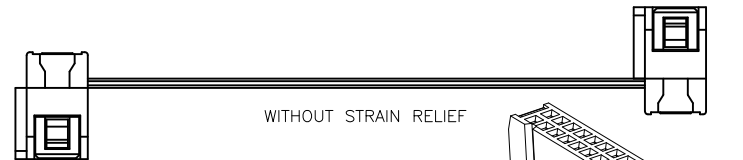
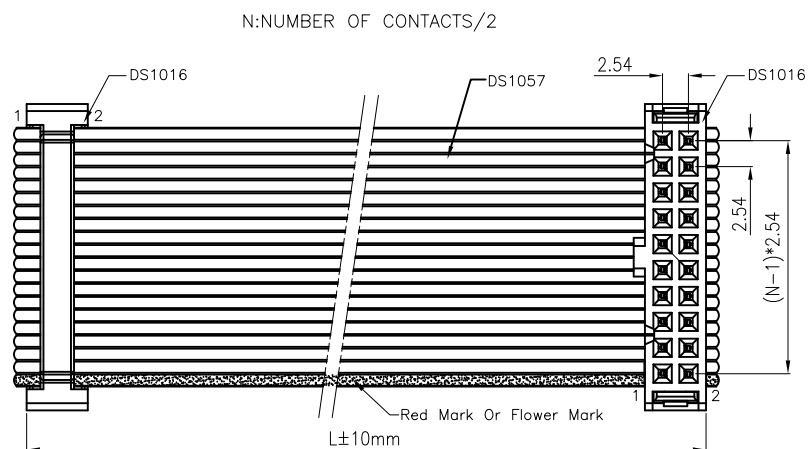
1. PRODUCT NUMBER CODE:

- DS1052 -XX 2 B X X A X X X
- CABLE STYLE
  - 2: TYPE 2
  - LENGTH DIM L
  - 0072:72mm 0254:254mm
  - 0100:100mm 0350:350mm
  - 0171:171mm 0262:262mm
  - 0200:200mm 0432:432mm
  - 0210:210mm 0070:70mm
  - 0300:300mm 0150:150mm
  - 0610:610mm 1130:1130mm
  - 0700:700mm 1480:1480mm
  - 0920:920mm
  - WIRE DIAMETER
  - 1:φ0.100 FOLWER MARK
  - 2:φ0.127 RED MARK
  - 3:φ0.100 RED MARK
  - 4:φ0.127 FOLWER MARK
  - FLAT CABLE COLOR
  - A: GRAY S: DARK GREY
  - STRAIN RELIEF
  - M: W/
  - N: W/O
  - CONTACT PLATING
  - 2: GOLD+NICKEL
  - N: NICKEL
  - HOUSING COLOR
  - A:GRAY
  - B:BLACK
  - CONNECTOR Q'TY
  - 2: 2 CONNECTOR (2PCS DS1016)
  - NO.OF CONTACTS
  - 10:10P 30:30P 20:20P 50:50P
  - 14:14P 34:34P 24:24P 60:60P
  - 16:16P 40:40P 26:26P 64:64P

GENERAL TOLERANCE		ANGLE TOLERANCE	
X.	±15	X.	±3'
.X	±10	.X	±2'
.XX	±5	.XX	±1'
DRAWING TYPE		CUSTOMER	
SCALE	1:1	SHEET	1 OF 1
DRAWING NO.	C-DS1052-XX2XXXXXX2		

PROJECTION		TITLE	DS1052 (2*DS1016)
UNITS	mm	SERIES	DS1052 SERIES
SHEET SIZE	A4		

**晨翔电子有限公司**  
**CONNFLY CONNFLY ELECTRONIC CO. LTD**




REV.	DESCRIPTION	DRAWN	CHECKED	APPROVED
A	NEW RELEASE	YCH 06/12/07'	~	LJC 06/12/07'
B	增加端子电镀全镀选项	YCH 11/11/08'	~	LJC 11/11/08'
C	增加胶芯颜色“灰”代码	YCH 07/14/10'	~	LJC 07/14/10'
D	更改线长代码	YCH 06/28/13'	~	

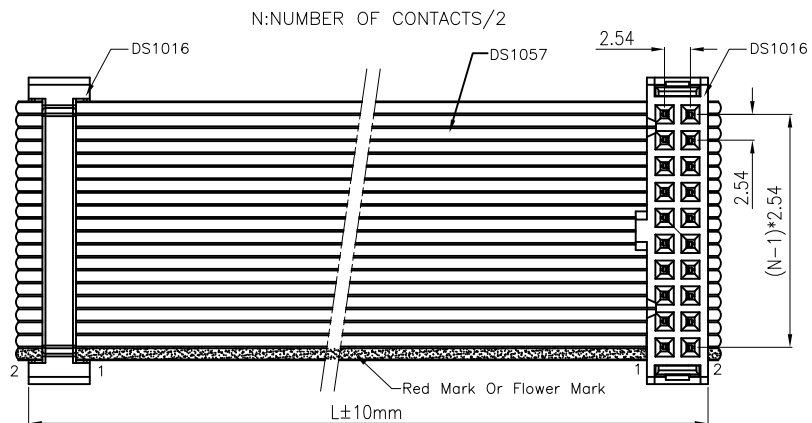
1. PRODUCT NUMBER CODE:

- DS1052 -XX 2 B X X A X X X
- CABLE STYLE
  - 3: TYPE 3
  - LENGTH DIM L
  - 0072:72mm 0254:254mm
  - 0100:100mm 0350:350mm
  - 0171:171mm 0262:262mm
  - 0200:200mm 0432:432mm
  - 0210:210mm \_\_\_\_\_
  - 0300:300mm \_\_\_\_\_
  - 0610:610mm \_\_\_\_\_
  - 0700:700mm \_\_\_\_\_
  - 0920:920mm \_\_\_\_\_
  - WIRE DIAMETER
  - 1:φ0.100 FOLWER MARK
  - 2:φ0.127 RED MARK
  - 3:φ0.100 RED MARK
  - 4:φ0.127 FOLWER MARK
  - FLAT CABLE COLOR
  - A: GRAY S:DARK GREY
  - STRAIN RELIEF
  - M: W/
  - N: W/O
  - CONTACT PLATING
  - 2: GOLD+NICKEL
  - N: NICKEL
  - HOUSING COLOR
  - A:GRAY
  - B:BLACK
  - CONNECTOR Q'TY
  - 2: 2 CONNECTOR (2PCS DS1016)
  - NO.OF CONTACTS
  - 10:10P 30:30P 20:20P 50:50P
  - 14:14P 34:34P 24:24P 60:60P
  - 16:16P 40:40P 26:26P 64:64P

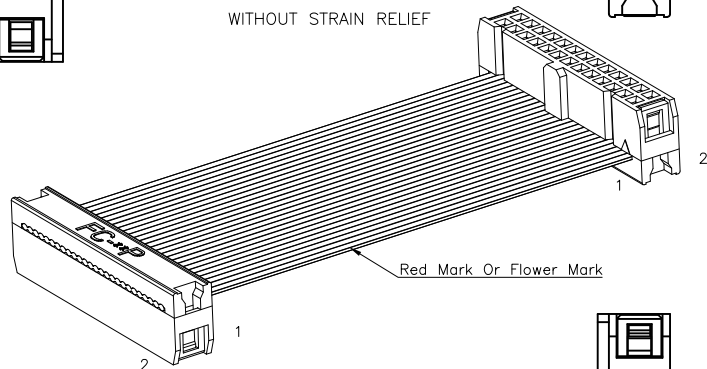
GENERAL TOLERANCE		ANGLE TOLERANCE	
X.	±15	X.	±3'
.X	±10	.X	±2'
.XX	±5	.XX	±1'
DRAWING TYPE	CUSTOMER		
SCALE	1:1	SHEET	1 OF 1
DRAWING NO.	C-DS1052-XX2XXXXXX3		

PROJECTION	TITLE
UNITS	DS1052 (2*DS1016)
SHEET SIZE	SERIES DS1052 SERIES

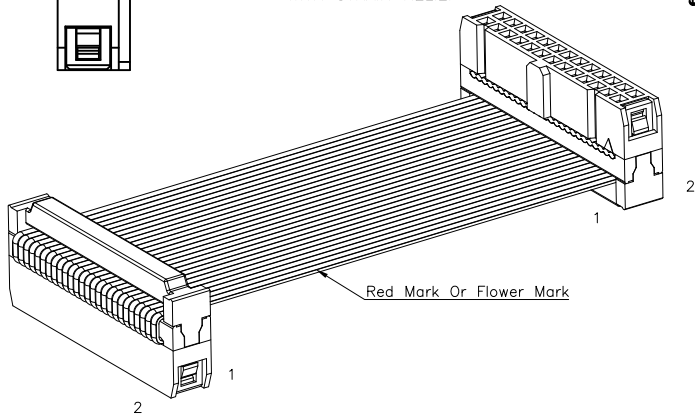

**晨翔电子有限公司**  
**CONFLY CONFLY ELECTRONIC CO. LTD**



WITHOUT STRAIN RELIEF



WITH STRAIN RELIEF



REV.	DESCRIPTION	DRAWN	CHECKED	APPROVED
A	NEW RELEASE	YCH 06/12/07'	~	LJC 06/12/07'
B	增加端子电镀全镀选项	YCH 11/11/08'	~	LJC 11/11/08'
C	增加胶芯颜色“灰”代码	YCH 07/14/10'	~	LJC 07/14/10'
D	更改线长代码	YCH 06/28/13'	~	

1. PRODUCT NUMBER CODE:

DS1052 -XX 2 B X X A X X X

- CABLE STYLE
- 4: TYPE 4
- LENGTH DIM L
- 0072:72mm 0254:254mm
- 0100:100mm 0350:350mm
- 0171:171mm 0262:262mm
- 0200:200mm 0432:432mm
- 0210:210mm 0112:112mm
- 0300:300mm 0512:512mm
- 0610:610mm 0190:190mm
- 0700:700mm \_\_\_\_\_
- 0920:920mm \_\_\_\_\_
- WIRE DIAMETER
- 1:φ0.100 FOLWER MARK
- 2:φ0.127 RED MARK
- 3:φ0.100 RED MARK
- 4:φ0.127 FOLWER MARK
- FLAT CABLE COLOR
- A: GRAY S: DARE GREY
- STRAIN RELIEF
- M: W/
- N: W/O
- CONTACT PLATING
- 2: GOLD+NICKEL
- N: NICKEL
- HOUSING COLOR
- A:GRAY
- B:BLACK
- CONNECTOR Q'TY
- 2: 2 CONNECTOR (2PCS DS1016)
- NO.OF CONTACTS
- 10:10P 30:30P 20:20P 50:50P
- 14:14P 34:34P 24:24P 60:60P
- 16:16P 40:40P 26:26P 64:64P

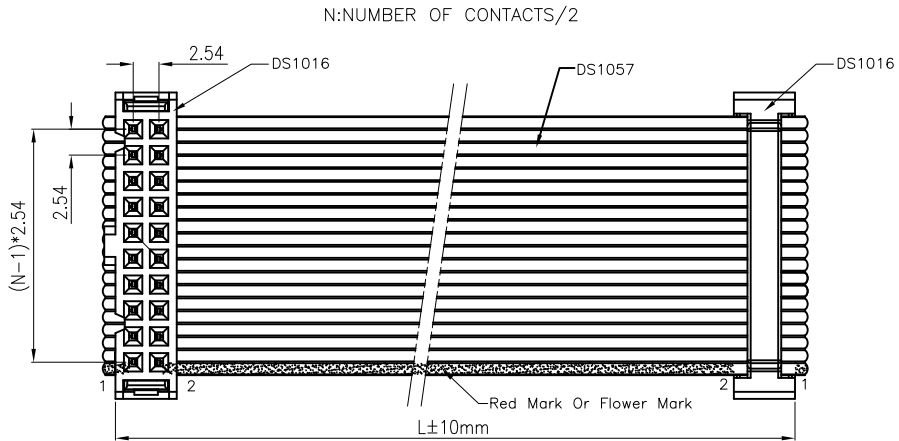
GENERAL TOLERANCE		ANGLE TOLERANCE	
X.	±15	X.	±3'
.X	±10	.X	±2'
.XX	±5	.XX	±1'
DRAWING TYPE		CUSTOMER	
SCALE	1:1	SHEET	1 OF 1
DRAWING NO.	C-DS1052-XX2XXXXX4		

PROJECTION	TITLE
	DS1052 (2*DS1016)
UNITS	mm
SHEET SIZE	A4
SERIES	DS1052 SERIES

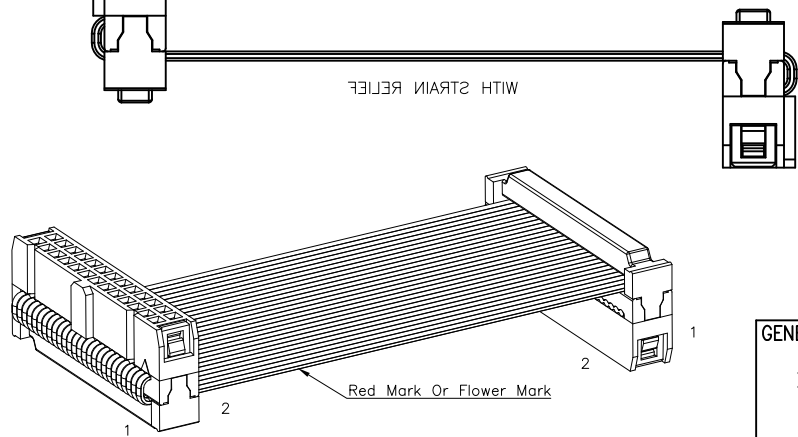
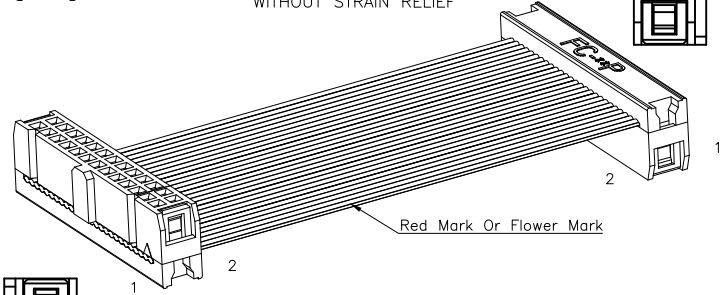
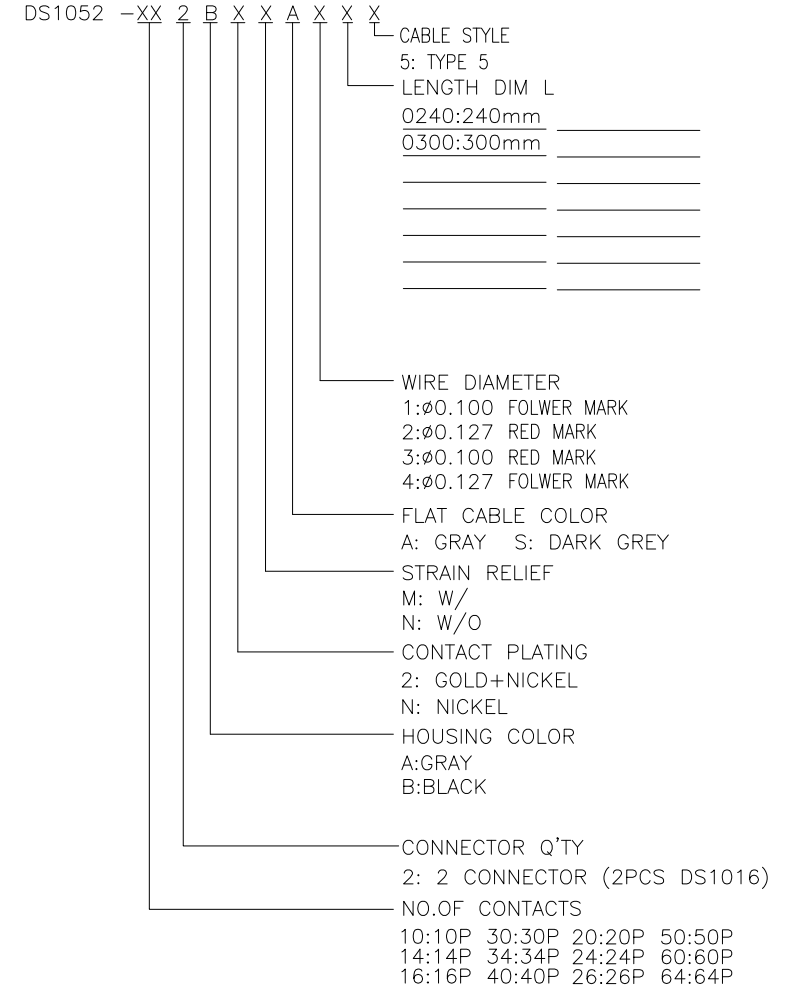
晨翔电子有限公司  
CONFLY CONFLY ELECTRONIC CO. LTD



REV.	DESCRIPTION	DRAWN	CHECKED	APPROVED
A	NEW RELEASE	YCH 06/12/07'	~	LJC 06/12/07'
B	增加端子电镀全镀选项	YCH 11/11/08'	~	LJC 11/11/08'
C	增加胶芯颜色“灰”代码	YCH 07/14/10'	~	LJC 07/14/10'
D	更改线长代码	YCH 06/28/13'	~	



1. PRODUCT NUMBER CODE:



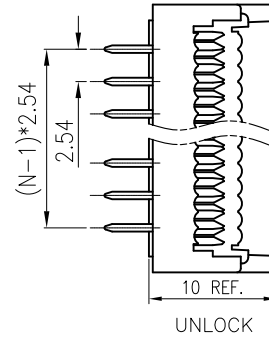
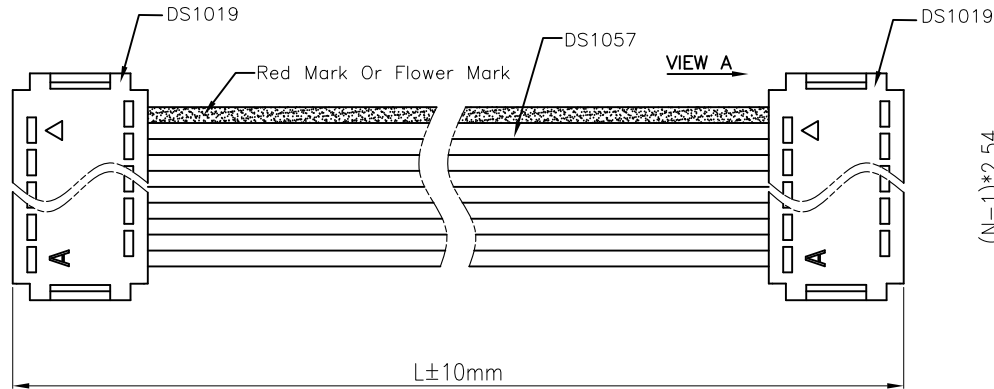
GENERAL TOLERANCE		ANGLE TOLERANCE	
X.	±15	X.	±3'
.X	±10	.X	±2'
.XX	±5	.XX	±1'
DRAWING TYPE		CUSTOMER	
SCALE	1:1	SHEET	1 OF 1
DRAWING NO.	C-DS1052-XX2XXXXXX5		

PROJECTION	TITLE
	DS1052 (2*DS1016)
UNITS	mm
SHEET SIZE	A4
SERIES	DS1052 SERIES

**晨翔电子有限公司**  
**CONNFLY CONNFLY ELECTRONIC CO. LTD**

REV.	DESCRIPTION	DRAWN	CHECKED	APPROVED
A	NEW RELEASE	YCH 06/12/07'	~	ljc 06/12/07'
B	更改线长代码	YCH 06/28/13'	~	

N:NUMBER OF CONTACTS/2



1. PRODUCT NUMBER CODE:

DS1052 -XX 3 B X A X X

LENGTH DIM L  
0125:125mm

WIRE DIAMETER

- 1:∅0.100 FOLWER MARK
- 2:∅0.127 RED MARK
- 3:∅0.100 RED MARK
- 4:∅0.127 FOLWER MARK

FLAT CABLE COLOR

A:GRAY S:DARK GREY

CONTACT PLATING

- 0:SELECTIVE GOLD FLASH
- 2:GOLD+NICKEL
- 8:ALL GOLD FLASH

HOUSING COLOR

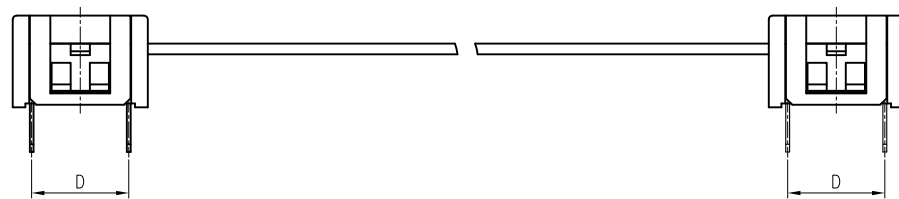
B:BLACK

CONNECTOR Q'TY

3: 2 CONNECTOR (2PCS DS1019)

NO.OF CONTACTS

- 10:10P (Dim D=7.62)
- 14:14P (Dim D=7.62)
- 16:16P (Dim D=7.62)
- 18:18P (Dim D=7.62)
- 20:20P (Dim D=7.62)
- 24:24P (Dim D=15.24)
- 28:28P (Dim D=15.24)
- 40:40P (Dim D=15.24)



GENERAL TOLERANCE

X. ±15  
.X ±10  
.XX ±5

ANGLE TOLERANCE

X. ±3°  
.X ±2°  
.XX ±1°

PROJECTION



TITLE

DS1052 (2\*DS1019)

UNITS

mm

SHEET SIZE

A4

SERIES

DS1052 SERIES

DRAWING TYPE

CUSTOMER

SCALE

1:1

SHEET

1 OF 1

DRAWING NO.

C-DS1052-XX3XXXXX



晨翔电子有限公司

CONFLY CONFLY ELECTRONIC CO. LTD

## X-ON Electronics

Largest Supplier of Electrical and Electronic Components

*Click to view similar products for [Ribbon Cables / IDC Cables](#) category:*

*Click to view products by [Connfly](#) manufacturer:*

Other Similar products are found below :

[AWG28-10G](#) [EHJ4C](#) [cab-LVDV-PWR-10-15](#) [Ribbon Cable, 4 Pin, 350mm](#) [Ribbon Cable, 4 Pin, 700mm](#) [cab-LVDV-DAT-34-15](#) [49635-C62-S2](#) [1-3636-600-5204](#) [ACL-eSSI-2](#) [IDD-04-G](#) [IDD-25-G](#) [3801/09 \(100FT\)](#) [0044716](#) [0044658](#) [0032805](#) [0012842](#) [0012801](#) [0012814](#) [21201](#) [22253](#) [22261](#) [22265](#) [22018](#) [22005](#) [22250](#) [22258](#) [XF-20102003P3](#) [XF-10101502P2](#) [XF-12501502P2](#) [XF-25013004P](#) [XF-25013002P](#) [XF-10101504P](#) [XF-12501504P](#) [XF-39603004P4](#) [XF-20102002P2](#) [CL2542320190BC10E](#) [XF-39603003P3](#) [XF-12501503P](#) [XF-20162002P](#) [XF-12571503P](#) [XF-12571504P](#) [XF-12571503P3](#) [XF-20162003P3](#) [XF-12571502P2](#) [XF-12571502P](#) [XF-25013003P](#) [XF-25013003P3](#) [XF-20102004P4](#) [XF-25013002P2](#) [XF-12501504P4](#)