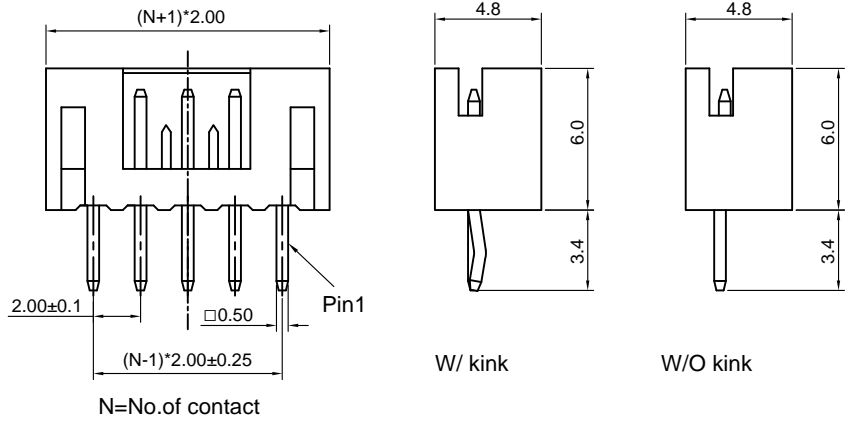


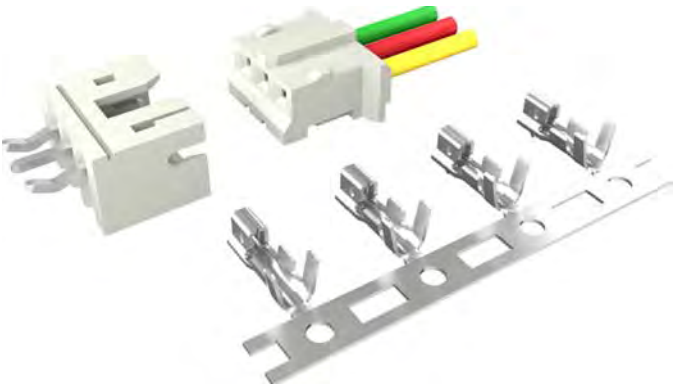
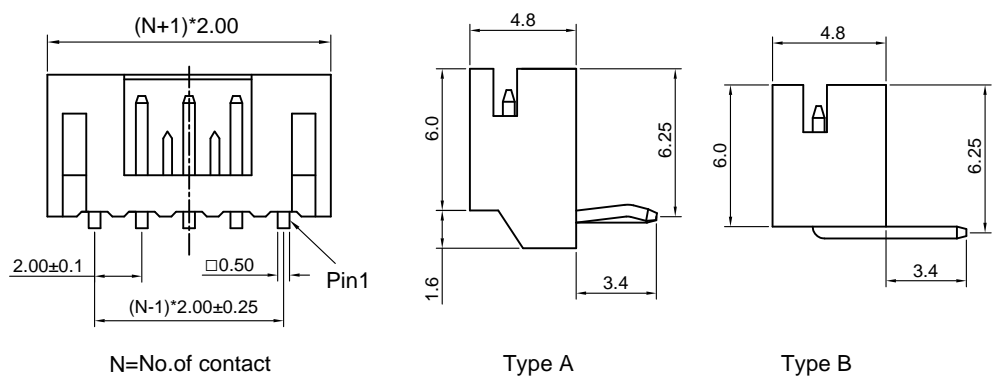
| | |
|------|---|
| Dept | |
| Qty | |
| DC | 1 |
| ED | 1 |
| IE | 1 |
| ISO | 1 |
| PD | 1 |
| R&D | 1 |
| SD | 1 |
| QA | 1 |
| QC | 1 |
| QE | 1 |

The information provided herein is from CONNPLY Electronic Co., Ltd. and is confidential. Any disclosure to a party other than the recipient is prohibited. The intellectual properties and its rights contained herein, including but not limited to, trademarks, patents, copyrights, trade secrets, and technical know-how, are owned exclusively by CONNPLY or its affiliates. Unauthorized use or reproduction of any part of this document is strictly prohibited. CONNPLY may enforce its intellectual property rights at its own discretion, failures or delays to exercise such rights does not constitute a waiver of such rights.

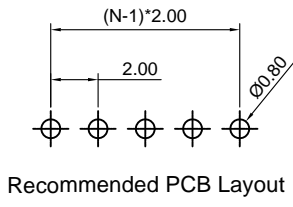
Male V/T type



Male Right Angle



(Series Image-Reference Only)



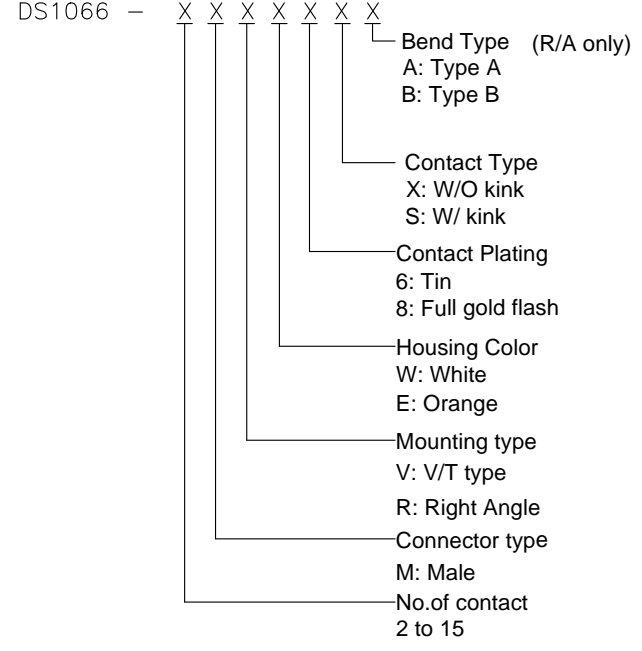
Recommended PCB Layout

| REV. | DESCRIPTION | DRAWN | CHECKED | APPROVED |
|------|----------------|---------------|---------------|---------------|
| A | NEW RELEASE | LJH 05/09/05' | | LJC 05/09/05' |
| B | DRAWING UPDATE | JLZ 06/15/16' | HZW 06/15/16' | LJC 06/15/16' |
| D | DRAWING UPDATE | JLZ 10/15/21' | | |

NOTES:

- Main specifications
 - Housing material: Nylon 66
 - Wire range: AWG#30~#24
 - Rated voltage: 100V
 - Rated current: 2A(24AWG)
 - Contact resistance: 30mΩ Max
 - Insulation resistance: 1000MΩ Min
 - Withstanding voltage: 500V,AC 1 minute
 - Temperature range: -25 ~ +85°C
 - Recommend PC board thickness:1.6mm

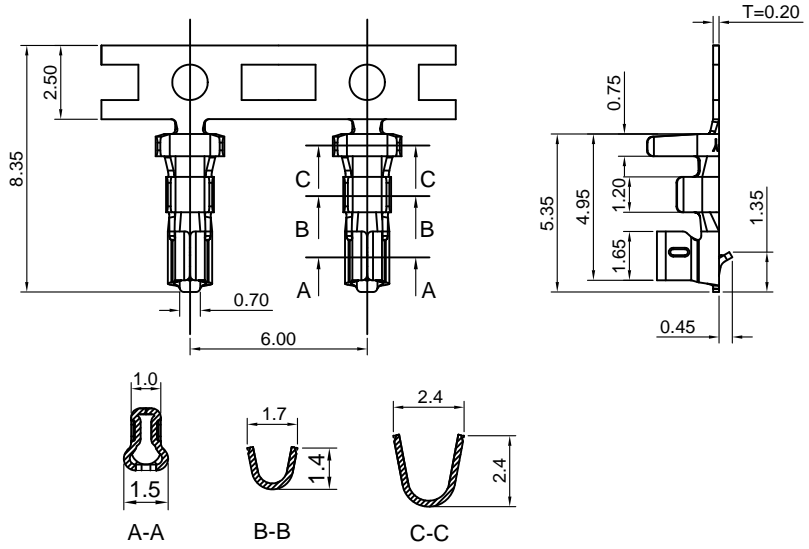
2. Product number code:



| | | | | | | |
|-------------------|--------------------|---|--------|------------|-------------------------------|----------------------|
| GENERAL TOLERANCE | ANGLE TOLERANCE | PROJECTION | | TITLE | P.C.B CONNECTOR 2.0mm PH TYPE | |
| X. ±0.60 | X. ±5° | UNITS | mm | SHEET SIZE | A4 | SERIES DS1066 SERIES |
| .X ±0.38 | .X ±3° | 晨翔电子有限公司 CONNPLY CONNPLY ELECTRONIC CO., LTD | | | | |
| .XX ±0.25 | .XX ±2° | | | | | |
| DRAWING TYPE | CUSTOMER | | | | | |
| SCALE | 1:1 | SHEET | 1 OF 2 | | | |
| DRAWING NO. | C-DS1066-XXXXXXX-D | | | | | |

The information provided herein is from CONNELY Electronic Co., Ltd. and is confidential. Any disclosure to a party other than the recipient is prohibited. The intellectual properties and its rights contained herein, including but not limited to, trademarks, patents, copyrights, trade secrets, and technical know-how, are owned exclusively by CONNELY or its affiliates. Unauthorized use or reproduction of any part of this document is strictly prohibited. CONNELY may enforce its intellectual property rights at its own discretion, failures or delays to exercise such rights does not constitute a waiver of such rights.

Female Terminal



| REV. | DESCRIPTION | DRAWN | CHECKED | APPROVED |
|------|----------------|---------------|---------------|---------------|
| A | NEW RELEASE | LJH 05/09/05' | | LJC 05/09/05' |
| B | DRAWING UPDATE | JLZ 06/15/16' | HZW 06/15/16' | LJC 06/15/16' |
| D | DRAWING UPDATE | JLZ 10/15/21' | | |

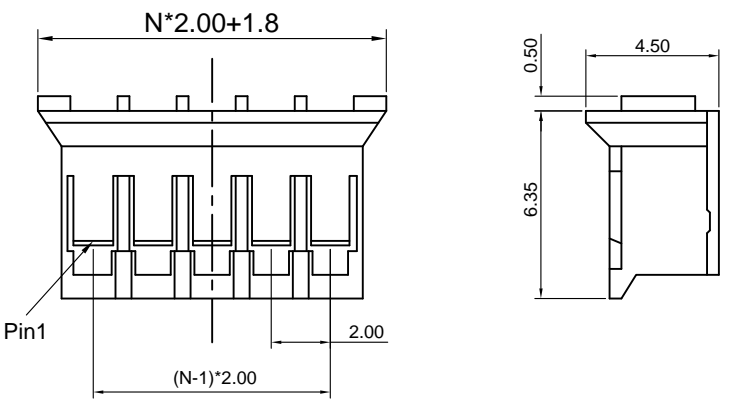
NOTES:

- Main specifications
 - Housing material: Nylon 66
 - Wire range: AWG#30~#24
 - Rated voltage: 100V
 - Rated current: 2A(24AWG)
 - Contact resistance: 30mΩ Max
 - Insulation resistance: 1000MΩ Min
 - Withstanding voltage: 500V,AC 1 minute
 - Temperature range: -25 ~ +85°C
 - Recommend PC board thickness:1.6mm
- Product number code:

T-DS1066-S C X 0 0

Contact Plating
6: Tin

Female Housing N=No.of Hole

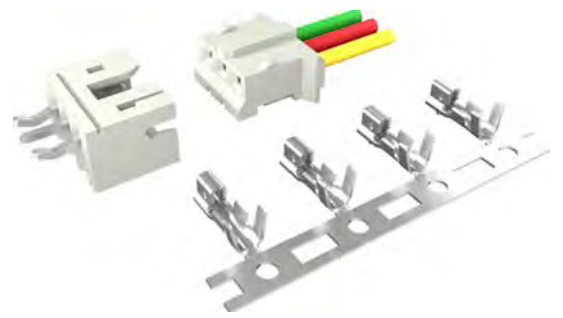


Female Terminal

| Wire Range | | O.D of Wire |
|--------------------------------|-------|-------------|
| Section Area (mm) ² | AWG# | mm |
| 0.05-0.22 | 30-24 | 0.9-1.5 |

I-DS1066-S C X 0 X

No.of Hole
02~15
Color of Housing
E: Orange
W: White



(Series Image-Reference Only)

| GENERAL TOLERANCE | | ANGLE TOLERANCE | | PROJECTION | TITLE |
|-------------------|-------|--------------------|-------|------------|-------------------------------|
| X. | ±0.60 | X. | ±5° | | P.C.B CONNECTOR 2.0mm PH TYPE |
| .X | ±0.38 | .X | ±3° | UNITS | mm |
| .XX | ±0.25 | .XX | ±2° | SHEET SIZE | A4 |
| DRAWING TYPE | | CUSTOMER | | SERIES | DS1066 SERIES |
| SCALE | | 1:1 | SHEET | 2 OF 2 | |
| DRAWING NO. | | C-DS1066-XXXXXXX-C | | | |

晨翔电子有限公司
CONNFLY ELECTRONIC CO., LTD

X-ON Electronics

Largest Supplier of Electrical and Electronic Components

Click to view similar products for [Headers & Wire Housings](#) category:

Click to view products by [Connfly](#) manufacturer:

Other Similar products are found below :

[0015917161](#) [0022155065](#) [57102-F02-18ULF](#) [58102-G61-06LF](#) [582553-1](#) [01.001.5753.1](#) [0050291907](#) [02.125.8002.8](#) [609-3404](#) [61062-3](#)
[CSU011177004](#) [622-0430](#) [622-3653LF](#) [63453-116](#) [636-1030](#) [636-1427](#) [636-3427](#) [636-4007](#) [641938-9](#) [65495-038](#) [65692-001LF](#) [65781-018](#)
[65781-047](#) [65817-010LF](#) [65817-015LF](#) [67095-007LF](#) [67601157](#) [68631-112](#) [68645-018](#) [699319-000](#) [70.362.1628.0](#) [70-4210](#) [70-4226B](#) [70-](#)
[4853B](#) [71.350.2428.0](#) [733-134](#) [733-162](#) [760-3052](#) [MHR-64-VUAL](#) [80.063.4001.1](#) [800-90-001-10-001000](#) [801-43-002-10-013000](#)
[801-43-006-10-002000](#) [803-43-024-10-001000](#) [803-93-012-10-001000](#) [8-1437020-4](#) [819-22-004-30-001101](#) [820-22-006-30-001101](#)
[820-22-008-30-001101](#) [821-22-002-10-001101](#)