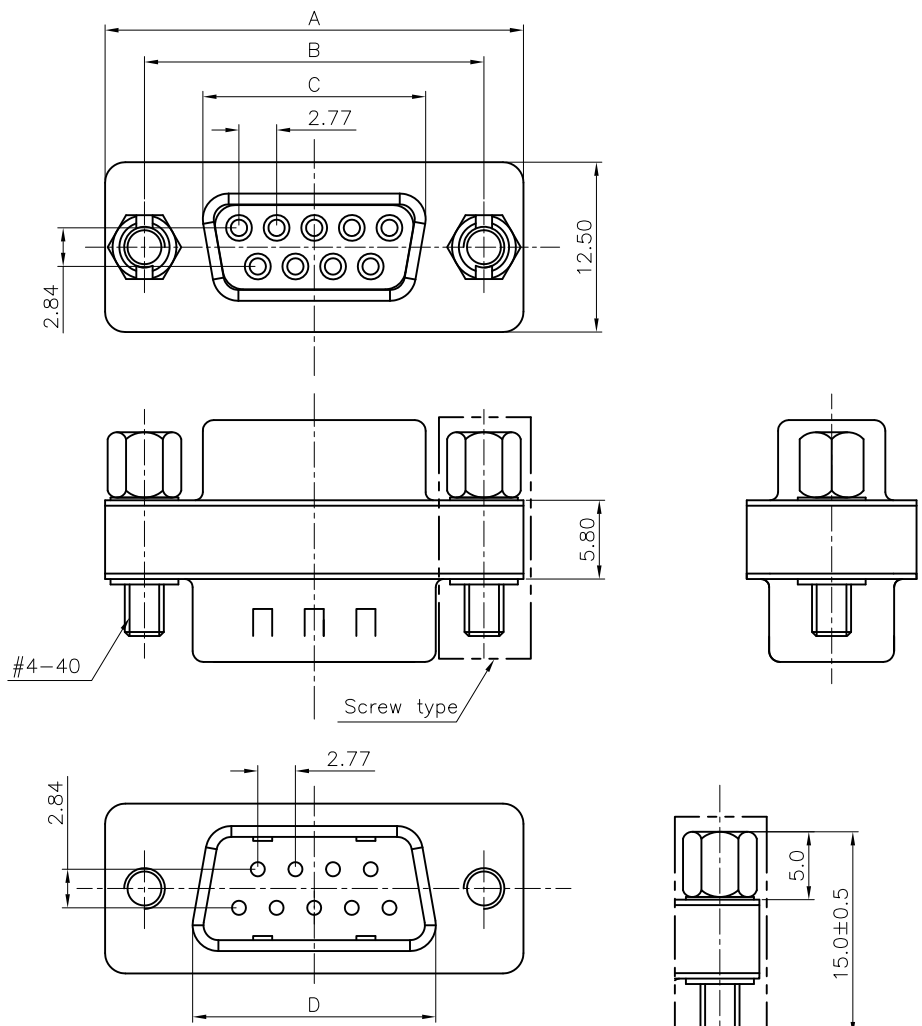


The information provided herein is from CONNELY Electronic Co., Ltd. and is confidential. Any disclosure to a party other than the recipient is prohibited. The intellectual properties and its rights contained herein, including but not limited to, trademarks, patents, copyrights, trade secrets, and technical know-how, are owned exclusively by CONNELY or its affiliates. Unauthorized use of this information in any format or manner. CONNELY may enforce its intellectual property rights at its own discretion; failures or delays to exercise such rights does not constitute a waiver of such rights.

1 2 3 4 5 6 7 8

REV.	DESCRIPTION	DRAWN	CHECKED	APPROVED
A	NEW RELEASE	LL 10/09/06'		LJC 10/09/06'
B	DRAWING UPDATE	JLZ 08/21/18'		



- NOTES:
- SPECIFICATION:
 - Current Rating: 1.5A.
 - Insulation Resistance: 1000MΩ min.
 - Dielectric Withstanding: 500V for One minute.
 - Contact resistance: 50mΩ max.
 - Operating Temperature: -40°C to +105°C
 - MATERIALS
 - Housing: Thermoplastic(UL94 V-0).
 - Contact: Copper alloy.
 - Shell: Steel.
 - Product Number code:
 - DS1082-02 - X X X X X

- X X X X X
 - Screw type
 - CC: CC type
 - DS: DS type
 - Shell plating
 - N: All Nickel
 - 6: All Tin
 - Housing color
 - B: black
 - L: blue
 - Contact plating
 - 8: Full gold flash
 - Connector type
 - 9F: 9Female & 9Female
 - 9M: 9Mlae & 9Female
 - 9P: 9Mlae & 9Male
 - 15F: 15Female & 15Female
 - 15M: 15Mlae & 15Female
 - 15P: 15Mlae & 15Male
 - 25F: 25Female & 25Female
 - 25M: 25Mlae & 25Female
 - 25P: 25Mlae & 25Male
 - 37F: 37Female & 37Female
 - 37M: 37Mlae & 37Female
 - 37P: 37Mlae & 37Male

Dimension

Position	A±0.2	B±0.2	C±0.2	D±0.2
9	30.80	24.99	16.33	17.90
15	39.14	33.32	24.66	26.50
25	53.04	47.04	38.38	40.00
37	69.32	63.50	54.84	56.50

GENERAL TOLERANCE	ANGLE TOLERANCE	PROJECTION		TITLE
X. ±0.60	X. ±5°	UNITS	mm	D-SUB ADAPTOR
.X ±0.38	.X ±3°	SHEET SIZE	A4	
.XX ±0.25	.XX ±2°			SERIES DS1082-02 SERIES
DRAWING TYPE	CUSTOMER			
SCALE	1:1	SHEET	1 OF 1	
DRAWING NO.	C-DS1082-02-XXXXX-B			

晨翔电子有限公司
CONNELY CONNELY ELECTRONIC CO. LTD

1 2 3 4 5 6 7 8

X-ON Electronics

Largest Supplier of Electrical and Electronic Components

Click to view similar products for [Connfly](#) manufacturer:

Other Similar products are found below :

[DS1015-06-04R6SR](#) [DS1031-03-1*3P8BS-3-1-1](#) [DS1058-60M28-30.5](#) [DS1137-01-02FW88R](#) [DS1037-25FNAKT74-0CC](#) [DS1018-162BX](#)
[DS1057-60A282R-76.5](#) [DS1025-02-1x8P8BR1-B](#) [DS1016-10MANBG](#) [DS1024-2x4R2](#) [DS1023-1x14SF11](#) [DS1023-1x6SF11](#) [DS1002-03-2x8131](#) [DS1033-01-MBN81](#) [DS1065-08-2*5S8BV](#) [DS1020-18RT1D](#) [DS1093-01-PN60](#) [DS1035-15MUNSiSS](#) [DS1011-20RBSiB7-B](#)
[DS1021-1x20SF11-B](#) [DS1021-1x14SF11-B](#) [DS1040-05RN](#) [DS1020-30-04VB6XR](#) [DS1009-24AT1NS-0A2](#) [DS1009-32AT1WX-0A2](#)
[DS1016-16MANBB](#) [DS1015-34NN0A](#) [DS1128-S80BP](#) [DS1133-S60APX](#) [DS1057-01-64A282R-30.5](#) [DS1110-27-9BU8](#) [DS1021-2x23SF11-B](#) [DS1040-12RN](#) [DS1021-2x9SF11-B](#) [DS1045-09AP1S1-A](#) [DS1133-09-S2B8PS](#) [DS1020-12-16VBT1AXR](#) [DS1015-10MN2A](#) [DS1015-10NN2A](#) [DS1016-14MA2BB](#) [DS1042-25YYRX25010](#) [DS1042-24YYRX25010](#) [DS1018-142BX](#) [DS1021-1x26SF11-B](#) [DS1011-10SBSiB7-B](#)
[DS1021-1x24SF11-B](#) [DS1024-1x40R2](#) [DS1021-2x16SF11-B](#) [DS1017-20MA2B](#) [DS1016-06MA2BB](#)