

REV.	DESCRIPTION	DRAWN	CHECKED	APPROVED
A	NEW RELEASE	HP 21/06/05	~	LJC 21/06/05
B	整理图面	YCH 09/17/07	~	LJC 09/17/07
C	DRAWING UPDATE	JLZ 07/01/17'	~	

NOTES:

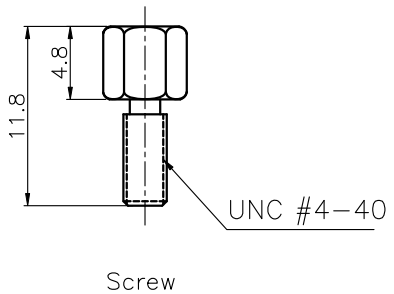
1. SPECIFICATIONS

- . Contact Resistance: 30mΩ max
- . Insulation Resistance: 1000MΩ min.
- . Current Rating: 1A
- . Dielectric withstanding voltage: AC 500V For 1 minute
- . Contact: Copper alloy.
- . Housing: Thermoplastic(UL 94V-0)

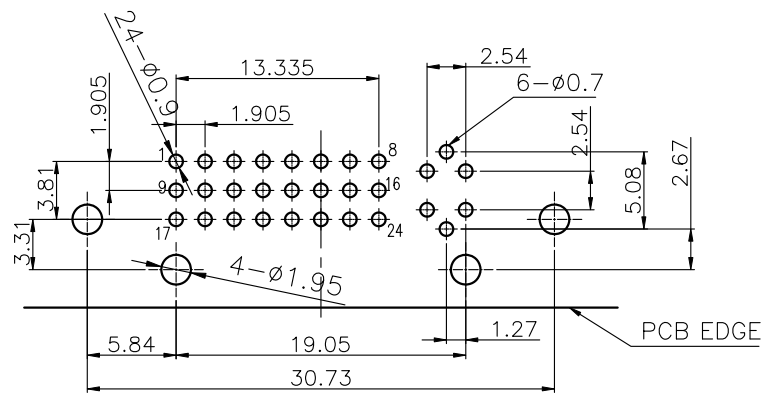
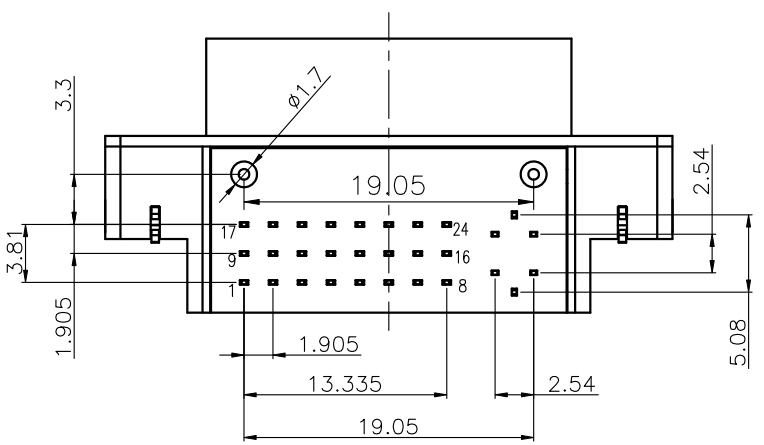
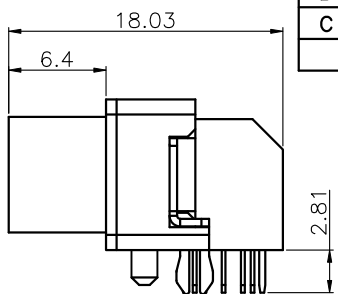
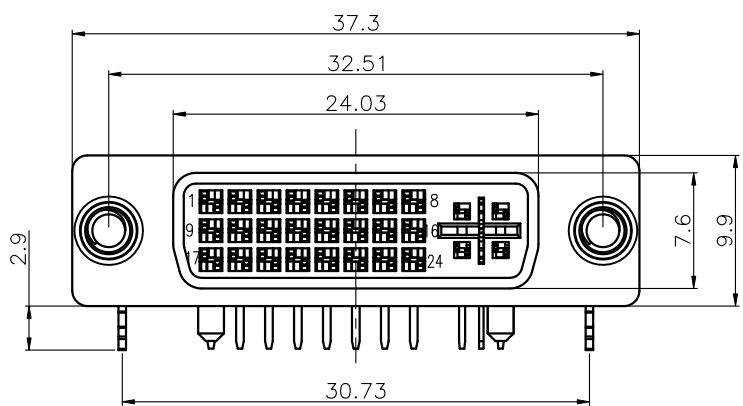
2. PRODUCT NUMBER CODE:

DS1091 - X X X X

- Screw type
- X: W/O screw
- S: W/ #4-40(UNC) screw
- D: Rivet Type With Screw In Bulk Package
- Contact plating
- 0: Selective gold flash
- Shell plating
- N: Nickel
- 6: Tin
- Color of housing
- W: WHITE
- B: BLACK
- V: Ivory



Screw



RECOMMEND PCB LAYOUT(TOLERANCE=±0.05)

GENERAL TOLERANCE	ANGLE TOLERANCE
X. ±0.60	X. ±5°
.X ±0.38	.X ±3°
.XX ±0.25	.XX ±2°

PROJECTION	TITLE
UNITS	DVI PLUG WITH RIGHT ANGLE 24+5(JDR-245)
SHEET SIZE	SERIES DS1091

DRAWING TYPE	CUSTOMER
SCALE	1:1 SHEET 1 OF 1
DRAWING NO.	C-DS1091-XXXX-C

晨翔电子有限公司
CONNFLY CONNFLY ELECTRONIC CO. LTD

X-ON Electronics

Largest Supplier of Electrical and Electronic Components

Click to view similar products for [Circular DIN Connectors](#) category:

Click to view products by [Connfly](#) manufacturer:

Other Similar products are found below :

[M83723/76W22326](#) [M83723/78R22327](#) [D38999/26FE99SN L/C](#) [75-069228-21J](#) [7519021610P](#) [75-190224-28S](#) [75-474014-07L](#)

[803000A09M040](#) [FGG.1K.314.CLAK75](#) [FRCIR030FP-28-21S](#) [FRCIR030RFP-40A-38P-F80](#) [FRCIR06F-40A-38S-F80](#) [FRCIR06R-14S-6S](#)

[88-569723-03P](#) [88-569735-06P](#) [88-569769-19P](#) [88-569785-06I](#) [8R3006A18M0033](#) [GTC00G-24-7S](#) [PT05A-14-18SW\(023\)](#) [PT05A-14-5SX](#)

[PT05A1832SW](#) [PT05A2041SX](#) [GTC030-20-27PW-LC](#) [GTC030A-20-33S](#) [GTC06R20-22P-025-LC](#) [1211290078](#) [1211810025](#) [ACC06AF-](#)

[20-23P\(003\)](#) [1210503216](#) [1211290084](#) [ACS06AF-16-10P\(003\)](#) [D38999/40FB35AN](#) [D38999/40FB35BB](#) [D38999/40WB35BN](#)

[D38999/40WD35PN](#) [D38999/40WJ29SN-L/C](#) [D38999/40WJ4BN](#) [D38999/42FB35BN](#) [D38999/42WB35AB](#) [D38999/42WB35PB-L/C](#)

[D38999/42WJ19AN](#) [D38999/44WH21AN](#) [D38999/44WH35AN](#) [D38999/44WJ29BA](#) [D38999/44WJ35PN](#) [D38999/44WJ61BA](#)

[D38999/46WF32PN-L/C](#) [D38999/46WF32PN\(LESS CONT](#) [12DL6MX](#)