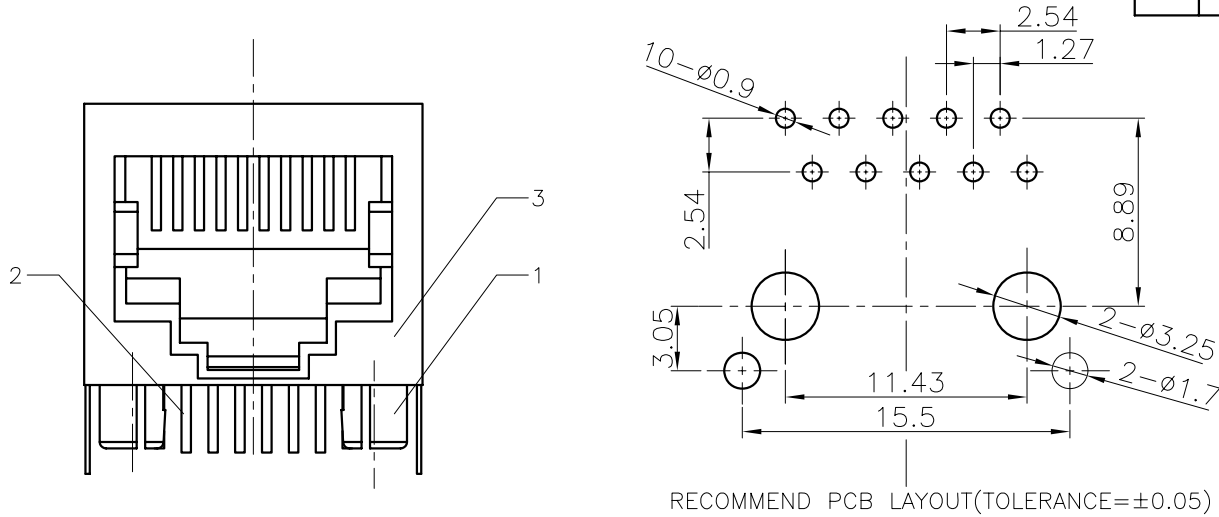
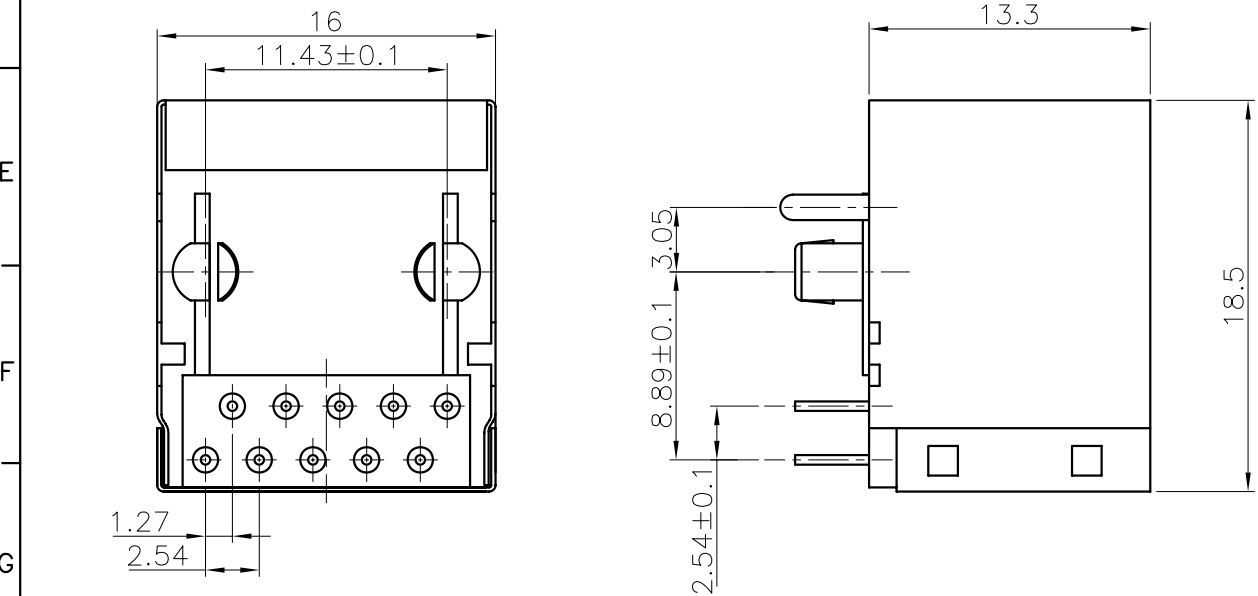
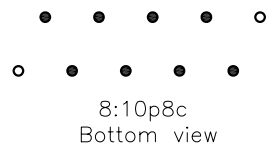


| REV. | DESCRIPTION | DRAWN | CHECKED | APPROVED |
|------|-------------|---------------|---------|----------|
| A | NEW RELEASE | LJH 03/26/06' | | |



SPECIFICATION

- Insulation Resistance:1000MΩ Min.
 - Withstand Voltage:500V AC/Minute.
 - Durability:600 Mating Cycles Min.
 - Product Number Code:
DS1127 - X X X X X
- Housing Materials
P:PBT
N:NYLON
 - Housing Color
B:Black
 - Contact Plating
0:Gold Flash
3:Selective 3u" Gold
(6;15;30)Micro Inch
 - No.Of Contacts
8:10p8c 6:10p6c 10:10p10c
 - Connector Type
S:Socket
 - Series No.
DS1127




| | | | | |
|-----|-----------|------|-----------------|--------------------|
| (3) | SHIELDING | 1 | COPPER ALLOY | 0.20mm THICKNESS |
| (2) | PIN | | PHOSPHOR BRONZE | GOLD-PLATING |
| (1) | HOUSING | 1 | PBT OR NYLON | UL94 V-0 OR 94 V-2 |
| No. | PART NAME | Q'TY | MATERAIL | REMARK |

| GENERAL TOLERANCE | | ANGLE TOLERANCE | |
|-------------------|-------|-----------------|-----|
| X. | ±0.60 | X. | ±5° |
| .X | ±0.38 | .X | ±3° |
| .XX | ±0.25 | .XX | ±2° |

| DRAWING TYPE | CUSTOMER | | |
|--------------|---------------|-------|--------|
| SCALE | 1:1 | SHEET | 1 OF 1 |
| DRAWING NO. | C-DS1127-XXXX | | |

| PROJECTION | TITLE |
|------------|---------------------|
| UNITS | PCB JACK 10P |
| SHEET SIZE | SERIES DS1127 ERIES |


晨翔电子有限公司
CONNFLY CONNFLY ELECTRONIC CO. LTD

X-ON Electronics

Largest Supplier of Electrical and Electronic Components

Click to view similar products for [Modular Connectors](#) / [Ethernet Connectors](#) category:

Click to view products by [Connfly](#) manufacturer:

Other Similar products are found below :

[8949-H88/06BLKA/SN](#) [74441-0010/BKN](#) [PHP-6P6C-5](#) [GAX-3-66](#) [GAX-8-62](#) [GDCX-PN-66](#) [GLX-A-44](#) [GLX-N-1010M-BLK](#) [GMX-SMT4-N-88](#) [GSGX-N-2-88](#) [GSGX-N-4-88](#) [GSX-NS2-88-3.05](#) [GSX-NS-88-3.68](#) [PT-108A-8C-UL](#) [PTS-J531-8CS-50UL](#) [A-2014-0-4](#) [GWLX-S9-88-YG](#) [DC-1021-8-WH-6](#) [1300530003](#) [1324640-4](#) [RJ11FTVC2G](#) [RJ11FTVC2N](#) [RJFTVX2SA1G](#) [132764-001](#) [1413235](#) [MPS88RX-5000](#) [E5288-S000K3-L](#) [155302-001](#) [AX101050](#) [AX101063](#) [AX101065](#) [AX101072](#) [AX101307](#) [AX101314](#) [AX101315](#) [AX101318](#) [AX102271](#) [AX102288](#) [AX102651](#) [AX102660](#) [J0012D21NL](#) [J0026D01ENL](#) [PC4D0018P](#) [8949-B88/6](#) [2-6609208-5](#) [937-SP-3088-2PC-A192](#) [303066VFL](#) [303068V](#) [303088LFLSA](#) [303088SBL](#)