

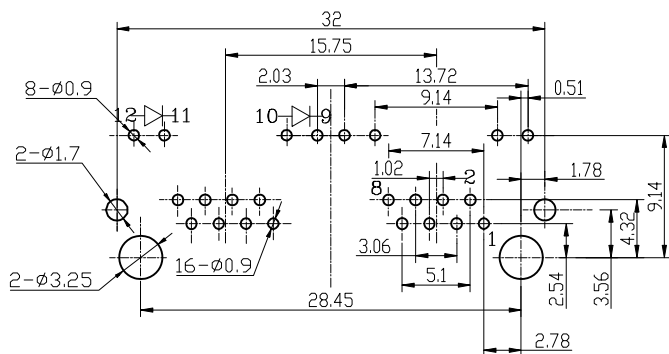
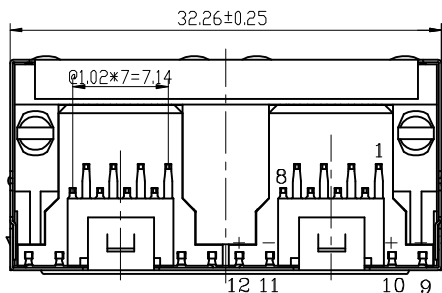
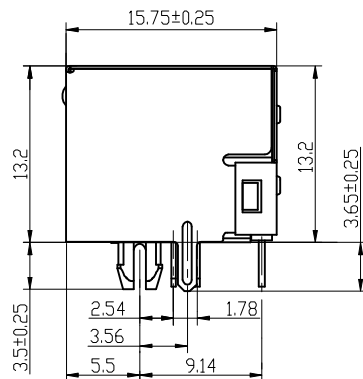
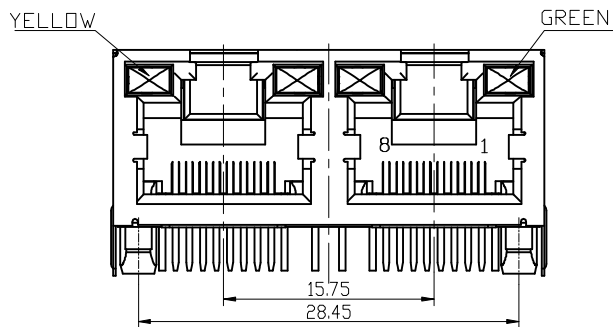
| REV. | DESCRIPTION | DRAWN | CHECKED | APPROVED |
|------|-------------|---------------|---------|----------|
| A | NEW RELEASE | JLZ 06/06/16' | ~ | |

NOTES:

- ELECTRICAL CHARACTERISTICS:
 - CONTACT RESISTANCE: 20mΩ Max.
 - DIELECTRIC WITHSTANDING VOLTAGE: 500V AC(rms) FOR 1 MINUTE.
 - INSULATION RESISTANCE: 1000MΩ Min.
 - VOLTAGE RATING:125V.
 - CURRENT RATING:1.5A.
- ENVIRONMENT CHARACTERISTICS:
 - TEMPERATURE: -40°C~+85°C.
- MATERIALS
 - CONTACT MATERIAL: COPPER ALLOY.
 - CONTACT PLATING: SELECTIVE GOLD.
 - INSULATOR MATERIALS: PBT BLACK.
- PRODUCT NUMBER CODE:

DS1134-07-X X X X X - X

- Shell Type
S:W/ Shrapnel
X:W/O Shrapnel
- Housing Materials
P:PBT
- Contact Plating
0:Seclective Gold Flash
- Housing Color
B:Black
- No.Of Contacts
8:8p8c
- Connector Type
S:Socket



PC BOARD LAYOUT
THICKNESS=1.6mm

| GENERAL TOLERANCE | | ANGLE TOLERANCE | |
|-------------------|-------|-----------------|-----|
| X. | ±0.60 | X. | ±5° |
| .X | ±0.38 | .X | ±3° |
| .XX | ±0.25 | .XX | ±2° |

| PROJECTION | TITLE |
|------------|--|
| | PCB Jack 8 Positions 1*2 Port W/ Shell 3.56mm WITH LED Type |
| UNITS | mm |
| SHEET SIZE | A4 |
| SERIES | DS1129-04 SERIES |

| DRAWING TYPE | CUSTOMER | | |
|--------------|---------------------|-------|--------|
| SCALE | 1:1 | SHEET | 1 OF 1 |
| DRAWING NO. | C-DS1129-04-XXXXX-A | | |

晨翔电子有限公司
CONNFLY CONNFLY ELECTRONIC CO. LTD

X-ON Electronics

Largest Supplier of Electrical and Electronic Components

Click to view similar products for [Modular Connectors / Ethernet Connectors](#) category:

Click to view products by [Connfly](#) manufacturer:

Other Similar products are found below :

[8949-H88/06BLKA/SN](#) [74441-0010/BKN](#) [PHP-6P6C-5](#) [GAX-3-66](#) [GAX-8-62](#) [GDCX-PN-66](#) [GLX-A-44](#) [GLX-N-1010M-BLK](#) [GMX-SMT4-N-88](#) [GSGX-N-2-88](#) [GSGX-N-4-88](#) [GSX-NS2-88-3.05](#) [GSX-NS-88-3.68](#) [PT-108A-8C-UL](#) [PTS-J531-8CS-50UL](#) [1-1775629-2](#) [A-2014-0-4](#) [GWLX-S9-88-YG](#) [DC-1021-8-WH-6](#) [1300530003](#) [1324640-4](#) [RJ11FTVC2G](#) [RJ11FTVC2N](#) [RJFTVX2SA1G](#) [132764-001](#) [1413235](#) [MPS88RX-5000](#) [E5288-S000K3-L](#) [155302-001](#) [AX101050](#) [AX101063](#) [AX101065](#) [AX101072](#) [AX101307](#) [AX101314](#) [AX101315](#) [AX101318](#) [AX102271](#) [AX102288](#) [AX102651](#) [AX102660](#) [HXJ5EOR](#) [J0012D21NL](#) [J0026D01ENL](#) [PC4D0018P](#) [8949-B88/6](#) [2-6609208-5](#) [937-SP-3088-2PC-A192](#) [303066VFL](#) [303068V](#)