

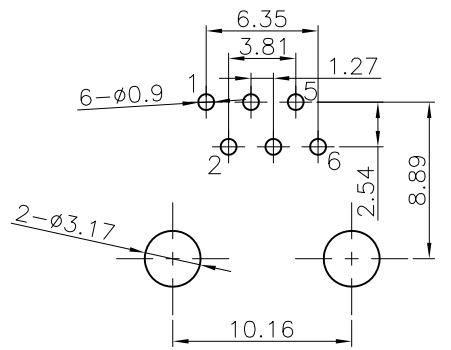
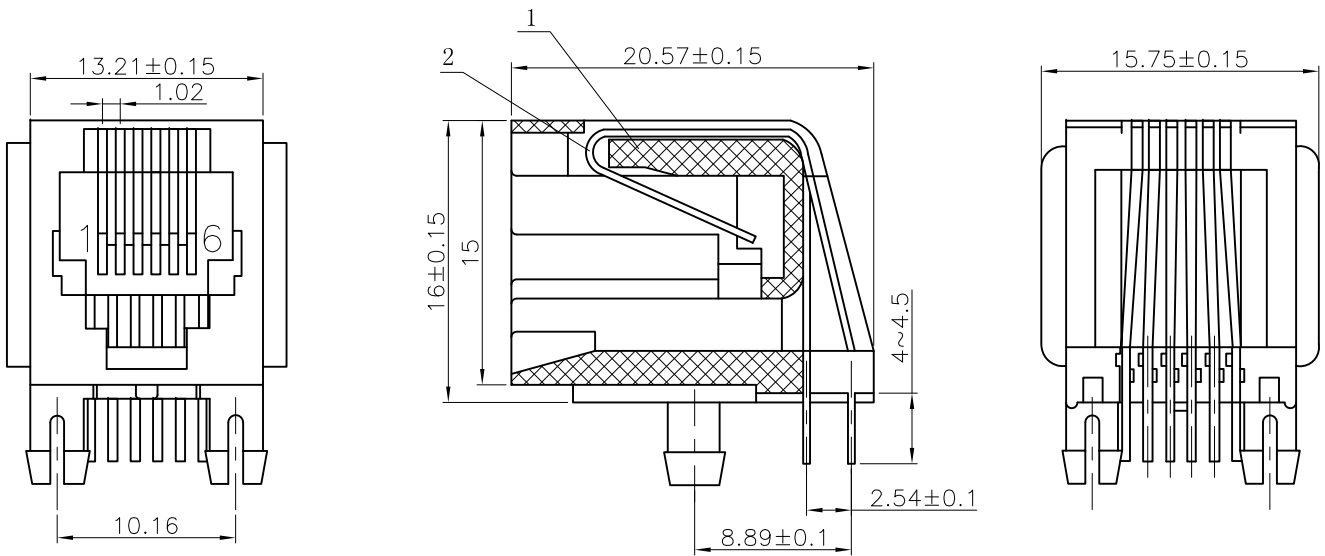
REV.	DESCRIPTION	DRAWN	CHECKED	APPROVED
A	NEW RELEASE	LL 06/26/06'		LJC 06/26/06'
B	PLATING CHANGE	JLZ 07/20/15'	HZW 07/20/15'	LJC 07/20/15'

SPECIFICATION

- Insulation Resistance:1000MΩ Min.
- Withstand Voltage:500V AC/Minute.
- Durability:600 Mating Cycles Min.
- Product Number Code:

DS1133-01-X X X X X X

- Ear Support  
S:W/ Ear  
X:W/O Ear
- Housing Materials  
P:PBT  
N:NYLON
- Housing Color  
B:Black
- Contact Plating  
0:Selective gold flash ②  
3:3u" Gold  
6:6u" Gold  
15:15u" Gold  
30:30u" Gold
- No.Of Contacts  
4:6P4C  
6:6P6C
- Connector Type  
S:Socket
- Series No.  
DS1133-01



RECOMMEND PCB LAYOUT  
TOLERANCE=±0.05mm

GENERAL TOLERANCE		ANGLE TOLERANCE	
X.	±0.60	X.	±5°
.X	±0.38	.X	±3°
.XX	±0.25	.XX	±2°

PROJECTION	TITLE	PCB JACK 6P	
	mm		
SHEET SIZE	A4	SERIES	DS1133-01 SERIES

No.	PART NAME	Q'TY	MATERAIL	REMARK
(2)	PIN		PHOSPHOR BRONZE	GOLD-PLATING OVER NICKEL
(1)	HOUSING	1	PBT OR NYLON	UL94 V-0 OR 94 V-2

DRAWING TYPE	CUSTOMER		
SCALE	1:1	SHEET	1 OF 1
DRAWING NO.	C-DS1133-01-XXXXXX-B		

晨翔电子有限公司  
**CONNFLY CONNFLY ELECTRONIC CO. LTD**

## X-ON Electronics

Largest Supplier of Electrical and Electronic Components

*Click to view similar products for [Modular Connectors](#) / [Ethernet Connectors](#) category:*

*Click to view products by [Connfly](#) manufacturer:*

Other Similar products are found below :

[8949-H88/06BLKA/SN](#) [74441-0010/BKN](#) [PHP-6P6C-5](#) [GAX-3-66](#) [GAX-8-62](#) [GDCX-PN-66](#) [GLX-A-44](#) [GLX-N-1010M-BLK](#) [GMX-SMT4-N-88](#) [GSGX-N-2-88](#) [GSGX-N-4-88](#) [GSX-NS2-88-3.05](#) [GSX-NS-88-3.68](#) [PT-108A-8C-UL](#) [PTS-J531-8CS-50UL](#) [1-1775629-2](#) [A-2014-0-4](#) [GWLX-S9-88-YG](#) [DC-1021-8-WH-6](#) [1300530003](#) [1324640-4](#) [RJ11FTVC2G](#) [RJ11FTVC2N](#) [RJFTVX2SA1G](#) [132764-001](#) [1413235](#) [MPS88RX-5000](#) [E5288-S000K3-L](#) [155302-001](#) [AX101050](#) [AX101063](#) [AX101065](#) [AX101072](#) [AX101307](#) [AX101314](#) [AX101315](#) [AX101318](#) [AX102271](#) [AX102288](#) [AX102651](#) [AX102660](#) [HXJ5EOR](#) [J0012D21NL](#) [J0026D01ENL](#) [PC4D0018P](#) [8949-B88/6](#) [2-6609208-5](#) [937-SP-3088-2PC-A192](#) [303066VFL](#) [303068V](#)