

REV.	DESCRIPTION	DRAWN	CHECKED	APPROVED
A	NEW RELEASE	JLZ 10/10/14'	HZW 10/10/14'	LJC 10/10/14'
B	DRAWING UPDATE	JLZ 05/09/16'	HZW 05/09/16'	LJC 05/09/16'

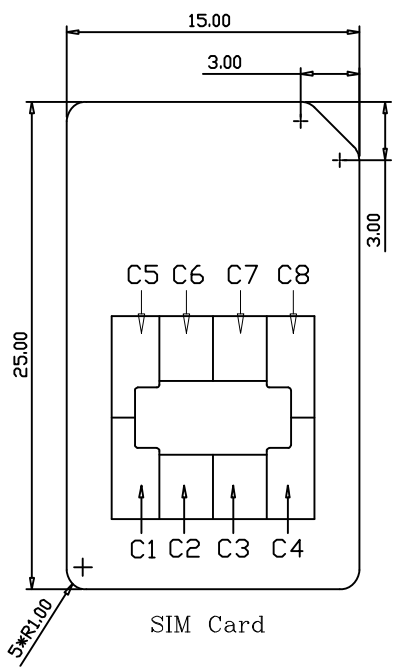
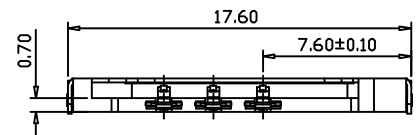
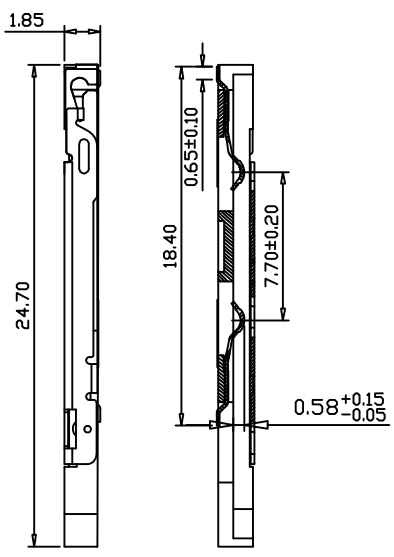
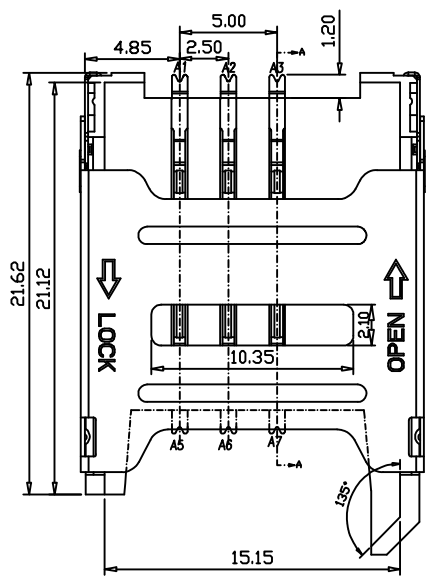
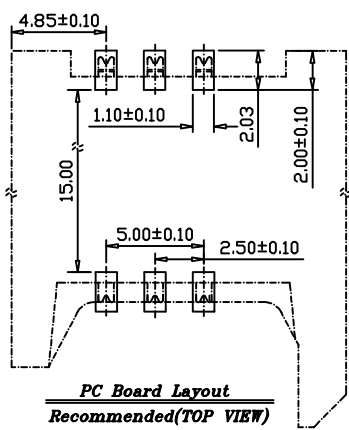
Notes:

- 1.Material:
 - 1.1. Housing: High Temperature LCP UL 94V-0, Color of Black
 - 1.2. Contact: Copper Alloy
 - 1.3. Shell: Stainless Steel
- 2.Finish:
 - 2.1. Contact Area: Gold over Nickel
 - 2.2. Solder Area: Tin.
- 3.Speciality: :
 - 3.1. Current Rating: 1.0A
 - 3.2. Voltage Rating: 30V AC/DC
 - 3.3. Contact Resistance: 100mΩ Max.
 - 3.4. Insulation Resistance: 100MΩ Min.
 - 3.5. Withstanding Voltage: 100V AC.
 - 3.6. Temperature Rated: -40° C TO +105° C,
4. Product Number Code:

DS1138-06 - XX X X X X X X

- XX X X X X X X
- Packing Type
R: Tape On Reel
- Shell Plating
S: Stainless
- Housing Color
B: Black
- Contact Plating
4: Selective 3u" gold
- Mounting Type
S: SMT type
- Connector Type
S: Socket
- NO. Of Contacts
06:6Pin


PIN NO.	PIN NAME
A1	VCC
A2	RST
A3	CLK
A4	Reserved
A5	GND
A6	VPP
A7	I/O
A8	Reserved



GENERAL TOLERANCE		ANGLE TOLERANCE	
X.	±0.60	X.	±5°
.X	±0.38	.X	±3°
.XX	±0.25	.XX	±2°

PROJECTION	TITLE
UNITS	2.54mm SIM Card H=1.8mm 6 Positions SMT Type
SHEET SIZE	A4
SERIES	DS1138-06 SERIES

DRAWING TYPE	CUSTOMER
SCALE	1:1 SHEET 1 OF 1
DRAWING NO.	C-DS1138-06-XXXXXXX-B


晨翔电子有限公司
CONNFLY® CONNFLY ELECTRONIC CO., LTD

X-ON Electronics

Largest Supplier of Electrical and Electronic Components

Click to view similar products for [Standard Card Edge Connectors](#) category:

Click to view products by [Connfly](#) manufacturer:

Other Similar products are found below :

[CR7E-30DB-3.96E\(72\)](#) [6364499-1](#) [6565204-6](#) [147889-1](#) [EBT15622B2X](#) [1-582587-1](#) [284-0102-12100](#) [286-0052-12101A](#) [306022901000000](#)
[307-012-502-202](#) [307-056-520-300](#) [A6D22DS29C2](#) [1926088-2](#) [2129318-1](#) [287-0032-12101](#) [345-060-559-303](#) [392-008-559-201](#) [534671-1](#)
[341-240-317](#) [345-044-500-300](#) [346-240-318](#) [387-012-523-300](#) [395-100-524-300](#) [09-07-2032](#) [10035388-802LF](#) [10115859-011LF](#) [10122859-](#)
[009LF](#) [101269333204245CLF](#) [530555-1](#) [66925-516LF](#) [5145409-2](#) [73726-0005](#) [66308-1](#) [5036A30](#) [PEC-07-02-T-S-A](#) [346-014-520-801](#)
[KSLX-62-BR](#) [307-048-502-202](#) [CE100F26-7-C](#) [CE100F28-3-D](#) [CE100F28-4-D](#) [CE156F18-9-C](#) [CE156F22-5-D](#) [CE156F22-9-C](#) [CT100F22-](#)
[2-D](#) [CT100F22-3-D](#) [CT100F24-2-D](#) [CT100F24-3-D](#) [CT100F24-6-C](#) [CT156F22-4-D](#)