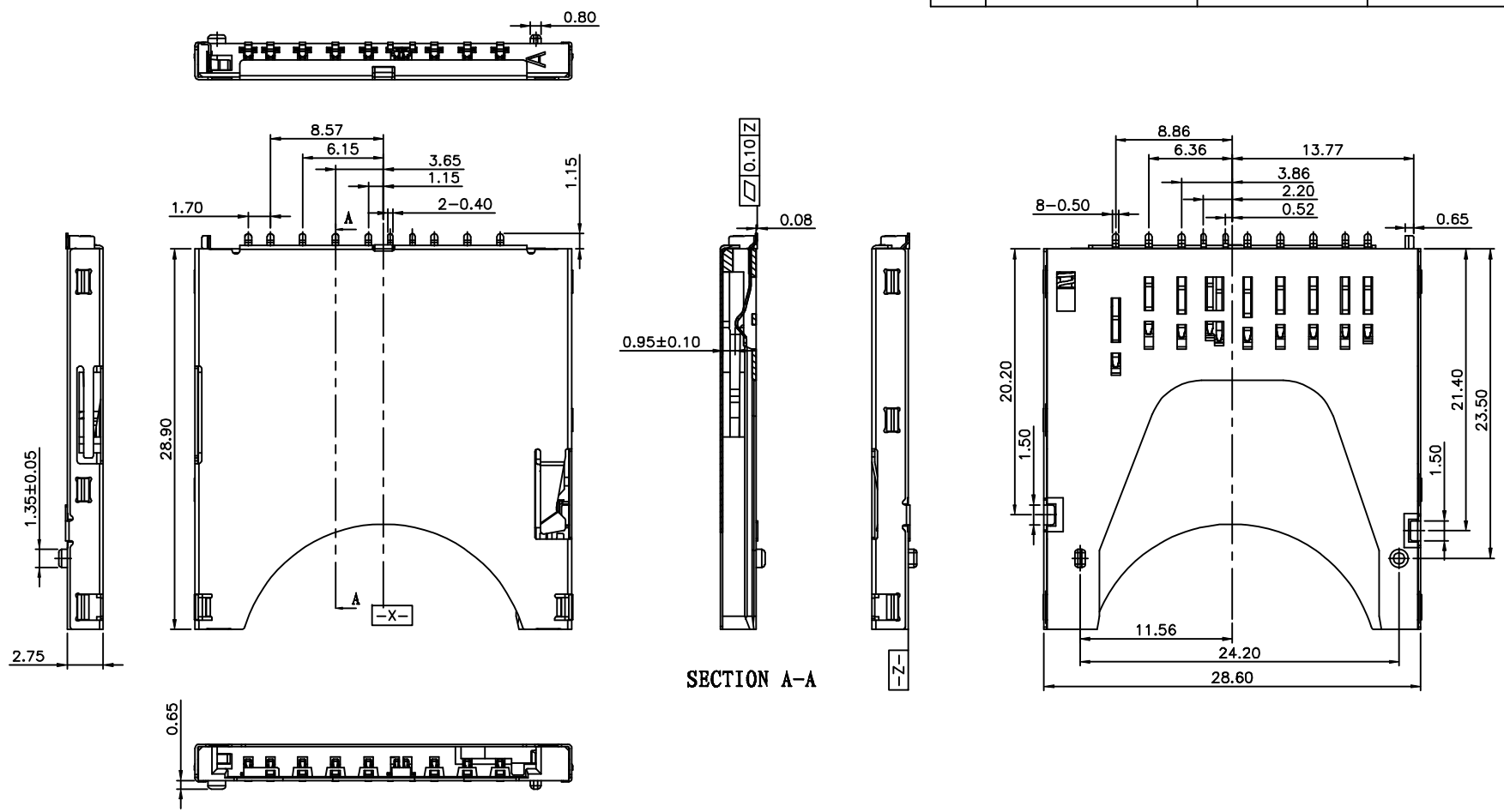
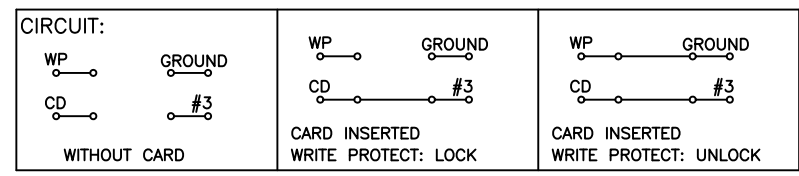


REV.	DESCRIPTION	DRAWN	CHECKED	APPROVED
A	NEW RELEASE	JLZ 10/14/14'		LJC 10/14/14'
B	DRAWING UPDATE	JLZ 05/03/17'		



SECTION A-A



GENERAL TOLERANCE	ANGLE TOLERANCE
X. ±0.60	X. ±5°
.X ±0.38	.X ±3°
.XX ±0.25	.XX ±2°

PROJECTION		TITLE	SD CARD PUSH-PUSH
UNITS	mm		POST $\phi$ 1.35mm H=2.75MM
SHEET SIZE	A4	SERIES	DS1139-01 SERIES

DRAWING TYPE	CUSTOMER		
SCALE	1:1	SHEET	1 OF 3
DRAWING NO.	C-DS1139-01-XXXXXXX-B		

晨翔电子有限公司  
**CONNFLY® CONNFLY ELECTRONIC CO., LTD**

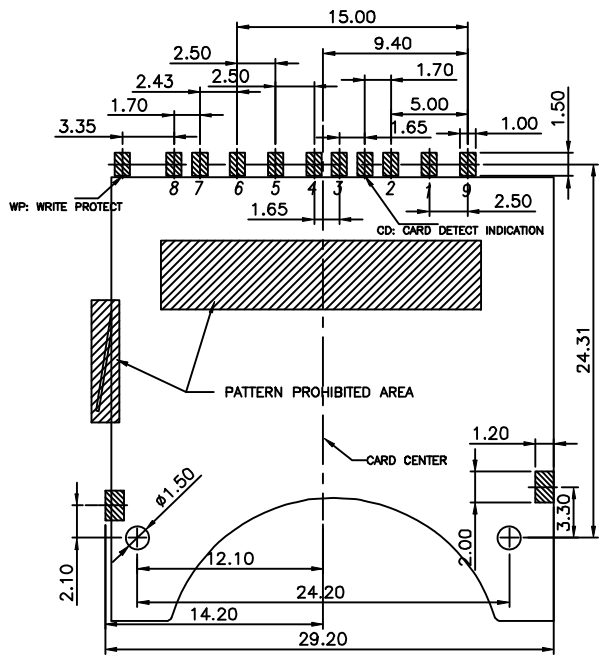
REV.	DESCRIPTION	DRAWN	CHECKED	APPROVED
A	NEW RELEASE	JLZ 10/14/14'		LJC 10/14/14'
B	DRAWING UPDATE	JLZ 05/03/17'		

- Notes:
- Material:
    - Insulator: High Temperature LCP UL94V-0 Color of Black.
    - Contacts: Copper Alloy.
    - Shell: Stainless Steel.
  - Finsh:
    - Solder Area: Matte Tin.
    - Contact Area: Gold Over Nickel.
  - Specifications:
    - Operate Temperature:  $-40^{\circ}\text{C} \sim +85^{\circ}\text{C}$
    - Insulation Resistance: 1000M $\Omega$  Min.
    - Contact Resistance: 100m $\Omega$  max.
    - Withstanding Voltage: 500V AC 1min.
    - Operating Voltage: 30V AC/DC.
    - Current Rating: 0.5A
  - Product Number Code:

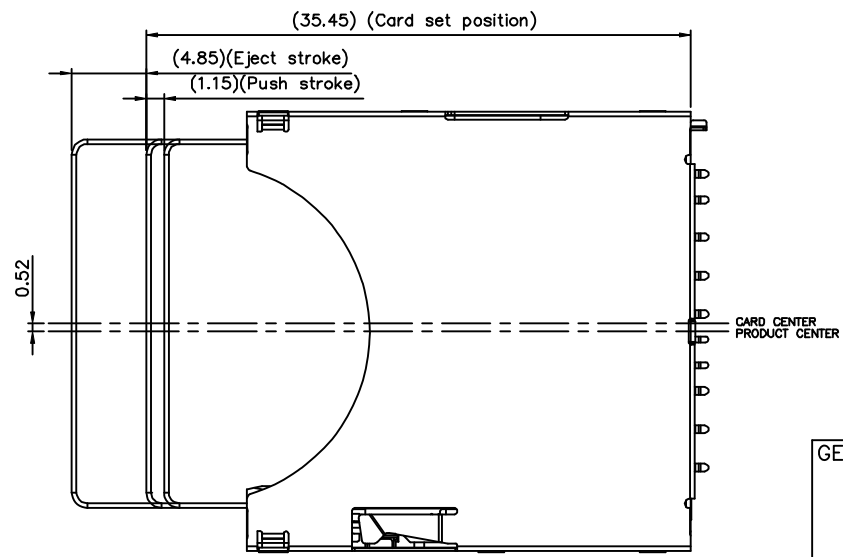
DS1139-01 - XX X X X X X X

- Packing Type
- R: Tape On Reel
- Shell Plating
- S: Stainless
- Housing color
- B: Black
- Contact Plating
- 0: Selective gold flash
- 4: Selective 3u" gold
- J: Selective 5u" gold
- 1: Selective 10u" gold
- Mounting type
- S: SMT type
- Connector type
- S: Socket
- No. of contacts
- 09:9pin

PIN NO.		SD	MMC
P1	MMC-DAT3 SD-CD/DAT3	1P	1P
P2	MMC-CMD SD-CMD	2P	2P
P3	MMC-VSS1 SD-VSS1	3P	3P
P4	MMC-VDD SD-VDD	4P	4P
P5	MMC-CLK SD-CLK	5P	5P
P6	MMC-VSS2 SD-VSS2	6P	6P
P7	MMC-DAT0 SD-DAT0	7P	7P
P8	SD-DAT1	8P	
P9	SD-DAT2	9P	



RECOMMENDED PCB LAYOUT  
(ALL TOLERANCE ARE  $\pm 0.05$ )

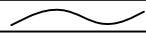
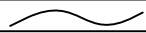


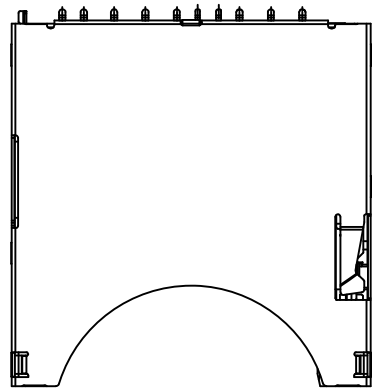
GENERAL TOLERANCE	ANGLE TOLERANCE
X. $\pm 0.60$	X. $\pm 5^{\circ}$
.X $\pm 0.38$	.X $\pm 3^{\circ}$
.XX $\pm 0.25$	.XX $\pm 2^{\circ}$

PROJECTION	TITLE	SD CARD PUSH-PUSH POST $\phi 1.35\text{mm}$ H=2.75MM
UNITS	mm	
SHEET SIZE	A4	SERIES DS1139-01 SERIES

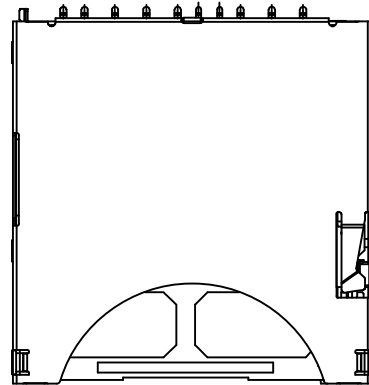
DRAWING TYPE	CUSTOMER
SCALE	1:1 SHEET 2 OF 3
DRAWING NO.	C-DS1139-01-XXXXXXX-B

晨翔电子有限公司  
**CONNFLY® CONNFLY ELECTRONIC CO., LTD**

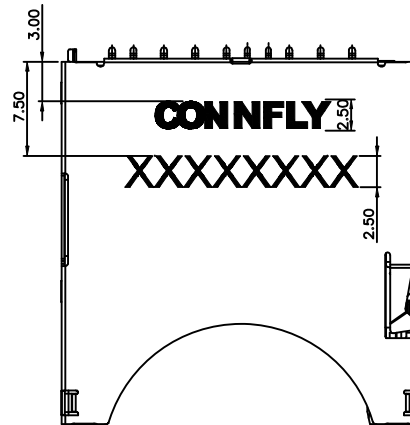
REV.	DESCRIPTION	DRAWN	CHECKED	APPROVED
A	NEW RELEASE	JLZ 10/14/14'		LJC 10/14/14'
B	DRAWING UPDATE	JLZ 05/03/17'		



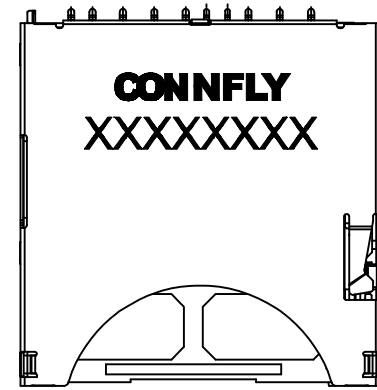
普通型



带假卡

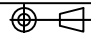



喷码



带假卡+喷码

NOTES: XXXXXX: Year Month Day, e.g. Oct 14th, 2014,  
jet printing 20141014

GENERAL TOLERANCE		ANGLE TOLERANCE		PROJECTION		TITLE	SD CARD PUSH-PUSH POST $\phi$ 1.35mm H=2.75MM			
X.	$\pm 0.60$	X.	$\pm 5^\circ$	UNITS	mm					
.X	$\pm 0.38$	.X	$\pm 3^\circ$	SHEET SIZE	A4	SERIES	DS1139-01 SERIES			
.XX	$\pm 0.25$	.XX	$\pm 2^\circ$			 <b>晨翔电子有限公司</b> <b>CONNFLY® CONNFLY ELECTRONIC CO., LTD</b>				
DRAWING TYPE		CUSTOMER								
SCALE	1:1	SHEET	3 OF 3							
DRAWING NO.		C-DS1139-01-XXXXXX-B								

## X-ON Electronics

Largest Supplier of Electrical and Electronic Components

*Click to view similar products for [Standard Card Edge Connectors](#) category:*

*Click to view products by [Connfly](#) manufacturer:*

Other Similar products are found below :

[CR7E-30DB-3.96E\(72\)](#) [6364499-1](#) [6565204-6](#) [147889-1](#) [EBT15622B2X](#) [1-582587-1](#) [284-0102-12100](#) [286-0052-12101A](#) [306022901000000](#)  
[307-012-502-202](#) [307-056-520-300](#) [A6D22DS29C2](#) [1926088-2](#) [2129318-1](#) [287-0032-12101](#) [345-060-559-303](#) [392-008-559-201](#) [534671-1](#)  
[341-240-317](#) [345-044-500-300](#) [346-240-318](#) [387-012-523-300](#) [395-100-524-300](#) [09-07-2032](#) [10035388-802LF](#) [10115859-011LF](#) [10122859-](#)  
[009LF](#) [101269333204245CLF](#) [530555-1](#) [66925-516LF](#) [5145409-2](#) [73726-0005](#) [66308-1](#) [5036A30](#) [PEC-07-02-T-S-A](#) [346-014-520-801](#)  
[KSLX-62-BR](#) [307-048-502-202](#) [CE100F26-7-C](#) [CE100F28-3-D](#) [CE100F28-4-D](#) [CE156F18-9-C](#) [CE156F22-5-D](#) [CE156F22-9-C](#) [CT100F22-](#)  
[2-D](#) [CT100F22-3-D](#) [CT100F24-2-D](#) [CT100F24-3-D](#) [CT100F24-6-C](#) [CT156F22-4-D](#)