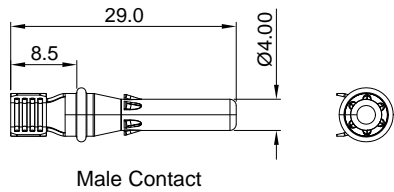
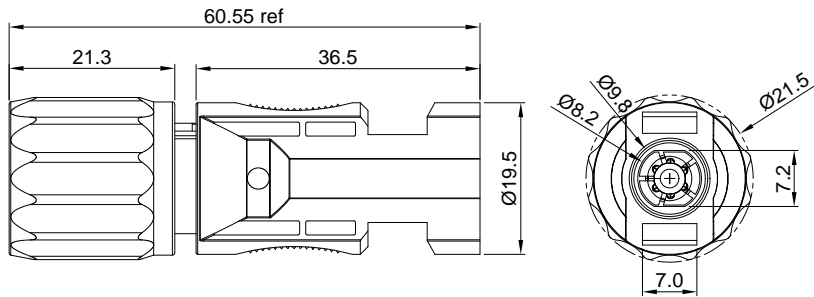
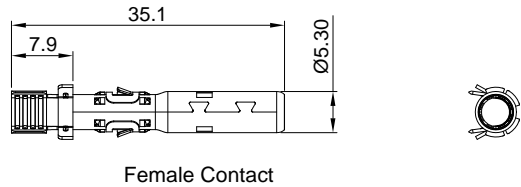
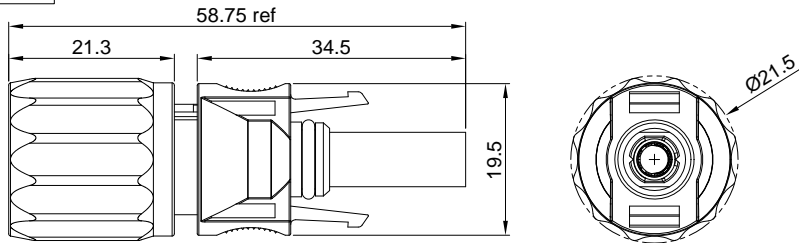


The information provided herein is from CONNELY Electronic Co., Ltd. and is confidential. Any disclosure to a party other than the recipient is prohibited. The intellectual properties and its rights contained herein, including but not limited to, trademarks, patents, copyrights, trade secrets, and technical know-how, are owned exclusively by CONNELY or its affiliates. Unauthorized use or reproduction of any part of this document is strictly prohibited. CONNELY reserves the right to make changes to the product specifications and drawings without notice. CONNELY may enforce its intellectual property rights at its own discretion, failures or delays to exercise such rights does not constitute a waiver of such rights.

Male



Female



(Series Image-Reference Only)

REV.	DESCRIPTION	DRAWN	CHECKED	APPROVED
A	NEW RELEASE	JLZ 05/06/22'		

Notes:

Specifications:

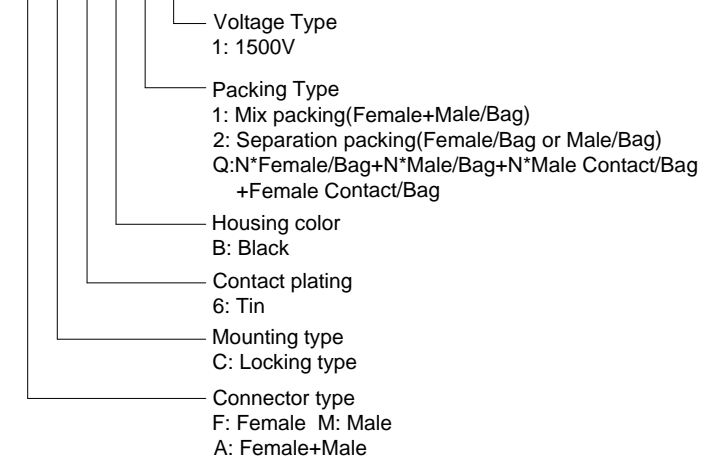
1. Contact Resistance: 0.5mΩ Max.
2. Insulation Resistance: 1000MΩ Min.
3. Dielectric Withstanding Voltage: 3000V AC(rms) For 1 Minute.
4. Current Rating: 30A.
5. Voltage Rating: 1500V DC rms.
6. Temperature: -40°C~+85°C.
7. Cable size: 2.5~6mm².
8. Waterproof rated: IP67.

Materials:

1. Insulating material: Thermoplastic, UL 94 V-0.
2. Contact: Red Copper, Tin plated.
3. Fingers: Beryllium Copper, Tin Plated.
4. Clip: Stainless Steel.
5. Sealing: Silicone rubber, Black.

Product Number Code:

DS1162-01 - X X X X X X



GENERAL TOLERANCE		ANGLE TOLERANCE	
X.	±0.60	X.	±5°
.X	±0.38	.X	±3°
.XX	±0.25	.XX	±2°

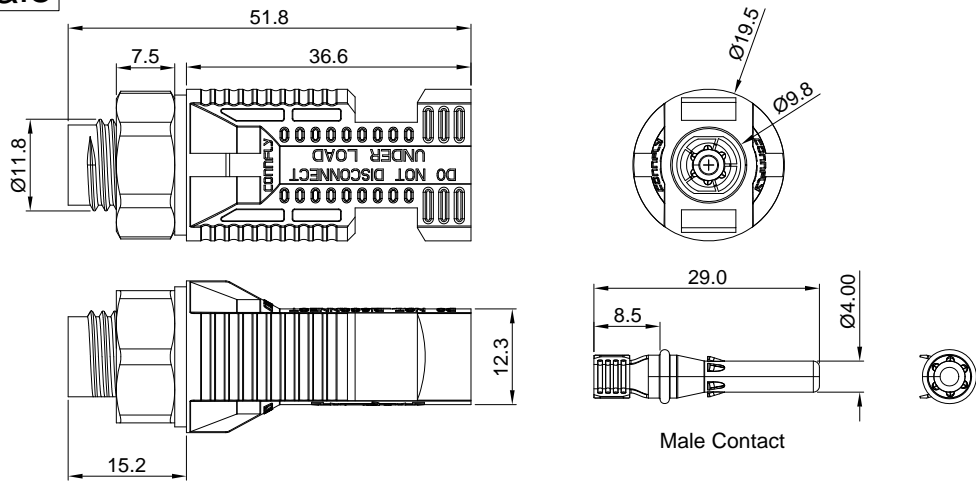
DRAWING TYPE	CUSTOMER		
SCALE	1:1	SHEET	1 OF 4
DRAWING NO.	C-DS1162-01-XXXXX-A		

PROJECTION	TITLE	TITLE	
UNITS	mm	Solar Connectors Wire to Wire W/ Lock Type (1500V)	
SHEET SIZE	A4	SERIES	DS1162-01 SERIES

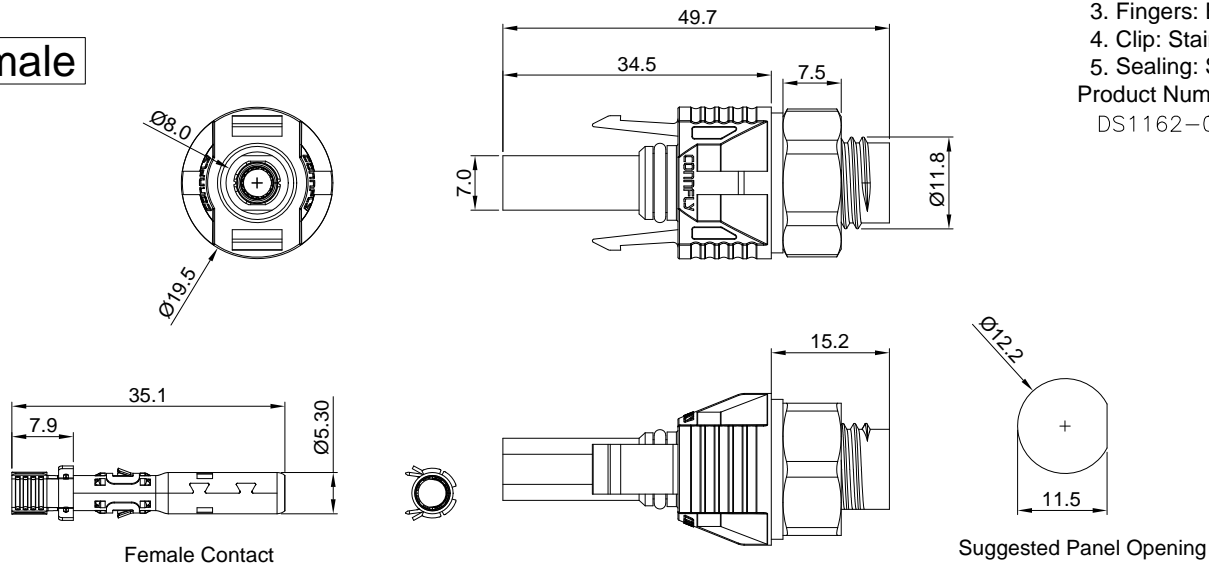
晨翔电子有限公司
CONNFLY CONNELY ELECTRONIC CO. LTD

The information provided herein is from CONNELY Electronic Co., Ltd. and is confidential. Any disclosure to a party other than the recipient is prohibited. The intellectual properties and its rights contained herein, including but not limited to, trademarks, patents, copyrights, trade secrets, and technical know-how, are owned exclusively by CONNELY or its affiliates. Unauthorized use or reproduction of any part of this document is strictly prohibited. CONNELY reserves the right to make changes to the product specifications and drawings without notice. CONNELY may enforce its intellectual property rights at its own discretion, failures or delays to exercise such rights does not constitute a waiver of such rights.

Male



Female



(Series Image-Reference Only)

REV.	DESCRIPTION	DRAWN	CHECKED	APPROVED
A	NEW RELEASE	JLZ 05/06/22'		

- Notes:**
- Specifications:**
- Contact Resistance: 0.5mΩ Max.
 - Insulation Resistance: 1000MΩ Min.
 - Dielectric Withstanding Voltage: 3000V AC(rms) For 1 Minute.
 - Current Rating: 30A.
 - Voltage Rating: 1500V DC rms.
 - Temperature: -40°C~+85°C.
 - Cable size: 2.5~6mm².
 - Waterproof rated: IP67.

- Materials:**
- Insulating material: Thermoplastic, UL 94 V-0.
 - Contact: Red Copper, Tin plated.
 - Fingers: Beryllium Copper, Tin Plated.
 - Clip: Stainless Steel.
 - Sealing: Silicone rubber, Black.

Product Number Code:

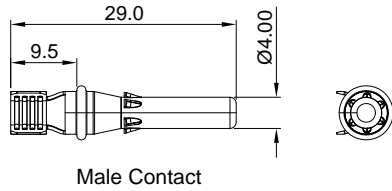
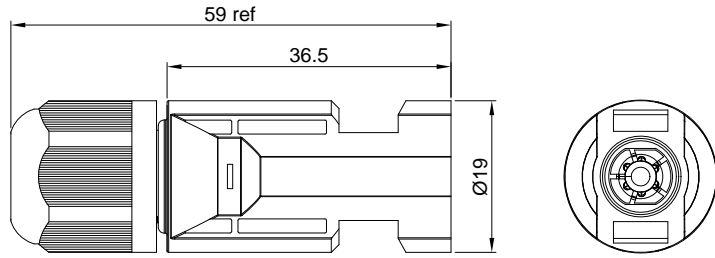
DS1162-01 - X X X X X X

- Voltage Type: 1: 1500V
- Packing Type: 1: Mix packing(Female+Male/Bag), 2: Separation packing(Female/Bag or Male/Bag), Q:N*Female/Bag+N*Male/Bag+N*Male Contact/Bag +Female Contact/Bag
- Housing color: B: Black
- Contact plating: 6: Tin
- Mounting type: V: Panel type
- Connector type: F: Female M: Male A: Female+Male

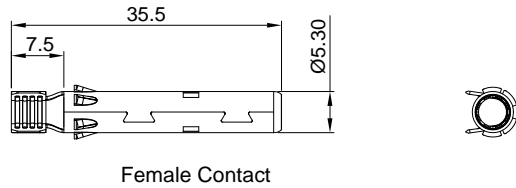
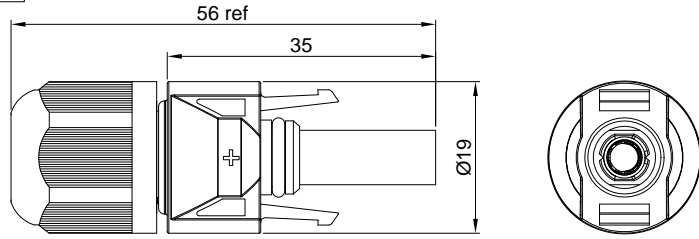
GENERAL TOLERANCE		ANGLE TOLERANCE		PROJECTION	TITLE
X.	±0.60	X.	±5°		Solar Connectors Wire to Board
.X	±0.38	.X	±3°	mm	W/ Lock Type (1500V)
.XX	±0.25	.XX	±2°	A4	SERIES DS1162-01 SERIES
DRAWING TYPE		CUSTOMER		晨翔电子有限公司 CONNFLY ELECTRONIC CO. LTD	
SCALE		1:1 SHEET 2 OF 4			
DRAWING NO.		C-DS1162-01-XXXXX-A			

The information provided herein is from CONNPLY Electronic Co., Ltd. and is confidential. Any disclosure to a party other than the recipient is prohibited. The intellectual properties and its rights contained herein, including but not limited to, trademarks, patents, copyrights, trade secrets, and technical know-how, are owned exclusively by CONNPLY or its affiliates. Unauthorized use or reproduction of any part of this document is strictly prohibited. CONNPLY may enforce its intellectual property rights at its own discretion, failures or delays to exercise such rights does not constitute a waiver of such rights.

Male



Female



(Series Image-Reference Only)

REV.	DESCRIPTION	DRAWN	CHECKED	APPROVED
A	NEW RELEASE	JLZ 05/06/22'		

Notes:

Specifications:

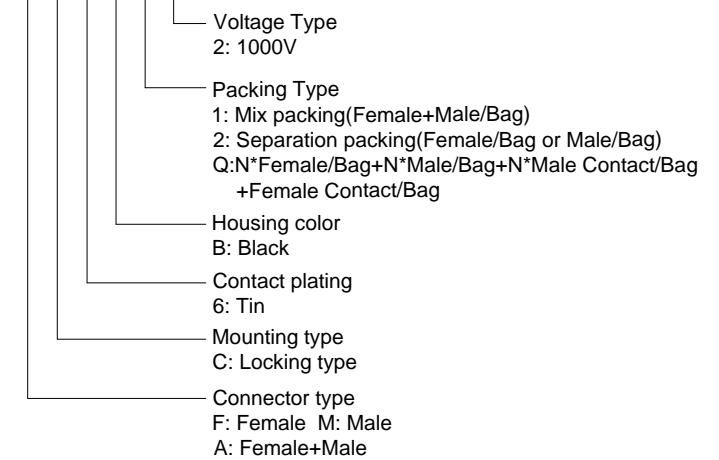
1. Contact Resistance: 0.5mΩ Max.
2. Insulation Resistance: 1000MΩ Min.
3. Dielectric Withstanding Voltage: 2000V AC(rms) For 1 Minute.
4. Current Rating: 30A.
5. Voltage Rating: 1000V DC rms.
6. Temperature: -40°C~+85°C.
7. Cable size: 2.5~6mm².
8. Waterproof rated: IP67.

Materials:

1. Insulating material: Thermoplastic, UL 94 V-0.
2. Contact: Red Copper, Tin plated.
3. Fingers: Beryllium Copper, Tin Plated.
4. Clip: Stainless Steel.
5. Sealing: Silicone rubber, White&Red.

Product Number Code:

DS1162-01 - X X X X X X



GENERAL TOLERANCE		ANGLE TOLERANCE	
X.	±0.60	X.	±5°
.X	±0.38	.X	±3°
.XX	±0.25	.XX	±2°

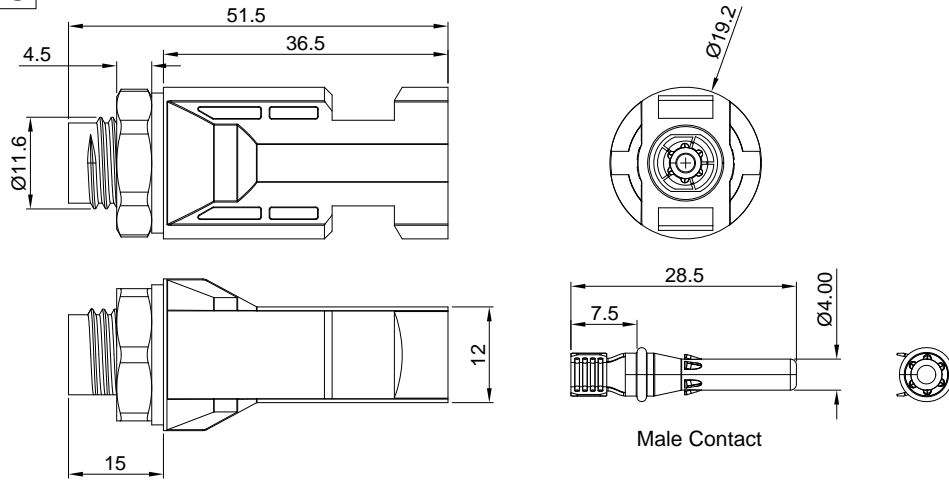
DRAWING TYPE	CUSTOMER		
SCALE	1:1	SHEET	3 OF 4
DRAWING NO.	C-DS1162-01-XXXXX-A		

PROJECTION		TITLE	Solar Connectors Wire to Wire W/ Lock Type (1000V)
UNITS	mm	SERIES	DS1162-01 SERIES
SHEET SIZE	A4		

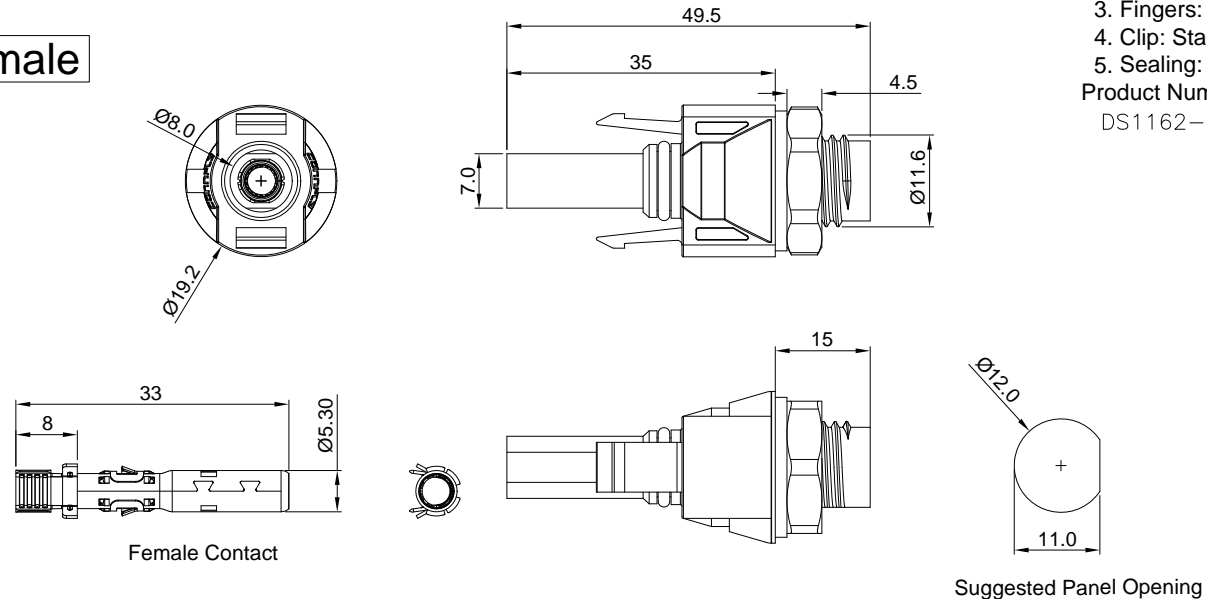
晨翔电子有限公司
CONNPLY ELECTRONIC CO. LTD

The information provided herein is from CONNELY Electronic Co., Ltd. and is confidential. Any disclosure to a party other than the recipient is prohibited. The intellectual properties and its rights contained herein, including but not limited to, trademarks, patents, copyrights, trade secrets, and technical know-how, are owned exclusively by CONNELY or its affiliates. Unauthorized use or reproduction of any part of this document is strictly prohibited. CONNELY reserves the right to make changes to the product specifications without notice. CONNELY may enforce its intellectual property rights at its own discretion, failures or delays to exercise such rights does not constitute a waiver of such rights.

Male



Female



(Series Image-Reference Only)

REV.	DESCRIPTION	DRAWN	CHECKED	APPROVED
A	NEW RELEASE	JLZ 05/06/22'		

- Notes:**
- Specifications:**
- Contact Resistance: 0.5mΩ Max.
 - Insulation Resistance: 1000MΩ Min.
 - Dielectric Withstanding Voltage: 3000V AC(rms) For 1 Minute.
 - Current Rating: 30A.
 - Voltage Rating: 1000V DC rms.
 - Temperature: -40°C~+85°C.
 - Cable size: 2.5~6mm².
 - Waterproof rated: IP67.

- Materials:**
- Insulating material: Thermoplastic, UL 94 V-0.
 - Contact: Red Copper, Tin plated.
 - Fingers: Beryllium Copper, Tin Plated.
 - Clip: Stainless Steel.
 - Sealing: Silicone rubber, White&Red.

Product Number Code:
 DS1162-01 - X X X X X X

- Voltage Type
2: 1000V
- Packing Type
1: Mix packing(Female+Male/Bag)
2: Separation packing(Female/Bag or Male/Bag)
Q:N*Female/Bag+N*Male/Bag+N*Male Contact/Bag +Female Contact/Bag
- Housing color
B: Black
- Contact plating
6: Tin
- Mounting type
V: Panel type
- Connector type
F: Female M: Male
A: Female+Male

GENERAL TOLERANCE		ANGLE TOLERANCE		PROJECTION		TITLE	Solar Connectors Wire to Board W/ Lock Type (1000V)	
X.	±0.60	X.	±5°	UNITS	mm	SERIES	DS1162-01 SERIES	
.X	±0.38	.X	±3°	SHEET SIZE		A4		
.XX	±0.25	.XX	±2°	晨翔电子有限公司 CONNFLY CONNELY ELECTRONIC CO. LTD				
DRAWING TYPE		CUSTOMER						
SCALE	1:1	SHEET	4 OF 4					
DRAWING NO.		C-DS1162-01-XXXX-A						

X-ON Electronics

Largest Supplier of Electrical and Electronic Components

Click to view similar products for [Standard Circular Connector](#) category:

Click to view products by [Connfly](#) manufacturer:

Other Similar products are found below :

[6134-336-13149](#) [6134-337-11149](#) [6134-337-2390](#) [6134-341-17149](#) [6280-4SG-516](#) [6280-7SG-3DC](#) [6282-2SG-315](#) [67-02E12-60PX](#) [680-SMG](#) [CXS3102A181S](#) [7282-3PG-300-CH3](#) [75-190011-03P](#) [75-190216-08S](#) [75-190611-03S](#) [75-474014-05S](#) [75-474211-03P](#) [80-190222-18P](#) [805-005-07NF11-19PC](#) [805-005-07NF15-7PA](#) [8280-4PG-516](#) [8280-7PG-519](#) [836783-1](#) [862256-1](#) [866857-1](#) [867865-1](#) [PT08P-14-19S](#) [120-1833-000](#) [QCM019PC2DC012B](#) [121583-0217](#) [121667-0020](#) [RD10A16-19-P6CS051/1](#) [RD16A14-12-S6CS051/2](#) [1301860183](#) [1302261559](#) [DCU-08BFEA-LL7001](#) [RM15WTP-CP\(5\)\(71\)](#) [14381-10SG-300](#) [14482](#) [14281-20PG-300](#) [16283-18](#) [18280-3SG-315](#) [1877910-1](#) [206039-3](#) [206323-1](#) [207002-2](#) [207682-1](#) [CA06COM-E10SL-4P-B](#) [CA06COME14SA7P](#) [211777-1](#) [JL04-1012CK\(05\)-R](#)