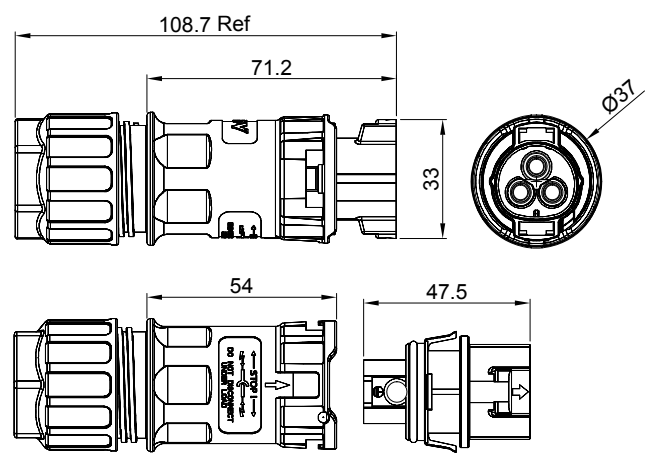
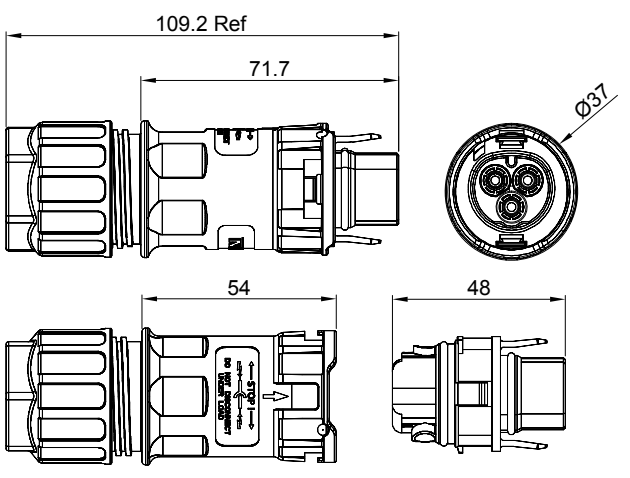


The information provided herein is from CONNELY Electronic Co., Ltd. and is confidential. Any disclosure to a party other than the recipient is prohibited. The intellectual properties and its rights contained herein, including but not limited to, trademarks, patents, copyrights, trade secrets, and technical know-how, are owned exclusively by CONNELY or its affiliates. Unauthorized use or reproduction of any part of this document, in any form or by any means, without the prior written permission of CONNELY is strictly prohibited. CONNELY may enforce its intellectual property rights at its own discretion, failures or delays to exercise such rights does not constitute a waiver of such rights.

Female



Male



(Series Image-Reference Only)

REV.	DESCRIPTION	DRAWN	CHECKED	APPROVED
A	NEW RELEASE	JLZ 08/30/23'		

Notes:

Specifications:

- Contact Resistance: 0.25mΩ Max.
- Insulation Resistance: 1000MΩ Min.
- Dielectric Withstanding Voltage: 4000V AC(rms) For 1 Minute.
- Current Rating: 50A Max(10mm²).
- Voltage Rating: 500V AC.
- Temperature: -40°C~+85°C.
- Cable size: 2.5~10mm².
- Waterproof rated: IP68.

Materials:

- Insulating material: Thermoplastic, UL 94 V-0.
- Contact: Copper, Tin plated.
- Sealing: Rubber.

Product Number Code:

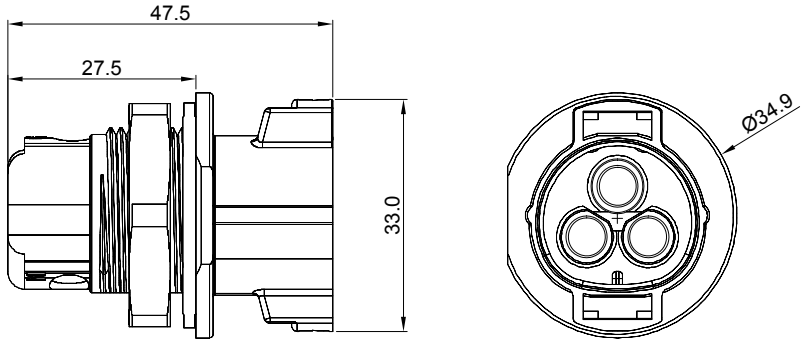
DS1162-03 - X X X X X X

- X: Cuitable cable type
 - 4: 2.5/4mm²
 - 10: 4/6/10mm²
- X: Housing color
 - B: Black
- X: Contact plating
 - 6: Tin
- X: Mounting type
 - C: Cable type
- X: Connector type
 - F: Female
 - M: Male
- X: No. of contacts
 - 3: 3Pin

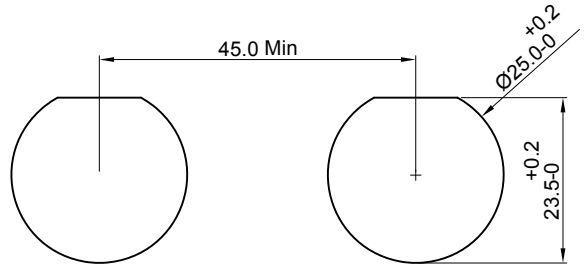
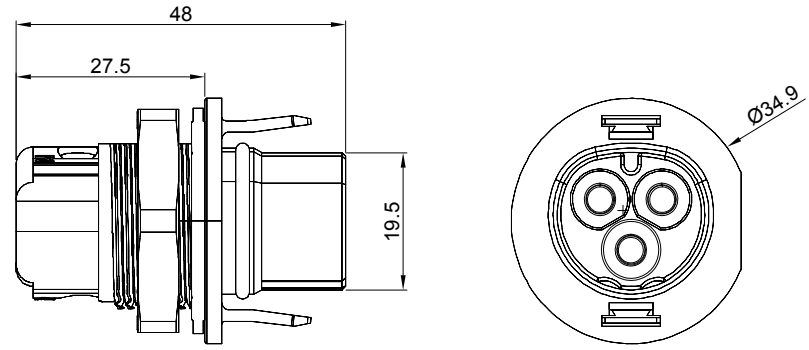
GENERAL TOLERANCE		ANGLE TOLERANCE		PROJECTION		TITLE	
X.	±0.60	X.	±5°	UNITS	mm	3P AC Connectors Cable Type	
.X	±0.38	.X	±3°	SHEET SIZE	A4	SERIES	DS1162-03 SERIES
.XX	±0.25	.XX	±2°	晨翔电子有限公司 CONNFLY CONNELY ELECTRONIC CO. LTD			
DRAWING TYPE		CUSTOMER					
SCALE	1:1	SHEET	1 OF 4				
DRAWING NO.		C-DS1162-03-XXXX-A					

The information provided herein is from CONNELY Electronic Co., Ltd. and is confidential. Any disclosure to a party other than the recipient is prohibited. The intellectual properties and its rights contained herein, including but not limited to, trademarks, patents, copyrights, trade secrets, and technical know-how, are owned exclusively by CONNELY or its affiliates. Unauthorized use or reproduction of any part of this document is strictly prohibited. CONNELY may enforce its intellectual property rights at its own discretion, failures or delays to exercise such rights does not constitute a waiver of such rights.

Female



Male



Panel size



(Series Image-Reference Only)

REV.	DESCRIPTION	DRAWN	CHECKED	APPROVED
A	NEW RELEASE	JLZ 08/30/23'		

Notes:

Specifications:

- Contact Resistance: 0.25mΩ Max.
- Insulation Resistance: 1000MΩ Min.
- Dielectric Withstanding Voltage: 4000V AC(rms) For 1 Minute.
- Current Rating: 50A Max(10mm²).
- Voltage Rating: 500V AC.
- Temperature: -40°C~+85°C.
- Cable size: 2.5~10mm².
- Waterproof rated: IP68.

Materials:

- Insulating material: Thermoplastic, UL 94 V-0.
- Contact: Copper, Tin plated.
- Sealing: Rubber.

Product Number Code:

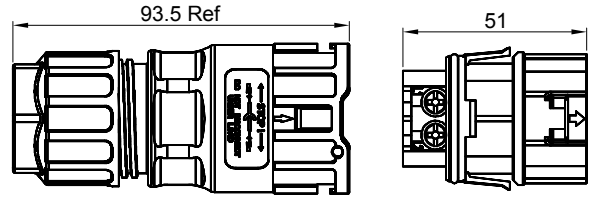
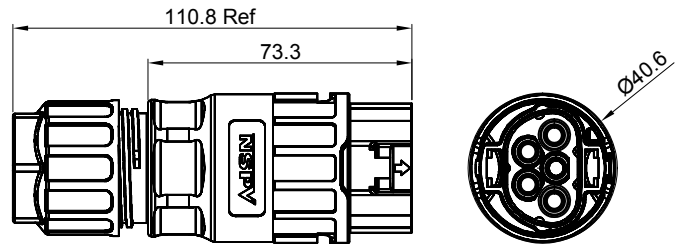
DS1162-03 - X X X X X X

- Cuitable cable type
2: 2.5mm² 4: 4mm²
6: 6mm² 10: 10mm²
- Housing color
B: Black
- Contact plating
6: Tin
- Mounting type
V: Panel type
- Connector type
F: Female
M: Male
- No. of contacts
3: 3Pin

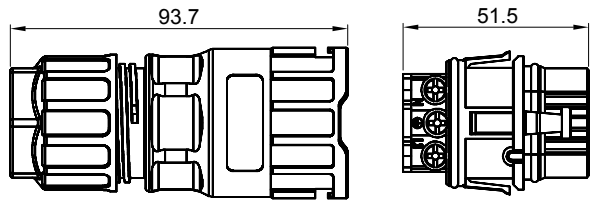
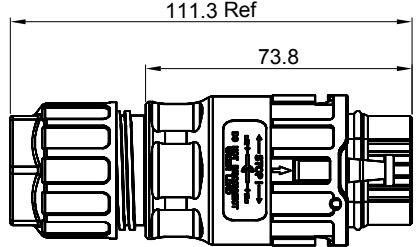
GENERAL TOLERANCE		ANGLE TOLERANCE		PROJECTION		TITLE	
X.	±0.60	X.	±5°	UNITS	mm	3P AC Connectors Panel Type	
.X	±0.38	.X	±3°	SHEET SIZE	A4	SERIES	DS1162-03 SERIES
.XX	±0.25	.XX	±2°	晨翔电子有限公司 CONNFLY CONNELY ELECTRONIC CO. LTD			
DRAWING TYPE		CUSTOMER					
SCALE	1:1	SHEET	2 OF 4				
DRAWING NO.		C-DS1162-03-XXXXX-A					

The information provided herein is from CONNELY Electronic Co., Ltd. and is confidential. Any disclosure to a party other than the recipient is prohibited. The intellectual properties and its rights contained herein, including but not limited to, trademarks, patents, copyrights, trade secrets, and technical know-how, are owned exclusively by CONNELY or its affiliates. Unauthorized use or reproduction of any part of this document without the prior written consent of CONNELY may constitute a violation of intellectual property rights. CONNELY may enforce its intellectual property rights at its own discretion, failures or delays to exercise such rights does not constitute a waiver of such rights.

Female



Male



(Series Image-Reference Only)

REV.	DESCRIPTION	DRAWN	CHECKED	APPROVED
A	NEW RELEASE	JLZ 08/30/23'		

- Notes:
- Specifications:
- Contact Resistance: 0.25mΩ Max.
 - Insulation Resistance: 1000MΩ Min.
 - Dielectric Withstanding Voltage: 4000V AC(rms) For 1 Minute.
 - Current Rating: 50A Max(10mm²).
 - Voltage Rating: 500V AC.
 - Temperature: -40°C~+85°C.
 - Cable size: 4~10mm².
 - Waterproof rated: IP68.

- Materials:
- Insulating material: Thermoplastic, UL 94 V-0.
 - Contact: Copper, Tin plated.
 - Sealing: Rubber.

Product Number Code:

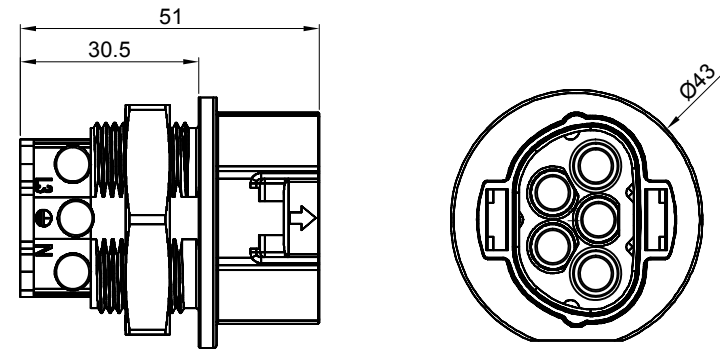
DS1162-03 - X X X X X X

- X: Cuitable cable type 10: 4/6/10mm²
- X: Housing color B: Black
- X: Contact plating 6: Tin
- X: Mounting type C: Cable type
- X: Connector type F: Female M: Male
- X: No. of contacts 5: 5Pin

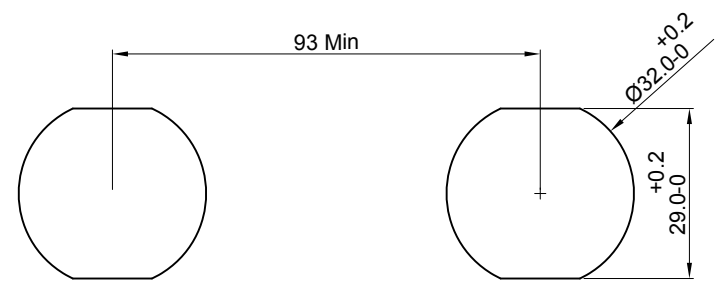
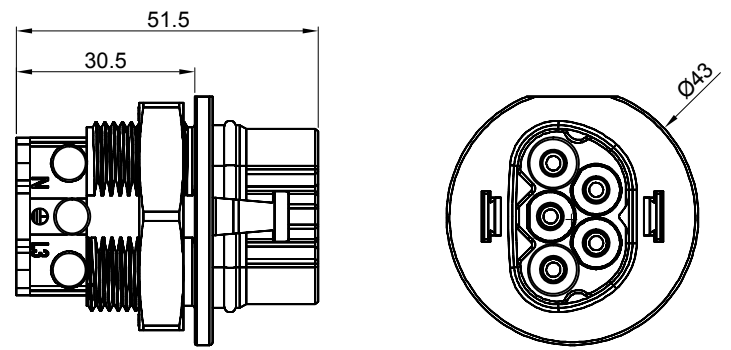
GENERAL TOLERANCE		ANGLE TOLERANCE		PROJECTION		TITLE	
X.	±0.60	X.	±5°	UNITS	mm	5P AC Connectors Cable Type	
.X	±0.38	.X	±3°	SHEET SIZE	A4	SERIES	DS1162-03 SERIES
.XX	±0.25	.XX	±2°	晨翔电子有限公司 CONNFLY ELECTRONIC CO. LTD			
DRAWING TYPE		CUSTOMER					
SCALE	1:1	SHEET	3 OF 4				
DRAWING NO.		C-DS1162-03-XXXX-A					

The information provided herein is from CONNELY Electronic Co., Ltd. and is confidential. Any disclosure to a party other than the recipient is prohibited. The intellectual properties and its rights contained herein, including but not limited to, trademarks, patents, copyrights, trade secrets, and technical know-how, are owned exclusively by CONNELY or its affiliates. Unauthorized use or reproduction of any part of this document is strictly prohibited. CONNELY may enforce its intellectual property rights at its own discretion, failures or delays to exercise such rights does not constitute a waiver of such rights.

Female



Male



Panel size



(Series Image-Reference Only)

REV.	DESCRIPTION	DRAWN	CHECKED	APPROVED
A	NEW RELEASE	JLZ 08/30/23'		

Notes:

Specifications:

- Contact Resistance: 0.25mΩ Max.
- Insulation Resistance: 1000MΩ Min.
- Dielectric Withstanding Voltage: 4000V AC(rms) For 1 Minute.
- Current Rating: 50A Max(10mm²).
- Voltage Rating: 500V AC.
- Temperature: -40°C~+85°C.
- Cable size: 4~10mm².
- Waterproof rated: IP68.

Materials:

- Insulating material: Thermoplastic,UL 94 V-0.
- Contact: Copper,Tin plated.
- Sealing: Rubber.

Product Number Code:

DS1162-03 - X X X X X X

- Cuitable cable type
4: 4mm² 6: 6mm²
10: 10mm²
- Housing color
B: Black
- Contact plating
6: Tin
- Mounting type
V: Panel type
- Connector type
F: Female
M: Male
- No. of contacts
5: 5Pin

GENERAL TOLERANCE		ANGLE TOLERANCE		PROJECTION		TITLE	5P AC Connectors Panel Type	
X.	±0.60	X.	±5°	UNITS	mm	SHEET	4 OF 4	
.X	±0.38	.X	±3°	SHEET SIZE	A4	SERIES	DS1162-03 SERIES	
.XX	±0.25	.XX	±2°	晨翔电子有限公司 CONNFLY ELECTRONIC CO. LTD				
DRAWING TYPE		CUSTOMER						
SCALE		1:1						
DRAWING NO.				C-DS1162-03-XXXX-A				

X-ON Electronics

Largest Supplier of Electrical and Electronic Components

Click to view similar products for [Solar Connectors](#) / [Photovoltaic Connectors](#) category:

Click to view products by [Connfly](#) manufacturer:

Other Similar products are found below :

[1971861-4](#) [1971861-3](#) [PV-090508-M06-N](#) [1987558-2](#) [1627092](#) [20500401-T100000LF](#) [32.0197](#) [32.0717](#) [32.0325P0001](#) [32.0263P0001](#)
[DS1162-03-3MV6B6](#) [DS1162-14-1T3AB6P](#) [DS1162-03-3FV6B6](#) [DS1162-03-5FV6B6](#) [32.0321P0001](#) [32.0320P0001](#) [DS1162-23-A6BP10](#)
[IS14110N](#) [DS1162-03-5MC6B10](#) [32.0266P0001](#) [32.0267P0001](#) [32.0107P0001](#) [DS1162-03-5MV6B6](#) [32.0324P0001](#) [DS1162-03-5FC6B10](#)
[DS1162-14-1T5AB6P](#) [32.0034P0001](#) [32.0716](#) [DS1162-03-3MC6B10](#) [DS1162-21-AC6B1A](#) [DS1162-22-A6BP10](#) [32.0507P0001](#)
[32.0521P0001](#) [DS1162-03-3FC6B10](#) [32.0035P0001](#) [32.0317P0001](#) [32.0316P0001](#) [1017635](#) [1-2306314-1](#) [1-2306314-2](#) [1302440201](#)
[1303450000](#) [PV-STICK+ VPE10](#) [1303490000](#) [PV-STICK- VPE10](#) [1422030000](#) [PV-STICK SET](#) [1987424-1](#) [1987419-1](#) [2270154-2](#) [2270184-](#)
[3](#) [2-1971861-1](#) [2-1971861-2](#)