

(Series Image-Reference Only)

REV.	DESCRIPTION	DRAWN	CHECKED	APPROVED
A	NEW RELEASE	JLZ 05/30/23'		

- Notes:
 Specifications:
 1. Contact Resistance: 0.5mΩ Max.
 2. Insulation Resistance: 1000MΩ Min.
 3. Current Rating:50A.
 4. Voltage Rating:1500V DC.
 5. Degree of protection: IP2X/IP67
 6. Temperature: -40°C~+90°C.

- Materials:
 1. Insulating material: Thermoplastic,Black.
 2. Waterproof Plug: Silicone rubber,Salmon.
 3. Contact material: Copper alloy,Tin plated.

Product Number Code:

DS1162-14 - X X X X X

- Packing Type
P: Polybag
- Contact plating
6: Tin
- Housing color
B: Black
- Connector type
A: Adaptor
- No. of contacts
1F2M: 1Female+2Male
1M2F: 1Male+2Female
1T2: 1F2M+1M2F

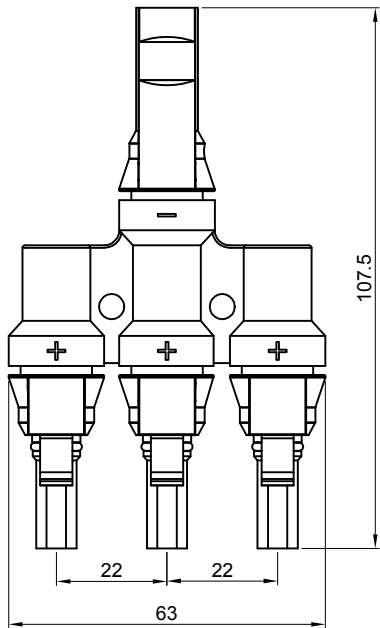
The information provided herein is from CONNELY Electronic Co., Ltd. and is confidential. Any disclosure to a party other than the recipient is prohibited. The intellectual properties and its rights contained herein, including but not limited to, trademarks, patents, copyrights, trade secrets, and technical know-how, are owned exclusively by CONNELY or its affiliates. Unauthorized use of this information in any format or manner. CONNELY may enforce its intellectual property rights at its own discretion; failures or delays to exercise such rights does not constitute a waiver of such rights.

GENERAL TOLERANCE		ANGLE TOLERANCE		PROJECTION		TITLE	Solar Branch Connector 1 To 2 Type	
X.	±0.60	X.	±5°	UNITS	mm	SHEET SIZE	A4	
.X	±0.38	.X	±3°			SERIES	DS1162-14 SERIES	
.XX	±0.25	.XX	±2°					
DRAWING TYPE		CUSTOMER		晨翔电子有限公司 CONNELY ELECTRONIC CO. LTD				
SCALE	1:1	SHEET	1 OF 5					
DRAWING NO.	C-DS1162-14-XXXXX-A							

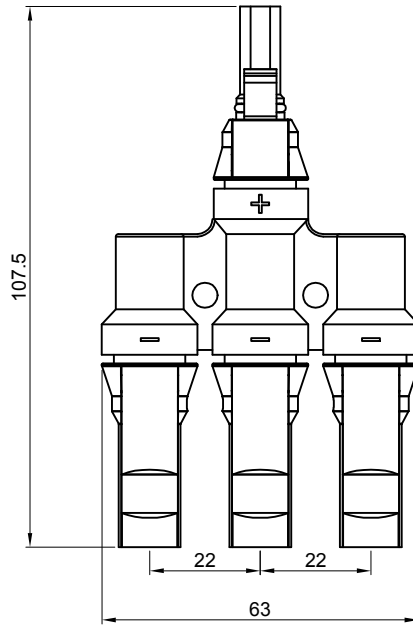
The information provided herein is from CONNELY Electronic Co., Ltd. and is confidential. Any disclosure to a party other than the recipient is prohibited. The intellectual properties and its rights contained herein, including but not limited to, trademarks, patents, copyrights, trade secrets, and technical know-how, are owned exclusively by CONNELY or its affiliates. Unauthorized use of this information in any format or manner. CONNELY may enforce its intellectual property rights at its own discretion; failures or delays to exercise such rights does not constitute a waiver of such rights.

1 2 3 4 5 6 7 8

REV.	DESCRIPTION	DRAWN	CHECKED	APPROVED
A	NEW RELEASE	JLZ 05/30/23'		



1M3F



1F3M



(Series Image-Reference Only)

Notes:

Specifications:

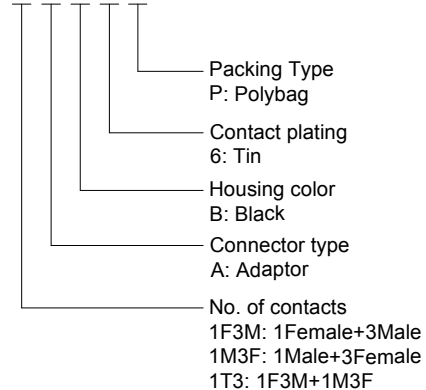
- Contact Resistance: 0.5mΩ Max.
- Insulation Resistance: 1000MΩ Min.
- Current Rating:50A.
- Voltage Rating:1500V DC.
- Degree of protection: IP2X/IP67
- Temperature: -40°C~+90°C.

Materials:

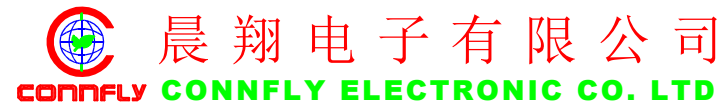
- Insulating material: Thermoplastic,Black.
- Waterproof Plug: Silicone rubber,Salmon.
- Contact material: Copper alloy,Tin plated.

Product Number Code:

DS1162-14 - X X X X X



GENERAL TOLERANCE		ANGLE TOLERANCE		PROJECTION		TITLE	Solar Branch Connector 1 To 3 Type	
X.	±0.60	X.	±5°	UNITS	mm			
.X	±0.38	.X	±3°	SHEET SIZE	A4	SERIES	DS1162-14 SERIES	
.XX	±0.25	.XX	±2°					
DRAWING TYPE		CUSTOMER						
SCALE		1:1	SHEET		2 OF 5			
DRAWING NO.		C-DS1162-14-XXXXX-A						

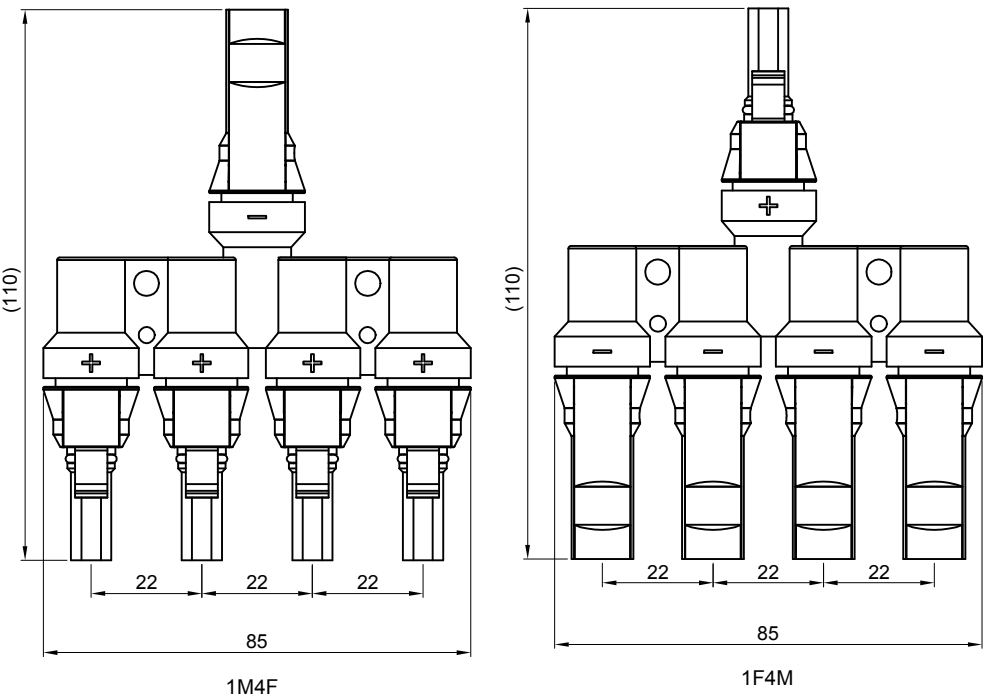


1 2 3 4 5 6 7 8

The information provided herein is from CONNELY Electronic Co., Ltd. and is confidential. Any disclosure to a party other than the recipient is prohibited. The intellectual properties and its rights contained herein, including but not limited to, trademarks, patents, copyrights, trade secrets, and technical know-how, are owned exclusively by CONNELY or its affiliates. Unauthorized use of this information in any format or manner, CONNELY may enforce its intellectual property rights at its own discretion; failures or delays to exercise such rights does not constitute a waiver of such rights.

1 2 3 4 5 6 7 8

REV.	DESCRIPTION	DRAWN	CHECKED	APPROVED
A	NEW RELEASE	JLZ 05/30/23'		



Notes:

Specifications:

- Contact Resistance: 0.5mΩ Max.
- Insulation Resistance: 1000MΩ Min.
- Current Rating:50A.
- Voltage Rating:1500V DC.
- Degree of protection: IP2X/IP67
- Temperature: -40°C~+90°C.

Materials:

- Insulating material: Thermoplastic,Black, UL 94 V-0 or UL 94 HB.
- Waterproof Plug: Silicone rubber,Salmon.
- Contact material: Copper alloy,Tin plated.

Product Number Code:

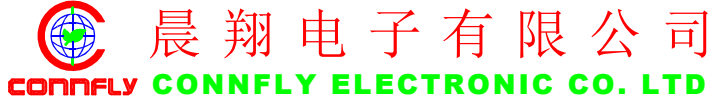
DS1162-14 - X X X X X

- Packing Type: P: Polybag
- Contact plating: 6: Tin
- Housing color: B: Black
- Connector type: A: Adaptor
- No. of contacts: 1F4M: 1Female+4Male, 1M4F: 1Male+4Female, 1T4: 1F4M+1M4F



(Series Image-Reference Only)

GENERAL TOLERANCE		ANGLE TOLERANCE		PROJECTION		TITLE	Solar Branch Connector 1 To 4 Type	
X.	±0.60	X.	±5°	UNITS	mm			
.X	±0.38	.X	±3°	SHEET SIZE	A4	SERIES	DS1162-14 SERIES	
.XX	±0.25	.XX	±2°					
DRAWING TYPE		CUSTOMER						
SCALE		1:1	SHEET		3 OF 5			
DRAWING NO.		C-DS1162-14-XXXXX-A						



1 2 3 4 5 6 7 8

The information provided herein is from CONNELY Electronic Co., Ltd. and is confidential. Any disclosure to a party other than the recipient is prohibited. The intellectual properties and its rights contained herein, including but not limited to, trademarks, patents, copyrights, trade secrets, and technical know-how, are owned exclusively by CONNELY or its affiliates. Unauthorized use of this information in any format or manner. CONNELY may enforce its intellectual property rights at its own discretion; failures or delays to exercise such rights does not constitute a waiver of such rights.

1 2 3 4 5 6 7 8

REV.	DESCRIPTION	DRAWN	CHECKED	APPROVED
A	NEW RELEASE	JLZ 05/30/23'		

A

B

C

D

E

F

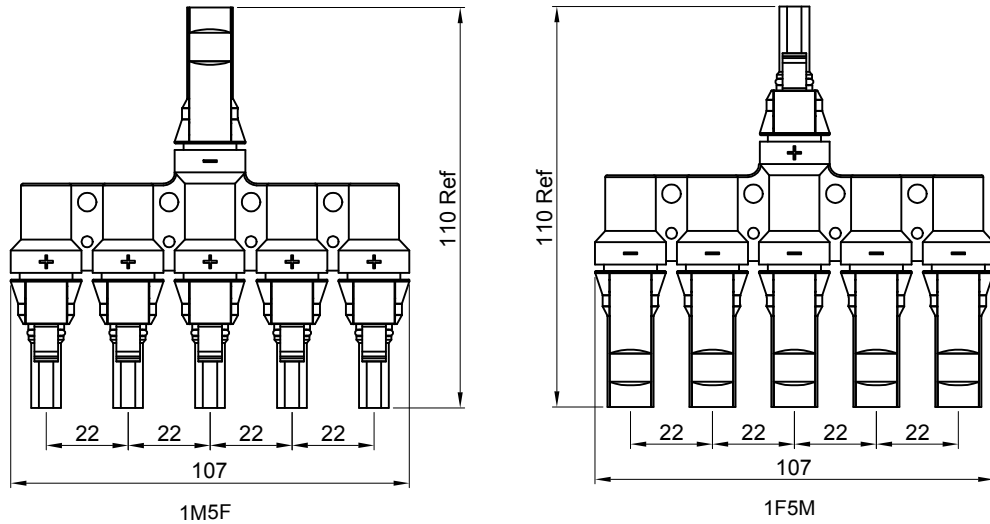
F

G

G

H

H



Notes:

Specifications:

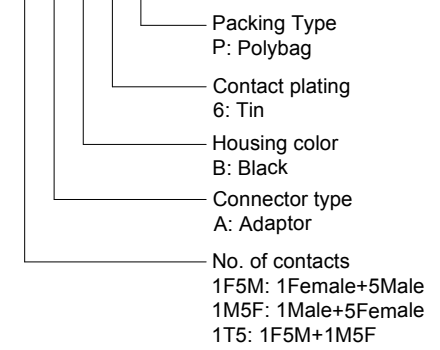
- Contact Resistance: 0.5mΩ Max.
- Insulation Resistance: 1000MΩ Min.
- Current Rating:50A.
- Voltage Rating:1500V DC.
- Degree of protection: IP2X/IP67
- Temperature: -40°C~+90°C.

Materials:

- Insulating material: Thermoplastic,Black.
- Waterproof Plug: Silicone rubber,Salmon.
- Contact material: Copper alloy,Tin plated.

Product Number Code:

DS1162-14 - X X X X X

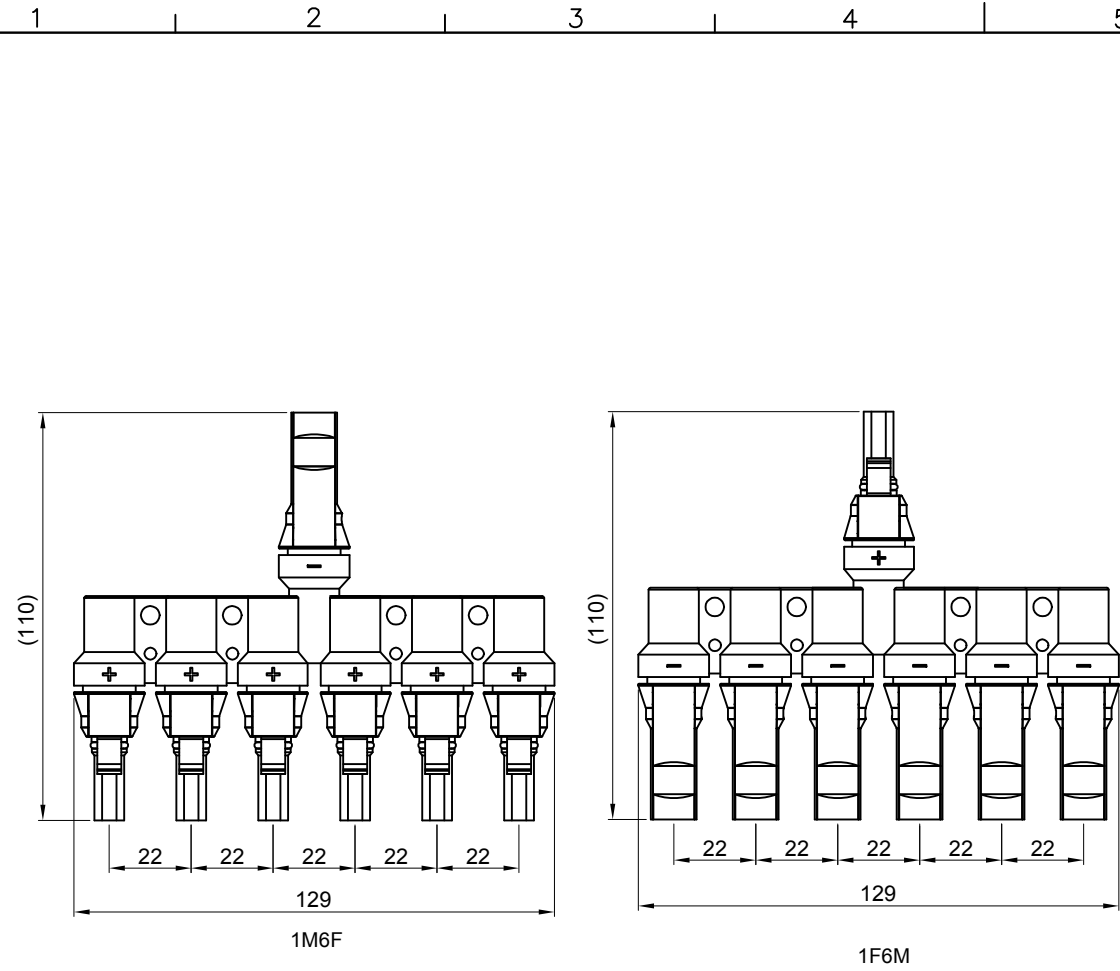


(Series Image-Reference Only)

GENERAL TOLERANCE	ANGLE TOLERANCE	PROJECTION		TITLE	Solar Branch Connector 1 To 5 Type		
X. ±0.60	X. ±5°	UNITS	mm	SHEET SIZE	A4	SERIES DS1162-14 SERIES	
.X ±0.38	.X ±3°	晨翔电子有限公司 CONNFLY CONNELY ELECTRONIC CO. LTD					
.XX ±0.25	.XX ±2°						
DRAWING TYPE	CUSTOMER	SCALE				1:1	SHEET 4 OF 5
DRAWING NO.		C-DS1162-14-XXXXX-A					

1 2 3 4 5 6 7 8

The information provided herein is from CONNELY Electronic Co., Ltd. and is confidential. Any disclosure to a party other than the recipient is prohibited. The intellectual properties and its rights contained herein, including but not limited to, trademarks, patents, copyrights, trade secrets, and technical know-how, are owned exclusively by CONNELY or its affiliates. Unauthorized use of this information in any format or manner, CONNELY may enforce its intellectual property rights at its own discretion; failures or delays to exercise such rights does not constitute a waiver of such rights.



(Series Image-Reference Only)

REV.	DESCRIPTION	DRAWN	CHECKED	APPROVED
A	NEW RELEASE	JLZ 05/30/23'		

Notes:

Specifications:

- Contact Resistance: 0.5mΩ Max.
- Insulation Resistance: 1000MΩ Min.
- Current Rating:50A.
- Voltage Rating:1500V DC.
- Degree of protection: IP2X/IP67
- Temperature: -40°C~+90°C.

Materials:

- Insulating material: Thermoplastic,Black.
- Waterproof Plug: Silicone rubber,Salmon.
- Contact material: Copper alloy,Tin plated.

Product Number Code:

DS1162-14 - X X X X X

- X: Packing Type
- P: Polybag
- 6: Contact plating
- 6: Tin
- B: Housing color
- B: Black
- A: Connector type
- A: Adaptor
- No. of contacts
- 1F6M: 1Female+6Male
- 1M6F: 1Male+6Female
- 1T6: 1F6M+1M6F

GENERAL TOLERANCE		ANGLE TOLERANCE		PROJECTION		TITLE	Solar Branch Connector 1 To 6 Type				
X.	±0.60	X.	±5°	UNITS	mm	SHEET SIZE	A4				
.X	±0.38	.X	±3°			SERIES	DS1162-14 SERIES				
.XX	±0.25	.XX	±2°								
DRAWING TYPE		CUSTOMER			晨翔电子有限公司 CONNFLY CONNELY ELECTRONIC CO. LTD						
SCALE		1:1	SHEET							5 OF 5	
DRAWING NO.		C-DS1162-14-XXXXX-A									

X-ON Electronics

Largest Supplier of Electrical and Electronic Components

Click to view similar products for [Solar Connectors](#) / [Photovoltaic Connectors](#) category:

Click to view products by [Connfly](#) manufacturer:

Other Similar products are found below :

[1971861-4](#) [1971861-3](#) [PV-090508-M06-N](#) [1987558-2](#) [1627092](#) [20500401-T100000LF](#) [32.0197](#) [32.0717](#) [32.0325P0001](#) [32.0263P0001](#)
[DS1162-03-3MV6B6](#) [DS1162-14-1T3AB6P](#) [DS1162-03-3FV6B6](#) [DS1162-03-5FV6B6](#) [32.0321P0001](#) [32.0320P0001](#) [DS1162-23-A6BP10](#)
[IS14110N](#) [DS1162-03-5MC6B10](#) [32.0266P0001](#) [32.0267P0001](#) [32.0107P0001](#) [DS1162-03-5MV6B6](#) [32.0324P0001](#) [DS1162-03-5FC6B10](#)
[DS1162-14-1T5AB6P](#) [32.0034P0001](#) [32.0716](#) [DS1162-03-3MC6B10](#) [DS1162-21-AC6B1A](#) [DS1162-22-A6BP10](#) [32.0507P0001](#)
[32.0521P0001](#) [DS1162-03-3FC6B10](#) [32.0035P0001](#) [32.0317P0001](#) [32.0316P0001](#) [1017635](#) [1-2306314-1](#) [1-2306314-2](#) [1302440201](#)
[1303450000](#) [PV-STICK+ VPE10](#) [1303490000](#) [PV-STICK- VPE10](#) [1422030000](#) [PV-STICK SET](#) [1987424-1](#) [1987419-1](#) [2270154-2](#) [2270184-](#)
[3](#) [2-1971861-1](#) [2-1971861-2](#)