

(Series Image-Reference Only)

REV.	DESCRIPTION	DRAWN	CHECKED	APPROVED
A	NEW RELEASE	JLZ 05/30/23'		

- Notes:
- Specifications:
- Contact Resistance: 0.5mΩ Max.
 - Insulation Resistance: 1000MΩ Min.
 - Current Rating:50A.
 - Voltage Rating:1500V DC.
 - Degree of protection: IP2X/IP67
 - Temperature: -40°C~+90°C.

- Materials:
- Insulating material: Thermoplastic,Black.
 - Waterproof Plug: Silicone rubber,Salmon.
 - Contact material: Copper alloy,Tin plated.

Product Number Code:

DS1162-14 - X X X X X

- Packing Type
P: Polybag
- Contact plating
6: Tin
- Housing color
B: Black
- Connector type
A: Adaptor
- No. of contacts
1F2M: 1Female+2Male
1M2F: 1Male+2Female
1T2: 1F2M+1M2F

The information provided herein is from CONNELY Electronic Co., Ltd. and is confidential. Any disclosure to a party other than the recipient is prohibited. The intellectual properties and its rights contained herein, including but not limited to, trademarks, patents, copyrights, trade secrets, and technical know-how, are owned exclusively by CONNELY or its affiliates. Unauthorized use of this information in any format or manner. CONNELY may enforce its intellectual property rights at its own discretion; failures or delays to exercise such rights does not constitute a waiver of such rights.

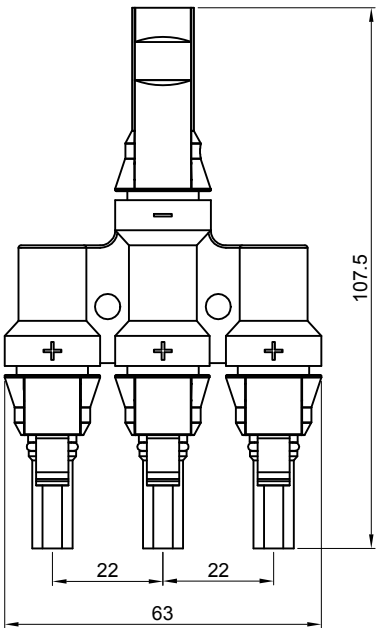
GENERAL TOLERANCE		ANGLE TOLERANCE		PROJECTION		TITLE	Solar Branch Connector 1 To 2 Type	
X.	±0.60	X.	±5°	UNITS	mm			
.X	±0.38	.X	±3°	SHEET SIZE	A4	SERIES	DS1162-14 SERIES	
.XX	±0.25	.XX	±2°					
DRAWING TYPE		CUSTOMER						
SCALE		1:1	SHEET		1 OF 5			
DRAWING NO.		C-DS1162-14-XXXXX-A						



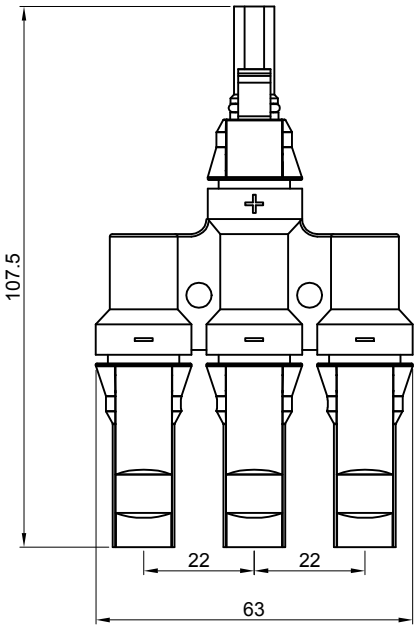
The information provided herein is from CONNELY Electronic Co., Ltd. and is confidential. Any disclosure to a party other than the recipient is prohibited. The intellectual properties and its rights contained herein, including but not limited to, trademarks, patents, copyrights, trade secrets, and technical know-how, are owned exclusively by CONNELY or its affiliates. Unauthorized use of this information in any format or manner, CONNELY may enforce its intellectual property rights at its own discretion; failures or delays to exercise such rights does not constitute a waiver of such rights.

1 2 3 4 5 6 7 8

REV.	DESCRIPTION	DRAWN	CHECKED	APPROVED
A	NEW RELEASE	JLZ 05/30/23'		



1M3F



1F3M



(Series Image-Reference Only)

Notes:

Specifications:

- Contact Resistance: 0.5mΩ Max.
- Insulation Resistance: 1000MΩ Min.
- Current Rating:50A.
- Voltage Rating:1500V DC.
- Degree of protection: IP2X/IP67
- Temperature: -40°C~+90°C.

Materials:

- Insulating material: Thermoplastic,Black.
- Waterproof Plug: Silicone rubber,Salmon.
- Contact material: Copper alloy,Tin plated.

Product Number Code:

DS1162-14 - X X X X X

- Packing Type
P: Polybag
- Contact plating
6: Tin
- Housing color
B: Black
- Connector type
A: Adaptor
- No. of contacts
1F3M: 1Female+3Male
1M3F: 1Male+3Female
1T3: 1F3M+1M3F

GENERAL TOLERANCE		ANGLE TOLERANCE		PROJECTION		TITLE	Solar Branch Connector 1 To 3 Type	
X.	±0.60	X.	±5°	UNITS	mm			
.X	±0.38	.X	±3°	SHEET SIZE	A4	SERIES	DS1162-14 SERIES	
.XX	±0.25	.XX	±2°	晨翔电子有限公司 CONNFLY CONNELY ELECTRONIC CO. LTD				
DRAWING TYPE		CUSTOMER						
SCALE	1:1	SHEET	2 OF 5					
DRAWING NO.		C-DS1162-14-XXXXX-A						

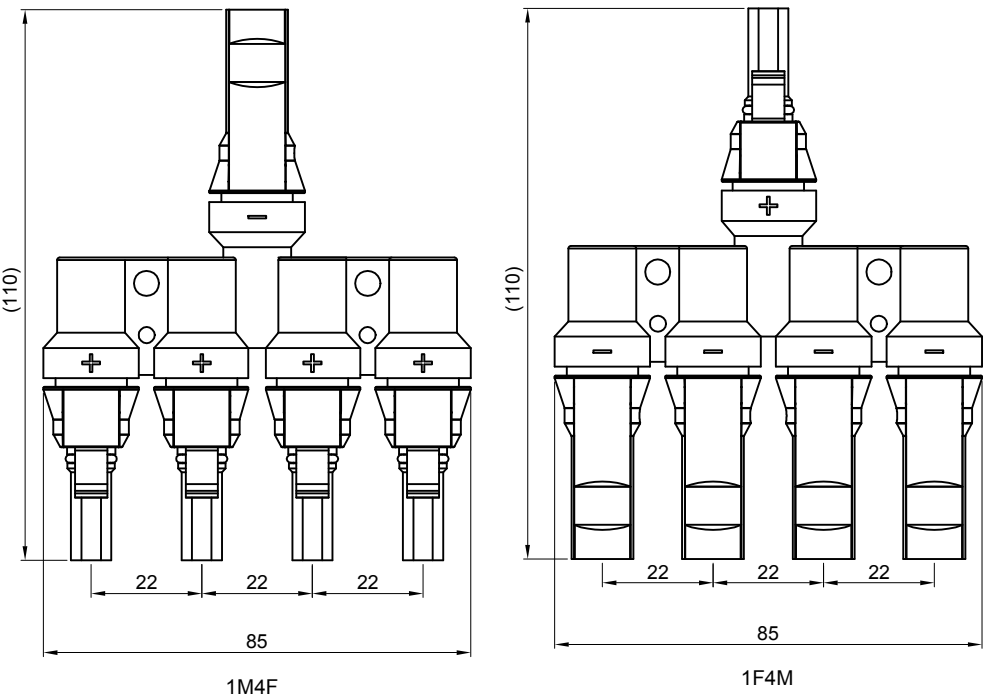
晨翔电子有限公司
CONNFLY CONNELY ELECTRONIC CO. LTD

1 2 3 4 5 6 7 8

The information provided herein is from CONNELY Electronic Co., Ltd. and is confidential. Any disclosure to a party other than the recipient is prohibited. The intellectual properties and its rights contained herein, including but not limited to, trademarks, patents, copyrights, trade secrets, and technical know-how, are owned exclusively by CONNELY or its affiliates. Unauthorized use of this information in any format or manner, CONNELY may enforce its intellectual property rights at its own discretion; failures or delays to exercise such rights does not constitute a waiver of such rights.

1 2 3 4 5 6 7 8

REV.	DESCRIPTION	DRAWN	CHECKED	APPROVED
A	NEW RELEASE	JLZ 05/30/23'		



Notes:

Specifications:

- Contact Resistance: 0.5mΩ Max.
- Insulation Resistance: 1000MΩ Min.
- Current Rating:50A.
- Voltage Rating:1500V DC.
- Degree of protection: IP2X/IP67
- Temperature: -40°C~+90°C.

Materials:

- Insulating material: Thermoplastic,Black, UL 94 V-0 or UL 94 HB.
- Waterproof Plug: Silicone rubber,Salmon.
- Contact material: Copper alloy,Tin plated.

Product Number Code:

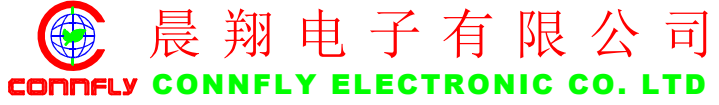
DS1162-14 - X X X X X

- Packing Type: P: Polybag
- Contact plating: 6: Tin
- Housing color: B: Black
- Connector type: A: Adaptor
- No. of contacts: 1F4M: 1Female+4Male, 1M4F: 1Male+4Female, 1T4: 1F4M+1M4F



(Series Image-Reference Only)

GENERAL TOLERANCE		ANGLE TOLERANCE		PROJECTION		TITLE	Solar Branch Connector 1 To 4 Type	
X.	±0.60	X.	±5°	UNITS	mm			
.X	±0.38	.X	±3°	SHEET SIZE	A4	SERIES	DS1162-14 SERIES	
.XX	±0.25	.XX	±2°					
DRAWING TYPE		CUSTOMER						
SCALE		1:1	SHEET		3 OF 5			
DRAWING NO.		C-DS1162-14-XXXXX-A						

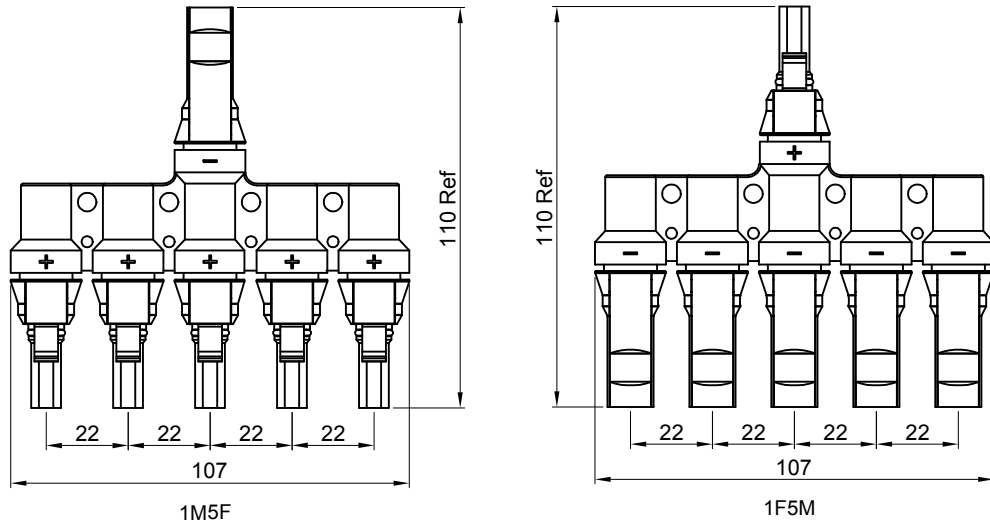


1 2 3 4 5 6 7 8

The information provided herein is from CONNELY Electronic Co., Ltd. and is confidential. Any disclosure to a party other than the recipient is prohibited. The intellectual properties and its rights contained herein, including but not limited to, trademarks, patents, copyrights, trade secrets, and technical know-how, are owned exclusively by CONNELY or its affiliates. Unauthorized use of this information in any format or manner. CONNELY may enforce its intellectual property rights at its own discretion; failures or delays to exercise such rights does not constitute a waiver of such rights.

1 2 3 4 5 6 7 8

REV.	DESCRIPTION	DRAWN	CHECKED	APPROVED
A	NEW RELEASE	JLZ 05/30/23'		



Notes:

Specifications:

- Contact Resistance: 0.5mΩ Max.
- Insulation Resistance: 1000MΩ Min.
- Current Rating:50A.
- Voltage Rating:1500V DC.
- Degree of protection: IP2X/IP67
- Temperature: -40°C~+90°C.

Materials:

- Insulating material: Thermoplastic,Black.
- Waterproof Plug: Silicone rubber,Salmon.
- Contact material: Copper alloy,Tin plated.

Product Number Code:

DS1162-14 - X X X X X

- X: No. of contacts
- 1F5M: 1Female+5Male
- 1M5F: 1Male+5Female
- 1T5: 1F5M+1M5F

- Connector type
- A: Adaptor

- Housing color
- B: Black

- Contact plating
- 6: Tin

- Packing Type
- P: Polybag



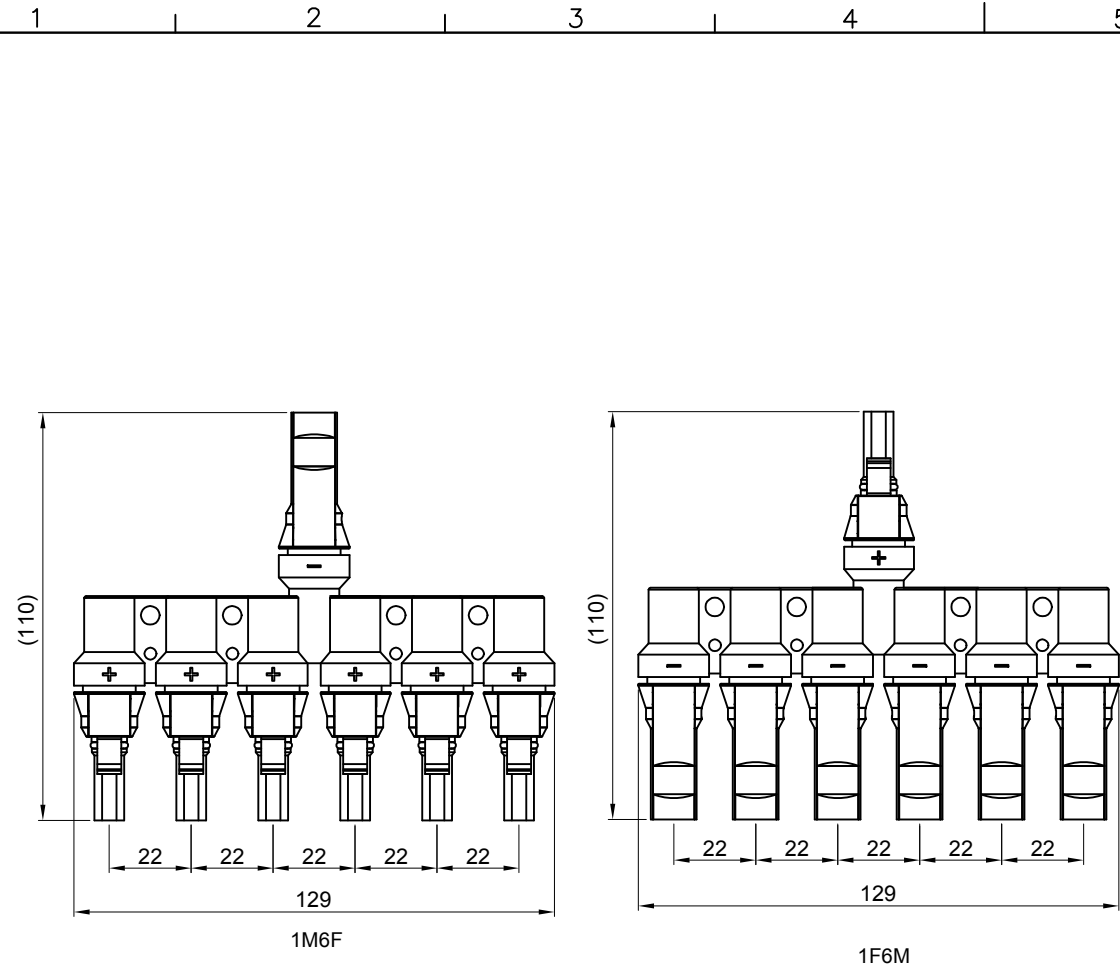
(Series Image-Reference Only)

GENERAL TOLERANCE		ANGLE TOLERANCE		PROJECTION		TITLE	Solar Branch Connector 1 To 5 Type	
X.	±0.60	X.	±5°	UNITS	mm			
.X	±0.38	.X	±3°	SHEET SIZE	A4	SERIES	DS1162-14 SERIES	
.XX	±0.25	.XX	±2°					
DRAWING TYPE		CUSTOMER						
SCALE		1:1	SHEET		4 OF 5			
DRAWING NO.		C-DS1162-14-XXXXX-A						

晨翔电子有限公司
CONNFLY CONNELY ELECTRONIC CO. LTD

1 2 3 4 5 6 7 8

The information provided herein is from CONNELY Electronic Co., Ltd. and is confidential. Any disclosure to a party other than the recipient is prohibited. The intellectual properties and its rights contained herein, including but not limited to, trademarks, patents, copyrights, trade secrets, and technical know-how, are owned exclusively by CONNELY or its affiliates. Unauthorized use of this information in any format or manner. CONNELY may enforce its intellectual property rights at its own discretion; failures or delays to exercise such rights does not constitute a waiver of such rights.



(Series Image-Reference Only)

REV.	DESCRIPTION	DRAWN	CHECKED	APPROVED
A	NEW RELEASE	JLZ 05/30/23'		

Notes:

Specifications:

- Contact Resistance: 0.5mΩ Max.
- Insulation Resistance: 1000MΩ Min.
- Current Rating:50A.
- Voltage Rating:1500V DC.
- Degree of protection: IP2X/IP67
- Temperature: -40°C~+90°C.

Materials:

- Insulating material: Thermoplastic,Black.
- Waterproof Plug: Silicone rubber,Salmon.
- Contact material: Copper alloy,Tin plated.

Product Number Code:

DS1162-14 - X X X X X

- Packing Type
P: Polybag
- Contact plating
6: Tin
- Housing color
B: Black
- Connector type
A: Adaptor
- No. of contacts
1F6M: 1Female+6Male
1M6F: 1Male+6Female
1T6: 1F6M+1M6F

GENERAL TOLERANCE		ANGLE TOLERANCE		PROJECTION		TITLE	Solar Branch Connector 1 To 6 Type	
X.	±0.60	X.	±5°	UNITS	mm			
.X	±0.38	.X	±3°	SHEET SIZE	A4	SERIES	DS1162-14 SERIES	
.XX	±0.25	.XX	±2°	晨翔电子有限公司 CONNELY CONNELY ELECTRONIC CO. LTD				
DRAWING TYPE		CUSTOMER						
SCALE	1:1	SHEET	5 OF 5					
DRAWING NO.		C-DS1162-14-XXXXX-A						

X-ON Electronics

Largest Supplier of Electrical and Electronic Components

Click to view similar products for [Solar Connectors](#) / [Photovoltaic Connectors](#) category:

Click to view products by [Connfly](#) manufacturer:

Other Similar products are found below :

[1971861-4](#) [1971861-3](#) [PV-090508-M06-N](#) [1987558-2](#) [1627092](#) [20500401-T100000LF](#) [32.0197](#) [32.0717](#) [32.0263P0001](#) [DS1162-03-3MV6B6](#) [DS1162-14-1T3AB6P](#) [DS1162-03-3FV6B6](#) [DS1162-03-5FV6B6](#) [32.0321P0001](#) [32.0320P0001](#) [DS1162-23-A6BP10](#) [IS14110N](#) [DS1162-03-5MC6B10](#) [32.0266P0001](#) [32.0267P0001](#) [32.0107P0001](#) [DS1162-03-5MV6B6](#) [32.0324P0001](#) [DS1162-03-5FC6B10](#) [DS1162-14-1T5AB6P](#) [32.0034P0001](#) [32.0716](#) [DS1162-03-3MC6B10](#) [DS1162-21-AC6B1A](#) [DS1162-22-A6BP10](#) [32.0507P0001](#) [32.0521P0001](#) [DS1162-03-3FC6B10](#) [32.0035P0001](#) [32.0317P0001](#) [32.0316P0001](#) [32.0121P0001](#) [52597](#) [32.0014P0001-UR](#) [32.0016P0001-UR](#) [DS1162-14-1T6AB6P](#) [52600](#) [32.0015P0001-UR](#) [52598](#) [32.0262P0001](#) [52599](#) [52596](#) [32.0196](#) [1017635](#) [1-2306314-1](#)