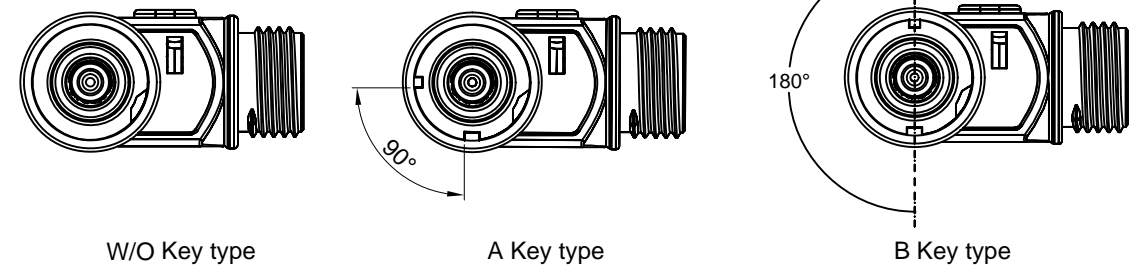
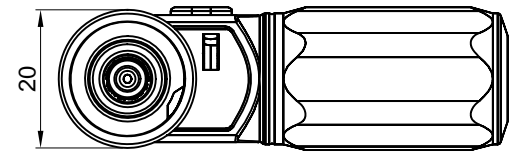
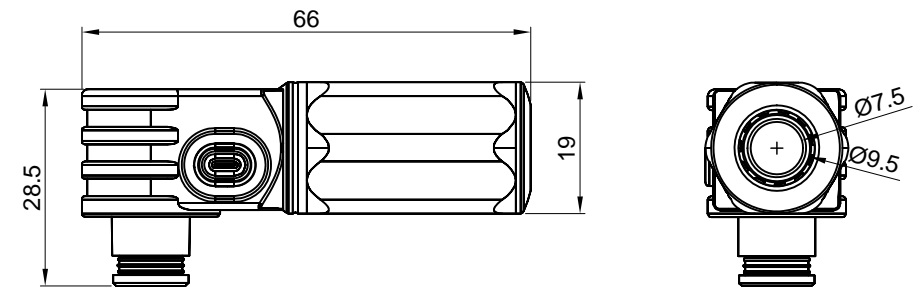


The information provided herein is from CONNELY Electronic Co., Ltd. and is confidential. Any disclosure to a party other than the recipient is prohibited. The intellectual properties and its rights contained herein, including but not limited to, trademarks, patents, copyrights, trade secrets, and technical know-how, are owned exclusively by CONNELY or its affiliates. Unauthorized use or reproduction of any part of this document is strictly prohibited. CONNELY may enforce its intellectual property rights at its own discretion, failures or delays to exercise such rights does not constitute a waiver of such rights.

REV.	DESCRIPTION	DRAWN	CHECKED	APPROVED
A	NEW RELEASE	JLZ 06/18/22'		



(Series Image-Reference Only)

NOTES:

Rated voltage:1000V/DC.
 Rated current:120A(25mm²) Max.
 Temp.Range:-40°C~+125°C.
 Protection grade:IP67.
 Suitable cable cross sections: 16mm²-25mm² or AWG6/4.
 Cable OD:Ø7.5mm-Ø9.5mm.

Materials:
 Contact: Copper Alloy,Ag plated.
 Insulator: Nylon.
 Sealings: Silicone

Product Number Code:
 DS1168-01 - X X X X X X

- Key type
- X:W/O Key
- A:A Key type
- B:B Key type

- Contact plating
- Y:Silver

- Housing color
- B:Black
- E:Orange

- Mounting type
- R: R/A type

- Connector type
- F: Female

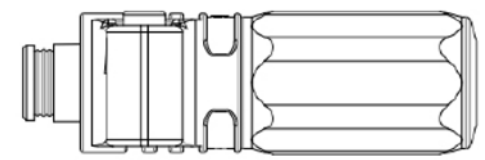
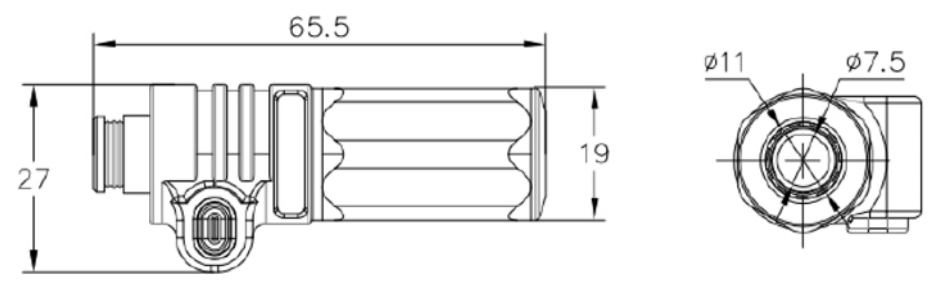
- Rated current
- 120:120A

GENERAL TOLERANCE		ANGLE TOLERANCE		PROJECTION		TITLE	120A Energy Storage Connector	
X.	±0.60	X.	±5°	UNITS	mm		R/A Type	
.X	±0.38	.X	±3°	SHEET SIZE	A4	SERIES	DS1168-01 SERIES	
.XX	±0.25	.XX	±2°	晨翔电子有限公司 CONNFLY CONNELY ELECTRONIC CO. LTD				
DRAWING TYPE		CUSTOMER						
SCALE	1:1	SHEET	1 OF 3					
DRAWING NO.		C-DS1168-01-XXXXXX-A						

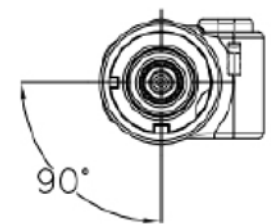
Dept	
Qty	
DC	1
ED	1
IE	1
ISO	1
PD	1
R&D	1
SD	1
QA	1
QC	1
QE	1

The information provided herein is from CONNELY Electronic Co., Ltd. and is confidential. Any disclosure to a party other than the recipient is prohibited. The intellectual properties and its rights contained herein, including but not limited to, trademarks, patents, copyrights, trade secrets, and technical know-how, are owned exclusively by CONNELY or its affiliates. Unauthorized use or reproduction of any part of this document is strictly prohibited. CONNELY may enforce its intellectual property rights at its own discretion, failures or delays to exercise such rights does not constitute a waiver of such rights.

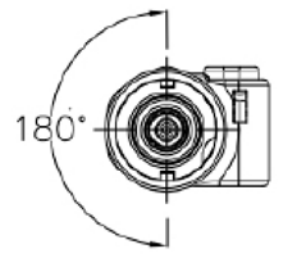
REV.	DESCRIPTION	DRAWN	CHECKED	APPROVED
A	NEW RELEASE	JLZ 06/18/22'		



W/O Key type



A Key type



B Key type



(Series Image-Reference Only)

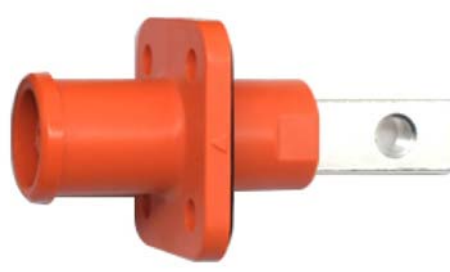
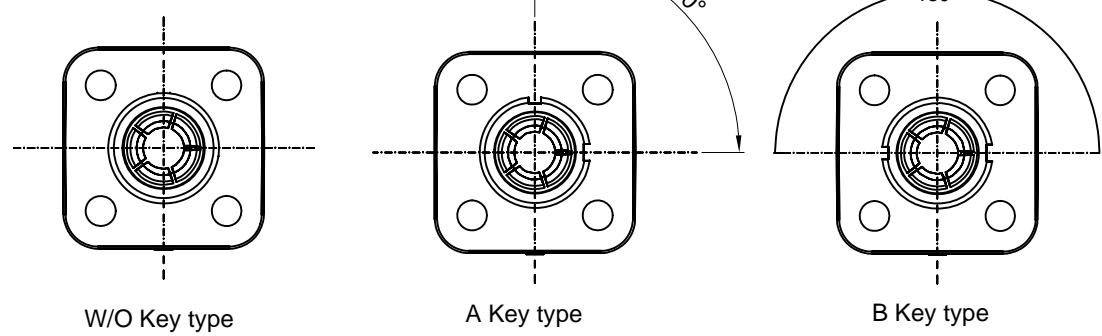
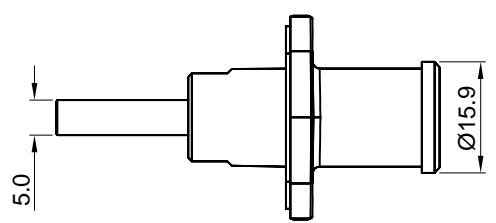
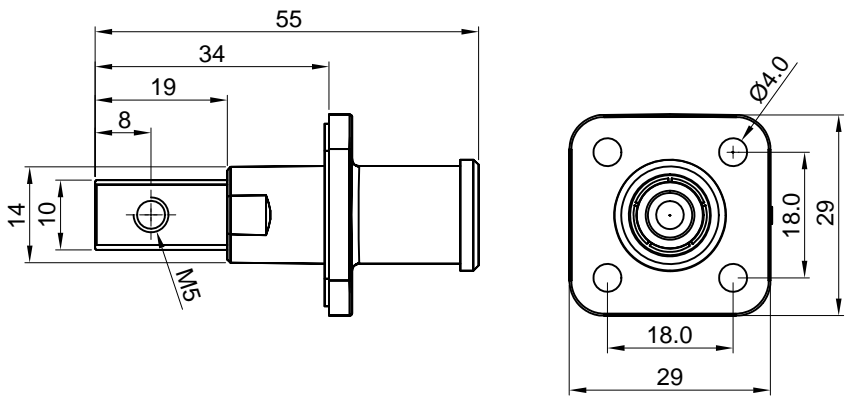
NOTES:
 Rated voltage:1000V/DC.
 Rated current:120A(25mm²) Max.
 Temp.Range:-40°C~+125°C.
 Protection grade:IP67.
 Suitable cable cross sections: 16mm²-25mm² or AWG6/4.
 Cable OD:Ø7.5mm-Ø9.5mm.
Materials:
 Contact: Copper Alloy,Ag plated.
 Insulator: Nylon.
 Sealings: Silicone
Product Number Code:
 DS1168-01 - X X X X X X

- Key type
- X:W/O Key
- A:A Key type
- B:B Key type
- Contact plating
- Y:Silver
- Housing color
- B:Black
- E:Orange
- Mounting type
- S: Straight Type
- Connector type
- F: Female
- Rated current
- 120:120A

GENERAL TOLERANCE		ANGLE TOLERANCE		PROJECTION		TITLE	120A Energy Storage Connector	
X.	±0.60	X.	±5°	UNITS	mm	Female Straight Type		
.X	±0.38	.X	±3°	SHEET SIZE	A4	SERIES	DS1168-01 SERIES	
.XX	±0.25	.XX	±2°	晨翔电子有限公司 CONNFLY CONNELY ELECTRONIC CO. LTD				
DRAWING TYPE		CUSTOMER						
SCALE	1:1	SHEET	2 OF 3					
DRAWING NO.		C-DS1168-01-XXXXXX-A						

Dept	
Qty	
DC	1
ED	1
IE	1
ISO	1
PD	1
R&D	1
SD	1
QA	1
QC	1
QF	1

The information provided herein is from CONNELY Electronic Co., Ltd. and is confidential. Any disclosure to a party other than the recipient is prohibited. The intellectual properties and its rights contained herein, including but not limited to, trademarks, patents, copyrights, trade secrets, and technical know-how, are owned exclusively by CONNELY or its affiliates. Unauthorized use or reproduction of any part of this document is strictly prohibited. CONNELY may enforce its intellectual property rights at its own discretion, failures or delays to exercise such rights does not constitute a waiver of such rights.



(Series Image-Reference Only)

REV.	DESCRIPTION	DRAWN	CHECKED	APPROVED
A	NEW RELEASE	JLZ 06/18/22'		

NOTES:
 Rated voltage:1000V/DC.
 Rated current:120A(25mm²) Max.
 Temp.Range:-40°C~+125°C.
 Protection grade:IP67.
Materials:
 Contact: Copper Alloy,Ag plated.
 Insulator: Nylon.
 Sealings: Silicone
 Product Number Code:
 DS1168-01 - X X X X X X

- Key type
- X:W/O Key
- A:A Key type
- B:B Key type
- Contact plating
- Y:Silver
- Housing color
- B:Black
- E:Orange
- Mounting type
- S: Straight Type
- Connector type
- M: Male
- Rated current
- 120:120A

GENERAL TOLERANCE		ANGLE TOLERANCE		PROJECTION		TITLE	
X.	±0.60	X.	±5°	UNITS	mm	120A Energy Storage Connector Male Type	
.X	±0.38	.X	±3°	SHEET SIZE	A4	SERIES	DS1168-01 SERIES
.XX	±0.25	.XX	±2°	晨翔电子有限公司 CONNFLY CONNELY ELECTRONIC CO. LTD			
DRAWING TYPE		CUSTOMER					
SCALE	1:1	SHEET	3 OF 3				
DRAWING NO.		C-DS1168-01-XXXXXX-A					

X-ON Electronics

Largest Supplier of Electrical and Electronic Components

Click to view similar products for [DC Power Connectors](#) category:

Click to view products by [Connfly](#) manufacturer:

Other Similar products are found below :

[KLDX-SMT-0202-BPTR](#) [171-0722-E](#) [K596](#) [KLD-0201-BC](#) [4C6831AX](#) [10073976-112LF](#) [LCB60PW-M](#) [LCB30PW-M](#) [LCB60PB-M](#)
[LCC30PB-M](#) [LCB50PW-M](#) [LCB50-M](#) [LCB60-F](#) [LCC30-M](#) [LCB40PW-M](#) [LCC30PW-M](#) [LCB50-F](#) [LCB40-F](#) [LCB30-F](#) [LCC40-M](#)
[LCC40PB-M](#) [LCB40PB-M](#) [LCC40-F](#) [LCB60-M](#) [LCC40PW-M](#) [LCB50PB-M](#) [DC-002-100](#) [DC-031A-130](#) [DC-031A-100](#) [DC-003A-130](#)
[DC-045-130](#) [DC-192-130](#) [DC-033-130](#) [DC-011-100](#) [DC-002F-130](#) [DC-002-130](#) [DB-14-2F](#) [DC-183B](#) [DC-060-04A](#) [DC-099-200](#) [DC-015-](#)
[250-A](#) [DC-016-200-A](#) [DC-005A-200](#) [DC-044A-200](#) [DC-088-200](#) [DC-022A-200](#) [DC-038-150](#) [DC-012A-250](#) [DC-005C-130](#) [DC-012A-200](#)