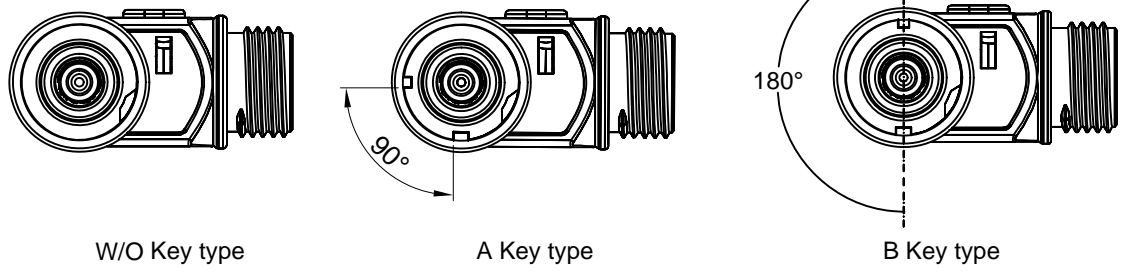
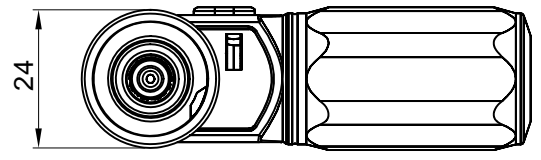
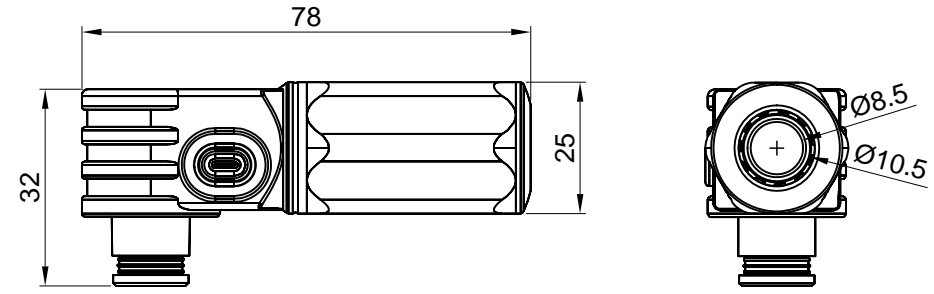


The information provided herein is from CONNELY Electronic Co., Ltd. and is confidential. Any disclosure to a party other than the recipient is prohibited. The intellectual properties and its rights contained herein, including but not limited to, trademarks, patents, copyrights, trade secrets, and technical know-how, are owned exclusively by CONNELY or its affiliates. Unauthorized use of the information herein, in any form or by any means, is strictly prohibited. CONNELY may enforce its intellectual property rights at its own discretion, failures or delays to exercise such rights does not constitute a waiver of such rights.

REV.	DESCRIPTION	DRAWN	CHECKED	APPROVED
A	NEW RELEASE	JLZ 06/18/22'		



(Series Image-Reference Only)

NOTES:

Rated voltage:1000V/DC.
 Rated current:200A(50mm²) Max.
 Temp.Range:-40°C~+125°C.
 Protection grade:IP67.
 Suitable cable cross sections: 35mm²-50mm² or AWG3/2.
 Cable OD:Ø11mm-Ø13mm

Materials:
 Contact: Copper Alloy,Ag plated.
 Insulator: Nylon.
 Sealings: Silicone

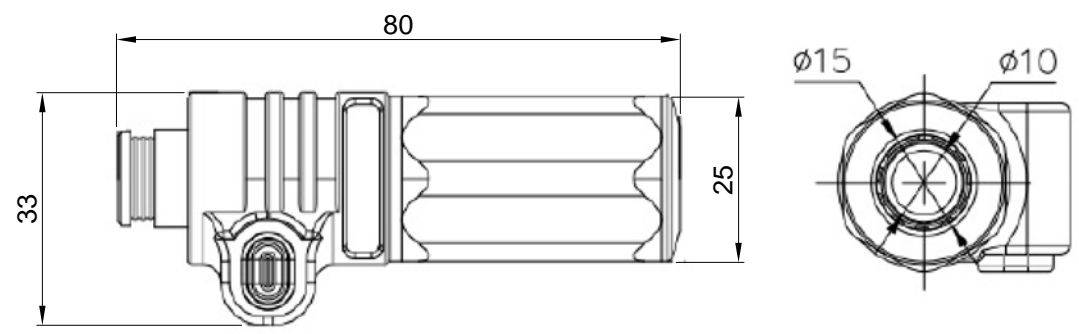
Product Number Code:
 DS1168-02 - X X X X X X

- Key type
- X:W/O Key
- A:A Key type
- B:B Key type
- Contact plating
- Y:Silver
- Housing color
- B:Black
- E:Orange
- Mounting type
- R: R/A type
- Connector type
- F: Female
- Rated current
- 200:200A

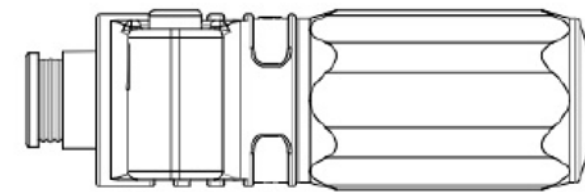
GENERAL TOLERANCE		ANGLE TOLERANCE		PROJECTION		TITLE	200A Energy Storage Connector	
X.	±0.60	X.	±5°	UNITS	mm		R/A Type	
.X	±0.38	.X	±3°	SHEET SIZE	A4	SERIES	DS1168-02 SERIES	
.XX	±0.25	.XX	±2°	晨翔电子有限公司 CONNFLY CONNELY ELECTRONIC CO. LTD				
DRAWING TYPE		CUSTOMER						
SCALE	1:1	SHEET	1 OF 3					
DRAWING NO.		C-DS1168-02-XXXXXX-A						

The information provided herein is from CONNELY Electronic Co., Ltd. and is confidential. Any disclosure to a party other than the recipient is prohibited. The intellectual properties and its rights contained herein, including but not limited to, trademarks, patents, copyrights, trade secrets, and technical know-how, are owned exclusively by CONNELY or its affiliates. Unauthorized use or reproduction of any part of this document is strictly prohibited. CONNELY may enforce its intellectual property rights at its own discretion, failures or delays to exercise such rights does not constitute a waiver of such rights.

REV.	DESCRIPTION	DRAWN	CHECKED	APPROVED
A	NEW RELEASE	JLZ 06/18/22'		



NOTES:
 Rated voltage:1000V/DC.
 Rated current:200A(50mm²) Max.
 Temp.Range:-40°C~+125°C.
 Protection grade:IP67.
 Suitable cable cross sections: 35mm²-50mm² or AWG3/2.
 Cable OD:Ø11mm-Ø13mm
Materials:
 Contact: Copper Alloy,Ag plated.
 Insulator: Nylon.
 Sealings: Silicone
 Product Number Code:



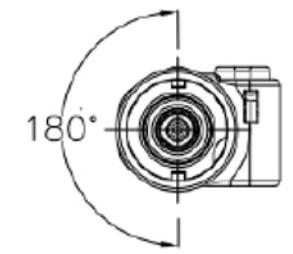
DS1168-02 - X X X X X X
 Key type
 X:W/O Key
 A:A Key type
 B:B Key type
 Contact plating
 Y:Silver
 Housing color
 B:Black
 E:Orange
 Mounting type
 S: Straight Type
 Connector type
 F: Female
 Rated current
 200:200A



W/O Key type



A Key type



B Key type

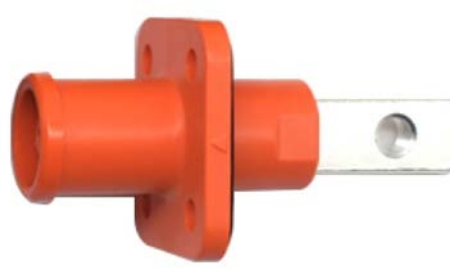
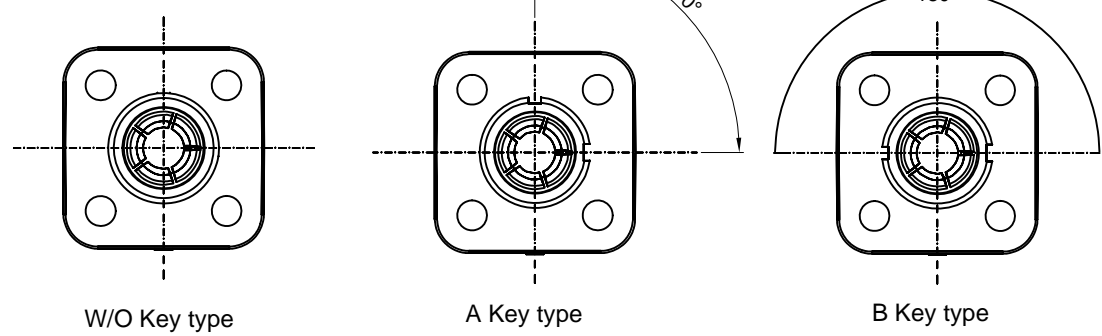
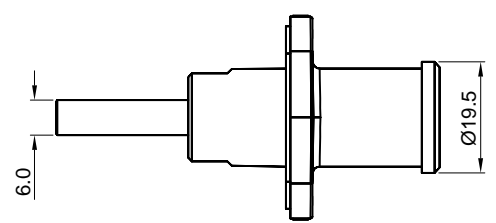
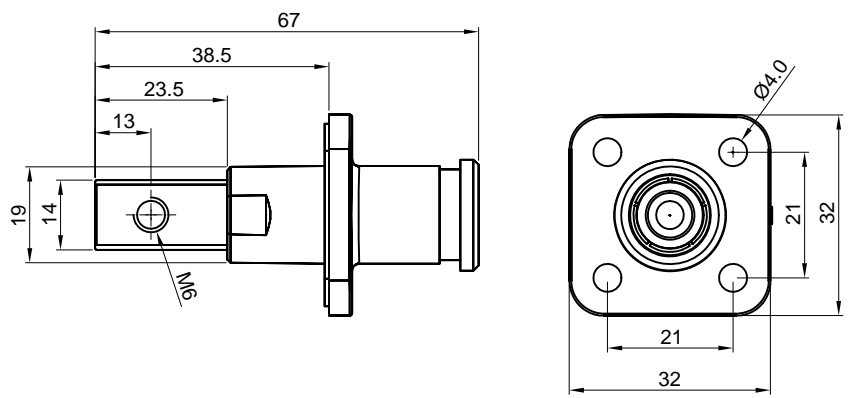


(Series Image-Reference Only)

GENERAL TOLERANCE		ANGLE TOLERANCE		PROJECTION	TITLE
X.	±0.60	X.	±5°		200A Energy Storage Connector
.X	±0.38	.X	±3°	mm	Female Straight Type
.XX	±0.25	.XX	±2°	A4	SERIES DS1168-02 SERIES
DRAWING TYPE		CUSTOMER		晨翔电子有限公司 CONNFLY ELECTRONIC CO. LTD	
SCALE	1:1	SHEET	2 OF 3		
DRAWING NO.	C-DS1168-02-XXXXXX-A				

Dept	
Qty	
DC	1
ED	1
IE	1
ISO	1
PD	1
R&D	1
SD	1
QA	1
QC	1
QF	1

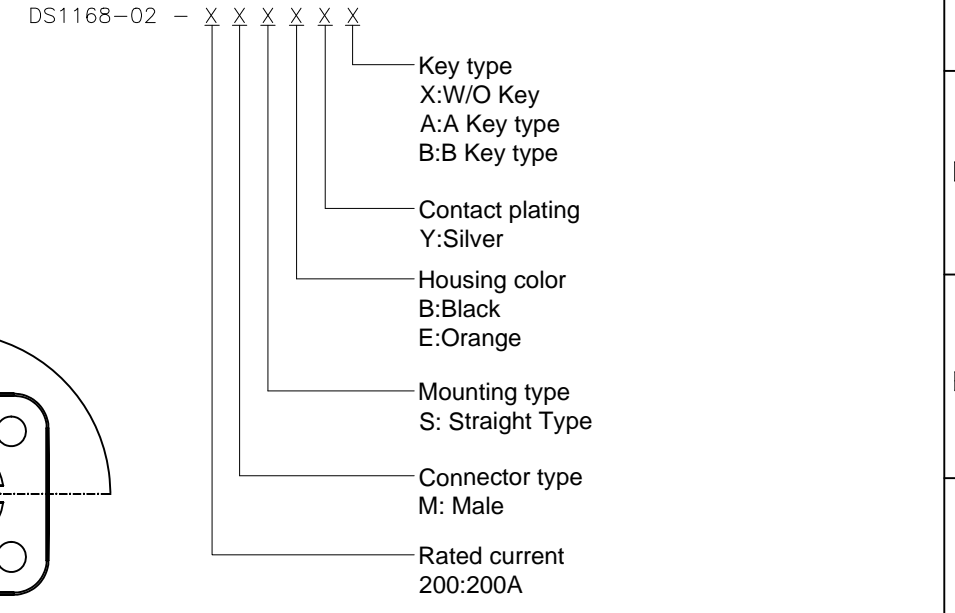
The information provided herein is from CONNELY Electronic Co., Ltd. and is confidential. Any disclosure to a party other than the recipient is prohibited. The intellectual properties and its rights contained herein, including but not limited to, trademarks, patents, copyrights, trade secrets, and technical know-how, are owned exclusively by CONNELY or its affiliates. Unauthorized use or reproduction of any part of this document is strictly prohibited. CONNELY may enforce its intellectual property rights at its own discretion, failures or delays to exercise such rights does not constitute a waiver of such rights.



(Series Image-Reference Only)

REV.	DESCRIPTION	DRAWN	CHECKED	APPROVED
A	NEW RELEASE	JLZ 06/18/22'		

NOTES:
 Rated voltage:1000V/DC.
 Rated current:200A(50mm²) Max.
 Temp.Range:-40°C~+125°C.
 Protection grade:IP67.
Materials:
 Contact: Copper Alloy,Ag plated.
 Insulator: Nylon.
 Sealings: Silicone
 Product Number Code:



GENERAL TOLERANCE		ANGLE TOLERANCE		PROJECTION		TITLE	
X.	±0.60	X.	±5°	UNITS	mm	200A Energy Storage Connector Male Type	
.X	±0.38	.X	±3°	SHEET SIZE	A4	SERIES	DS1168-02 SERIES
.XX	±0.25	.XX	±2°	晨翔电子有限公司 CONNFLY CONNELY ELECTRONIC CO. LTD			
DRAWING TYPE		CUSTOMER					
SCALE	1:1	SHEET	3 OF 3				
DRAWING NO.		C-DS1168-02-XXXXXX-A					

X-ON Electronics

Largest Supplier of Electrical and Electronic Components

Click to view similar products for [DC Power Connectors](#) category:

Click to view products by [Connfly](#) manufacturer:

Other Similar products are found below :

[KLDX-SMT-0202-BPTR](#) [171-0722-E](#) [K596](#) [KLD-0201-BC](#) [4C6831AX](#) [10073976-112LF](#) [LCB60PW-M](#) [LCB30PW-M](#) [LCB60PB-M](#)
[LCC30PB-M](#) [LCB50PW-M](#) [LCB50-M](#) [LCB60-F](#) [LCC30-M](#) [LCB40PW-M](#) [LCC30PW-M](#) [LCB50-F](#) [LCB40-F](#) [LCB30-F](#) [LCC40-M](#)
[LCC40PB-M](#) [LCB40PB-M](#) [LCC40-F](#) [LCB60-M](#) [LCC40PW-M](#) [LCB50PB-M](#) [DC-002-100](#) [DC-031A-130](#) [DC-031A-100](#) [DC-003A-130](#)
[DC-045-130](#) [DC-192-130](#) [DC-033-130](#) [DC-011-100](#) [DC-002F-130](#) [DC-002-130](#) [DB-14-2F](#) [DC-183B](#) [DC-060-04A](#) [DC-099-200](#) [DC-015-](#)
[250-A](#) [DC-016-200-A](#) [DC-005A-200](#) [DC-044A-200](#) [DC-088-200](#) [DC-022A-200](#) [DC-038-150](#) [DC-012A-250](#) [DC-005C-130](#) [DC-012A-200](#)