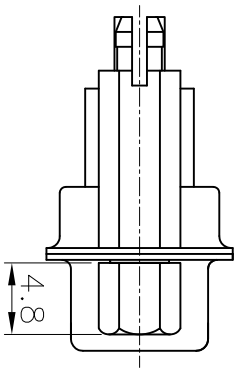
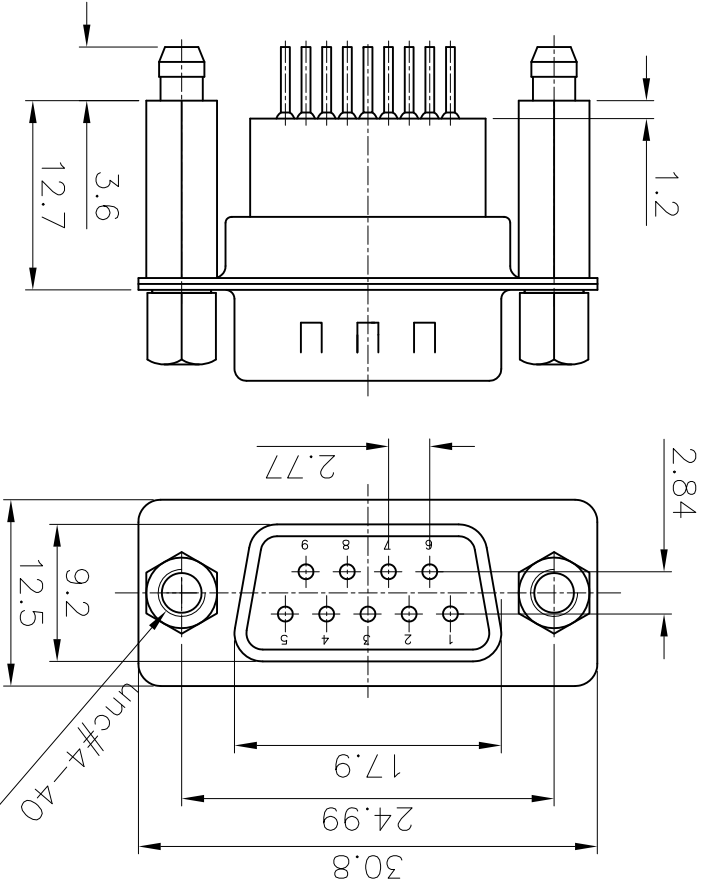


P/N CODE: C27981



- NOTES:
- ELECTRICAL CHARACTERISTICS:
1.1 CONTACT RESISTANCE: 20mΩ Max. INITIAL.
1.2 DIELECTRIC WITHSTANDING VOLTAGE: 500V AC(rms) FOR 1 MINUTE.
1.3 INSULATION RESISTANCE: 1000MΩ Min.
 - ENVIRONMENT CHARACTERISTICS:
2.1 TEMPERATURE: -40°C~+105°C.
2.2 RESISTANCE TO SOLDERING HEAT: 260±5°C 5±0.5s.
 - PRODUCT NUMBER CODE:
DS1034-01 - X X X X X X X X X X - JC
 - SCREW DIM. A
4: 4.80
 - SCREW TYPE
4: BRJ TYPE (W/O washer)
 - CONTACT PLATING
0: SELECTIVE GOLD FLASH
 - SHELL PLATING
N: FRONT SHELL NICKEL, BACK SHELL TIN
 - HOUSING COLOR
B: BLACK
 - CONNECTOR TYPE
M: MALE
 - NO. OF CONTACTS
09: 9pos.

REV.	A	DESCRIPTION	NEW RELEASE	JLZ 06/12/16	CHECKED	APPROVED

GENERAL TOLERANCE		ANGLE TOLERANCE	
X.	±0.60	X.	±5.
.X	±0.38	.X	±3.
.XX	±0.25	.XX	±2.
DRAWING TYPE CUSTOMER		DRAWING TYPE CUSTOMER	
SCALE 1:1		SCALE 1:1	
SHEET 1 OF 1		SHEET 1 OF 1	
DRAWING NO. C-DS1034-01-XXXXXXX		DRAWING NO. C-DS1034-01-XXXXXXX	

PROJECTION		TITLE	D-SUB DIP STRAIGHT WITH FORK TYPE
UNITS	mm	SHEET SIZE	A4
SHEET SIZE	A4	SERIES	DS1034-01 SERIES
CONFLY ELECTRONIC CO., LTD		CONFLY ELECTRONIC CO., LTD	

H
G
F
E
D
C
B
A

1
2
3
4
5
6
7
8

X-ON Electronics

Largest Supplier of Electrical and Electronic Components

Click to view similar products for [D-Sub Standard Connectors](#) category:

Click to view products by [Connfly](#) manufacturer:

Other Similar products are found below :

[DCM37S732N](#) [DAM15P500](#) [DEV09S364GTLF](#) [DEM09P032N](#) [DDM50P732N](#) [DAM15S332N](#) [173109-2218](#) [173109-2466](#) [173109-2436](#)
[173109-2435](#) [56F706-005-LI](#) [56F711-015](#) [015-0341-000](#) [015-0372-008](#) [015-8544-011](#) [017041-0005](#) [020419-0104](#) [012-0515-000](#) [012-9507-](#)
[034](#) [012-9507-114](#) [012-9534-001](#) [020745-0008](#) [609-25P](#) [M24308/2-23Z](#) [M243082310F](#) [M243082410F](#) [M243082411F](#) [M24308/4-21](#)
[CT1A18-11PSA206](#) [CT1N36-5SC](#) [CT2-16S-17PS](#) [CT2-20-15PCAU](#) [CT2-24-12PS](#) [CT2-24-28PSF127A206](#) [CT2-32-9PC](#) [CT6F9767-14-4-](#)
[14S-5PC](#) [CT6FA10SL-4PS](#) [CT7-18-10SC](#) [CT7-18-10SCAU](#) [CT7-18-12SCAU](#) [CT7-18-1PC](#) [CT7-18-1PCAU](#) [CT7-18-21SCAU](#) [M83513/01-](#)
[FC](#) [M83723/76W24619 L/C](#) [M85049/48-3-2F](#) [69001-865](#) [6STD09PCM99B70X](#) [6STD09SCM99B30X](#) [6STD09SCT99S40X](#)