

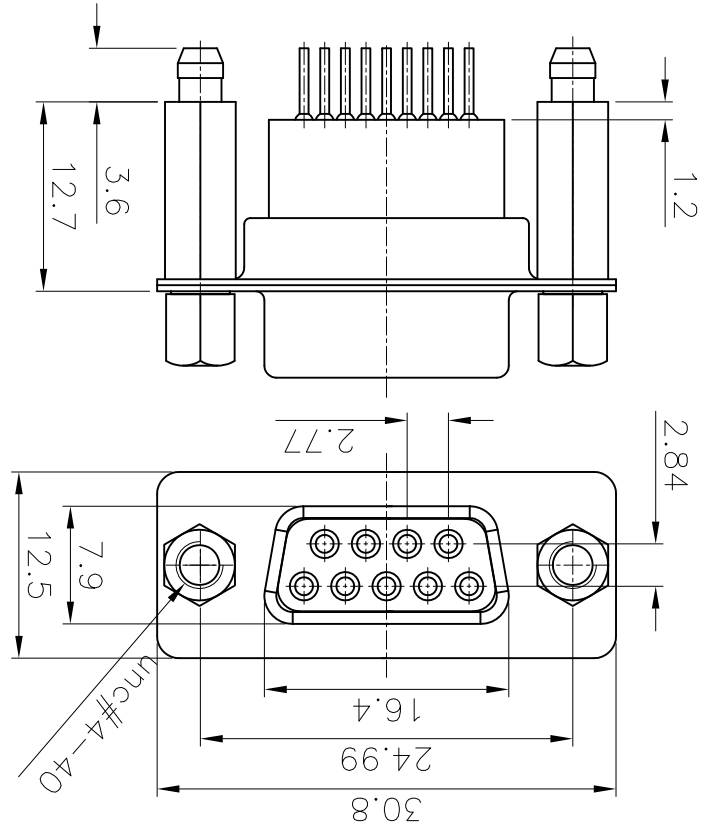
P/N CODE: C86572

REV.	DESCRIPTION	DRAWN	CHECKED	APPROVED
A	NEW RELEASE	JLZ 06/12/16		

NOTES:

- ELECTRICAL CHARACTERISTICS:
 - 1.1 CONTACT RESISTANCE: 20mΩ Max. INITIAL.
 - 1.2 DIELECTRIC WITHSTANDING VOLTAGE: 500V AC(rms) FOR 1 MINUTE.
 - 1.3 INSULATION RESISTANCE: 1000MΩ Min.
 2. ENVIRONMENT CHARACTERISTICS:
 - 2.1 TEMPERATURE: -40°C~+105°C.
 3. RESISTANCE TO SOLDERING HEAT: 260±5°C 5±0.5s.
 4. PRODUCT NUMBER CODE: DS1034-01 - X X X X X X X X X X - JC

- SCREW DIM. A: 4: 4.80
- SCREW TYPE: 4: BRJ TYPE (W/O washer)
- CONTACT PLATING: 0: SELECTIVE GOLD FLASH
- SHELL PLATING: N: FRONT SHELL NICKEL, BACK SHELL TIN
- HOUSING COLOR: B: BLACK
- CONNECTOR TYPE: F: FEMALE
- NO. OF CONTACTS: 09: 9pos.



GENERAL TOLERANCE	X. ±0.60	X. ±0.38	X. ±0.25
ANGLE TOLERANCE	±5.	±3.	±2.
DRAWING TYPE	CUSTOMER		
SCALE	1:1		
SHEET	1 OF 1		
DRAWING NO.	C-DS1034-01-XXXXXX-JC-A		

PROJECTION		TITLE	D-SUB DIP STRAIGHT WITH FORK TYPE
UNITS	mm	SHEET SIZE	A4
SERIES	DS1034-01	SERIES	DS1034-01 SERIES

CONFLY CONNELY ELECTRONIC CO., LTD



晨翔电子有限公司

X-ON Electronics

Largest Supplier of Electrical and Electronic Components

Click to view similar products for [D-Sub Standard Connectors](#) category:

Click to view products by [Connfly](#) manufacturer:

Other Similar products are found below :

[DCM37S732N](#) [DAM15P500](#) [DEV09S364GTLF](#) [DEM09P032N](#) [DDM50P732N](#) [DAM15S332N](#) [173109-2218](#) [173109-2466](#) [173109-2436](#)
[173109-2435](#) [56F706-005-LI](#) [56F711-015](#) [015-0341-000](#) [015-0372-008](#) [015-8544-011](#) [017041-0005](#) [020419-0104](#) [012-0515-000](#) [012-9507-](#)
[034](#) [012-9507-114](#) [012-9534-001](#) [020745-0008](#) [609-25P](#) [M24308/2-23Z](#) [M243082310F](#) [M243082410F](#) [M243082411F](#) [M24308/4-21](#)
[CT1A18-11PSA206](#) [CT1N36-5SC](#) [CT2-16S-17PS](#) [CT2-20-15PCAU](#) [CT2-24-12PS](#) [CT2-24-28PSF127A206](#) [CT2-32-9PC](#) [CT6F9767-14-4-](#)
[14S-5PC](#) [CT6FA10SL-4PS](#) [CT7-18-10SC](#) [CT7-18-10SCAU](#) [CT7-18-12SCAU](#) [CT7-18-1PC](#) [CT7-18-1PCAU](#) [CT7-18-21SCAU](#) [M83513/01-](#)
[FC](#) [M83723/76W24619 L/C](#) [M85049/48-3-2F](#) [69001-865](#) [6STD09PCM99B70X](#) [6STD09SCM99B30X](#) [6STD09SCT99S40X](#)