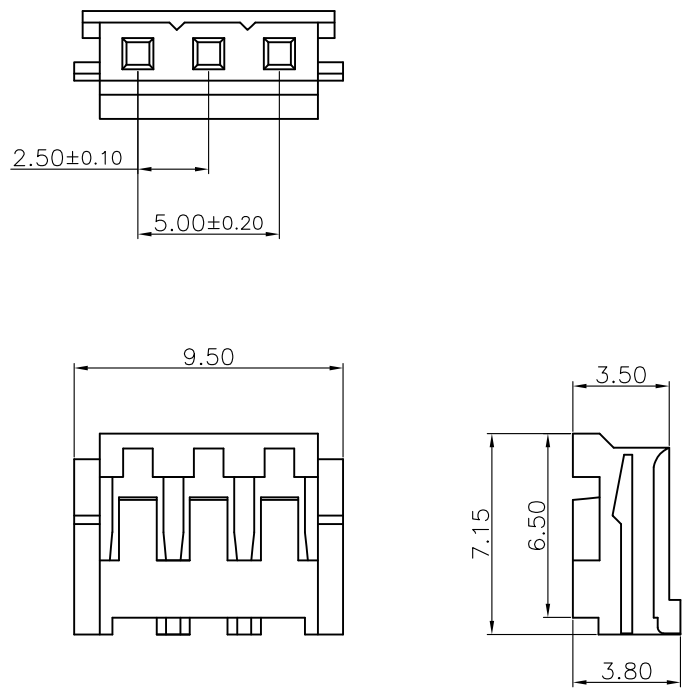


1	2	3	4	5	6	7	8	
Dept	晨翔2.5mm EH连接器胶芯, 3P, 白色			REV.	DESCRIPTION	DRAWN	CHECKED	APPROVED
Qty				A	NEW RELEASE	JLZ 06/08/24'		
DC	晨翔料号: I-DS1069-01-SCW003							
ED								
IE								
ISO								
PD								
R&D								
SD								
QA								
QC								
QE								

The information provided herein is from CONNELY Electronic Co., Ltd. and is confidential. Any disclosure to a party other than the recipient is prohibited. The intellectual properties and its rights contained herein, including but not limited to, trademarks, patents, copyrights, trade secrets, and technical know-how, are owned exclusively by CONNELY or its affiliates. Unauthorized use of this information in any format or manner. CONNELY may enforce its intellectual property rights at its own discretion; failures or delays to exercise such rights does not constitute a waiver of such rights.



- 备注:
- 电性说明:
    - 接触阻抗: 20毫欧最大(针对端子)
    - 耐压: 600伏交流电一分钟
    - 绝缘阻抗: 1000兆欧最小
    - 额定电流: 1.5安
  - 环境特性:
    - 工作温度: -40~+85° C
  - 材料:
    - 胶芯: 尼龙, 白色

GENERAL TOLERANCE		ANGLE TOLERANCE		PROJECTION		TITLE	2.5mm EH连接器胶芯, 3P, 白色	
X.	±0.50	X.	±3°	UNITS	mm			
.X	±0.38	.X	±2°	SHEET SIZE	A4	SERIES	DS1069-01 SERIES	
.XX	±0.20	.XX	±1°	<b>晨翔电子有限公司</b> <b>CONNELY CONNELY ELECTRONIC CO. LTD</b>				
DRAWING TYPE		CUSTOMER						
SCALE		1:1	SHEET 1 OF 1					
DRAWING NO.		C-DS1069-01-XXXXX-A						

## X-ON Electronics

Largest Supplier of Electrical and Electronic Components

*Click to view similar products for [Headers & Wire Housings](#) category:*

*Click to view products by [Connfly](#) manufacturer:*

Other Similar products are found below :

[0015917161](#) [0022155065](#) [57102-F02-18ULF](#) [58102-G61-06LF](#) [582553-1](#) [01.001.5753.1](#) [0050291907](#) [02.125.8002.8](#) [609-3404](#) [61062-3](#)  
[CSU011177004](#) [622-0430](#) [622-3653LF](#) [63453-116](#) [636-1030](#) [636-1427](#) [636-3427](#) [636-4007](#) [641938-9](#) [65495-038](#) [65692-001LF](#) [65781-018](#)  
[65781-047](#) [65817-010LF](#) [65817-015LF](#) [67095-007LF](#) [67601157](#) [68631-112](#) [68645-018](#) [699319-000](#) [70.362.1628.0](#) [70-4210](#) [70-4226B](#) [70-](#)  
[4853B](#) [71.350.2428.0](#) [733-134](#) [733-162](#) [MHR-64-VUAL](#) [80.063.4001.1](#) [800-90-001-10-001000](#) [801-43-002-10-013000](#) [801-43-006-10-](#)  
[002000](#) [803-43-024-10-001000](#) [803-93-012-10-001000](#) [8-1437020-4](#) [819-22-004-30-001101](#) [820-22-006-30-001101](#) [820-22-008-30-001101](#)  
[821-22-002-10-001101](#) [821-22-003-10-002101](#)