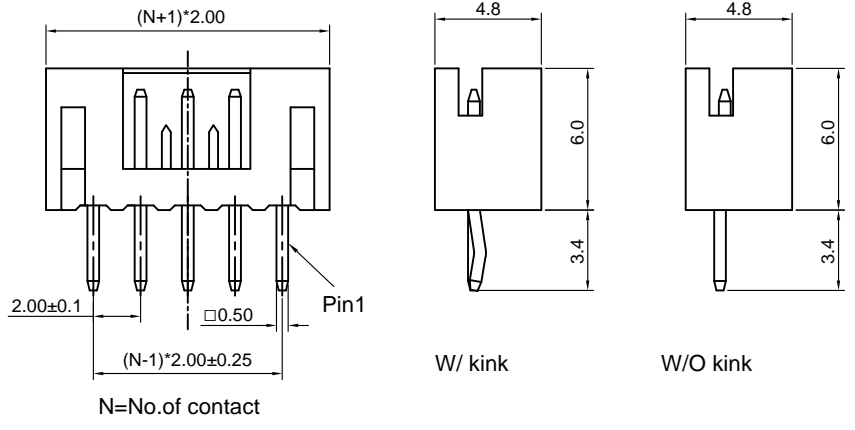


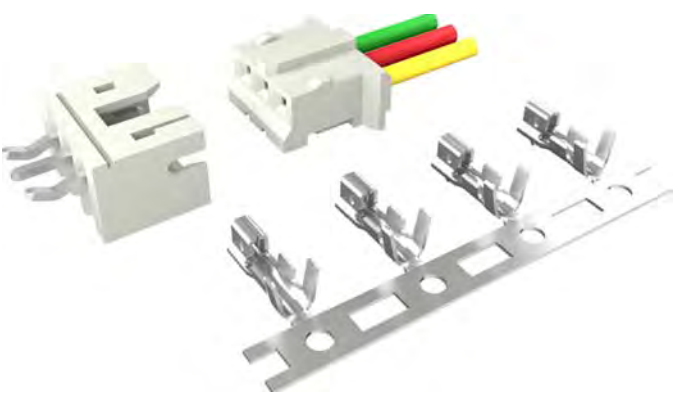
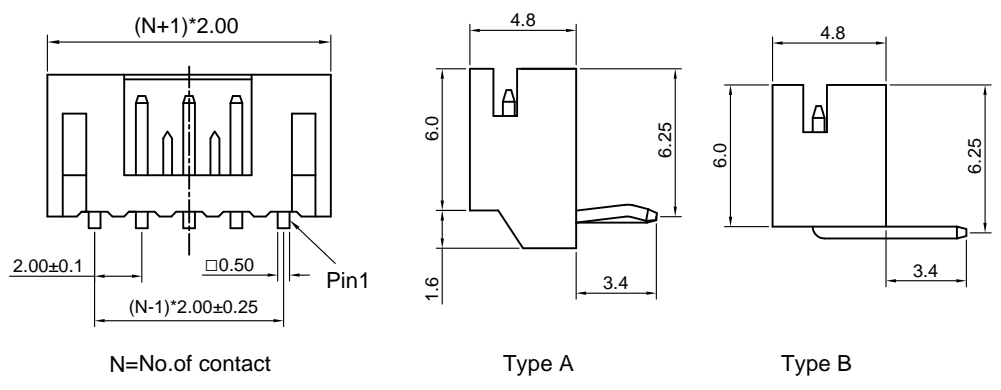
| | |
|------|---|
| Dept | |
| Qty | |
| DC | 1 |
| ED | 1 |
| IE | 1 |
| ISO | 1 |
| PD | 1 |
| R&D | 1 |
| SD | 1 |
| QA | 1 |
| QC | 1 |
| QE | 1 |

The information provided herein is from CONNPLY Electronic Co., Ltd. and is confidential. Any disclosure to a party other than the recipient is prohibited. The intellectual properties and its rights contained herein, including but not limited to, trademarks, patents, copyrights, trade secrets, and technical know-how, are owned exclusively by CONNPLY or its affiliates. Unauthorized use or reproduction of any part of this document is strictly prohibited. CONNPLY may enforce its intellectual property rights at its own discretion, failures or delays to exercise such rights does not constitute a waiver of such rights.

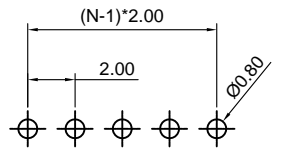
Male V/T type



Male Right Angle



(Series Image-Reference Only)



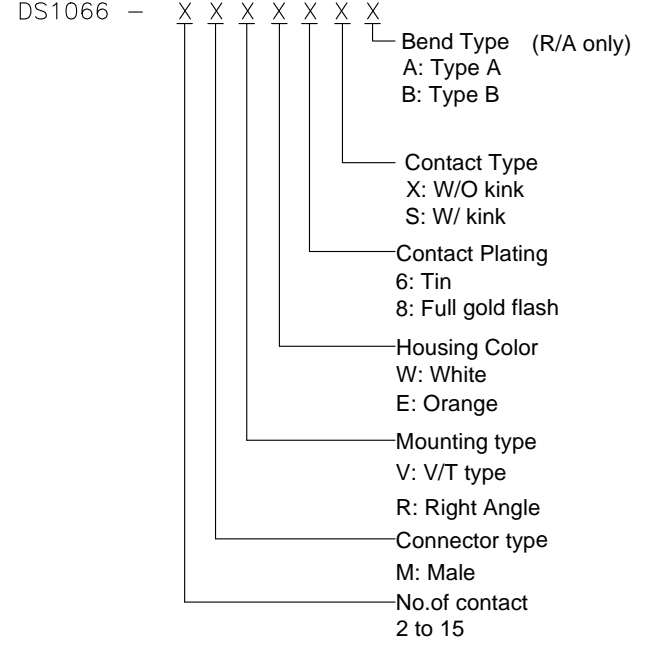
Recommended PCB Layout

| REV. | DESCRIPTION | DRAWN | CHECKED | APPROVED |
|------|----------------|---------------|---------------|---------------|
| A | NEW RELEASE | LJH 05/09/05' | | LJC 05/09/05' |
| B | DRAWING UPDATE | JLZ 06/15/16' | HZW 06/15/16' | LJC 06/15/16' |
| D | DRAWING UPDATE | JLZ 10/15/21' | | |

NOTES:

- Main specifications
 - Housing material: Nylon 66
 - Wire range: AWG#30~#24
 - Rated voltage: 100V
 - Rated current: 2A(24AWG)
 - Contact resistance: 30mΩ Max
 - Insulation resistance: 1000MΩ Min
 - Withstanding voltage: 500V,AC 1 minute
 - Temperature range: -25 ~ +85°C
 - Recommend PC board thickness:1.6mm

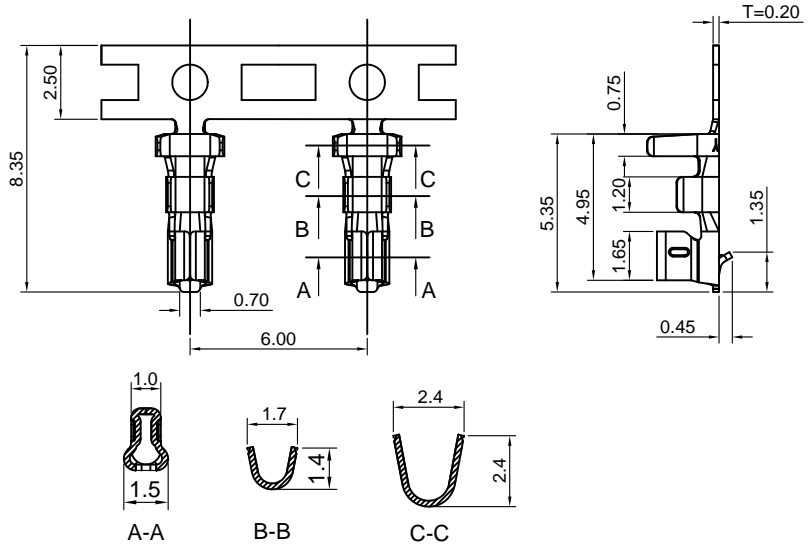
2. Product number code:



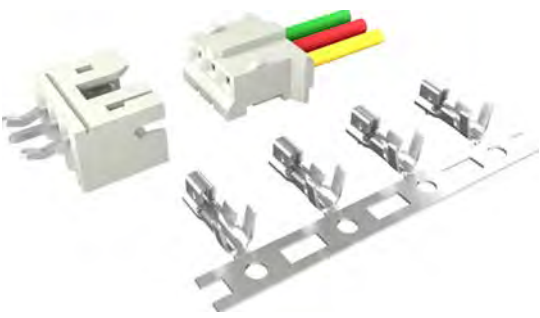
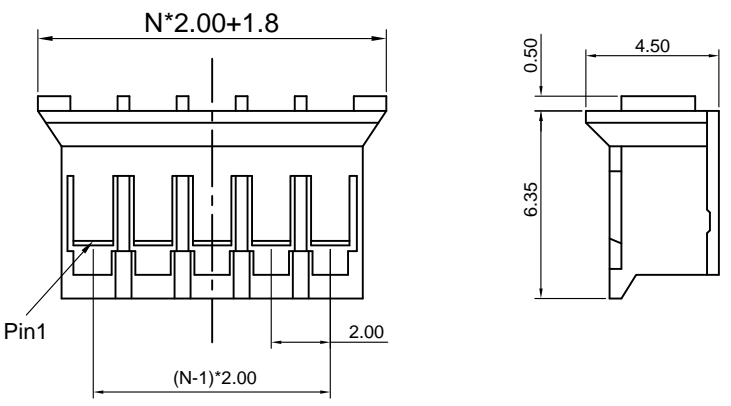
| | | | | | | | | |
|-------------------|-------|--------------------|--------|---|----|--------|-------------------------------|--|
| GENERAL TOLERANCE | | ANGLE TOLERANCE | | PROJECTION | | TITLE | P.C.B CONNECTOR 2.0mm PH TYPE | |
| X. | ±0.60 | X. | ±5° | UNITS | mm | | | |
| .X | ±0.38 | .X | ±3° | SHEET SIZE | A4 | SERIES | DS1066 SERIES | |
| .XX | ±0.25 | .XX | ±2° | 晨翔电子有限公司 CONNPLY CONNPLY ELECTRONIC CO., LTD | | | | |
| DRAWING TYPE | | CUSTOMER | | | | | | |
| SCALE | 1:1 | SHEET | 1 OF 2 | | | | | |
| DRAWING NO. | | C-DS1066-XXXXXXX-D | | | | | | |

The information provided herein is from CONNELY Electronic Co., Ltd. and is confidential. Any disclosure to a party other than the recipient is prohibited. The intellectual properties and its rights contained herein, including but not limited to, trademarks, patents, copyrights, trade secrets, and technical know-how, are owned exclusively by CONNELY or its affiliates. Unauthorized use or reproduction of any part of this document is strictly prohibited. CONNELY may enforce its intellectual property rights at its own discretion, failures or delays to exercise such rights does not constitute a waiver of such rights.

Female Terminal



Female Housing N=No.of Hole



(Series Image-Reference Only)

| REV. | DESCRIPTION | DRAWN | CHECKED | APPROVED |
|------|----------------|---------------|---------------|---------------|
| A | NEW RELEASE | LJH 05/09/05' | | LJC 05/09/05' |
| B | DRAWING UPDATE | JLZ 06/15/16' | HZW 06/15/16' | LJC 06/15/16' |
| D | DRAWING UPDATE | JLZ 10/15/21' | | |

NOTES:

- Main specifications
 - Housing material: Nylon 66
 - Wire range: AWG#30~#24
 - Rated voltage: 100V
 - Rated current: 2A(24AWG)
 - Contact resistance: 30mΩ Max
 - Insulation resistance: 1000MΩ Min
 - Withstanding voltage: 500V,AC 1 minute
 - Temperature range: -25 ~ +85°C
 - Recommend PC board thickness:1.6mm
- Product number code:

T-DS1066-S C X 0 0

Contact Plating
6: Tin

Female Terminal

| Wire Range | | O.D of Wire |
|--------------------------------|-------|-------------|
| Section Area (mm) ² | AWG# | mm |
| 0.05-0.22 | 30-24 | 0.9-1.5 |

I-DS1066-S C X 0 X

No.of Hole
02~15
Color of Housing
E: Orange
W: White

| | | | | | | | |
|-------------------|-------|--------------------|--------|---|----|-------------------------------|---------------|
| GENERAL TOLERANCE | | ANGLE TOLERANCE | | PROJECTION | | TITLE | |
| X. | ±0.60 | X. | ±5° | UNITS | mm | P.C.B CONNECTOR 2.0mm PH TYPE | |
| .X | ±0.38 | .X | ±3° | SHEET SIZE | A4 | SERIES | DS1066 SERIES |
| .XX | ±0.25 | .XX | ±2° | 晨翔电子有限公司 CONNFLY CONNFLY ELECTRONIC CO. LTD | | | |
| DRAWING TYPE | | CUSTOMER | | | | | |
| SCALE | 1:1 | SHEET | 2 OF 2 | | | | |
| DRAWING NO. | | C-DS1066-XXXXXXX-C | | | | | |

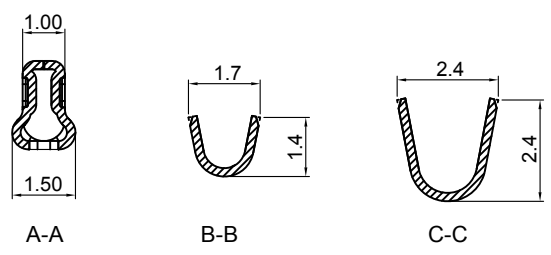
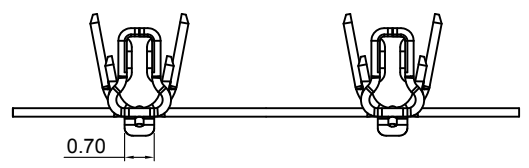
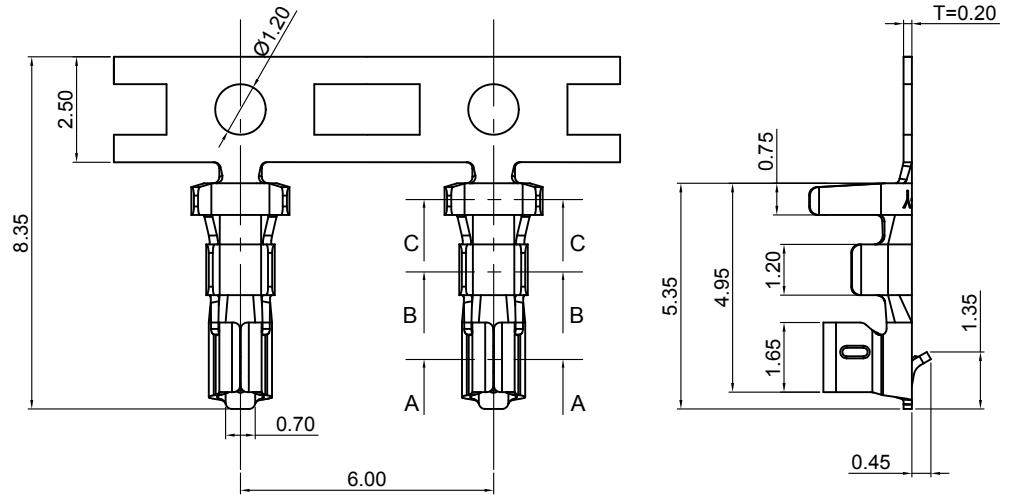
| | |
|------|---|
| Dept | |
| Qty | |
| DC | 1 |
| ED | 1 |
| IE | 1 |
| ISO | 1 |
| PD | 1 |
| R&D | 1 |
| SD | 1 |
| QA | 1 |
| QC | 1 |
| QE | 1 |

The information provided herein is from CONNELY Electronic Co., Ltd. and is confidential. Any disclosure to a party other than the recipient is prohibited. The intellectual properties and its rights contained herein, including but not limited to, trademarks, patents, copyrights, trade secrets, and technical know-how, are owned exclusively by CONNELY or its affiliates. Unauthorized use or modification is strictly prohibited without prior written consent from CONNELY. All intellectual properties provided herein are for reference purposes only and does not constitute authorization of its use in any format or manner. CONNELY may enforce its intellectual property rights at its own discretion. Inures or delays to exercise such rights does not constitute a waiver of such rights.

| REV. | DESCRIPTION | DRAWN | CHECKED | APPROVED |
|------|-------------|---------------|---------|----------|
| A | NEW RELEASE | JLZ 01/21/22' | | |
| | | | | |
| | | | | |

- NOTES:
- Main specifications
 - Contact material: Copper Alloy
 - Wire range: AWG#30~#24
 - Rated voltage: 100V
 - Rated current: 2A(24AWG)
 - Contact resistance: 30mΩ Max
 - Temperature range: -25 ~ +85°C
 - Product number code:
T-DS1066-S C X 0 0

Contact Plating
6: Tin



| GENERAL TOLERANCE | | ANGLE TOLERANCE | |
|-------------------|------------------|-----------------|--------|
| X. | ±0.60 | X. | ±5° |
| .X | ±0.38 | .X | ±3° |
| .XX | ±0.25 | .XX | ±2° |
| DRAWING TYPE | CUSTOMER | PROJECTION | |
| SCALE | 1:1 | UNITS | mm |
| DRAWING NO. | T-DS1066-SCX00-A | SHEET | 1 OF 1 |

| TITLE | P.C.B CONNECTOR 2.0mm PH TYPE | | |
|------------|-------------------------------|--------|---------------|
| SHEET SIZE | A4 | SERIES | DS1066 SERIES |

晨翔电子有限公司
CONNELY ELECTRONIC CO., LTD

X-ON Electronics

Largest Supplier of Electrical and Electronic Components

Click to view similar products for [Headers & Wire Housings](#) category:

Click to view products by [Connfly](#) manufacturer:

Other Similar products are found below :

[57102-F02-18ULF](#) [58102-G61-06LF](#) [582553-1](#) [009176003701906](#) [01.001.5753.1](#) [0050291907](#) [02.125.8002.8](#) [609-3404](#) [61062-3](#)
[CSU011177004](#) [622-0430](#) [622-3653LF](#) [63453-116](#) [636-1030](#) [636-1427](#) [636-3427](#) [636-4007](#) [641938-9](#) [644827-2](#) [65495-038](#) [65692-001LF](#)
[65781-018](#) [65781-047](#) [65817-010LF](#) [65817-015LF](#) [66207-023LF](#) [67095-007LF](#) [68631-112](#) [68645-018](#) [699319-000](#) [M90C108951C](#)
[70.362.1628.0](#) [70-4210](#) [70-4226B](#) [70-4853B](#) [707-5020](#) [707-5028](#) [71.350.2428.0](#) [71961-016LF](#) [733-134](#) [754199-000](#) [760-3052](#)
[80.063.4001.1](#) [800-90-001-10-001000](#) [801-43-002-10-013000](#) [801-43-006-10-002000](#) [803-41-018-10-001000](#) [803-43-014-20-001000](#)
[803-43-024-10-001000](#) [803-93-012-10-001000](#)