

ABB/ABB-A

6.3Ø x 32 mm

Super Fast-Acting Fuse



Agency Approvals

Agency	Ampere Rating
Recognized Component for Canada and US	1A - 30A

Interrupting Rating

1A - 20A: 200 amperes at 500V AC/DC

20.1A - 30A: 100 amperes at 500V AC/DC

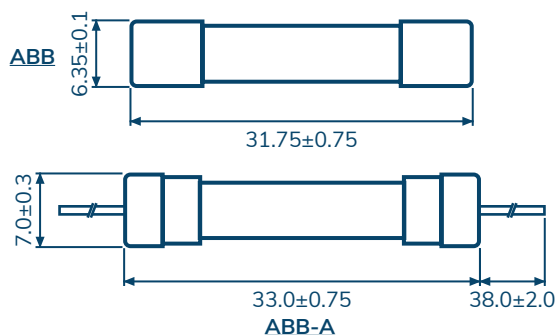
Product Characteristics

Operating Temperature	-55 °C to 125 °C
Material	Body: Ceramic / Caps: Nickel Plated Brass
Leads Wire	Ø0.8 mm 12A and less. Ø1.0 mm for rating above 13A to 14A. Ø1.2 mm for rating above 15A.

Packaging

Packaging Option	Quantity
Bulk	ABB: 500 pcs / box ABB-A: 250 pcs / box

Mechanical Dimensions (mm)



Electrical Characteristics

Ampere Rating	Opening Time		
	1 In	1.35 In	2.5 In
	MIN	MAX	MAX
1A - 15A	4 hr	120 sec	0.2 sec
15.1A - 30A	4 hr	300 sec	3 sec

Catalog Number	Ampere Rating (A)	Voltage Rating (V)	Nominal Cold Resistance (Ohms)	Nominal Melting I ² t (A ² sec.)
ABB / ABB-A 001	1A	500V	0.2399	1.1952
ABB / ABB-A 1.60	1.6A		0.1149	2.3454
ABB / ABB-A 002	2A		0.0840	3.8160
ABB / ABB-A 005	5A		0.0503	12.667
ABB / ABB-A 6.30	6.3A		0.0337	31.910
ABB / ABB-A 010	10A		0.0195	98.280
ABB / ABB-A 012	12A		0.0133	164.20
ABB / ABB-A 015	15A		0.0108	253.53
ABB / ABB-A 020	20A		0.0067	464.40
ABB / ABB-A 025	25A		0.0041	1512.0
ABB / ABB-A 030	30A		0.0036	1986.1

X-ON Electronics

Largest Supplier of Electrical and Electronic Components

Click to view similar products for [Surface Mount Fuses](#) category:

Click to view products by [Conquer](#) manufacturer:

Other Similar products are found below :

[FHC20402ADTP](#) [NFVC6125S0R50TRF](#) [SFT-125MA](#) [TF16SN2.00TTD](#) [FCC16501ABTP](#) [FCC16102ABTP](#) [FHC16322ADTP](#) [0308.250UR](#)
[0308.375UR](#) [0308.500UR](#) [0308.750UR](#) [0308001.UR](#) [030801.5UR](#) [F0603G0R03FNTR](#) [SKY87604-12](#) [SKY87604-11](#) [SKY87604-13](#)
[7010.9962.63](#) [R451003.L](#) [R451.500L](#) [R451001.L](#) [3-103-119](#) [3-103-123](#) [SGB401](#) [SGB075](#) [0154002.DRL](#) [0154008.DRL](#) [0154.500DRL](#)
[189140.1,25](#) [189140.0,8](#) [189140.0,4](#) [189140.0,63](#) [189140.0,25](#) [0402FA-R200](#) [0402SFF150F/24-2](#) [0435.250KRHFS](#) [0468003.WR](#)
[0494001.NRHF](#) [0494002.NRHF](#) [0494003.NRHF](#) [049402.5NRHF](#) [049403.5NRHF](#) [0494.250NRHF](#) [0494.375NRHF](#) [0494.500NRHF](#)
[CF06V3T1R60](#) [CF06V3T2R50](#) [06H1300D](#) [JFC0603-1200FS](#) [CP06V3T2R0](#)