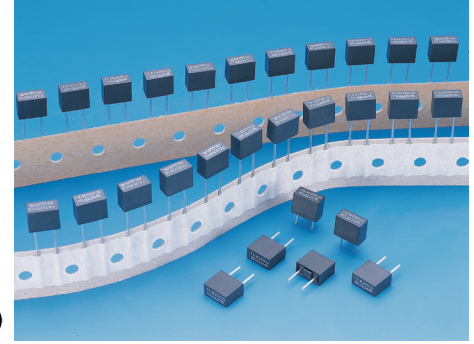


Type MST

RoHS



Time Lag Radial Lead Micro Fuse Series



Interrupting Rating	
35 amperes or 10 x rated current ; whichever is greater at 250V AC	
SEMKO	63mA~10A
VDE	50mA~6.3A
TUV	50mA~10A
CSA Acceptance	50mA~6.3A
UL Recognized	50mA~10A
PSE	1A~10A
CCC	50mA~6.3A
KTL	50mA~6.3A
CQC (IR:130A/250V AC)	500mA~10A
130 amperes at 250V AC(optional)	
Recognized Component for Canada and U.S.	50mA~10A
PSE	1A~10A
TUV	50mA~10A
CQC	500mA~10A
KTL	500mA~6.3A
50 amperes at 300V AC(optional)	
Recognized Component for Canada and U.S.	50mA~10A
PSE	1A~10A
TUV	50mA~10A
100 amperes at 400V AC(optional)	
100 amperes at 250V DC(optional)	
Recognized Component for Canada and U.S.	50mA~10A
PSE	1A~10A

Catalog Number	Ampere Rating [In]	Voltage Rating (V)	Nominal Resistance Cold Ohms	Voltage Drop (mv) MAX	Nominal Melting I ² t A ² Sec
MST .050	50mA	250V*1	8.9000	550	0.0225
MST .063	63mA		5.4053	480	0.0446
MST .080	80mA		3.6870	400	0.0760
MST .100	100mA		2.4063	350	0.1080
MST .125	125mA		1.6194	300	0.1223
MST .160	160mA		1.2458	280	0.1700
MST .200	200mA		0.8240	260	0.3060
MST .250	250mA		0.6300	240	0.6019
MST .315	315mA		0.3800	220	0.8216
MST .400	400mA		0.2700	200	1.4832
MST .500	500mA		0.1950	190	2.7000
MST .630	630mA		0.1322	180	3.1792
MST .800	800mA		0.0907	160	5.7600
MST 001	1A		0.0750	140	8.7300
MST 1.25	1.25A		0.0550	130	14.766
MST 1.60	1.6A		0.0425	120	23.040
MST 002	2A		0.0316	100	36.000
MST 2.50	2.5A		0.0241	100	56.250
MST 3.15	3.15A		0.0188	100	93.768
MST 004	4A		0.0136	100	158.40
MST 005	5A	0.0100	100	202.50	
MST 6.30	6.3A	0.0074	100	310.77	
MST 008	8A	0.0057	100	368.64	
MST 010	10A	0.0034	100	288.00	

*1 : 300V/400V optional

Electrical Characteristic

Rated Current	1.5 In		2.1 In		2.75 In		4 In		10 In	
	MIN	MAX	MIN	MAX	MIN	MAX	MIN	MAX	MIN	MAX
50mA~5A	60	2	400	10	150	3	20	150		
	min	min	ms	sec	ms	sec	ms	ms		
6.3A~10A	60	2	400	10	150	3	15	150		
	min	min	ms	sec	ms	sec	ms	ms		

Environmental Specification

Operating Temperature
-55°C to +125°C

Vibration
MIL-STD-202G, Method 201(10-55 Hz x 3axis/no load)

Salt Spray
MIL-STD-202G, Method 101, Test Condition B (48Hrs)

Insulation Resistance
MIL-STD-202G, Method 302, Test Condition A (After Opening) 10,000 ohms minimum

Resistance to Solder Heat
MIL-STD-202G, Method 210, Test Condition B (10sec.at 260°C)

Thermal Shock:
MIL-STD-202G, Method 107, Test Condition B (-65°C to +125°C)

Physical Specification

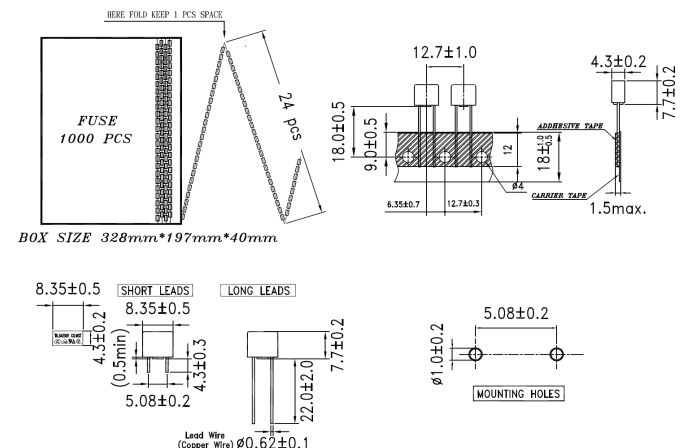
Material

Base and Cap: Black thermoplastic, UL 94-V0
Round Pins: Copper, Tin-plated

Packaging

- In bulk: 1,000 pcs per box.
- On Tap: Ammo pack, 1,000 pcs box

Mechanical Dimensions



X-ON Electronics

Largest Supplier of Electrical and Electronic Components

Click to view similar products for [Surface Mount Fuses](#) category:

Click to view products by [Conquer](#) manufacturer:

Other Similar products are found below :

[FHC20402ADTP](#) [NFVC6125S0R50TRF](#) [TF16SN2.00TTD](#) [0686-5000-01](#) [0685-4000-01](#) [FCC16501ABTP](#) [FCC16102ABTP](#)
[FHC16322ADTP](#) [0308001.UR](#) [FCC16202ABTP](#) [7010.9962.63](#) [SEF 12A 65V \(G\)](#) [MST 250mA 250V](#) [TB60](#) [06 100.4](#) [TBF50](#) [TBF40](#)
[2010T315mA250V](#) [06 110.7](#) [12 100.1.5](#) [06 110.5](#) [1206FA-R250](#) [R06.100.6](#) [R12.100.15](#) [R06.000.0.375](#) [R06.000.6](#) [R06.100.0.25](#) [R12.000.8](#)
[R06.000.0.5](#) [R06.000.0.75](#) [R06.000.8](#) [R06.100.0.75](#) [R06.100.8](#) [R06.100.0.375](#) [R06.100.0.5](#) [R06.000.7](#) [R06.100.7](#) [S0603-S-2.0A](#) [F06F3.5](#)
[F12F20](#) [TA3VT2](#) [F12F1](#) [F06F7](#) [F06T3.5](#) [F06F0.375](#) [F06T8](#) [F12F30](#) [4T2A250V](#) [R12.100.7](#) [R12.100.30](#)