

Type PTU

RoHS



3.6ØX10mm

Time-Lag Ceramic Tube Fuse with Pig-Tail Series



Approval

VDE	250mA~6.3A
CSA Acceptance	250mA~6.3A
UL Recognized	250mA~6.3A
CCC	250mA~6.3A
KTL	250mA~6.3A

Electrical Characteristic

(IEC-60127-3 STANDARD SHEET 4)

Rated Current	1.5 In		2.1 In		2.75 In		4 In		10 In	
	MIN	MAX	MIN	MAX	MIN	MAX	MIN	MAX	MIN	MAX
250mA~6.3A	60	2	400	10	150	3	20	150	ms	ms
	min	min	ms	sec	ms	sec	ms	ms		

Interrupting Rating

35 amperes or 10 x rated current; whichever is greater at 250V AC

Operating Temperature

-55°C to +125°C

Physical Specification

Material

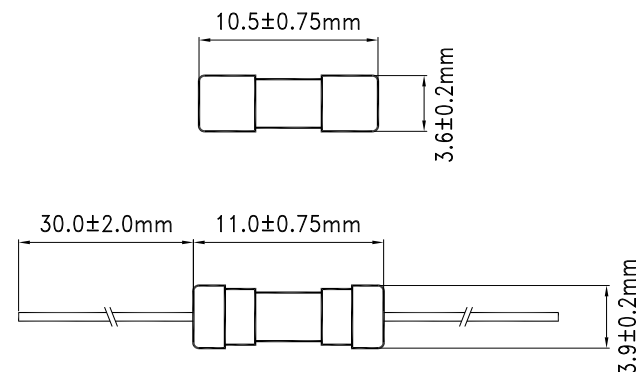
Ceramic Body / Nickel Plated Brass Caps
Lead Wire: Diameter 0.6 mm, 4A and Less
Diameter 0.8 mm, 5A and 6.3A

Packaging

- In Bulk:
PTU - 1,000 pcs per box
- On Axial Tape & Reel
1,500 pcs per reel.
- Tape & Reel specification:
per EIA-296-E & IEC 286-1
@ 10mm Pitch and 56.5mm inside Tape Spacing.

Catalog Number	Ampere Rating [In]	Voltage Rating (V)	Nominal Resistance Cold Ohms	Voltage Drop (mv) MAX	Nominal Melting I ² t A ² Sec
PTU .250	250mA	250V	0.7310	240	0.3262
PTU .315	315mA		0.4720	220	0.5255
PTU .400	400mA		0.3160	200	0.7296
PTU .500	500mA		0.2560	190	1.3100
PTU .630	630mA		0.1700	180	2.6179
PTU .800	800mA		0.1130	160	4.0645
PTU 001	1A		0.0860	140	6.6388
PTU 1.25	1.25A		0.0640	130	14.738
PTU 1.60	1.6A		0.0460	120	29.768
PTU 002	2A		0.0340	100	32.976
PTU 2.50	2.5A		0.0260	100	61.200
PTU 3.15	3.15A		0.0190	100	91.197
PTU 004	4A		0.0140	100	149.98
PTU 005	5A		0.0100	100	188.60
PTU 6.30	6.3A		0.0080	100	276.76

Mechanical Dimension



X-ON Electronics

Largest Supplier of Electrical and Electronic Components

Click to view similar products for [Surface Mount Fuses](#) category:

Click to view products by [Conquer](#) manufacturer:

Other Similar products are found below :

[FHC20402ADTP](#) [NFVC6125S0R50TRF](#) [TF16SN2.00TTD](#) [FCC16501ABTP](#) [FCC16102ABTP](#) [FHC16322ADTP](#) [0308001.UR](#)
[FCC16202ABTP](#) [F0603G0R03FNTR](#) [7010.9962.63](#) [SEF 12A 65V \(G\)](#) [MST 250mA 250V](#) [TB60](#) [06 100.4](#) [TBF50](#) [TBF40](#)
[2010T315mA250V](#) [06 110.7](#) [12 100.1.5](#) [06 110.5](#) [1206FA-R250](#) [R06.100.6](#) [R12.100.15](#) [R06.000.0.375](#) [R06.000.6](#) [R06.100.0.25](#) [R12.000.8](#)
[R06.000.0.5](#) [R06.000.0.75](#) [R06.000.8](#) [R06.100.0.75](#) [R06.100.8](#) [R06.100.0.375](#) [R06.100.0.5](#) [R06.000.7](#) [R06.100.7](#) [S0603-S-2.0A](#) [F06F3.5](#)
[F12F20](#) [TA3VT2](#) [F12F1](#) [F06F7](#) [F06T3.5](#) [F06F0.375](#) [F06T8](#) [F12F30](#) [4T2A250V](#) [R12.100.7](#) [R12.100.30](#) [R06.000.0.25](#)