

GDA/GPA-A

5.2Ø x 20 mm

Time-Lag Fuse



Agency Approvals

Agency	Ampere Rating
UL Listed	1A - 15A
CSA Certified	1A - 12A
CSA Acceptance	12.1A - 15A
PSE	5.1A - 15A (250V)
KTL	1.5A - 20A

Electrical Characteristics

Ampere Rating	Opening Time			
	1 In	1.35 In	2 In	
	MIN	MAX	MIN	MAX
1A - 20A	4 hr	1 hr	2 sec	120 sec

Interrupting Rating

1A - 15A:	10,000 amperes at 125V AC
1A:	35 amperes at 250V AC
1.1A - 3.5A:	100 amperes at 250V AC
3.6A - 10A:	200 amperes at 250V AC
10.1A - 15A:	750 amperes at 250V AC
15.1A - 20A:	200 amperes at 250V AC

Catalog Number	Ampere Rating (A)	Voltage Rating (V)	Nominal Cold Resistance (Ohms)	Nominal Melting I ² t (A ² sec.)
GDA / GPA-A 001	1A	250V	0.1970	1.1520
GDA / GPA-A 1.25	1.25A		0.1285	2.3250
GDA / GPA-A 1.50	1.5A		0.0890	4.4384
GDA / GPA-A 1.60	1.6A		0.0852	5.2838
GDA / GPA-A 002	2A		0.0585	10.656
GDA / GPA-A 2.50	2.5A		0.0872	5.1183
GDA / GPA-A 003	3A		0.0615	9.8370
GDA / GPA-A 3.15	3.15A		0.0607	12.145
GDA / GPA-A 004	4A		0.0410	24.023
GDA / GPA-A 005	5A		0.0344	35.087
GDA / GPA-A 006	6A		0.0231	48.413
GDA / GPA-A 6.30	6.3A		0.0221	52.411
GDA / GPA-A 007	7A		0.0117	61.740
GDA / GPA-A 008	8A		0.0104	75.422
GDA / GPA-A 010	10A		0.0074	174.02
GDA / GPA-A 012	12A		0.0057	274.65
GDA / GPA-A 015	15A		0.0041	534.24
GDA / GPA-A 020	20A		0.0028	959.40

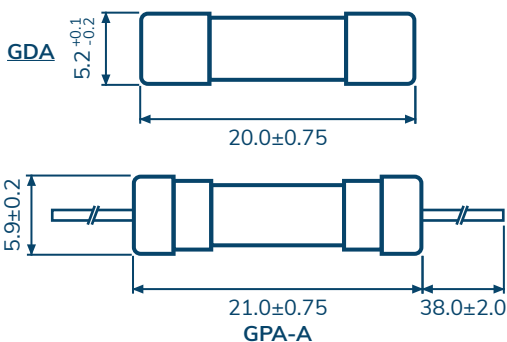
Product Characteristics

Operating Temperature	-55 °C to 125 °C
Material	Body: Ceramic Caps: Nickel Plated Brass
Leads Wire	Ø0.8 mm 14A and less. Ø1.0 mm for rating above 15A to 19A. Ø1.2 mm for rating above 20A.

Packaging

Packaging Option	Quantity
Bulk	GDA: 1,000 pcs / box GPA-A: 500 pcs / box
On Axial Tape & Reel	1,000 pcs / box

Mechanical Dimensions (mm)



X-ON Electronics

Largest Supplier of Electrical and Electronic Components

Click to view similar products for [Surface Mount Fuses](#) category:

Click to view products by [Conquer](#) manufacturer:

Other Similar products are found below :

[FHC20402ADTP](#) [NFVC6125S0R50TRF](#) [TF16SN2.00TTD](#) [FCC16501ABTP](#) [FCC16102ABTP](#) [FHC16322ADTP](#) [0308001.UR](#)
[FCC16202ABTP](#) [F0603G0R03FNTR](#) [7010.9962.63](#) [SEF 12A 65V \(G\)](#) [MST 250mA 250V](#) [TB60](#) [06 100.4](#) [TBF50](#) [TBF40](#)
[2010T315mA250V](#) [06 110.7](#) [12 100.1.5](#) [06 110.5](#) [1206FA-R250](#) [R06.100.6](#) [R12.100.15](#) [R06.000.0.375](#) [R06.000.6](#) [R06.100.0.25](#) [R12.000.8](#)
[R06.000.0.5](#) [R06.000.0.75](#) [R06.000.8](#) [R06.100.0.75](#) [R06.100.8](#) [R06.100.0.375](#) [R06.100.0.5](#) [R06.000.7](#) [R06.100.7](#) [S0603-S-2.0A](#) [F06F3.5](#)
[F12F20](#) [TA3VT2](#) [F12F1](#) [F06F7](#) [F06T3.5](#) [F06F0.375](#) [F06T8](#) [F12F30](#) [4T2A250V](#) [R12.100.7](#) [R12.100.30](#) [R06.000.0.25](#)