

# Rheostats

## (Potentiometers) Wirewound



### MODEL C

Model Type	Watts	Ohmic range	Core	Max. Voltage (RMS)*	Behind panel "B" (in./mm Ref.)	Diameter "D" (in./mm Ref.)	Dimension "C" (in./mm Ref.)	Shaft torque	Rotation (±5°)
C RCS/RCL	7.5	10.0-5K	enclosed	305	0.875/22.23	0.515/ 13.08	—	0.25-3 oz. in.	300°

• See Catalog #203 for complete details.



### MODEL E

Model Type	Watts	Ohmic range	Core	Max. Voltage (RMS)*	Behind panel "B" (in./mm Ref.)	Diameter "D" (in./mm Ref.)	Dimension "C" (in./mm Ref.)	Shaft torque	Rotation (±5°)
E RES/REL	12.5	1.0-15K	open	305	0.688/17.46	0.875/ 22.23	0.594/15.08	1-6 oz. in.	300°
E REE	12.5	1.0-15K	enclosed	305	1.219/30.96	1.047/ 26.59	—	1-6 oz. in.	300°

• See Catalog #203 for complete details.



Dimensions for reference only; consult factory for details.

Since all rheostats/potentiometers are electro-mechanical devices, they are subject to mechanical wear and, therefore, have a finite life.

Models H, J, K, L and N are listed under UL File No. E-10946 and CSA File No. 21309 unless noted otherwise.

All rheostats are 10% tolerance.

# Rheostats

## (Potentiometers) Wirewound

### MODELS H, J, G, K, L

Model	Type	Watts	Ohmic range	Core	Max. Voltage (RMS)*	Behind panel "B" (in./mm Ref.)	Diameter "D" (in./mm Ref.)	Dimension "C" (in./mm Ref.)	Shaft torque	Rotation (±5°)
H	RHS/RHL	25	1.0-25K	open	500	1.375/34.93	1.560/ 39.62	0.940/23.88	0.25-0.5 lb. in.	300°
J	RJS	50	0.5-50K	open	750	1.375/34.93	2.31 / 58.67	1.56 /39.62	0.25-2 lb. in.	300°
G	RGS	75	0.5-50K	open	900	1.750/44.45	2.75 / 69.25	1.78 /45.21	0.5-2 lb. in.	300°
K	RKS	100	0.5-50K	open	1000	1.750/44.45	3.125/ 79.38	1.91 /48.51	0.5-2 lb. in.	300°
L	RLS	150	0.5-50K	open	1200	2.000 / 50.8	4.00 /101.60	2.28 /57.91	0.5-3 lb. in.	300°

- Models H, J, G, and K also available in enclosed versions.
- See Catalog #203 for complete details.

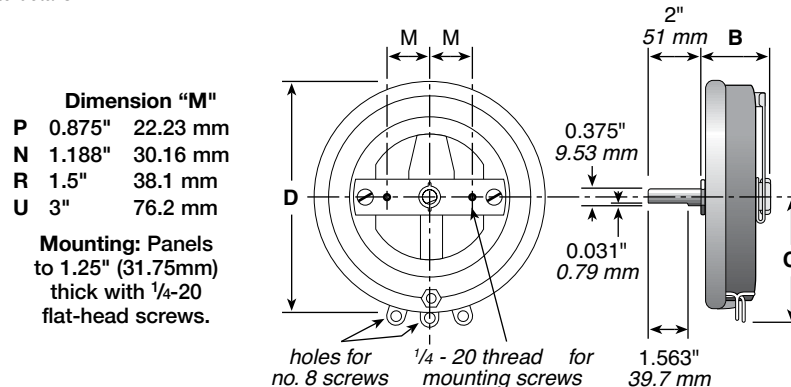


**Mounting:** Panels to 0.25" (6.35mm) thick with 3/8-32 bushing and hex nut (3/32" thick) (or with 10-32 x 0.75 flat-head screws for model L only).

### MODELS P, N, R, U

Model	Type	Watts	Ohmic range	Core	Max. Voltage (RMS)*	Behind panel "B" (in./mm Ref.)	Diameter "D" (in./mm Ref.)	Dimension "C" (in./mm Ref.)	Shaft torque	Rotation (±5°)
P	RPS	225	1.0-30K	open	1300	2.125/53.98	5.00 /127.00	2.97 /75.44	2.5-4 lb. in.	310°
N	RNS	300	1.0-50K	open	1225	2.375/60.33	6.00 /152.40	3.44 /87.38	2.5-5 lb. in.	320°
R	RRS	500	1.0-20K	open	1450	2.125/53.98	8.00 /203.20	4.31/109.47	4.5-7 lb. in.	325°
U	RUS	1000	1.0-20K	open	1600	3.000 / 76.2	12.00 /304.80	6.38/162.05	3.5-7 lb. in.	335°

- See Catalog #203 for complete details.



(continued)



## X-ON Electronics

Largest Supplier of Electrical and Electronic Components

*Click to view similar products for [Rheostats](#) category:*

*Click to view products by [Ohmite](#) manufacturer:*

Other Similar products are found below :

[E-175-F1352ACOL](#) [E-175-F2-352](#) [E-200-F1-352](#) [J4F2-352](#) [H-15-F2-352](#) [H-50-F2-352](#) [J-300-F2-453](#) [E-100-F2-352A](#) [63994-15](#) [E-1000-F1-T3](#) [RJS725E](#) [H-5000-F2-6580B](#) [RCS225](#) [E-350-F1-352](#) [H-5K-L02](#) [J-10K-L02](#) [RHS75R-B](#) [H-100-F2-380](#) [H-25-L02](#) [H-500-SL01](#) [H-25-L02-351](#) [J-1K0-F2-452](#) [H-5/75-F2-T2](#) [J-1000-L02](#) [H-10-F2-352](#) [L-15-F2-T3](#) [H-2500-F2-6580B](#) [RLS300E](#) [J-12-F2-352](#) [U-200-F10-T2](#) [L-1000-F2-CT](#) [J-22-F2-452](#) [H-40-F2-452](#) [E-10-S1-352](#) [H-175-L02-6580B](#) [REL10RE](#) [REL15RE](#) [RES100](#) [RES1K5E](#) [RES200](#) [RES200E](#) [RES3K5E](#) [RES5K0E](#) [RT012AS1001KB](#) [REL25RE](#) [RES2K5E](#) [RPS1K75E](#) [RRS125E](#) [REE10KE](#) [RES15KE](#)