

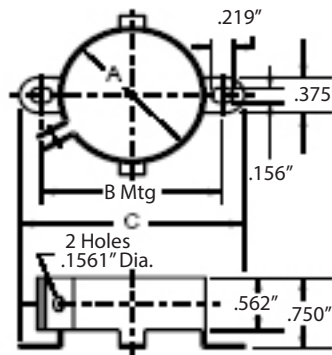
Type VR Vertical Mounting Clamp



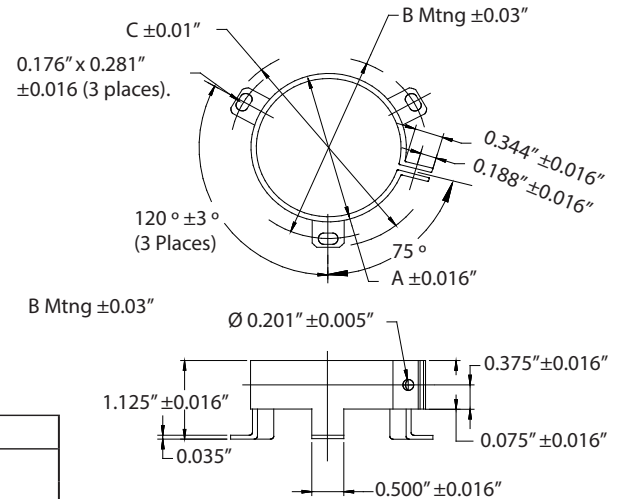
| Diameter of Part to be Mounted | Catalog Part Number | | | Dimensions | | |
|--------------------------------|---------------------|----------------------------------|----------------------------|--------------------------------|----------|----------|
| | Without Screw & Nut | Unassembled Screw & Nut Included | Assembled with Screw & Nut | A | B | C |
| 1" to 1-1/16 | VR1B | VR1 | VR1A | 1" | 1-7/16" | 1-7/8** |
| 1-3/8" to 1-7/16 | VR3B | VR3 | VR3A | 1-3/8" | 1-25/32" | 2-7/32" |
| 1-1/2" to 1-9/16 | VR4B | VR4 | VR4A | 1-1/2" | 1-15/16" | 2-11/32" |
| 1-3/4" to 1-13/16 | VR6B | VR6 | VR6A | 1-3/4" | 2-1/4" | 2-9/16" |
| 2" to 2-1/16 | VR8B | VR8 | VR8A | 2" | 2-1/2" | 2-13/16" |
| 2-1/2" to 2-9/16 | VR10B | VR10 | VR10A | 2-1/2" | 3" | 3-5/16" |
| 3" to 3-1/8 | VR12B | VR12 | VR12A | 3" | 3-7/16" | 3-13/16" |
| Screw | VRSCREW | — | — | 9/16" long 6-32 thread NC-2A | | |
| Nut | VRNUT | — | — | Standard hex nut to fit screws | | |

CDE VR mounting clamps may be used to mount any cylindrical capacitor with a 1" to 3" diameter that is to be mounted in a vertical position. Material is 1010 CRS, commercial grade #4 temper ASI scale. Parts are finished with .0001 (nominal) zinc chromate plating. Use for mounting CG types, PSU, SF and MPF types. Material thickness is .035"

VR1, 3 & 4



VR6, 8, 10 & 12



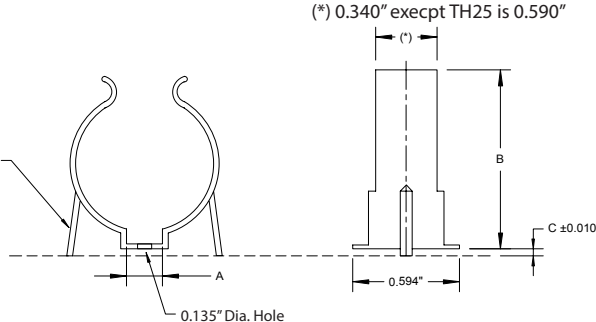
Type TH Horizontal Mounting Clip



| Catalog Part Number | Dimensions in Inches | | | |
|---------------------|------------------------------------|-------|-------|-------|
| | Nominal Dia. of Part to be Mounted | A | B | C |
| TH17 | 0.625 | 0.312 | 0.720 | 0.015 |
| TH25 | 1.375 | 0.312 | 1.500 | 0.030 |

Material Thickness
TH17 is 0.016", TH25 is 0.025".
Material: 1050 high carbon steel with phosphate and oil finish. TH25 is 1060.

Retaining tabs must extend lower than base of clip



These clips, though designed for capacitors, have varied applications to retain many cylindrical components. They are used extensively in the electrical and electronic industries to hold spindles, condensers, capacitors, tubes, rods and conduit. Clips have phosphate and oil finish.

ACR15KT Motor Start Resistor Kit



15K Ohm 2 watt bleeder resistors for AC motor start applications. Saves relay switch contacts and capacitor, particularly in capacitor start applications. 1/4" quick connect terminals eliminate need for soldering.

ACR15K:
Pack of 10, 15K Ohm 2 watt bleeder resistor without quick connect terminals.

ACR220KT Motor Run Resistor Kit



220K Ohm 1 watt bleeder resistors for AC motor run applications. Saves relay switch contacts and capacitor, particularly in capacitor run applications. 1/4" quick connect terminals eliminate need for soldering.

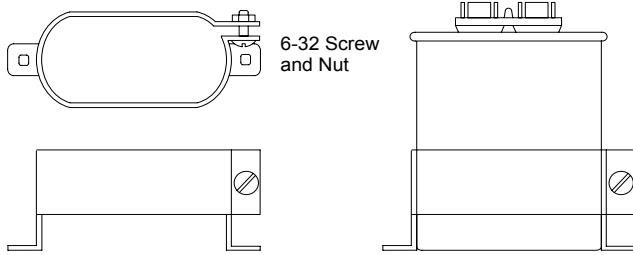
ACR220K:
Pack of 10, 220K Ohm 1 watt bleeder resistor without quick connect terminals.

Capacitor Hardware

Oval Capacitor Hardware

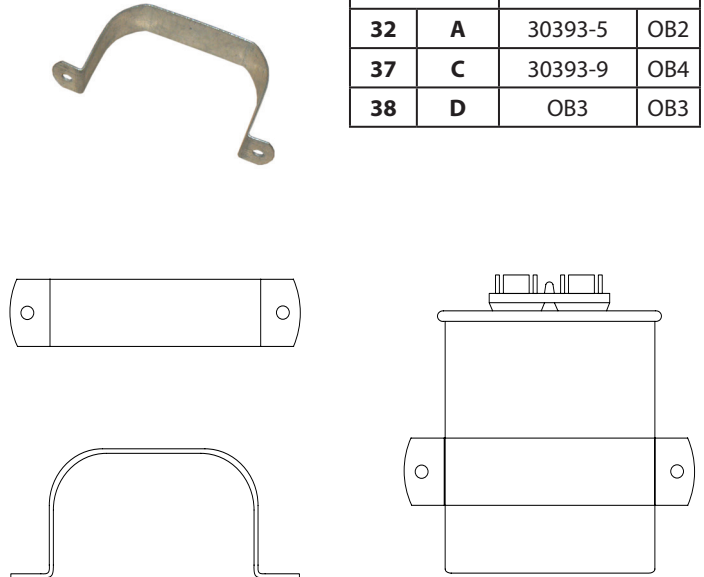
Mounting Brackets #32107

| Case Code | | Bracket |
|-----------|---|---------|
| 32 | A | 32107-1 |
| 37 | C | 32107-2 |
| 38 | D | 32107-3 |



6-32 Screw and Nut

Wrap Around Bracket

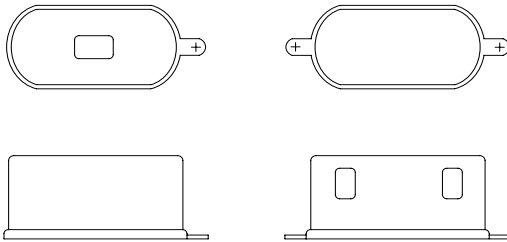


| Case Code | Bracket | | |
|-----------|---------|---------|-----|
| 32 | A | 30393-5 | OB2 |
| 37 | C | 30393-9 | OB4 |
| 38 | D | OB3 | OB3 |

Insulating Terminal Boots UL Approved Material

44603 or OC1

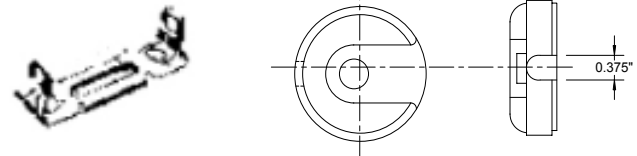
32108-2



Motor Start Mounting Hardware

Bracket

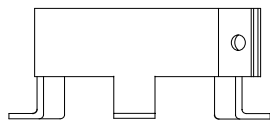
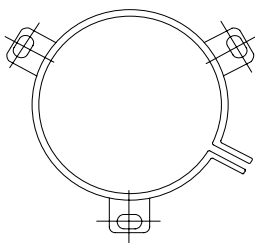
End Cap



Round Capacitor Hardware

3 Footed Round Mounting Bracket

| Case Code | | Bracket |
|-----------|---|---------|
| 21 | P | VR6B |
| 23 | S | VR8B |
| 24 | T | VR10B |



Wrap Around Bracket



| Case Code | | Bracket |
|-----------|---|---------|
| 21 | P | RB175 |
| 23 | S | RB200 |
| 24 | T | RB250 |

| Case Code | Case Dimensions (Inches) | | Down Wire Cap | Up Wire Cap | Optional Mounting Bracket |
|-----------|--------------------------|-------|---------------|-------------|---------------------------|
| | D | L | | | |
| 1 | 1.438 | 2.750 | PL3 | PLA3 | HB2 |
| 2 | 1.438 | 3.375 | PL3 | PLA3 | HB4 |
| 3 | 1.438 | 4.375 | PL3 | PLA3 | HB8 |
| 4 | 1.813 | 3.375 | PL6 | PLA6 | HB4 |
| 5 | 1.813 | 4.375 | PL6 | PLA6 | HB8 |
| 6 | 2.063 | 3.375 | PL8 | PLA8 | HB4 |
| 7 | 2.063 | 4.375 | PL8 | PLA8 | HB8 |
| 8 | 2.563 | 4.375 | PL10 | PLA10 | HB8 |

Order both endcap and bracket for mounting

Capacitor Hardware

Screw-Terminal, Computer-Grade Capacitor, Mounting Hardware

Figure 1

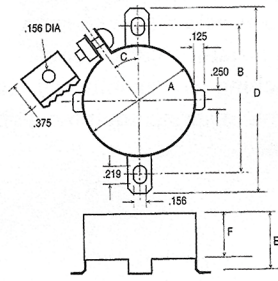


Figure 4

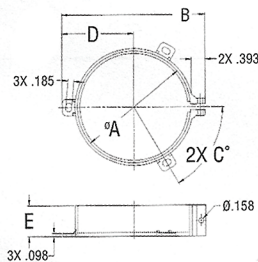


Figure 2

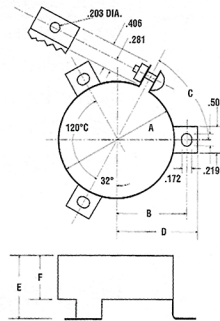
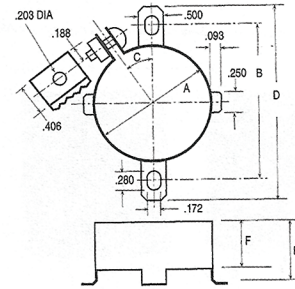


Figure 3



Clamp Dimensions

| Clamp Number | Dimensions in Inches | | | |
|--------------|----------------------|-------|-------|-------|
| | A | B | C | D |
| 125562-01 | 1.375 | 2.125 | 2.500 | 1.281 |
| 125562-05 | 1.750 | 2.500 | 2.875 | 1.656 |
| 125562-02 | 2.000 | 2.750 | 3.125 | 1.906 |
| 125562-04 | 2.500 | 3.250 | 3.625 | 2.406 |
| 125562-03 | 3.000 | 3.750 | 4.125 | 2.906 |
| 125562-06 | 3.500 | 4.250 | 4.625 | 3.481 |

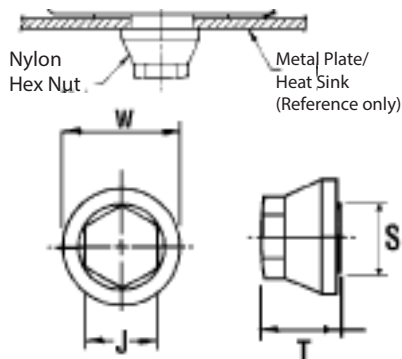
Bracket Dimensions

| Figure | Bracket Number | Dimensions in Inches | | | | | | Dimensions in Millimeters | | | | | |
|--------|----------------|----------------------|-------|------|-------|-------|------|---------------------------|--------|-----|--------|-------|-------|
| | | A | B | C | D | E | F | A | B | C | D | E | F |
| 1 | 125565-06* | 1.375 | 1.813 | 30 ° | 2.313 | .750 | .563 | 34.93 | 46.04 | 30° | 58.74 | 19.05 | 14.30 |
| 1 | 125565-15* | 1.750 | 2.188 | 30 ° | 2.625 | .750 | .560 | 44.45 | 55.56 | 30° | 66.68 | 19.05 | 14.22 |
| 2 | 125565-09* | 2.000 | 1.250 | 75 ° | 1.438 | 1.125 | .750 | 50.80 | 31.75 | 75° | 36.51 | 28.58 | 19.05 |
| 3 | 125565-05 | 2.000 | 2.563 | 30 ° | 2.938 | 1.125 | .750 | 50.80 | 65.09 | 30° | 76.41 | 28.58 | 19.05 |
| 2 | 125565-14* | 2.500 | 1.500 | 75 ° | 1.688 | 1.125 | .750 | 63.50 | 38.10 | 75° | 42.86 | 28.58 | 19.05 |
| 3 | 125565-10 | 2.500 | 3.000 | 30 ° | 3.438 | 1.125 | .750 | 63.50 | 76.20 | 30° | 87.31 | 28.58 | 19.05 |
| 2 | 125565-11* | 3.000 | 1.750 | 75 ° | 1.938 | 1.125 | .750 | 76.20 | 44.45 | 75° | 49.21 | 28.58 | 19.05 |
| 3 | 125565-01 | 3.000 | 3.500 | 30 ° | 3.938 | 1.125 | .750 | 76.20 | 88.90 | 30° | 100.01 | 28.58 | 19.05 |
| 4 | 125309-01 | 3.500 | 4.488 | 60 ° | 2.224 | .984 | — | 90.00 | 114.00 | 60° | 4.70 | 25.00 | — |

Note: All mounting brackets and clamps except Figure 4 are zinc plated. Figure 4 is a black nylon. When mounting capacitors there is no need to wrap capacitors with protective wrapping before installing mounting clamp.

*Stock bracket

Nylon Nuts for Insulated Stud Mounting



| Nylon Nut Part Number | For Stud Diameter (mm) | Standoff Diameter S (mm) | Nut Diameter W (mm) | Nut Elevation T (mm) | Hex Head J (mm) | Mounting | | |
|-----------------------|------------------------|--------------------------|---------------------|----------------------|-----------------|-------------------------|-----------------------------|---------------------------------|
| | | | | | | Min. Hole Diameter (mm) | Max. Chassis Thickness (mm) | Max. Tightening Torque in. lbs. |
| M8S17W25 | M8 | 17 | 25 | 15 | 17 | 17.5 | 5 | 25 |
| M12S22W30 | M12 | 22 | 30 | 18 | 19 | 22.5 | 5 | 75 |
| M12S30W38 | M12 | 30 | 38 | 18 | 19 | 30.5 | 5 | 75 |

Capacitor Hardware

Notice and Disclaimer: All product drawings, descriptions, specifications, statements, information and data (collectively, the "Information") in this datasheet or other publication are subject to change. The customer is responsible for checking, confirming and verifying the extent to which the Information contained in this datasheet or other publication is applicable to an order at the time the order is placed. All Information given herein is believed to be accurate and reliable, but it is presented without any guarantee, warranty, representation or responsibility of any kind, expressed or implied. Statements of suitability for certain applications are based on the knowledge that the Cornell Dubilier company providing such statements ("Cornell Dubilier") has of operating conditions that such Cornell Dubilier company regards as typical for such applications, but are not intended to constitute any guarantee, warranty or representation regarding any such matter – and Cornell Dubilier specifically and expressly disclaims any guarantee, warranty or representation concerning the suitability for a specific customer application, use, storage, transportation, or operating environment. The Information is intended for use only by customers who have the requisite experience and capability to determine the correct products for their application. Any technical advice inferred from this Information or otherwise provided by Cornell Dubilier with reference to the use of any Cornell Dubilier products is given gratis (unless otherwise specified by Cornell Dubilier), and Cornell Dubilier assumes no obligation or liability for the advice given or results obtained. Although Cornell Dubilier strives to apply the most stringent quality and safety standards regarding the design and manufacturing of its products, in light of the current state of the art, isolated component failures may still occur. Accordingly, customer applications which require a high degree of reliability or safety should employ suitable designs or other safeguards (such as installation of protective circuitry or redundancies or other appropriate protective measures) in order to ensure that the failure of an electrical component does not result in a risk of personal injury or property damage. Although all product-related warnings, cautions and notes must be observed, the customer should not assume that all safety measures are indicated in such warnings, cautions and notes, or that other safety measures may not be required.

X-ON Electronics

Largest Supplier of Electrical and Electronic Components

Click to view similar products for [Capacitor Hardware](#) category:

Click to view products by [Cornell Dubilier](#) manufacturer:

Other Similar products are found below :

[B44020B0002B030](#) [B44020J0006B012](#) [B44020J0007B012](#) [B44030J0036B000](#) [SG12000P](#) [FN322-3-05](#) [300-100-075](#) [31762-87](#)

[B44020A0002B025](#) [B44030J0051B000](#) [B44030J0064B000](#) [B44030J0090B000](#) [31762-45](#) [340-400](#) [4586-48](#) [B44020B0001B025](#)

[B44030A0051B000](#) [B44030A0036B000](#) [2353](#) [2788](#) [124586-0026A](#) [B44030A0064B000](#) [2785](#) [2789](#) [307-500](#) [31762-132](#) [31762-51](#) [32107-3](#)

[4586-97A](#) [125562-03](#) [VR1B](#) [VR3B](#) [VR6B](#) [VR6A](#) [VR4](#) [VR10B](#) [TH17](#) [32108-2](#) [2740](#) [302-200](#) [32107-1](#) [32107-2](#) [VR8](#) [VR4A](#) [VR1A](#) [2738](#)

[125562-02](#) [3896](#) [MAL804324041E3](#) [MAL804324031E3](#)