

Type 380LX / 382LX 85 °C High Capacitance, Snap-In Aluminum

2, 4 and 5 pin styles available



The excellent value of Type 380L/LX capacitors finds application in switching power supply input and output circuits and even motor drives where the high surface area of multiple units in parallel approaches the ripple capability of our Type 520C computer-grade capacitor. Type 380LX delivers more capacitance per can size while Type 380L available in the largest case sizes gives lower ESR for the same capacitance. Types 382L and 382LX give the choice of 4 or 5 leads for stable, reverse proof mounting.

Highlights

- Latest available ratings, worldwide
- Top performance in power supplies and motor drives
- Big selection of 49 case sizes
- 2, 4 and 5 leads available

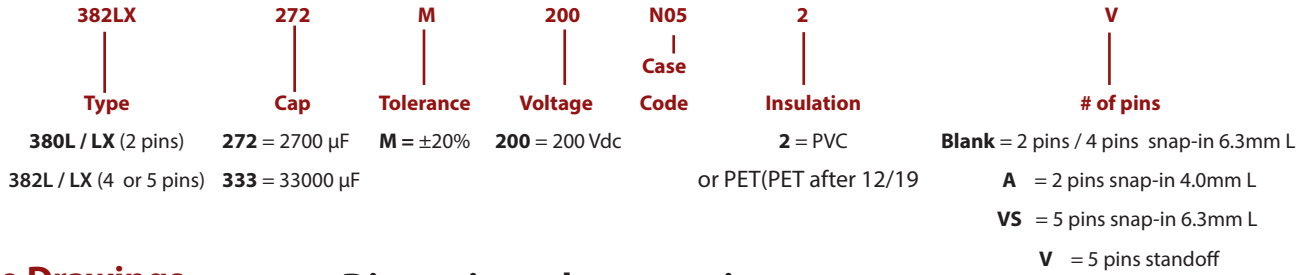
Specifications

| Temperature Range | -40 °C to +85 °C ≤ 250 Vdc -25 °C to +85 °C ≥ 315 Vdc | | | | | | | | | | | | | | | | | | | | | | | | | | | | | | | |
|---------------------------------|--|-------|--------|---------|-------|-------------|--|-----|-----|-----|-----|--|-------|-------|--------|---------|-------|-------------|-------------|------|------|------|------|------|------|--------------|------|------|------|------|------|------|
| Rated Voltage Range | 16 Vdc to 500 Vdc | | | | | | | | | | | | | | | | | | | | | | | | | | | | | | | |
| Capacitance Range | 33 µF to 270,000 µF | | | | | | | | | | | | | | | | | | | | | | | | | | | | | | | |
| Capacitance Tolerance | ± 20% | | | | | | | | | | | | | | | | | | | | | | | | | | | | | | | |
| Leakage Current | ≤ 3√CV µA at 5 min | | | | | | | | | | | | | | | | | | | | | | | | | | | | | | | |
| Ripple Current Multipliers | <p>Ambient Temperature</p> <table border="1"> <thead> <tr> <th></th> <th>45 °C</th> <th>60 °C</th> <th>70 °C</th> <th>85 °C</th> </tr> </thead> <tbody> <tr> <td></td> <td>1.5</td> <td>1.4</td> <td>1.3</td> <td>1.0</td> </tr> </tbody> </table> <p>Frequency</p> <table border="1"> <thead> <tr> <th></th> <th>50 Hz</th> <th>60 Hz</th> <th>120 Hz</th> <th>500 kHz</th> <th>1 kHz</th> <th>10 kHz & Up</th> </tr> </thead> <tbody> <tr> <td>16 - 100 WV</td> <td>0.93</td> <td>0.95</td> <td>1.00</td> <td>1.05</td> <td>1.08</td> <td>1.15</td> </tr> <tr> <td>160 - 450 WV</td> <td>0.75</td> <td>0.80</td> <td>1.00</td> <td>1.20</td> <td>1.25</td> <td>1.40</td> </tr> </tbody> </table> | | 45 °C | 60 °C | 70 °C | 85 °C | | 1.5 | 1.4 | 1.3 | 1.0 | | 50 Hz | 60 Hz | 120 Hz | 500 kHz | 1 kHz | 10 kHz & Up | 16 - 100 WV | 0.93 | 0.95 | 1.00 | 1.05 | 1.08 | 1.15 | 160 - 450 WV | 0.75 | 0.80 | 1.00 | 1.20 | 1.25 | 1.40 |
| | 45 °C | 60 °C | 70 °C | 85 °C | | | | | | | | | | | | | | | | | | | | | | | | | | | | |
| | 1.5 | 1.4 | 1.3 | 1.0 | | | | | | | | | | | | | | | | | | | | | | | | | | | | |
| | 50 Hz | 60 Hz | 120 Hz | 500 kHz | 1 kHz | 10 kHz & Up | | | | | | | | | | | | | | | | | | | | | | | | | | |
| 16 - 100 WV | 0.93 | 0.95 | 1.00 | 1.05 | 1.08 | 1.15 | | | | | | | | | | | | | | | | | | | | | | | | | | |
| 160 - 450 WV | 0.75 | 0.80 | 1.00 | 1.20 | 1.25 | 1.40 | | | | | | | | | | | | | | | | | | | | | | | | | | |
| Low Temperature Characteristics | Impedance ratio: $Z_{-20°C} / Z_{+25°C}$ ≤ 8 (16–50 Vdc) ≤ 4 (63–100 Vdc) ≤ 3 (150–500 Vdc) | | | | | | | | | | | | | | | | | | | | | | | | | | | | | | | |
| Endurance Life Test | 3,000 h @ full load at +85 °C Δ Capacitance ±20% ESR 200% of limit DCL 100% of limit | | | | | | | | | | | | | | | | | | | | | | | | | | | | | | | |
| Shelf Life Test | 1,000 h @ 85 °C Δ Capacitance ±20% ESR 200% of limit DCL 100% of limit | | | | | | | | | | | | | | | | | | | | | | | | | | | | | | | |
| Vibration | 10 to 55 Hz, 0.06" and 10 g max, 2 h in each plane | | | | | | | | | | | | | | | | | | | | | | | | | | | | | | | |
| RoHS Compliant | | | | | | | | | | | | | | | | | | | | | | | | | | | | | | | | |

Type 380LX / 382LX 85 °C High Capacitance, Snap-In Aluminum

2, 4 and 5 pin styles available

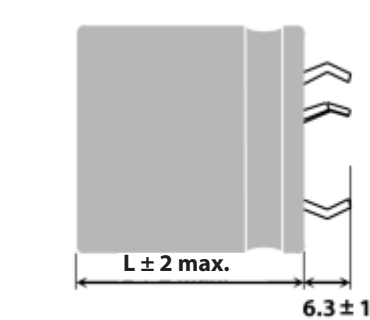
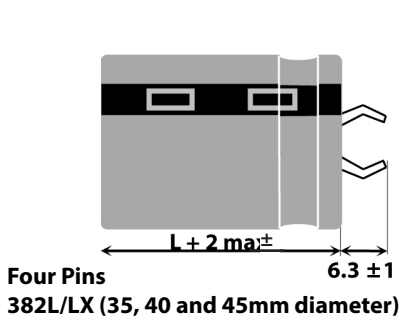
Part Numbering System



Outline Drawings

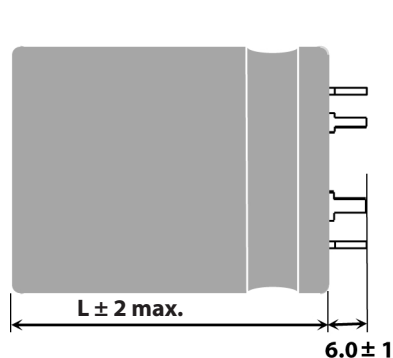
Two Pins

380L/LX (22 through 40 mm diameter)



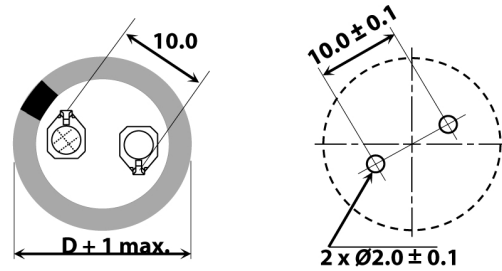
Five Pins

382L/LX (40 and 50mm diameter)

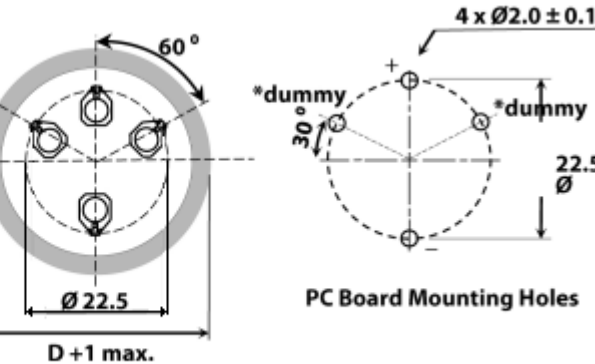


Dimensions shown are in mm

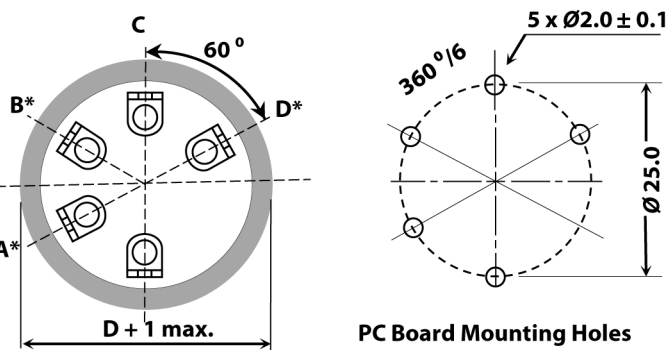
Sleeving is PVC or PET (PET for all date codes after December 2019)



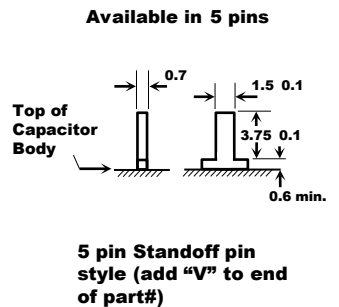
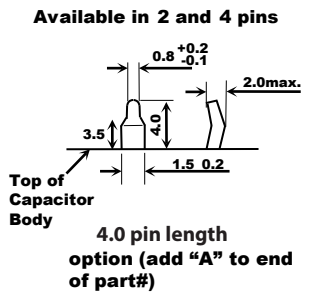
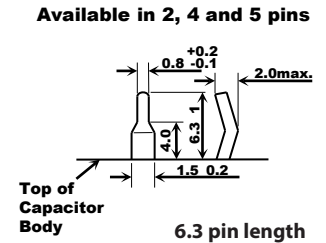
PC Board Mounting Holes



PC Board Mounting Holes



PC Board Mounting Holes



| Terminal | Connection | |
|----------|--------------|--------------|
| | 40 mm Dia. | 50 mm Dia. |
| A | dummy | negative (-) |
| B | dummy | dummy |
| C | positive (+) | positive (+) |
| D | dummy | positive (+) |
| - | negative (-) | negative (-) |

Notes:

* Use dummy terminals for mechanical support only. Make no electrical connection because they resistively connect through the electrolyte to the negative terminal.

** Safety Vent may be on the bottom or on the side of the can.

Type 380LX / 382LX 85 °C High Capacitance, Snap-In Aluminum

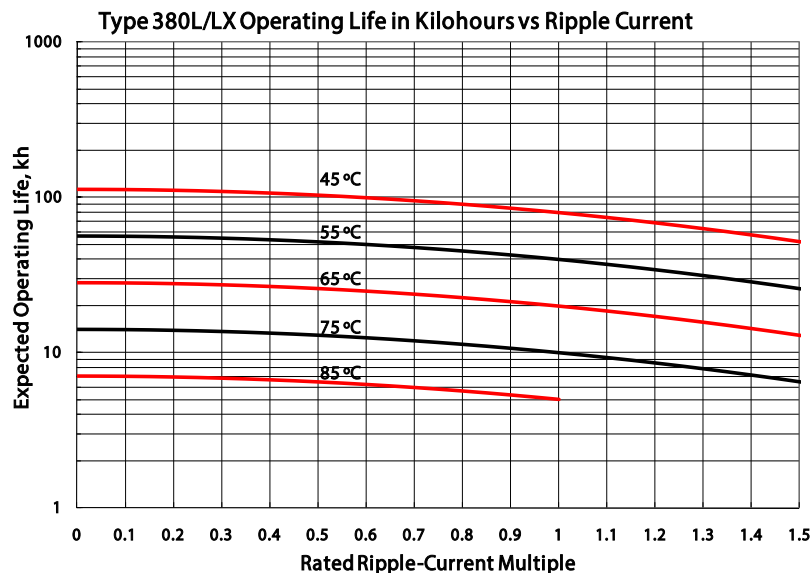
2, 4 and 5 pin styles available

Insulated Case Dimensions

| Case Code | DIAMETER "D" | | LENGTH "L" | | Typical Weight (grams) |
|-----------|--------------|--------|------------|--------|------------------------|
| | mm | inches | mm | inches | |
| H20 | 22 | 0.87 | 20 | 0.79 | 14 |
| H01 | 22 | 0.87 | 25 | 0.98 | 16 |
| H02 | 22 | 0.87 | 30 | 1.18 | 19 |
| H03 | 22 | 0.87 | 35 | 1.38 | 22 |
| H04 | 22 | 0.87 | 40 | 1.57 | 24 |
| H45 | 22 | 0.87 | 45 | 1.77 | 28 |
| H05 | 22 | 0.87 | 50 | 1.97 | 31 |
| J20 | 25 | 0.98 | 20 | 0.79 | 16 |
| J01 | 25 | 0.98 | 25 | 0.98 | 20 |
| J02 | 25 | 0.98 | 30 | 1.18 | 24 |
| J03 | 25 | 0.98 | 35 | 1.38 | 27 |
| J04 | 25 | 0.98 | 40 | 1.57 | 31 |
| J45 | 25 | 0.98 | 45 | 1.77 | 35 |
| J05 | 25 | 0.98 | 50 | 1.97 | 38 |
| K20 | 30 | 1.18 | 20 | 0.79 | 25 |
| K01 | 30 | 1.18 | 25 | 0.98 | 30 |
| K02 | 30 | 1.18 | 30 | 1.18 | 35 |
| K03 | 30 | 1.18 | 35 | 1.38 | 40 |
| K04 | 30 | 1.18 | 40 | 1.57 | 44 |
| K45 | 30 | 1.18 | 45 | 1.77 | 48 |
| K05 | 30 | 1.18 | 50 | 1.97 | 53 |
| A20 | 35 | 1.38 | 20 | 0.79 | 35 |
| A01 | 35 | 1.38 | 25 | 0.98 | 42 |
| A02 | 35 | 1.38 | 30 | 1.18 | 48 |
| A03 | 35 | 1.38 | 35 | 1.38 | 54 |

| Case Code | DIAMETER "D" | | LENGTH "L" | | Typical Weight (grams) |
|-----------|--------------|--------|------------|--------|------------------------|
| | mm | inches | mm | inches | |
| A04 | 35 | 1.38 | 40 | 1.57 | 62 |
| A45 | 35 | 1.38 | 45 | 1.77 | 67 |
| A05 | 35 | 1.38 | 50 | 1.97 | 74 |
| A55 | 35 | 1.38 | 55 | 2.17 | 80 |
| A06 | 35 | 1.38 | 63 | 2.48 | 88 |
| A07 | 35 | 1.38 | 70 | 2.76 | 98 |
| A08 | 35 | 1.38 | 80 | 3.15 | 112 |
| A10 | 35 | 1.38 | 105 | 4.13 | 144 |
| N04 | 40 | 1.57 | 40 | 1.57 | 82 |
| N05 | 40 | 1.57 | 50 | 1.97 | 105 |
| N06 | 40 | 1.57 | 63 | 2.48 | 130 |
| N08 | 40 | 1.57 | 80 | 3.15 | 185 |
| N10 | 40 | 1.57 | 105 | 4.13 | 265 |
| E05 | 45 | 1.77 | 50 | 1.97 | 122 |
| E06 | 45 | 1.77 | 63 | 2.48 | 150 |
| E75 | 45 | 1.77 | 75 | 2.65 | 200 |
| E08 | 45 | 1.77 | 80 | 3.15 | 213 |
| E09 | 45 | 1.77 | 92 | 3.62 | 238 |
| E10 | 45 | 1.77 | 105 | 4.13 | 299 |
| B05 | 50 | 1.97 | 50 | 1.97 | 136 |
| B06 | 50 | 1.97 | 63 | 2.48 | 168 |
| B08 | 50 | 1.97 | 80 | 3.15 | 239 |
| B09 | 50 | 1.97 | 92 | 3.62 | 241 |
| B10 | 50 | 1.97 | 105 | 4.13 | 325 |

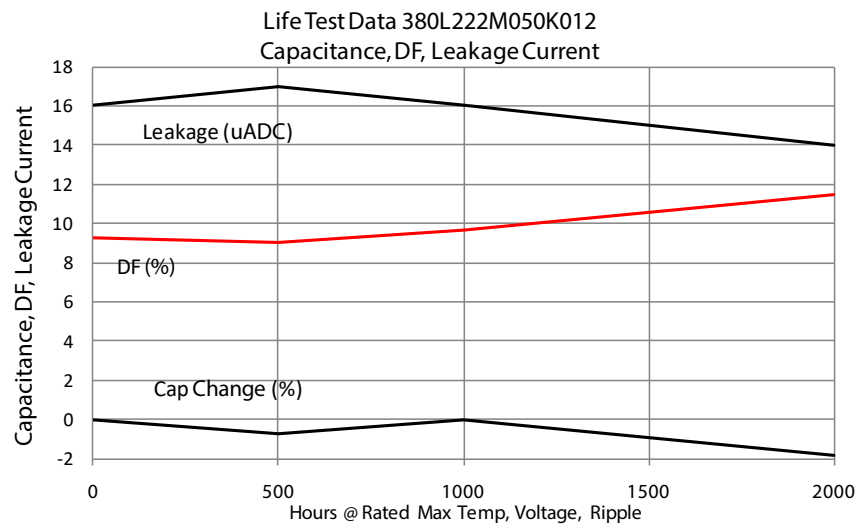
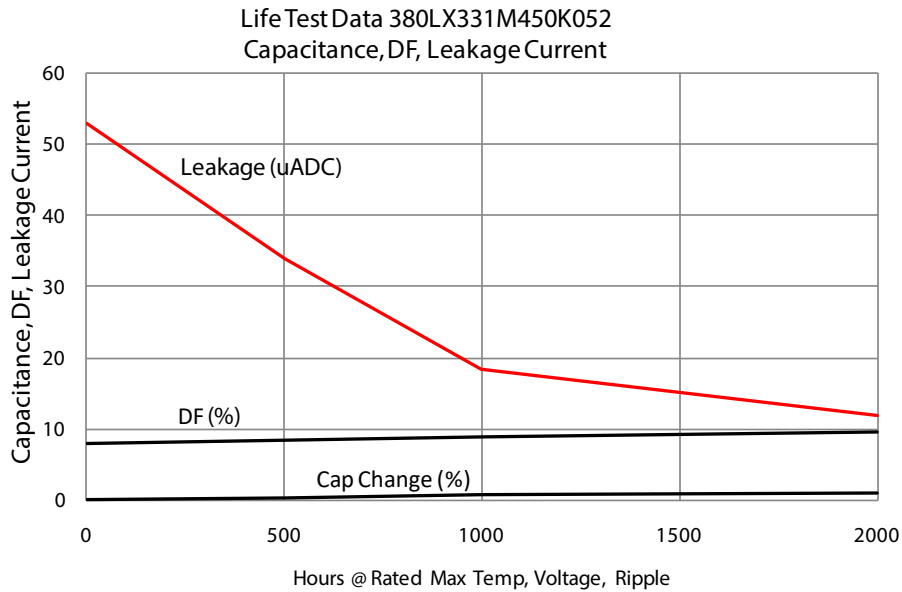
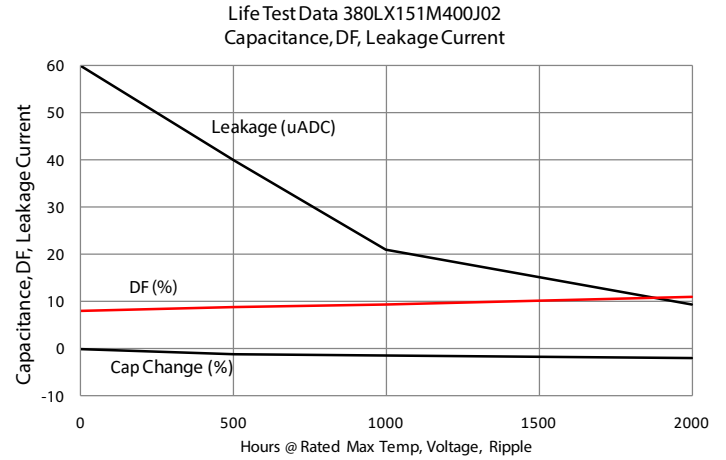
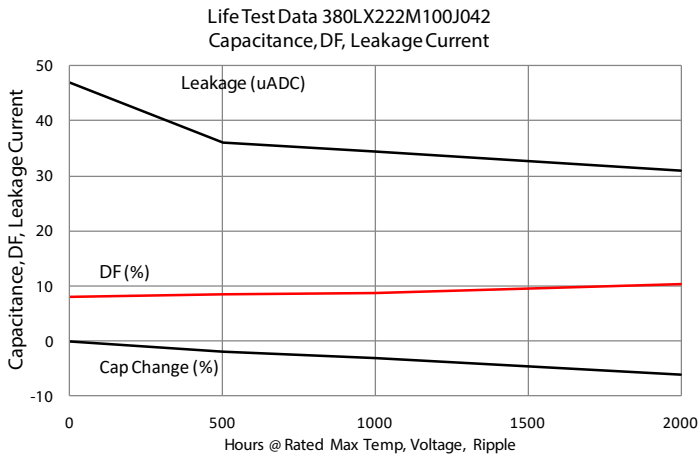
Typical Performance Curves



Type 380LX / 382LX 85 °C High Capacitance, Snap-In Aluminum

2, 4 and 5 pin styles available

Typical Performance Curves



Type 380LX / 382LX 85 °C High Capacitance, Snap-In Aluminum

2, 4 and 5 pin styles available

| Cap. (uF) | Catalog Part Number | Max. ESR @ +25°C | | Ripple Amps @ +85°C | | Nominal Size D x L (mm) |
|------------------------------|------------------------|---------------------|--------|------------------------|--------|----------------------------------|
| | | 120 Hz | 20 kHz | 120 Hz | 20 kHz | |
| | | (ohms) | (ohms) | (A) | (A) | |
| 16 Vdc (20 Vdc Surge) | | | | | | |
| 4700 | 380LX472M016H012 | 0.160 | 0.135 | 1.77 | 2.00 | 22 x 25 |
| 6800 | 380LX682M016H012 | 0.075 | 0.063 | 2.60 | 2.99 | 22 x 25 |
| 6800 | 380LX682M016J202 | 0.110 | 0.092 | 1.80 | 2.10 | 25 x 20 |
| 8200 | 380LX822M016H012 | 0.090 | 0.078 | 3.10 | 3.60 | 22 x 25 |
| 10000 | 380LX103M016H012 | 0.075 | 0.062 | 2.90 | 3.30 | 22 x 25 |
| 10000 | 380LX103M016J012 | 0.143 | 0.118 | 3.80 | 4.30 | 25 x 25 |
| 12000 | 380LX123M016H022 | 0.062 | 0.059 | 3.13 | 3.60 | 22 x 30 |
| 12000 | 380LX123M016J012 | 0.062 | 0.052 | 4.50 | 5.20 | 25 x 25 |
| 15000 | 380LX153M016H032 | 0.055 | 0.047 | 3.69 | 4.24 | 22 x 35 |
| 18000 | 380LX183M016H032 | 0.046 | 0.039 | 3.98 | 4.58 | 22 x 35 |
| 22000 | 380LX223M016H042 | 0.038 | 0.032 | 4.52 | 5.20 | 22 x 40 |
| 27000 | 380LX273M016J452 | 0.031 | 0.025 | 6.30 | 7.30 | 25 x 45 |
| 27000 | 380LX273M016K022 | 0.028 | 0.023 | 4.70 | 5.41 | 30 x 30 |
| 33000 | 380LX333M016J052 | 0.025 | 0.021 | 6.80 | 7.80 | 25 x 50 |
| 33000 | 380LX333M016K032 | 0.025 | 0.021 | 6.84 | 7.87 | 30 x 35 |
| 33000 | 380LX333M016K042 | 0.025 | 0.021 | 6.80 | 7.90 | 30 x 40 |
| 33000 | 380LX333M016A022 | 0.025 | 0.021 | 6.80 | 7.90 | 35 x 30 |
| 39000 | 380LX393M016K042 | 0.024 | 0.020 | 6.94 | 7.98 | 30 x 40 |
| 39000 | 380LX393M016A032 | 0.022 | 0.018 | 6.95 | 8.00 | 35 x 35 |
| 47000 | 380LX473M016K452 | 0.023 | 0.019 | 7.47 | 8.59 | 30 x 45 |
| 47000 | 380LX473M016K052 | 0.020 | 0.017 | 7.50 | 8.60 | 30 x 50 |
| 47000 | 380LX473M016A042 | 0.022 | 0.020 | 7.50 | 8.60 | 35 x 40 |
| 56000 | 380LX563M016A452 | 0.020 | 0.019 | 8.73 | 10.04 | 35 x 45 |
| 56000 | 382LX563M016N042 | 0.022 | 0.021 | 9.00 | 10.40 | 40 x 40 |
| 68000 | 380LX683M016A452 | 0.021 | 0.018 | 9.05 | 10.41 | 35 x 45 |
| 68000 | 380LX683M016A052 | 0.018 | 0.017 | 9.00 | 10.40 | 35 x 50 |
| 82000 | 380LX823M016A052 | 0.020 | 0.018 | 9.49 | 10.91 | 35 x 50 |
| 82000 | 382LX823M016N052 | 0.016 | 0.015 | 10.30 | 11.80 | 40 x 50 |
| 100000 | 380LX104M016A082 | 0.015 | 0.014 | 11.00 | 12.70 | 35 x 80 |
| 100000 | 382LX104M016N062 | 0.018 | 0.017 | 11.40 | 13.00 | 40 x 63 |
| 120000 | 380LX124M016A082 | 0.015 | 0.014 | 11.50 | 12.50 | 35 x 80 |
| 120000 | 382LX124M016N082 | 0.017 | 0.016 | 12.40 | 14.30 | 40 x 80 |
| 120000 | 382LX124M016B052V | 0.014 | 0.013 | 13.17 | 15.15 | 50 x 50 |
| 150000 | 382LX154M016B062V | 0.012 | 0.011 | 14.40 | 16.56 | 50 x 63 |
| 180000 | 382LX184M016N102 | 0.013 | 0.012 | 14.85 | 17.08 | 40 x 105 |
| 180000 | 382LX184M016B082V | 0.011 | 0.010 | 15.69 | 18.04 | 50 x 80 |
| 220000 | 382LX224M016B092V | 0.010 | 0.009 | 16.73 | 19.24 | 50 x 92 |
| 270000 | 382LX274M016B102V | 0.009 | 0.008 | 17.79 | 20.46 | 50 x 105 |
| 25 Vdc (32 Vdc Surge) | | | | | | |
| 3300 | 380LX332M025H012 | 0.161 | 0.130 | 1.70 | 1.90 | 22 x 25 |
| 4700 | 380LX472M025H012 | 0.110 | 0.090 | 2.40 | 2.75 | 22 x 25 |
| 5600 | 380LX562M025H012 | 0.110 | 0.090 | 2.40 | 2.75 | 22 x 25 |

| Cap. (uF) | Catalog Part Number | Max. ESR @ +25°C | | Ripple Amps @ +85°C | | Nominal Size D x L (mm) |
|------------------------------|------------------------|---------------------|--------|------------------------|--------|----------------------------------|
| | | 120 Hz | 20 kHz | 120 Hz | 20 kHz | |
| | | (ohms) | (ohms) | (A) | (A) | |
| 25 Vdc (32 Vdc Surge) | | | | | | |
| 6800 | 380LX682M025H022 | 0.078 | 0.063 | 2.63 | 3.01 | 22 x 30 |
| 6800 | 380LX682M025J012 | 0.078 | 0.063 | 3.50 | 4.00 | 25 x 25 |
| 8200 | 380LX822M025H022 | 0.081 | 0.065 | 2.86 | 3.29 | 22 x 30 |
| 8200 | 380LX822M025J012 | 0.065 | 0.049 | 3.60 | 4.10 | 25 x 25 |
| 10000 | 380LX103M025H032 | 0.058 | 0.046 | 3.80 | 4.30 | 22 x 35 |
| 10000 | 380LX103M025J022 | 0.058 | 0.046 | 3.80 | 4.30 | 25 x 30 |
| 12000 | 380LX123M025J022 | 0.055 | 0.044 | 4.10 | 4.72 | 25 x 30 |
| 15000 | 380LX153M025J032 | 0.044 | 0.035 | 4.63 | 5.32 | 25 x 35 |
| 15000 | 380LX153M025K022 | 0.040 | 0.030 | 4.60 | 5.30 | 30 x 30 |
| 18000 | 380LX183M025J042 | 0.037 | 0.029 | 5.47 | 6.29 | 25 x 40 |
| 18000 | 380LX183M025K032 | 0.035 | 0.028 | 5.50 | 6.30 | 30 x 35 |
| 22000 | 380LX223M025J452 | 0.030 | 0.024 | 6.10 | 7.00 | 25 x 45 |
| 22000 | 380LX223M025J052 | 0.030 | 0.023 | 6.10 | 7.00 | 25 x 50 |
| 22000 | 380LX223M025K042 | 0.030 | 0.023 | 6.10 | 7.00 | 30 x 40 |
| 27000 | 380LX273M025K042 | 0.025 | 0.020 | 6.21 | 7.14 | 30 x 40 |
| 27000 | 380LX273M025K452 | 0.023 | 0.020 | 6.20 | 7.10 | 30 x 45 |
| 27000 | 380LX273M025A032 | 0.023 | 0.020 | 6.20 | 7.10 | 35 x 35 |
| 33000 | 380LX333M025K452 | 0.020 | 0.017 | 6.84 | 7.87 | 30 x 45 |
| 33000 | 380LX333M025K052 | 0.030 | 0.016 | 6.84 | 7.90 | 30 x 50 |
| 33000 | 382L333M025N042 | 0.026 | 0.016 | 7.30 | 8.00 | 40 x 40 |
| 39000 | 380LX393M025A452 | 0.020 | 0.017 | 7.40 | 8.50 | 35 x 45 |
| 39000 | 382LX393M025N042 | 0.020 | 0.018 | 8.00 | 9.20 | 40 x 40 |
| 47000 | 380LX473M025A052 | 0.019 | 0.015 | 8.00 | 9.20 | 35 x 50 |
| 56000 | 382LX563M025N052 | 0.016 | 0.015 | 9.00 | 10.30 | 40 x 50 |
| 56000 | 382L563M025N062 | 0.015 | 0.009 | 9.50 | 10.30 | 40 x 63 |
| 68000 | 382LX683M025N062 | 0.017 | 0.015 | 10.25 | 11.80 | 40 x 63 |
| 82000 | 382LX823M025B052V | 0.016 | 0.015 | 12.29 | 14.13 | 50 x 50 |
| 100000 | 380LX104M025A102 | 0.010 | 0.008 | 9.50 | 12.00 | 35 x 105 |
| 100000 | 382LX104M025N082 | 0.012 | 0.011 | 12.00 | 13.40 | 40 x 80 |
| 100000 | 382LX104M025B062V | 0.014 | 0.013 | 13.45 | 15.47 | 50 x 63 |
| 120000 | 382LX124M025B082V | 0.012 | 0.011 | 15.29 | 17.58 | 50 x 80 |
| 150000 | 382LX154M025N102 | 0.011 | 0.010 | 14.07 | 16.18 | 40 x 105 |
| 150000 | 382LX154M025B092V | 0.011 | 0.010 | 16.01 | 18.41 | 50 x 92 |
| 180000 | 382LX184M025B102V | 0.010 | 0.009 | 16.89 | 19.42 | 50 x 105 |
| 35 Vdc (44 Vdc Surge) | | | | | | |
| 2200 | 380LX222M035H012 | 0.166 | 0.125 | 1.50 | 1.75 | 22 x 25 |
| 3300 | 380LX332M035H012 | 0.110 | 0.085 | 2.30 | 2.60 | 22 x 25 |
| 3900 | 380LX392M035H012 | 0.095 | 0.070 | 2.70 | 3.10 | 22 x 25 |
| 4700 | 380LX472M035H022 | 0.080 | 0.060 | 3.30 | 3.70 | 22 x 30 |
| 4700 | 380LX472M035J012 | 0.080 | 0.060 | 3.30 | 3.70 | 25 x 25 |
| 5600 | 380LX562M035H022 | 0.083 | 0.063 | 3.40 | 3.90 | 22 x 30 |
| 5600 | 380LX562M035J012 | 0.083 | 0.063 | 3.40 | 3.90 | 25 x 25 |

Type 380LX / 382LX 85 °C High Capacitance, Snap-In Aluminum

2, 4 and 5 pin styles available

| Cap. (uF) | Catalog Part Number | Max. ESR | | Ripple Amps | | Nominal Size D x L (mm) |
|------------------------------|------------------------|------------------|------------------|---------------|---------------|----------------------------------|
| | | @ +25°C | | @ +85°C | | |
| | | 120 Hz (ohms) | 20 kHz (ohms) | 120 Hz (A) | 20 kHz (A) | |
| 35 Vdc (44 Vdc Surge) | | | | | | |
| 6800 | 380LX682M035J022 | 0.073 | 0.055 | 2.60 | 2.99 | 25 x 30 |
| 8200 | 380LX822M035J022 | 0.071 | 0.053 | 3.26 | 3.75 | 25 x 30 |
| 8200 | 380LX822M035J032 | 0.057 | 0.043 | 4.00 | 4.60 | 25 x 35 |
| 10000 | 380LX103M035H452 | 0.050 | 0.037 | 4.40 | 5.10 | 22 x 45 |
| 10000 | 380LX103M035J022 | 0.058 | 0.044 | 4.42 | 5.08 | 25 x 30 |
| 10000 | 380LX103M035A012 | 0.050 | 0.037 | 4.40 | 5.10 | 35 x 25 |
| 12000 | 380LX123M035J042 | 0.048 | 0.036 | 5.05 | 5.81 | 25 x 40 |
| 15000 | 380LX153M035J052 | 0.036 | 0.027 | 5.60 | 6.40 | 25 x 50 |
| 15000 | 380LX153M035K042 | 0.036 | 0.027 | 5.60 | 6.40 | 30 x 40 |
| 15000 | 380LX153M035A022 | 0.036 | 0.027 | 5.60 | 6.40 | 35 x 30 |
| 18000 | 380LX183M035K452 | 0.480 | 0.037 | 5.70 | 6.50 | 30 x 45 |
| 18000 | 380LX183M035A032 | 0.480 | 0.037 | 5.70 | 6.50 | 35 x 35 |
| 22000 | 380LX223M035K452 | 0.026 | 0.020 | 6.10 | 7.02 | 30 x 45 |
| 22000 | 380LX223M035A042 | 0.026 | 0.020 | 6.10 | 7.00 | 35 x 40 |
| 27000 | 380LX273M035A452 | 0.021 | 0.017 | 6.80 | 7.90 | 35 x 45 |
| 27000 | 380LX273M035A052 | 0.021 | 0.016 | 6.84 | 7.87 | 35 x 50 |
| 33000 | 380LX333M035A052 | 0.018 | 0.014 | 7.15 | 8.22 | 35 x 50 |
| 39000 | 380LX393M035A052 | 0.017 | 0.014 | 7.91 | 9.10 | 35 x 50 |
| 39000 | 382LX393M035N052 | 0.017 | 0.014 | 8.00 | 9.20 | 40 x 50 |
| 47000 | 380LX473M035A552 | 0.014 | 0.014 | 8.56 | 9.84 | 35 x 55 |
| 47000 | 382LX473M035N062 | 0.016 | 0.013 | 9.60 | 11.00 | 40 x 63 |
| 56000 | 382LX563M035N082 | 0.015 | 0.012 | 10.30 | 11.90 | 40 x 80 |
| 56000 | 382LX563M035B052V | 0.015 | 0.012 | 10.94 | 12.58 | 50 x 50 |
| 68000 | 380LX683M035A102 | 0.010 | 0.008 | 9.50 | 11.00 | 35 x 105 |
| 68000 | 382LX683M035B062V | 0.013 | 0.011 | 11.93 | 13.72 | 50 x 63 |
| 82000 | 382LX823M035N102 | 0.012 | 0.009 | 12.02 | 13.82 | 40 x 105 |
| 82000 | 382LX823M035B082V | 0.012 | 0.010 | 13.06 | 15.02 | 50 x 80 |
| 100000 | 382LX104M035B092V | 0.011 | 0.009 | 13.97 | 16.07 | 50 x 92 |
| 120000 | 382LX124M035B102V | 0.010 | 0.008 | 14.86 | 17.09 | 50 x 105 |
| 50 Vdc (63 Vdc Surge) | | | | | | |
| 1500 | 380LX152M050H012 | 0.220 | 0.170 | 1.25 | 1.45 | 22 x 25 |
| 2200 | 380LX222M050H012 | 0.150 | 0.115 | 1.80 | 2.10 | 22 x 25 |
| 2700 | 380LX272M050H012 | 0.154 | 0.115 | 2.20 | 2.60 | 22 x 25 |
| 3300 | 380LX332M050H012 | 0.151 | 0.113 | 2.41 | 2.77 | 22 x 25 |
| 3300 | 380LX332M050H022 | 0.100 | 0.075 | 2.70 | 3.10 | 22 x 30 |
| 3300 | 380LX332M050J012 | 0.100 | 0.075 | 2.70 | 3.10 | 25 x 25 |
| 3900 | 380LX392M050J012 | 0.085 | 0.065 | 2.80 | 3.20 | 25 x 25 |
| 4700 | 380LX472M050H032 | 0.070 | 0.055 | 3.00 | 3.50 | 22 x 35 |
| 4700 | 380LX472M050J012 | 0.080 | 0.060 | 2.10 | 2.40 | 25 x 25 |
| 4700 | 380LX472M050J022 | 0.070 | 0.055 | 3.00 | 3.50 | 25 x 30 |
| 4700 | 380LX472M050K012 | 0.070 | 0.055 | 3.00 | 3.50 | 30 x 25 |

| Cap. (uF) | Catalog Part Number | Max. ESR | | Ripple Amps | | Nominal Size D x L (mm) |
|------------------------------|------------------------|------------------|------------------|---------------|---------------|----------------------------------|
| | | @ +25°C | | @ +85°C | | |
| | | 120 Hz (ohms) | 20 kHz (ohms) | 120 Hz (A) | 20 kHz (A) | |
| 50 Vdc (63 Vdc Surge) | | | | | | |
| 5600 | 380LX562M050J032 | 0.060 | 0.045 | 3.40 | 3.90 | 25 x 35 |
| 5600 | 380LX562M050K022 | 0.060 | 0.045 | 3.40 | 3.90 | 30 x 30 |
| 6800 | 380LX682M050H452 | 0.073 | 0.055 | 3.85 | 4.43 | 22 x 45 |
| 8200 | 380LX822M050J452 | 0.067 | 0.050 | 4.40 | 5.10 | 25 x 45 |
| 8200 | 380LX822M050K032 | 0.067 | 0.050 | 4.40 | 5.10 | 30 x 35 |
| 10000 | 380LX103M050J052 | 0.040 | 0.030 | 5.00 | 5.70 | 25 x 50 |
| 10000 | 380LX103M050K042 | 0.040 | 0.030 | 5.00 | 5.70 | 30 x 40 |
| 10000 | 380LX103M050A022 | 0.040 | 0.030 | 5.00 | 5.70 | 35 x 30 |
| 12000 | 380LX123M050K452 | 0.033 | 0.025 | 5.60 | 6.40 | 30 x 45 |
| 12000 | 380LX123M050A032 | 0.041 | 0.031 | 5.58 | 6.42 | 35 x 35 |
| 15000 | 380LX153M050A452 | 0.027 | 0.020 | 6.40 | 7.40 | 35 x 45 |
| 18000 | 380LX183M050A452 | 0.028 | 0.021 | 6.94 | 7.98 | 35 x 45 |
| 18000 | 382LX183M050N042 | 0.023 | 0.017 | 6.94 | 7.98 | 40 x 40 |
| 22000 | 380L223M050A052 | 0.023 | 0.018 | 7.57 | 8.71 | 35 x 50 |
| 22000 | 380LX223M050A052 | 0.025 | 0.020 | 7.60 | 8.71 | 35 x 50 |
| 27000 | 380L273M050A052 | 0.018 | 0.015 | 8.96 | 10.03 | 35 x 50 |
| 27000 | 382LX273M050N052 | 0.018 | 0.015 | 8.10 | 9.30 | 40 x 50 |
| 27000 | 382L273M050N062 | 0.018 | 0.009 | 9.00 | 9.60 | 40 x 63 |
| 33000 | 380LX333M050A082 | 0.015 | 0.012 | 9.20 | 10.60 | 35 x 80 |
| 33000 | 382LX333M050N062 | 0.018 | 0.014 | 9.10 | 10.50 | 40 x 63 |
| 33000 | 382LX333M050B052V | 0.018 | 0.014 | 10.48 | 12.05 | 50 x 50 |
| 47000 | 380LX473M050A102 | 0.014 | 0.011 | 10.27 | 11.81 | 35 x 105 |
| 47000 | 382LX473M050B062V | 0.013 | 0.010 | 11.54 | 13.27 | 50 x 63 |
| 56000 | 382LX563M050N102 | 0.012 | 0.009 | 11.47 | 13.19 | 40 x 105 |
| 56000 | 382LX563M050B082V | 0.012 | 0.009 | 12.46 | 14.33 | 50 x 80 |
| 68000 | 382LX683M050B092V | 0.011 | 0.009 | 13.17 | 15.15 | 50 x 92 |
| 82000 | 382LX823M050B102V | 0.011 | 0.008 | 13.87 | 15.95 | 50 x 105 |
| 63 Vdc (79 Vdc Surge) | | | | | | |
| 1000 | 380LX102M063H012 | 0.332 | 0.250 | 1.20 | 1.40 | 22 x 25 |
| 1500 | 380LX152M063H012 | 0.221 | 0.167 | 1.70 | 2.00 | 22 x 25 |
| 2200 | 380LX222M063J012 | 0.151 | 0.114 | 2.50 | 2.90 | 25 x 25 |
| 2700 | 380LX272M063H042 | 0.126 | 0.094 | 2.72 | 3.13 | 22 x 40 |
| 3300 | 380LX332M063J022 | 0.106 | 0.080 | 3.13 | 3.60 | 25 x 30 |
| 3900 | 380LX392M063J022 | 0.106 | 0.080 | 3.13 | 3.60 | 25 x 30 |
| 4700 | 380LX472M063J032 | 0.080 | 0.060 | 3.99 | 4.56 | 25 x 35 |
| 4700 | 380LX472M063K022 | 0.080 | 0.060 | 4.90 | 5.60 | 30 x 30 |
| 4700 | 380LX472M063A012 | 0.080 | 0.060 | 4.90 | 5.60 | 35 x 25 |
| 5600 | 380LX562M063K022 | 0.070 | 0.050 | 4.11 | 4.72 | 30 x 30 |
| 6800 | 380LX682M063J052 | 0.060 | 0.045 | 5.80 | 6.70 | 25 x 50 |
| 6800 | 380LX682M063K042 | 0.060 | 0.045 | 5.80 | 6.70 | 30 x 40 |
| 8200 | 380LX822M063A032 | 0.050 | 0.040 | 6.00 | 6.90 | 35 x 35 |
| 10000 | 380LX103M063A042 | 0.033 | 0.025 | 6.50 | 7.50 | 35 x 40 |

Type 380LX / 382LX 85 °C High Capacitance, Snap-In Aluminum

2, 4 and 5 pin styles available

| Cap. (uF) | Catalog Part Number | Max. ESR | | Ripple Amps | | Nominal Size D x L (mm) |
|--------------------------------|------------------------|------------------|------------------|---------------|---------------|----------------------------------|
| | | @ +25°C | | @ +85°C | | |
| | | 120 Hz (ohms) | 20 kHz (ohms) | 120 Hz (A) | 20 kHz (A) | |
| 63 Vdc (79 Vdc Surge) | | | | | | |
| 10000 | 382L103M063N042 | 0.028 | 0.017 | 6.60 | 7.20 | 40 x 40 |
| 12000 | 380LX123M063K052 | 0.035 | 0.026 | 7.15 | 8.22 | 30 x 50 |
| 12000 | 382LX123M063N042 | 0.035 | 0.028 | 7.15 | 8.22 | 40 x 40 |
| 15000 | 380LX153M063A052 | 0.028 | 0.021 | 7.91 | 9.10 | 35 x 50 |
| 18000 | 380LX183M063A082 | 0.023 | 0.012 | 9.40 | 10.80 | 35 x 80 |
| 18000 | 382LX183M063N062 | 0.028 | 0.022 | 9.25 | 10.60 | 40 x 63 |
| 27000 | 380LX273M063A102 | 0.015 | 0.012 | 10.38 | 11.94 | 35 x 105 |
| 27000 | 382LX273M063N082 | 0.018 | 0.015 | 10.00 | 11.50 | 40 x 80 |
| 27000 | 382LX273M063B052V | 0.018 | 0.015 | 10.86 | 12.49 | 50 x 50 |
| 33000 | 382LX333M063N102 | 0.015 | 0.012 | 11.76 | 13.52 | 40 x 105 |
| 33000 | 382LX333M063B062V | 0.017 | 0.013 | 11.57 | 13.42 | 50 x 63 |
| 47000 | 382LX473M063B082V | 0.013 | 0.010 | 12.78 | 14.70 | 50 x 80 |
| 51000 | 382LX513M063B092V | 0.012 | 0.010 | 13.34 | 15.34 | 50 x 92 |
| 56000 | 382LX563M063B102V | 0.012 | 0.009 | 13.93 | 16.02 | 50 x 105 |
| 80 Vdc (100 Vdc Surge) | | | | | | |
| 680 | 380LX681M080H012 | 0.390 | 0.295 | 1.00 | 1.20 | 22 x 25 |
| 1000 | 380LX102M080H012 | 0.265 | 0.200 | 1.50 | 1.75 | 22 x 25 |
| 1200 | 380LX122M080H022 | 0.235 | 0.176 | 1.80 | 2.10 | 22 x 30 |
| 1500 | 380LX152M080H022 | 0.177 | 0.134 | 2.30 | 2.60 | 22 x 30 |
| 1500 | 380LX152M080K202 | 0.200 | 0.150 | 1.40 | 1.60 | 30 x 20 |
| 1800 | 380LX182M080J032 | 0.147 | 0.109 | 2.50 | 2.90 | 25 x 35 |
| 2200 | 380LX222M080H452 | 0.121 | 0.092 | 2.70 | 3.10 | 22 x 45 |
| 2200 | 380LX222M080K012 | 0.121 | 0.092 | 2.70 | 3.10 | 30 x 25 |
| 2700 | 380LX272M080J042 | 0.123 | 0.092 | 2.78 | 3.20 | 25 x 40 |
| 3300 | 380LX332M080J042 | 0.100 | 0.075 | 3.21 | 3.69 | 25 x 40 |
| 3300 | 380LX332M080K022 | 0.085 | 0.065 | 3.20 | 3.70 | 30 x 30 |
| 3900 | 380LX392M080J452 | 0.080 | 0.060 | 3.60 | 4.10 | 25 x 45 |
| 3900 | 380LX392M080K042 | 0.085 | 0.064 | 3.59 | 4.13 | 30 x 40 |
| 4700 | 380LX472M080J052 | 0.065 | 0.050 | 4.10 | 4.70 | 25 x 50 |
| 4700 | 380LX472M080K042 | 0.071 | 0.053 | 4.09 | 4.70 | 30 x 40 |
| 5600 | 380LX562M080K452 | 0.059 | 0.044 | 4.55 | 5.23 | 30 x 45 |
| 5600 | 380LX562M080A032 | 0.055 | 0.040 | 4.60 | 5.20 | 35 x 35 |
| 6800 | 380LX682M080K052 | 0.049 | 0.037 | 5.16 | 5.93 | 30 x 50 |
| 6800 | 380LX682M080A042 | 0.045 | 0.035 | 5.20 | 5.90 | 35 x 40 |
| 8200 | 380LX822M080A052 | 0.040 | 0.030 | 5.80 | 6.70 | 35 x 50 |
| 8200 | 382LX822M080N042 | 0.040 | 0.030 | 5.83 | 6.70 | 40 x 40 |
| 10000 | 380LX103M080A052 | 0.033 | 0.025 | 6.40 | 7.34 | 35 x 50 |
| 12000 | 380L123M080A072 | 0.020 | 0.012 | 8.10 | 9.00 | 35 x 70 |
| 12000 | 382L123M080N052 | 0.025 | 0.016 | 7.50 | 8.00 | 40 x 50 |
| 15000 | 380L153M080A082 | 0.017 | 0.010 | 8.80 | 9.60 | 35 x 80 |
| 15000 | 382L153M080N062 | 0.020 | 0.013 | 8.50 | 9.20 | 40 x 63 |
| 18000 | 382L183M080N082 | 0.014 | 0.009 | 10.30 | 10.80 | 40 x 80 |
| 80 Vdc (100 Vdc Surge) | | | | | | |
| 18000 | 382LX183M080B052V | 0.023 | 0.017 | 10.00 | 11.50 | 50 x 50 |
| 22000 | 380LX223M080A102 | 0.015 | 0.011 | 9.86 | 11.34 | 35 x 105 |
| 22000 | 382LX223M080B062V | 0.019 | 0.014 | 11.08 | 12.74 | 50 x 63 |
| 27000 | 382LX273M080N102 | 0.015 | 0.012 | 11.35 | 13.05 | 40 x 105 |
| 27000 | 382LX273M080B082V | 0.015 | 0.012 | 12.33 | 14.18 | 50 x 80 |
| 33000 | 382LX333M080B092V | 0.014 | 0.010 | 13.37 | 15.38 | 50 x 92 |
| 39000 | 382LX393M080B102V | 0.013 | 0.010 | 14.34 | 16.49 | 50 x 105 |
| 100 Vdc (125 Vdc Surge) | | | | | | |
| 470 | 380LX471M100H012 | 0.450 | 0.300 | 1.10 | 1.30 | 22 x 25 |
| 560 | 380LX561M100H012 | 0.400 | 0.250 | 1.30 | 1.50 | 22 x 25 |
| 680 | 380LX681M100H012 | 0.100 | 0.250 | 1.30 | 1.50 | 22 x 25 |
| 1000 | 380LX102M100H022 | 0.220 | 0.150 | 2.00 | 2.30 | 22 x 30 |
| 1000 | 380LX102M100J012 | 0.220 | 0.150 | 2.00 | 2.30 | 25 x 25 |
| 1200 | 380LX122M100H032 | 0.195 | 0.125 | 1.80 | 2.70 | 22 x 35 |
| 1500 | 380LX152M100H042 | 0.155 | 0.100 | 2.60 | 3.00 | 22 x 40 |
| 1800 | 380LX182M100H042 | 0.140 | 0.090 | 2.80 | 3.30 | 22 x 40 |
| 2200 | 380LX222M100J042 | 0.121 | 0.080 | 3.14 | 3.61 | 25 x 40 |
| 2700 | 380LX272M100J452 | 0.104 | 0.068 | 3.70 | 4.30 | 25 x 45 |
| 2700 | 380LX272M100A022 | 0.092 | 0.060 | 3.71 | 4.27 | 35 x 30 |
| 3300 | 380LX332M100J052 | 0.090 | 0.060 | 4.10 | 4.70 | 25 x 50 |
| 3300 | 380LX332M100K042 | 0.090 | 0.060 | 4.10 | 4.70 | 30 x 40 |
| 3300 | 380LX332M100A022 | 0.100 | 0.065 | 4.07 | 4.68 | 35 x 30 |
| 3900 | 380LX392M100K452 | 0.080 | 0.050 | 4.50 | 5.20 | 30 x 45 |
| 3900 | 380LX392M100K052 | 0.085 | 0.055 | 4.54 | 5.22 | 30 x 50 |
| 4700 | 380LX472M100K052 | 0.071 | 0.046 | 5.13 | 5.90 | 30 x 50 |
| 4700 | 380LX472M100A042 | 0.070 | 0.050 | 5.10 | 5.90 | 35 x 40 |
| 5600 | 380LX562M100A052 | 0.059 | 0.041 | 5.75 | 6.61 | 35 x 50 |
| 5600 | 382LX562M100N042 | 0.060 | 0.045 | 5.80 | 6.60 | 40 x 40 |
| 6800 | 380LX682M100A052 | 0.049 | 0.034 | 6.60 | 7.59 | 35 x 50 |
| 6800 | 382L682M100N052 | 0.026 | 0.017 | 7.40 | 7.90 | 40 x 50 |
| 8200 | 382LX822M100N052 | 0.040 | 0.030 | 7.30 | 8.40 | 40 x 50 |
| 8200 | 382L822M100N062 | 0.021 | 0.013 | 8.40 | 9.10 | 40 x 63 |
| 10000 | 380LX103M100A082 | 0.033 | 0.025 | 8.70 | 9.60 | 35 x 80 |
| 10000 | 382LX103M100N062 | 0.033 | 0.025 | 8.00 | 9.20 | 40 x 63 |
| 10000 | 382LX103M100B052V | 0.033 | 0.025 | 8.82 | 10.14 | 50 x 50 |
| 12000 | 380LX123M100A102 | 0.028 | 0.021 | 8.57 | 9.86 | 35 x 105 |
| 12000 | 382LX123M100N082 | 0.028 | 0.021 | 8.65 | 10.00 | 40 x 80 |
| 15000 | 382LX153M100N102 | 0.022 | 0.017 | 10.12 | 11.64 | 40 x 105 |
| 15000 | 382LX153M100B062V | 0.022 | 0.017 | 10.07 | 11.58 | 50 x 63 |
| 18000 | 382LX183M100B082V | 0.018 | 0.014 | 11.00 | 12.65 | 50 x 80 |
| 22000 | 382LX223M100B092V | 0.015 | 0.011 | 11.76 | 13.52 | 50 x 92 |
| 27000 | 382LX273M100B102V | 0.014 | 0.010 | 12.53 | 14.41 | 50 x 105 |

Type 380LX / 382LX 85 °C High Capacitance, Snap-In Aluminum

2, 4 and 5 pin styles available

| Cap. (uF) | Catalog Part Number | Max. ESR @ +25°C | | Ripple Amps @ +85°C | | Nominal Size D x L (mm) |
|--------------------------------|------------------------|---------------------|--------|------------------------|--------|----------------------------------|
| | | 120 Hz | 20 kHz | 120 Hz | 20 kHz | |
| | | (ohms) | (ohms) | (A) | (A) | |
| 160 Vdc (200 Vdc Surge) | | | | | | |
| 220 | 380LX221M160H012 | 0.850 | 0.420 | 0.90 | 1.25 | 22 x 25 |
| 270 | 380LX271M160H012 | 0.700 | 0.340 | 1.20 | 1.65 | 22 x 25 |
| 330 | 380LX331M160H012 | 0.600 | 0.310 | 1.50 | 2.00 | 22 x 25 |
| 390 | 380LX391M160H012 | 0.470 | 0.240 | 1.60 | 2.30 | 22 x 25 |
| 470 | 380LX471M160H022 | 0.420 | 0.220 | 1.86 | 2.66 | 22 x 30 |
| 560 | 380LX561M160H032 | 0.360 | 0.180 | 2.25 | 3.15 | 22 x 35 |
| 680 | 380LX681M160H042 | 0.296 | 0.130 | 2.36 | 2.39 | 22 x 40 |
| 820 | 380LX821M160J042 | 0.243 | 0.109 | 2.75 | 3.85 | 25 x 40 |
| 1000 | 380LX102M160J042 | 0.220 | 0.110 | 3.00 | 4.20 | 25 x 40 |
| 1200 | 380LX122M160K032 | 0.210 | 0.115 | 3.25 | 4.55 | 30 x 35 |
| 1800 | 380LX182M160K052 | 0.140 | 0.085 | 4.20 | 5.90 | 30 x 50 |
| 2700 | 380LX272M160A052 | 0.086 | 0.043 | 5.30 | 7.42 | 35 x 50 |
| 2700 | 382LX272M160N042 | 0.080 | 0.045 | 5.50 | 7.60 | 40 x 40 |
| 4700 | 382LX472M160N082 | 0.036 | 0.020 | 6.60 | 8.50 | 40 x 80 |
| 5600 | 382LX562M160N082 | 0.040 | 0.020 | 8.30 | 11.70 | 40 x 80 |
| 5600 | 382LX562M160B052V | 0.040 | 0.020 | 8.25 | 9.50 | 50 x 50 |
| 6800 | 380LX682M160N102 | 0.038 | 0.021 | 8.90 | 12.46 | 40 x 105 |
| 8200 | 382LX822M160B062V | 0.026 | 0.015 | 8.90 | 12.50 | 50 x 63 |
| 10000 | 382LX103M160N102 | 0.022 | 0.012 | 9.90 | 13.80 | 40 x 105 |
| 10000 | 382LX103M160B082V | 0.022 | 0.012 | 9.80 | 13.70 | 50 x 80 |
| 12000 | 382LX123M160B092V | 0.018 | 0.010 | 12.90 | 18.10 | 50 x 92 |
| 15000 | 382LX153M160B102V | 0.014 | 0.008 | 14.10 | 19.70 | 50 x 105 |
| 180 Vdc (225 Vdc Surge) | | | | | | |
| 330 | 380LX331M180H012 | 0.603 | 0.308 | 1.50 | 2.00 | 22 x 25 |
| 390 | 380LX391M180H022 | 0.510 | 0.230 | 1.68 | 2.35 | 22 x 30 |
| 470 | 380LX471M180H022 | 0.423 | 0.190 | 1.91 | 2.67 | 22 x 30 |
| 560 | 380LX561M180H042 | 0.355 | 0.160 | 2.25 | 3.15 | 22 x 40 |
| 680 | 380LX681M180J032 | 0.293 | 0.132 | 2.22 | 3.11 | 25 x 35 |
| 820 | 380LX821M180K022 | 0.240 | 0.120 | 2.80 | 3.90 | 30 x 30 |
| 1000 | 380LX102M180J052 | 0.220 | 0.100 | 3.00 | 4.20 | 25 x 50 |
| 1200 | 380LX122M180J052 | 0.170 | 0.080 | 3.31 | 4.63 | 25 x 50 |
| 1500 | 380LX152M180K052 | 0.130 | 0.070 | 3.80 | 5.40 | 30 x 50 |
| 1800 | 380LX182M180K052 | 0.120 | 0.050 | 4.32 | 6.05 | 30 x 50 |
| 2200 | 380LX222M180A052 | 0.090 | 0.050 | 4.90 | 6.90 | 35 x 50 |
| 2700 | 382LX272M180N062 | 0.051 | 0.027 | 5.00 | 6.50 | 40 x 63 |
| 4700 | 382LX472M180N082 | 0.036 | 0.020 | 6.60 | 8.50 | 40 x 80 |
| 200 Vdc (250 Vdc Surge) | | | | | | |
| 150 | 380LX151M200H012 | 1.330 | 0.600 | 0.65 | 0.90 | 22 x 25 |
| 220 | 380LX221M200H012 | 0.900 | 0.420 | 1.00 | 1.45 | 22 x 25 |
| 270 | 380LX271M200H012 | 0.730 | 0.300 | 1.40 | 2.00 | 22 x 25 |
| 330 | 380LX331M200H022 | 0.600 | 0.270 | 1.60 | 2.20 | 22 x 30 |
| 330 | 380LX331M200J012 | 0.470 | 0.210 | 1.70 | 2.40 | 25 x 25 |

| Cap. (uF) | Catalog Part Number | Max. ESR @ +25°C | | Ripple Amps @ +85°C | | Nominal Size D x L (mm) |
|--------------------------------|------------------------|---------------------|--------|------------------------|--------|----------------------------------|
| | | 120 Hz | 20 kHz | 120 Hz | 20 kHz | |
| | | (ohms) | (ohms) | (A) | (A) | |
| 200 Vdc (250 Vdc Surge) | | | | | | |
| 390 | 380LX391M200H022 | 0.510 | 0.230 | 1.68 | 2.35 | 22 x 30 |
| 390 | 380LX391M200J012 | 0.470 | 0.210 | 1.70 | 2.40 | 25 x 25 |
| 470 | 380LX471M200J022 | 0.420 | 0.190 | 1.90 | 2.60 | 25 x 30 |
| 470 | 380LX471M200A202 | 0.460 | 0.210 | 1.30 | 1.80 | 35 x 20 |
| 560 | 380LX561M200H042 | 0.360 | 0.160 | 2.18 | 3.08 | 22 x 40 |
| 680 | 380LX681M200H452 | 0.290 | 0.130 | 2.70 | 3.80 | 22 x 45 |
| 680 | 380LX681M200J032 | 0.270 | 0.120 | 2.70 | 3.80 | 25 x 35 |
| 680 | 380LX681M200K022 | 0.270 | 0.120 | 2.70 | 3.80 | 30 x 30 |
| 820 | 380LX821M200H452 | 0.243 | 0.124 | 2.90 | 4.10 | 22 x 45 |
| 820 | 380LX821M200J042 | 0.240 | 0.110 | 2.60 | 3.60 | 25 x 40 |
| 820 | 380LX821M200K022 | 0.220 | 0.100 | 2.90 | 4.10 | 30 x 30 |
| 1000 | 380LX102M200J452 | 0.199 | 0.090 | 3.25 | 4.55 | 25 x 45 |
| 1000 | 380LX102M200K022 | 0.199 | 0.102 | 3.30 | 4.60 | 30 x 30 |
| 1000 | 380LX102M200K032 | 0.216 | 0.097 | 3.20 | 4.50 | 30 x 35 |
| 1200 | 380LX122M200J052 | 0.144 | 0.072 | 3.87 | 5.42 | 25 x 50 |
| 1200 | 380LX122M200K042 | 0.166 | 0.075 | 3.50 | 4.90 | 30 x 40 |
| 1200 | 380LX122M200A022 | 0.166 | 0.075 | 3.50 | 4.90 | 35 x 30 |
| 1500 | 380LX152M200K452 | 0.144 | 0.072 | 3.87 | 5.42 | 30 x 45 |
| 1500 | 380LX152M200A032 | 0.144 | 0.072 | 3.87 | 5.42 | 35 x 35 |
| 1800 | 380LX182M200K052 | 0.120 | 0.060 | 4.32 | 6.05 | 30 x 50 |
| 1800 | 380LX182M200A042 | 0.120 | 0.060 | 4.32 | 6.05 | 35 x 40 |
| 2200 | 380LX222M200A452 | 0.098 | 0.054 | 4.92 | 6.89 | 35 x 45 |
| 2200 | 382LX222M200N042 | 0.098 | 0.054 | 4.92 | 6.89 | 40 x 40 |
| 2700 | 380LX272M200A062 | 0.080 | 0.045 | 5.50 | 7.70 | 35 x 63 |
| 2700 | 382LX272M200N052 | 0.080 | 0.045 | 5.40 | 7.60 | 40 x 50 |
| 3300 | 380LX332M200A082 | 0.065 | 0.037 | 6.40 | 9.00 | 35 x 80 |
| 3300 | 382LX332M200N062 | 0.065 | 0.037 | 6.30 | 8.90 | 40 x 63 |
| 3900 | 380LX392M200A082 | 0.055 | 0.030 | 6.60 | 9.25 | 35 x 80 |
| 3900 | 382LX392M200N062 | 0.055 | 0.030 | 6.80 | 9.50 | 40 x 63 |
| 3900 | 382LX392M200B052V | 0.055 | 0.030 | 8.22 | 9.45 | 50 x 50 |
| 4700 | 382LX472M200N082 | 0.046 | 0.025 | 8.38 | 11.73 | 40 x 80 |
| 4700 | 382LX472M200B062V | 0.046 | 0.025 | 9.32 | 13.05 | 50 x 63 |
| 5600 | 380LX562M200N102 | 0.040 | 0.020 | 8.90 | 12.46 | 40 x 105 |
| 6800 | 382LX682M200N102 | 0.032 | 0.017 | 8.65 | 12.11 | 40 x 105 |
| 6800 | 382LX682M200B082V | 0.032 | 0.017 | 11.41 | 15.97 | 50 x 80 |
| 7500 | 382LX752M200B092V | 0.029 | 0.016 | 12.28 | 17.19 | 50 x 92 |
| 8200 | 382LX822M200B102V | 0.026 | 0.014 | 13.16 | 18.42 | 50 x 105 |
| 250 Vdc (300 Vdc Surge) | | | | | | |
| 120 | 380LX121M250H012 | 1.660 | 0.850 | 0.50 | 0.60 | 22 x 25 |
| 150 | 380LX151M250H012 | 1.330 | 0.460 | 1.00 | 1.25 | 22 x 25 |
| 180 | 380LX181M250H012 | 1.110 | 0.550 | 1.10 | 1.50 | 22 x 25 |
| 220 | 380LX221M250H012 | 0.900 | 0.450 | 1.30 | 1.70 | 22 x 25 |

Type 380LX / 382LX 85 °C High Capacitance, Snap-In Aluminum

2, 4 and 5 pin styles available

| Cap. (uF) | Catalog Part Number | Max. ESR | | Ripple Amps | | Nominal Size D x L (mm) |
|--------------------------------|------------------------|------------------|------------------|---------------|---------------|----------------------------------|
| | | @ +25°C | | @ +85°C | | |
| | | 120 Hz (ohms) | 20 kHz (ohms) | 120 Hz (A) | 20 kHz (A) | |
| 250 Vdc (300 Vdc Surge) | | | | | | |
| 270 | 380LX271M250H022 | 0.620 | 0.250 | 1.30 | 1.80 | 22 x 30 |
| 330 | 380LX331M250H042 | 0.600 | 0.300 | 1.66 | 2.32 | 22 x 40 |
| 330 | 380LX331M250J022 | 0.550 | 0.220 | 1.80 | 2.50 | 25 x 30 |
| 390 | 380LX391M250J032 | 0.510 | 0.260 | 1.91 | 2.67 | 25 x 35 |
| 470 | 380LX471M250J032 | 0.420 | 0.190 | 2.11 | 2.95 | 25 x 35 |
| 470 | 380LX471M250J042 | 0.039 | 1.550 | 2.10 | 3.00 | 25 x 40 |
| 560 | 380LX561M250J032 | 0.360 | 0.160 | 2.25 | 3.15 | 25 x 35 |
| 560 | 380LX561M250K022 | 0.326 | 0.130 | 2.30 | 3.20 | 30 x 30 |
| 680 | 380LX681M250J452 | 0.270 | 0.110 | 2.50 | 3.50 | 25 x 45 |
| 680 | 380LX681M250K032 | 0.268 | 0.107 | 2.50 | 3.50 | 30 x 35 |
| 820 | 380LX821M250K042 | 0.222 | 0.089 | 2.80 | 3.90 | 30 x 40 |
| 820 | 380LX821M250A022 | 0.222 | 0.089 | 2.80 | 3.90 | 35 x 30 |
| 1000 | 380LX102M250K452 | 0.182 | 0.073 | 3.32 | 4.65 | 30 x 45 |
| 1000 | 380LX102M250A032 | 0.182 | 0.073 | 3.32 | 4.65 | 35 x 35 |
| 1200 | 380LX122M250A042 | 0.166 | 0.083 | 3.53 | 4.94 | 35 x 40 |
| 1500 | 380LX152M250A052 | 0.133 | 0.068 | 4.00 | 5.70 | 35 x 50 |
| 1500 | 382LX152M250N042 | 0.133 | 0.066 | 4.04 | 5.66 | 40 x 40 |
| 1800 | 380LX182M250A062 | 0.110 | 0.055 | 4.50 | 6.30 | 35 x 63 |
| 1800 | 382LX182M250N052 | 0.110 | 0.055 | 4.50 | 6.30 | 40 x 50 |
| 1800 | 382L182M250N062 | 0.062 | 0.030 | 4.80 | 6.40 | 40 x 63 |
| 2200 | 380LX222M250A062 | 0.090 | 0.045 | 4.70 | 6.60 | 35 x 63 |
| 2200 | 380LX222M250A082 | 0.090 | 0.045 | 4.90 | 6.90 | 35 x 80 |
| 2200 | 382LX222M250N062 | 0.090 | 0.045 | 4.90 | 6.90 | 40 x 63 |
| 2700 | 380LX272M250A082 | 0.074 | 0.037 | 5.60 | 7.90 | 35 x 80 |
| 2700 | 382LX272M250N062 | 0.074 | 0.037 | 5.80 | 8.10 | 40 x 63 |
| 2700 | 382L272M250N082 | 0.043 | 0.021 | 6.30 | 8.40 | 40 x 80 |
| 2700 | 382LX272M250B052V | 0.074 | 0.037 | 6.77 | 7.79 | 50 x 50 |
| 3300 | 382LX332M250N082 | 0.060 | 0.030 | 7.00 | 9.80 | 40 x 80 |
| 3300 | 382LX332M250B062V | 0.060 | 0.030 | 7.79 | 10.91 | 50 x 63 |
| 3900 | 382LX392M250N082 | 0.051 | 0.026 | 7.35 | 10.30 | 40 x 80 |
| 3900 | 380LX392M250N102 | 0.060 | 0.040 | 7.47 | 10.46 | 40 x 105 |
| 4700 | 382LX472M250N102 | 0.042 | 0.021 | 8.88 | 12.43 | 40 x 105 |
| 4700 | 382LX472M250B082V | 0.042 | 0.021 | 9.65 | 13.51 | 50 x 80 |
| 5600 | 382LX562M250B092V | 0.036 | 0.018 | 10.80 | 15.12 | 50 x 92 |
| 6800 | 382LX682M250B102V | 0.029 | 0.015 | 12.16 | 17.02 | 50 x 105 |
| 315 Vdc (365 Vdc Surge) | | | | | | |
| 100 | 380LX101M315H012 | 1.930 | 1.020 | 0.90 | 1.30 | 22 x 25 |
| 120 | 380LX121M315H012 | 1.660 | 0.860 | 1.00 | 1.40 | 22 x 25 |
| 150 | 380LX151M315H022 | 1.330 | 0.600 | 1.10 | 1.60 | 22 x 30 |
| 180 | 380LX181M315H022 | 1.110 | 0.550 | 1.21 | 1.69 | 22 x 30 |
| 220 | 380LX221M315H032 | 0.900 | 0.450 | 1.41 | 1.97 | 22 x 35 |
| 270 | 380LX271M315J032 | 0.740 | 0.370 | 1.60 | 2.24 | 25 x 35 |

| Cap. (uF) | Catalog Part Number | Max. ESR | | Ripple Amps | | Nominal Size D x L (mm) |
|--------------------------------|------------------------|------------------|------------------|---------------|---------------|----------------------------------|
| | | @ +25°C | | @ +85°C | | |
| | | 120 Hz (ohms) | 20 kHz (ohms) | 120 Hz (A) | 20 kHz (A) | |
| 315 Vdc (365 Vdc Surge) | | | | | | |
| 270 | 380LX271M315K022 | 0.737 | 0.376 | 1.60 | 2.20 | 30 x 30 |
| 330 | 380LX331M315J042 | 0.600 | 0.300 | 1.82 | 2.55 | 25 x 40 |
| 330 | 380LX331M315K022 | 0.603 | 0.308 | 1.80 | 2.50 | 30 x 30 |
| 390 | 380LX391M315J042 | 0.510 | 0.260 | 2.01 | 2.81 | 25 x 40 |
| 390 | 380LX391M315K032 | 0.510 | 0.260 | 2.00 | 2.80 | 30 x 35 |
| 390 | 380LX391M315A022 | 0.510 | 0.260 | 2.00 | 2.80 | 35 x 30 |
| 470 | 380LX471M315K042 | 0.423 | 0.216 | 2.30 | 3.20 | 30 x 40 |
| 470 | 380LX471M315A032 | 0.423 | 0.216 | 2.30 | 3.20 | 35 x 35 |
| 560 | 380LX561M315K452 | 0.355 | 0.181 | 2.60 | 3.60 | 30 x 45 |
| 560 | 380LX561M315A032 | 0.355 | 0.181 | 2.60 | 3.60 | 35 x 35 |
| 680 | 380LX681M315A452 | 0.293 | 0.149 | 2.90 | 4.00 | 35 x 45 |
| 820 | 380LX821M315A052 | 0.243 | 0.124 | 3.30 | 4.60 | 35 x 50 |
| 1000 | 380L102M315A062 | 0.218 | 0.129 | 2.70 | 3.60 | 35 x 63 |
| 1200 | 380L122M315A072 | 0.182 | 0.107 | 3.20 | 4.20 | 35 x 70 |
| 1200 | 382L122M315N052 | 0.202 | 0.122 | 2.90 | 3.90 | 40 x 50 |
| 1500 | 380L152M315A082 | 0.153 | 0.090 | 3.60 | 4.80 | 35 x 80 |
| 1500 | 382L152M315N062 | 0.162 | 0.098 | 3.40 | 4.50 | 40 x 63 |
| 1800 | 382L182M315N082 | 0.113 | 0.069 | 4.50 | 6.00 | 40 x 80 |
| 350 Vdc (400 Vdc Surge) | | | | | | |
| 82 | 380LX820M350H012 | 2.430 | 1.240 | 0.83 | 1.16 | 22 x 25 |
| 100 | 380LX101M350H022 | 1.990 | 1.020 | 0.70 | 1.10 | 22 x 30 |
| 120 | 380LX121M350H022 | 1.660 | 0.750 | 1.00 | 1.40 | 22 x 30 |
| 150 | 380LX151M350H022 | 1.330 | 0.600 | 1.10 | 1.60 | 22 x 30 |
| 180 | 380LX181M350H022 | 1.110 | 0.500 | 1.20 | 1.70 | 22 x 30 |
| 220 | 380LX221M350H042 | 0.900 | 0.410 | 1.44 | 2.00 | 22 x 40 |
| 270 | 380LX271M350H452 | 0.740 | 0.380 | 1.66 | 2.32 | 22 x 45 |
| 270 | 380LX271M350K022 | 0.614 | 0.215 | 1.66 | 2.32 | 30 x 30 |
| 330 | 380LX331M350J042 | 0.600 | 0.300 | 1.88 | 2.63 | 25 x 40 |
| 330 | 380LX331M350K032 | 0.500 | 0.180 | 1.90 | 2.60 | 30 x 35 |
| 330 | 380LX331M350A022 | 0.500 | 0.180 | 1.90 | 2.60 | 35 x 30 |
| 390 | 380LX391M350J452 | 0.510 | 0.230 | 1.80 | 2.50 | 25 x 45 |
| 390 | 380LX391M350K042 | 0.425 | 0.149 | 2.06 | 2.88 | 30 x 40 |
| 390 | 380LX391M350A022 | 0.425 | 0.149 | 2.06 | 2.88 | 35 x 30 |
| 470 | 380LX471M350K052 | 0.390 | 0.140 | 2.40 | 3.40 | 30 x 50 |
| 470 | 380LX471M350A032 | 0.390 | 0.140 | 2.40 | 3.40 | 35 x 35 |
| 560 | 380LX561M350K052 | 0.326 | 0.114 | 2.60 | 3.64 | 30 x 50 |
| 560 | 380LX561M350A042 | 0.326 | 0.114 | 2.60 | 3.64 | 35 x 40 |
| 680 | 380LX681M350A452 | 0.293 | 0.117 | 2.96 | 4.14 | 35 x 45 |
| 680 | 382LX681M350N042 | 0.293 | 0.117 | 3.00 | 4.10 | 40 x 40 |
| 820 | 380LX821M350A052 | 0.243 | 0.097 | 3.55 | 4.97 | 35 x 50 |
| 1000 | 380LX102M350A062 | 0.250 | 0.110 | 3.80 | 5.30 | 35 x 63 |
| 1000 | 382LX102M350N052 | 0.250 | 0.110 | 3.80 | 5.30 | 40 x 50 |

Type 380LX / 382LX 85 °C High Capacitance, Snap-In Aluminum

2, 4 and 5 pin styles available

| Cap. (uF) | Catalog Part Number | Max. ESR | | Ripple Amps | | Nominal Size D x L (mm) |
|--------------------------------|------------------------|------------------|------------------|---------------|---------------|----------------------------------|
| | | @ +25°C | | @ +85°C | | |
| | | 120 Hz (ohms) | 20 kHz (ohms) | 120 Hz (A) | 20 kHz (A) | |
| 350 Vdc (400 Vdc Surge) | | | | | | |
| 1200 | 380LX122M350A082 | 0.210 | 0.095 | 4.40 | 6.20 | 35 x 80 |
| 1200 | 382LX122M350N062 | 0.210 | 0.095 | 4.40 | 6.20 | 40 x 63 |
| 1200 | 382LX122M350B052V | 0.207 | 0.093 | 5.18 | 5.96 | 50 x 50 |
| 1500 | 382LX152M350B062V | 0.166 | 0.075 | 6.01 | 8.41 | 50 x 63 |
| 1800 | 380LX182M350A102 | 0.140 | 0.060 | 5.79 | 8.11 | 35 x 105 |
| 1800 | 382LX182M350N082 | 0.138 | 0.062 | 5.85 | 8.20 | 40 x 80 |
| 1800 | 382LX182M350B082V | 0.138 | 0.062 | 6.89 | 9.65 | 50 x 80 |
| 2200 | 382LX222M350N102 | 0.113 | 0.051 | 6.91 | 9.67 | 40 x 105 |
| 2200 | 382LX222M350B092V | 0.113 | 0.051 | 7.79 | 10.91 | 50 x 92 |
| 2700 | 382LX272M350B102V | 0.092 | 0.041 | 8.80 | 12.32 | 50 x 105 |
| 400 Vdc (450 Vdc Surge) | | | | | | |
| 47 | 380LX470M400H012 | 4.500 | 1.600 | 0.30 | 0.42 | 22 x 25 |
| 68 | 380LX680M400H012 | 2.930 | 1.000 | 0.35 | 0.50 | 22 x 25 |
| 82 | 380LX820M400H012 | 2.440 | 0.850 | 0.70 | 0.95 | 22 x 25 |
| 100 | 380LX101M400H012 | 1.990 | 0.900 | 0.90 | 1.30 | 22 x 25 |
| 100 | 380LX101M400H022 | 1.650 | 0.580 | 0.90 | 1.30 | 22 x 30 |
| 100 | 380LX101M400J012 | 1.650 | 0.580 | 0.90 | 1.30 | 25 x 25 |
| 120 | 380LX121M400H022 | 1.660 | 0.750 | 1.00 | 1.40 | 22 x 30 |
| 150 | 380LX151M400H032 | 1.330 | 0.460 | 1.20 | 1.60 | 22 x 35 |
| 150 | 380LX151M400J022 | 1.100 | 0.390 | 1.20 | 1.60 | 25 x 30 |
| 180 | 380LX181M400J032 | 1.100 | 0.500 | 1.30 | 1.85 | 25 x 35 |
| 220 | 380LX221M400J022 | 0.900 | 0.450 | 1.49 | 2.09 | 25 x 30 |
| 220 | 380LX221M400K022 | 0.750 | 0.260 | 1.50 | 2.10 | 30 x 30 |
| 270 | 380LX271M400J452 | 0.680 | 0.240 | 1.70 | 2.30 | 25 x 45 |
| 270 | 380LX271M400K022 | 0.740 | 0.370 | 1.67 | 2.34 | 30 x 30 |
| 270 | 380LX271M400K032 | 0.680 | 0.240 | 1.70 | 2.30 | 30 x 35 |
| 270 | 380LX271M400A022 | 0.680 | 0.240 | 1.70 | 2.30 | 35 x 30 |
| 330 | 380LX331M400K042 | 0.550 | 0.200 | 1.90 | 2.70 | 30 x 40 |
| 330 | 380LX331M400A022 | 0.550 | 0.200 | 1.90 | 2.70 | 35 x 30 |
| 330 | 380LX331M400A032 | 0.502 | 0.201 | 1.40 | 1.90 | 35 x 35 |
| 390 | 380LX391M400J452 | 0.470 | 0.160 | 2.10 | 3.00 | 25 x 45 |
| 390 | 380LX391M400K452 | 0.470 | 0.160 | 2.10 | 3.00 | 30 x 45 |
| 390 | 380LX391M400A032 | 0.470 | 0.160 | 2.10 | 3.00 | 35 x 35 |
| 470 | 380LX471M400A042 | 0.388 | 0.136 | 2.39 | 3.35 | 35 x 40 |
| 560 | 380LX561M400A452 | 0.326 | 0.114 | 2.69 | 3.77 | 35 x 45 |
| 560 | 382LX561M400N042 | 0.326 | 0.114 | 2.70 | 3.80 | 40 x 40 |
| 680 | 380LX681M400A052 | 0.270 | 0.095 | 3.00 | 4.20 | 35 x 50 |
| 680 | 382LX681M400N052 | 0.270 | 0.095 | 3.40 | 4.70 | 40 x 50 |
| 820 | 380LX821M400A062 | 0.222 | 0.078 | 3.55 | 4.97 | 35 x 63 |
| 820 | 382LX821M400N052 | 0.222 | 0.078 | 3.40 | 4.70 | 40 x 50 |
| 1000 | 380L102M400A082 | 0.179 | 0.099 | 3.60 | 4.80 | 35 x 80 |
| 1000 | 382LX102M400N062 | 0.199 | 0.127 | 4.20 | 5.80 | 40 x 63 |

| Cap. (uF) | Catalog Part Number | Max. ESR | | Ripple Amps | | Nominal Size D x L (mm) |
|--------------------------------|------------------------|------------------|------------------|---------------|---------------|----------------------------------|
| | | @ +25°C | | @ +85°C | | |
| | | 120 Hz (ohms) | 20 kHz (ohms) | 120 Hz (A) | 20 kHz (A) | |
| 400 Vdc (450 Vdc Surge) | | | | | | |
| 1000 | 382LX102M400B052V | 0.199 | 0.080 | 4.76 | 5.47 | 50 x 50 |
| 1200 | 380LX122M400A082 | 0.152 | 0.053 | 4.52 | 6.33 | 35 x 80 |
| 1200 | 382LX122M400N062 | 0.152 | 0.053 | 4.52 | 6.33 | 40 x 63 |
| 1200 | 382LX122M400B062V | 0.166 | 0.066 | 5.47 | 7.66 | 50 x 63 |
| 1500 | 380LX152M400A102 | 0.120 | 0.040 | 5.44 | 7.62 | 35 x 105 |
| 1500 | 382LX152M400N082 | 0.122 | 0.043 | 5.50 | 7.70 | 40 x 80 |
| 1500 | 382LX152M400B082V | 0.133 | 0.053 | 6.47 | 9.06 | 50 x 80 |
| 1800 | 382LX182M400N102 | 0.101 | 0.035 | 6.53 | 9.14 | 40 x 105 |
| 1800 | 382LX182M400B092V | 0.111 | 0.044 | 7.35 | 10.29 | 50 x 92 |
| 2200 | 382LX222M400B102V | 0.090 | 0.036 | 8.43 | 11.80 | 50 x 105 |
| 420 Vdc (470 Vdc Surge) | | | | | | |
| 82 | 380LX820M420H012 | 2.430 | 0.850 | 0.80 | 1.15 | 22 x 25 |
| 100 | 380LX101M420H022 | 1.820 | 0.820 | 0.90 | 1.30 | 22 x 30 |
| 120 | 380LX121M420H022 | 1.660 | 0.750 | 0.90 | 1.30 | 22 x 30 |
| 150 | 380LX151M420H042 | 1.330 | 0.600 | 1.15 | 1.60 | 22 x 40 |
| 180 | 380LX181M420H042 | 1.110 | 0.500 | 1.45 | 2.00 | 22 x 40 |
| 180 | 380LX181M420K022 | 1.100 | 0.390 | 1.45 | 2.00 | 30 x 30 |
| 220 | 380LX221M420H452 | 0.900 | 0.410 | 1.50 | 2.10 | 22 x 45 |
| 220 | 380LX221M420K022 | 0.900 | 0.320 | 1.50 | 2.10 | 30 x 30 |
| 270 | 380LX271M420J452 | 0.740 | 0.330 | 1.70 | 2.30 | 25 x 45 |
| 270 | 380LX271M420K032 | 0.740 | 0.260 | 1.70 | 2.30 | 30 x 35 |
| 270 | 380LX271M420A022 | 0.740 | 0.260 | 1.70 | 1.93 | 35 x 30 |
| 330 | 380LX331M420K452 | 0.600 | 0.210 | 1.90 | 2.68 | 30 x 45 |
| 330 | 380LX331M420A032 | 0.600 | 0.210 | 1.90 | 2.68 | 35 x 35 |
| 390 | 380LX391M420K052 | 0.500 | 0.180 | 2.10 | 3.00 | 30 x 50 |
| 390 | 380LX391M420A042 | 0.500 | 0.180 | 2.10 | 3.00 | 35 x 40 |
| 470 | 380LX471M420A452 | 0.420 | 0.150 | 2.40 | 3.35 | 35 x 45 |
| 560 | 380LX561M420A052 | 0.355 | 0.125 | 2.70 | 3.80 | 35 x 50 |
| 450 Vdc (500 Vdc Surge) | | | | | | |
| 33 | 380LX330M450H012 | 6.030 | 2.400 | 0.40 | 0.57 | 22 x 25 |
| 47 | 380LX470M450H202 | 4.230 | 1.690 | 0.30 | 0.40 | 22 x 20 |
| 56 | 380LX560M450H012 | 3.550 | 1.600 | 0.70 | 1.00 | 22 x 25 |
| 68 | 380LX680M450H012 | 2.930 | 1.020 | 0.80 | 1.10 | 22 x 25 |
| 82 | 380LX820M450H012 | 2.000 | 0.810 | 0.80 | 1.20 | 22 x 25 |
| 82 | 380LX820M450H022 | 2.430 | 1.210 | 0.83 | 1.16 | 22 x 30 |
| 100 | 380LX101M450H022 | 1.990 | 0.790 | 0.90 | 1.30 | 22 x 30 |
| 120 | 380LX121M450H022 | 1.659 | 0.661 | 1.00 | 1.50 | 22 x 30 |
| 120 | 380LX121M450H032 | 1.660 | 0.750 | 0.90 | 1.35 | 22 x 35 |
| 120 | 380LX121M450J012 | 1.380 | 0.550 | 1.00 | 1.50 | 25 x 25 |
| 150 | 380LX151M450H032 | 1.330 | 0.590 | 1.18 | 1.66 | 22 x 35 |
| 150 | 380LX151M450K022 | 1.100 | 0.440 | 1.20 | 1.70 | 30 x 30 |
| 180 | 380LX181M450J032 | 1.110 | 0.380 | 1.20 | 1.75 | 25 x 35 |

Type 380LX / 382LX 85 °C High Capacitance, Snap-In Aluminum

2, 4 and 5 pin styles available

| Cap. (uF) | Catalog Part Number | Max. ESR | | Ripple Amps | | Nominal Size D x L (mm) |
|--------------------------------|------------------------|------------------|------------------|---------------|---------------|----------------------------------|
| | | @ +25°C | | @ +85°C | | |
| | | 120 Hz (ohms) | 20 kHz (ohms) | 120 Hz (A) | 20 kHz (A) | |
| 450 Vdc (500 Vdc Surge) | | | | | | |
| 180 | 380LX181M450K012 | 0.921 | 0.368 | 1.40 | 1.90 | 30 x 25 |
| 180 | 380LX181M450K022 | 0.921 | 0.368 | 1.35 | 1.89 | 30 x 30 |
| 220 | 380LX221M450H452 | 0.754 | 0.301 | 1.40 | 2.00 | 22 x 45 |
| 220 | 380LX221M450J452 | 0.750 | 0.300 | 1.40 | 2.00 | 25 x 45 |
| 220 | 380LX221M450J052 | 0.754 | 0.301 | 1.55 | 2.17 | 25 x 50 |
| 220 | 380LX221M450K032 | 0.754 | 0.301 | 1.55 | 2.17 | 30 x 35 |
| 220 | 380LX221M450A022 | 0.904 | 0.461 | 1.60 | 2.20 | 35 x 30 |
| 270 | 380LX271M450K452 | 0.680 | 0.270 | 1.80 | 2.50 | 30 x 45 |
| 270 | 380LX271M450A022 | 0.680 | 0.270 | 1.80 | 2.50 | 35 x 30 |
| 330 | 380LX331M450K052 | 0.550 | 0.250 | 2.00 | 2.80 | 30 x 50 |
| 330 | 380LX331M450A032 | 0.553 | 0.221 | 2.01 | 2.81 | 35 x 35 |
| 390 | 380LX391M450A452 | 0.510 | 0.260 | 2.20 | 3.10 | 35 x 45 |
| 470 | 380LX471M450A452 | 0.423 | 0.233 | 2.53 | 3.54 | 35 x 45 |
| 470 | 382LX471M450N042 | 0.423 | 0.233 | 2.53 | 3.54 | 40 x 40 |
| 560 | 380LX561M450A052 | 0.355 | 0.171 | 2.50 | 3.50 | 35 x 50 |
| 560 | 380LX561M450A062 | 0.355 | 0.195 | 2.90 | 4.10 | 35 x 63 |
| 680 | 380L681M450A072 | 0.226 | 0.120 | 3.20 | 4.20 | 35 x 70 |
| 680 | 382LX681M450N052 | 0.290 | 0.160 | 3.15 | 4.40 | 40 x 50 |
| 680 | 382L681M450N062 | 0.201 | 0.109 | 3.40 | 4.50 | 40 x 63 |
| 820 | 380LX821M450A082 | 0.243 | 0.133 | 3.80 | 5.30 | 35 x 80 |
| 820 | 382LX821M450N062 | 0.243 | 0.133 | 3.70 | 5.20 | 40 x 63 |
| 820 | 382LX821M450B052V | 0.263 | 0.145 | 4.31 | 4.96 | 50 x 50 |
| 1000 | 382LX102M450N082 | 0.216 | 0.119 | 4.20 | 5.90 | 40 x 80 |
| 1000 | 382LX102M450B062V | 0.216 | 0.119 | 4.96 | 6.94 | 50 x 63 |
| 1200 | 380LX122M450A102 | 0.170 | 0.090 | 4.80 | 6.72 | 35 x 105 |
| 1200 | 382LX122M450N082 | 0.166 | 0.091 | 4.85 | 6.80 | 40 x 80 |
| 1200 | 382LX122M450B082V | 0.180 | 0.099 | 5.71 | 7.99 | 50 x 80 |
| 1500 | 382LX152M450N102 | 0.133 | 0.073 | 5.81 | 8.13 | 40 x 105 |
| 1500 | 382LX152M450B092V | 0.144 | 0.079 | 6.55 | 9.17 | 50 x 92 |
| 1800 | 382LX182M450B102V | 0.120 | 0.066 | 7.38 | 10.30 | 50 x 105 |
| 500 Vdc (550 Vdc Surge) | | | | | | |
| 33 | 380LX330M500H012 | 4.420 | 2.652 | 0.60 | 0.80 | 22 x 25 |
| 47 | 380LX470M500H012 | 3.500 | 2.100 | 0.63 | 0.88 | 22 x 25 |
| 56 | 380LX560M500H022 | 2.980 | 1.788 | 0.70 | 0.98 | 22 x 30 |
| 68 | 380LX680M500H032 | 2.720 | 1.632 | 0.78 | 1.09 | 22 x 35 |
| 68 | 380LX680M500J012 | 2.720 | 1.632 | 0.78 | 1.09 | 25 x 25 |
| 82 | 380LX820M500H042 | 2.455 | 1.473 | 0.88 | 1.23 | 22 x 40 |
| 82 | 380LX820M500J022 | 2.455 | 1.473 | 0.88 | 1.23 | 25 x 30 |
| 82 | 380LX820M500K012 | 2.455 | 1.473 | 0.90 | 1.20 | 30 x 25 |
| 100 | 380LX101M500H452 | 2.013 | 1.208 | 0.99 | 1.39 | 22 x 45 |
| 100 | 380LX101M500J032 | 2.013 | 1.208 | 0.99 | 1.39 | 25 x 35 |
| 100 | 380LX101M500J042 | 2.013 | 1.208 | 1.10 | 1.50 | 25 x 40 |

| Cap. (uF) | Catalog Part Number | Max. ESR | | Ripple Amps | | Nominal Size D x L (mm) |
|--------------------------------|------------------------|------------------|------------------|---------------|---------------|----------------------------------|
| | | @ +25°C | | @ +85°C | | |
| | | 120 Hz (ohms) | 20 kHz (ohms) | 120 Hz (A) | 20 kHz (A) | |
| 500 Vdc (550 Vdc Surge) | | | | | | |
| 100 | 380LX101M500K022 | 2.013 | 1.208 | 1.10 | 1.50 | 30 x 30 |
| 100 | 380LX101M500A012 | 2.013 | 1.208 | 1.10 | 1.50 | 35 x 25 |
| 120 | 380LX121M500H052 | 1.678 | 1.007 | 1.13 | 1.58 | 22 x 50 |
| 120 | 380LX121M500J042 | 1.678 | 1.007 | 1.13 | 1.58 | 25 x 40 |
| 120 | 380LX121M500K022 | 1.678 | 1.007 | 1.13 | 1.58 | 30 x 30 |
| 120 | 380LX121M500K032 | 1.678 | 1.007 | 1.40 | 1.90 | 30 x 35 |
| 120 | 380LX121M500A022 | 1.678 | 1.007 | 1.40 | 1.90 | 35 x 30 |
| 150 | 380LX151M500J452 | 1.105 | 0.442 | 1.29 | 1.80 | 25 x 45 |
| 150 | 380LX151M500J052 | 0.945 | 0.585 | 1.40 | 1.90 | 25 x 50 |
| 150 | 380LX151M500K032 | 1.105 | 0.442 | 1.29 | 1.80 | 30 x 35 |
| 150 | 380LX151M500K042 | 0.926 | 0.562 | 1.60 | 2.20 | 30 x 40 |
| 150 | 380LX151M500A012 | 1.342 | 0.805 | 1.29 | 1.80 | 35 x 25 |
| 180 | 380LX181M500J052 | 0.920 | 0.368 | 1.38 | 1.93 | 25 x 50 |
| 180 | 380LX181M500K042 | 0.920 | 0.368 | 1.38 | 1.93 | 30 x 40 |
| 180 | 380LX181M500A022 | 1.119 | 0.617 | 1.38 | 1.93 | 35 x 30 |
| 180 | 380LX181M500A032 | 1.119 | 0.617 | 1.60 | 2.20 | 35 x 35 |
| 220 | 380LX221M500K452 | 0.754 | 0.339 | 1.50 | 2.10 | 30 x 45 |
| 220 | 380LX221M500K052 | 0.654 | 0.397 | 2.00 | 2.70 | 30 x 50 |
| 220 | 380LX221M500A032 | 0.915 | 0.549 | 1.50 | 2.10 | 35 x 35 |
| 220 | 380LX221M500A042 | 0.915 | 0.549 | 1.90 | 2.50 | 35 x 40 |
| 270 | 380LX271M500A042 | 0.746 | 0.447 | 1.76 | 2.46 | 35 x 40 |
| 270 | 380LX271M500A052 | 0.746 | 0.447 | 2.30 | 3.10 | 35 x 50 |
| 270 | 382L271M500N042 | 0.746 | 0.447 | 2.40 | 3.20 | 40 x 40 |
| 330 | 380LX331M500A452 | 0.610 | 0.366 | 1.99 | 2.79 | 35 x 45 |
| 330 | 382LX331M500N042 | 0.610 | 0.366 | 2.16 | 3.00 | 40 x 40 |
| 390 | 380LX391M500A052 | 0.516 | 0.310 | 2.22 | 3.11 | 35 x 50 |
| 390 | 380LX391M500A062 | 0.516 | 0.310 | 2.70 | 3.60 | 35 x 63 |
| 390 | 382L391M500N052 | 0.516 | 0.310 | 2.90 | 3.90 | 40 x 50 |
| 470 | 380LX471M500A062 | 0.428 | 0.257 | 2.58 | 3.61 | 35 x 63 |
| 470 | 380LX471M500A072 | 0.428 | 0.257 | 3.20 | 4.20 | 35 x 70 |
| 470 | 382LX471M500N052 | 0.428 | 0.257 | 2.70 | 3.78 | 40 x 50 |
| 470 | 382L471M500N062 | 0.428 | 0.257 | 3.40 | 4.50 | 40 x 63 |
| 560 | 380LX561M500A082 | 0.360 | 0.216 | 3.60 | 4.80 | 35 x 80 |
| 560 | 382LX561M500N062 | 0.360 | 0.216 | 3.11 | 4.35 | 40 x 63 |
| 560 | 382LX561M500B052V | 0.360 | 0.216 | 3.52 | 4.05 | 50 x 50 |
| 680 | 380LX681M500A082 | 0.296 | 0.178 | 3.21 | 4.49 | 35 x 80 |
| 680 | 382L681M500N082 | 0.296 | 0.178 | 4.50 | 6.00 | 40 x 80 |
| 680 | 382LX681M500B062V | 0.296 | 0.178 | 4.07 | 5.70 | 50 x 63 |
| 820 | 380LX821M500A102 | 0.246 | 0.147 | 3.97 | 5.56 | 35 x 105 |
| 820 | 382LX821M500N082 | 0.246 | 0.147 | 3.88 | 5.43 | 40 x 80 |
| 1000 | 382LX102M500B082V | 0.199 | 0.121 | 5.05 | 7.07 | 50 x 80 |
| 1200 | 382LX122M500N102 | 0.168 | 0.101 | 5.90 | 8.26 | 40 x 105 |
| 1200 | 382LX122M500B092V | 0.168 | 0.101 | 5.74 | 8.04 | 50 x 92 |
| 1500 | 382LX152M500B102V | 0.134 | 0.081 | 6.65 | 9.31 | 50 x 105 |

Notice and Disclaimer: All product drawings, descriptions, specifications, statements, information and data (collectively, the "Information") in this datasheet or other publication are subject to change. The customer is responsible for checking, confirming and verifying the extent to which the Information contained in this datasheet or other publication is applicable to an order at the time the order is placed. All Information given herein is believed to be accurate and reliable, but it is presented without any guarantee, warranty, representation or responsibility of any kind, expressed or implied. Statements of suitability for certain applications are based on the knowledge that the Cornell Dubilier company providing such statements ("Cornell Dubilier") has of operating conditions that such Cornell Dubilier company regards as typical for such applications, but are not intended to constitute any guarantee, warranty or representation regarding any such matter – and Cornell Dubilier specifically and expressly disclaims any guarantee, warranty or representation concerning the suitability for a specific customer application, use, storage, transportation, or operating environment. The Information is intended for use only by customers who have the requisite experience and capability to determine the correct products for their application. Any technical advice inferred from this Information or otherwise provided by Cornell Dubilier with reference to the use of any Cornell Dubilier products is given gratis (unless otherwise specified by Cornell Dubilier), and Cornell Dubilier assumes no obligation or liability for the advice given or results obtained. Although Cornell Dubilier strives to apply the most stringent quality and safety standards regarding the design and manufacturing of its products, in light of the current state of the art, isolated component failures may still occur. Accordingly, customer applications which require a high degree of reliability or safety should employ suitable designs or other safeguards (such as installation of protective circuitry or redundancies or other appropriate protective measures) in order to ensure that the failure of an electrical component does not result in a risk of personal injury or property damage. Although all product-related warnings, cautions and notes must be observed, the customer should not assume that all safety measures are indicated in such warnings, cautions and notes, or that other safety measures may not be required.

X-ON Electronics

Largest Supplier of Electrical and Electronic Components

Click to view similar products for [Aluminum Electrolytic Capacitors - Snap In](#) category:

Click to view products by [Cornell Dubilier](#) manufacturer:

Other Similar products are found below :

[159LBA016M2DC](#) [2151-4-7320](#) [2170-4-7320](#) [380LX333M025K452](#) [MAL205952101E3](#) [450-20-0021](#) [450-20-0020](#) [EET-XB2W221LA](#)
[419-2066-400](#) [MAL219866151E3](#) [EKMS551VSN820MP35S](#) [QAK2J104KTP](#) [338LBA035M2BC](#) [380LX680M500J012](#)
[381LX101M450H022](#) [382LX152M500B102VS](#) [382LX272M400B102VS](#) [382LX273M080B082VS](#) [382LXE1366](#) [383LX102M400A082](#)
[383LX152M350N082](#) [383LX222M200A052](#) [383LX223M035A052](#) [383LX821M400A062](#) [MAL219836151E3](#) [477LBA200M2BF](#)
[B41231A5279M000](#) [B41231A8129M000](#) [B41252A4109M000](#) [B41252A5229M000](#) [B41252A6129M000](#) [B41252B3159M000](#)
[B41252B9108M000](#) [B41252C5159M000](#) [B43540B2108M000](#) [382LX223M050A052](#) [383LX183M063A082](#) [478LBA035M2BD](#)
[107LBA450M2BE](#) [108LBB250M2DG](#) [108LBB080M2BC](#) [109LBA035M2DD](#) [109LBB050M2DE](#) [ELH478M080VS3AA](#)
[B41231A7159M000](#) [B41231B9478M000](#) [382LX152M400N082](#) [LGX2H680MELA25](#) [LGX2H121MELB25](#) [LGX2H271MELB50](#)