

# Mica Capacitors, Standard Dipped

Types CD10, D10, CD15, CD19, CD30, CD42, CDV19, CDV30



Stability and mica go hand-in-hand when you need to count on stable capacitance over a wide temperature range. CDE's standard dipped silvered mica capacitors are the first choice for timing and close tolerance applications. These standard types are widely available through distribution.

## Highlights

- Reel packaging available
- High temperature – up to +150 °C
- Dimensions meet EIA RS153B specification
- 100,000 V/μs dV/dt pulse capability minimum
- Non-flammable units that meet IEC 695-2-2 are available

[Click here to see ordering information](#)

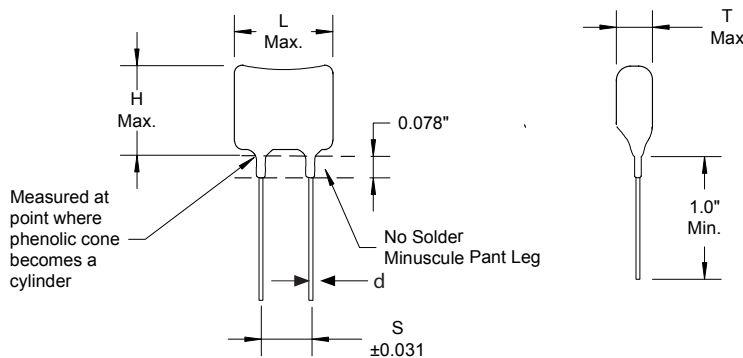
## Specifications

|                             |  |
|-----------------------------|--|
| Capacitance Range           | 1 pF to 91,000 pF  |
| Capacitance Tolerance       | ±1/2 pF (D), ±1 pF (C), ±1/2% (E), ±1% (F), ±2% (G), ±5% (J) |
| Rated Voltage               | 100 Vdc to 2500 Vdc  |
| Operating Temperature Range | -55 °C to +125 °C (O) -55 °C to +150 °C (P)*                 |
| Dielectric Strength Test    | 200% of rated voltage  |
| <b>RoHS Compliant</b>       |  |

\* P temperature range available for types CD10, CD15, CD19, CD30 and CD42

## Dimensions

| Construction Details |  |
|----------------------|--|
| Case Material        | Epoxy  |
| Terminal Material    | Copper clad steel, nickle undercoat, 100% tin finish |



# Mica Capacitors, Standard Dipped

Types CD10, D10, CD15, CD19, CD30, CD42, CDV19, CDV30

## Ratings

| Cap<br>(pF) | Volts<br>(Vdc) | Catalog<br>Part Number | L<br>(in) (mm) | H<br>(in) (mm) | T<br>(in) (mm) | S<br>(in) (mm) | d<br>(in) (mm) |
|-------------|----------------|------------------------|----------------|----------------|----------------|----------------|----------------|
| 1           | 500            | CD10CD010DO3F          | 0.36 ( 9.1)    | 0.33 ( 8.4)    | 0.19 (4.8)     | 0.141 (3.6)    | 0.016 (.4)     |
| 1           | 500            | CD15CD010DO3F          | 0.45 (11.4)    | 0.36 ( 9.1)    | 0.17 (4.3)     | 0.234 (5.9)    | 0.025 (.6)     |
| 2           | 500            | CD10CD020DO3F          | 0.36 ( 9.1)    | 0.33 ( 8.4)    | 0.19 (4.8)     | 0.141 (3.6)    | 0.016 (.4)     |
| 2           | 500            | CD15CD020DO3F          | 0.45 (11.4)    | 0.36 ( 9.1)    | 0.17 (4.3)     | 0.234 (5.9)    | 0.025 (.6)     |
| 3           | 500            | CD10CDO3F0DO3F         | 0.36 ( 9.1)    | 0.33 ( 8.4)    | 0.19 (4.8)     | 0.141 (3.6)    | 0.016 (.4)     |
| 3           | 500            | CD15CDO3F0DO3F         | 0.45 (11.4)    | 0.36 ( 9.1)    | 0.17 (4.3)     | 0.234 (5.9)    | 0.025 (.6)     |
| 4           | 500            | CD15CD040DO3F          | 0.45 (11.4)    | 0.36 ( 9.1)    | 0.17 (4.3)     | 0.234 (5.9)    | 0.025 (.6)     |
| 5           | 500            | CD10CD050DO3F          | 0.36 ( 9.1)    | 0.33 ( 8.4)    | 0.19 (4.8)     | 0.141 (3.6)    | 0.016 (.4)     |
| 5           | 500            | CD15CD050DO3F          | 0.45 (11.4)    | 0.36 ( 9.1)    | 0.17 (4.3)     | 0.234 (5.9)    | 0.025 (.6)     |
| 5           | 1,000          | CDV19CF050DO3F         | 0.64 (16.3)    | 0.50 (12.7)    | 0.19 (4.8)     | 0.344 (8.7)    | 0.032 (.8)     |
| 6           | 500            | CD10CD060DO3F          | 0.36 ( 9.1)    | 0.33 ( 8.4)    | 0.19 (4.8)     | 0.141 (3.6)    | 0.016 (.4)     |
| 6           | 500            | CD15CD060DO3F          | 0.45 (11.4)    | 0.36 ( 9.1)    | 0.17 (4.3)     | 0.234 (5.9)    | 0.025 (.6)     |
| 6           | 1,000          | CDV19CF060DO3F         | 0.64 (16.3)    | 0.50 (12.7)    | 0.19 (4.8)     | 0.344 (8.7)    | 0.032 (.8)     |
| 7           | 500            | CD10CD070DO3F          | 0.36 ( 9.1)    | 0.33 ( 8.4)    | 0.19 (4.8)     | 0.141 (3.6)    | 0.016 (.4)     |
| 7           | 500            | CD15CD070DO3F          | 0.45 (11.4)    | 0.36 ( 9.1)    | 0.17 (4.3)     | 0.234 (5.9)    | 0.025 (.6)     |
| 7           | 1,000          | CDV19CF070DO3F         | 0.64 (16.3)    | 0.50 (12.7)    | 0.19 (4.8)     | 0.344 (8.7)    | 0.032 (.8)     |
| 8           | 500            | CD10CD080DO3F          | 0.36 ( 9.1)    | 0.33 ( 8.4)    | 0.19 (4.8)     | 0.141 (3.6)    | 0.016 (.4)     |
| 8           | 500            | CD15CD080DO3F          | 0.45 (11.4)    | 0.36 ( 9.1)    | 0.17 (4.3)     | 0.234 (5.9)    | 0.025 (.6)     |
| 8           | 1,000          | CDV19CF080DO3F         | 0.64 (16.3)    | 0.50 (12.7)    | 0.19 (4.8)     | 0.344 (8.7)    | 0.032 (.8)     |
| 10          | 500            | CD10CD100JO3F          | 0.36 ( 9.1)    | 0.33 ( 8.4)    | 0.19 (4.8)     | 0.141 (3.6)    | 0.016 (.4)     |
| 10          | 500            | CD15CD100JO3F          | 0.45 (11.4)    | 0.36 ( 9.1)    | 0.17 (4.3)     | 0.234 (5.9)    | 0.025 (.6)     |
| 10          | 1,000          | CDV19CF100JO3F         | 0.64 (16.3)    | 0.50 (12.7)    | 0.19 (4.8)     | 0.344 (8.7)    | 0.032 (.8)     |
| 12          | 500            | CD10CD120JO3F          | 0.36 ( 9.1)    | 0.33 ( 8.4)    | 0.19 (4.8)     | 0.141 (3.6)    | 0.016 (.4)     |
| 12          | 500            | CD15CD120JO3F          | 0.45 (11.4)    | 0.36 ( 9.1)    | 0.17 (4.3)     | 0.234 (5.9)    | 0.025 (.6)     |
| 12          | 1,000          | CDV19CF120JO3F         | 0.64 (16.3)    | 0.50 (12.7)    | 0.19 (4.8)     | 0.344 (8.7)    | 0.032 (.8)     |
| 15          | 500            | CD10CD150JO3F          | 0.36 ( 9.1)    | 0.33 ( 8.4)    | 0.19 (4.8)     | 0.141 (3.6)    | 0.016 (.4)     |
| 15          | 500            | CD15CD150JO3F          | 0.45 (11.4)    | 0.36 ( 9.1)    | 0.17 (4.3)     | 0.234 (5.9)    | 0.025 (.6)     |
| 15          | 1000           | CDV19CF150JO3F         | 0.64 (16.3)    | 0.50 (12.7)    | 0.19 (4.8)     | 0.344 (8.7)    | 0.032 (.8)     |
| 18          | 500            | CD10CD180JO3F          | 0.36 ( 9.1)    | 0.33 ( 8.4)    | 0.19 (4.8)     | 0.141 (3.6)    | 0.016 (.4)     |
| 18          | 500            | CD15CD180JO3F          | 0.45 (11.4)    | 0.36 ( 9.1)    | 0.17 (4.3)     | 0.234 (5.9)    | 0.025 (.6)     |
| 18          | 1000           | CDV19CF180JO3F         | 0.64 (16.3)    | 0.50 (12.7)    | 0.19 (4.8)     | 0.344 ( 8.7)   | 0.032 ( .8)    |
| 20          | 500            | CD10ED200JO3F          | 0.36 ( 9.1)    | 0.33 ( 8.4)    | 0.19 (4.8)     | 0.141 ( 3.6)   | 0.016 ( .4)    |
| 20          | 500            | CD15ED200JO3F          | 0.45 (11.4)    | 0.36 ( 9.1)    | 0.17 (4.3)     | 0.234 ( 5.9)   | 0.025 ( .6)    |
| 20          | 1000           | CDV19EF200JO3F         | 0.64 (16.3)    | 0.50 (12.7)    | 0.19 (4.8)     | 0.344 ( 8.7)   | 0.032 ( .8)    |
| 22          | 500            | CD10ED220JO3F          | 0.36 ( 9.1)    | 0.33 ( 8.4)    | 0.19 (4.8)     | 0.141 ( 3.6)   | 0.016 ( .4)    |
| 22          | 500            | CD15ED220JO3F          | 0.45 (11.4)    | 0.36 ( 9.1)    | 0.17 (4.3)     | 0.234 ( 5.9)   | 0.025 ( .6)    |
| 22          | 1000           | CDV19EF220JO3F         | 0.64 (16.3)    | 0.50 (12.7)    | 0.19 (4.8)     | 0.344 ( 8.7)   | 0.032 ( .8)    |
| 24          | 500            | CD10ED240JO3F          | 0.36 ( 9.1)    | 0.33 ( 8.4)    | 0.19 (4.8)     | 0.141 ( 3.6)   | 0.016 ( .4)    |
| 24          | 500            | CD15ED240JO3F          | 0.45 (11.4)    | 0.36 ( 9.1)    | 0.17 (4.3)     | 0.234 ( 5.9)   | 0.025 ( .6)    |
| 24          | 1000           | CDV19EF240JO3F         | 0.64 (16.3)    | 0.50 (12.7)    | 0.19 (4.8)     | 0.344 ( 8.7)   | 0.032 ( .8)    |
| 24          | 1,500          | CDV30EH240JO3F         | 0.77 (19.6)    | 0.85 (21.6)    | 0.25 (6.4)     | 0.438 (11.1)   | 0.040 (1.0)    |
| 24          | 2000           | CDV30EJ240JO3F         | 0.77 (19.6)    | 0.86 (21.8)    | 0.25 (6.4)     | 0.438 (11.1)   | 0.040 (1.0)    |
| 24          | 2500           | CDV30EK240JO3F         | 0.78 (19.8)    | 0.86 (21.8)    | 0.25 (6.4)     | 0.438 (11.1)   | 0.040 (1.0)    |
| 27          | 500            | CD10ED270JO3F          | 0.37 ( 9.4)    | 0.33 ( 8.4)    | 0.19 (4.8)     | 0.141 ( 3.6)   | 0.016 ( .4)    |
| 27          | 500            | CD15ED270JO3F          | 0.45 (11.4)    | 0.36 ( 9.1)    | 0.17 (4.3)     | 0.234 ( 5.9)   | 0.025 ( .6)    |

# Mica Capacitors, Standard Dipped

Types CD10, D10, CD15, CD19, CD30, CD42, CDV19, CDV30

| Cap<br>(pF) | Volts<br>(Vdc) | Catalog<br>Part Number | L<br>(in) (mm) | H<br>(in) (mm) | T<br>(in) (mm) | S<br>(in) (mm) | d<br>(in) (mm) |
|-------------|----------------|------------------------|----------------|----------------|----------------|----------------|----------------|
| 27          | 1000           | CDV19EF270JO3F         | 0.64 (16.3)    | 0.50 (12.7)    | 0.19 (4.8)     | 0.344 ( 8.7)   | 0.032 ( .8)    |
| 27          | 1500           | CDV30EH270JO3F         | 0.77 (19.6)    | 0.85 (21.6)    | 0.25 (6.4)     | 0.438 (11.1)   | 0.040 (1.0)    |
| 27          | 2000           | CDV30EJ270JO3F         | 0.77 (19.6)    | 0.86 (21.8)    | 0.25 (6.4)     | 0.438 (11.1)   | 0.040 (1.0)    |
| 27          | 2500           | CDV30EK270JO3F         | 0.78 (19.8)    | 0.86 (21.8)    | 0.25 (6.4)     | 0.438 (11.1)   | 0.040 (1.0)    |
| 30          | 500            | CD10ED300JO3F          | 0.37 ( 9.4)    | 0.34 ( 8.6)    | 0.19 (4.8)     | 0.141 ( 3.6)   | 0.016 ( .4)    |
| 30          | 500            | CD15ED300JO3F          | 0.45 (11.4)    | 0.36 ( 9.1)    | 0.17 (4.3)     | 0.234 ( 5.9)   | 0.025 ( .6)    |
| 30          | 1000           | CDV19EF300JO3F         | 0.64 (16.3)    | 0.50 (12.7)    | 0.19 (4.8)     | 0.344 ( 8.7)   | 0.032 ( .8)    |
| 30          | 1500           | CDV30EH300JO3F         | 0.77 (19.6)    | 0.85 (21.6)    | 0.25 (6.4)     | 0.438 (11.1)   | 0.040 (1.0)    |
| 30          | 2000           | CDV30EJ300JO3F         | 0.77 (19.6)    | 0.86 (21.8)    | 0.25 (6.4)     | 0.438 (11.1)   | 0.040 (1.0)    |
| 30          | 2,500          | CDV30EK300JO3F         | 0.78 (19.8)    | 0.86 (21.8)    | 0.25 (6.4)     | 0.438 (11.1)   | 0.040 (1.0)    |
| 33          | 500            | CD10ED330JO3F          | 0.37 ( 9.4)    | 0.34 ( 8.6)    | 0.19 (4.8)     | 0.141 ( 3.6)   | 0.016 ( .4)    |
| 33          | 500            | CD15ED330JO3F          | 0.45 (11.4)    | 0.36 ( 9.1)    | 0.17 (4.3)     | 0.234 ( 5.9)   | 0.025 ( .6)    |
| 33          | 1,000          | CDV19EF330JO3F         | 0.64 (16.3)    | 0.50 (12.7)    | 0.19 (4.8)     | 0.344 ( 8.7)   | 0.032 ( .8)    |
| 33          | 1500           | CDV30EH330JO3F         | 0.77 (19.6)    | 0.85 (21.6)    | 0.25 (6.4)     | 0.438 (11.1)   | 0.040 (1.0)    |
| 33          | 2000           | CDV30EJ330JO3F         | 0.77 (19.6)    | 0.86 (21.8)    | 0.25 (6.4)     | 0.438 (11.1)   | 0.040 (1.0)    |
| 33          | 2,500          | CDV30EK330JO3F         | 0.78 (19.8)    | 0.86 (21.8)    | 0.25 (6.4)     | 0.438 (11.1)   | 0.040 (1.0)    |
| 36          | 500            | CD10ED360JO3F          | 0.37 ( 9.4)    | 0.34 ( 8.6)    | 0.19 (4.8)     | 0.141 ( 3.6)   | 0.016 ( .4)    |
| 36          | 500            | CD15ED360JO3F          | 0.45 (11.4)    | 0.36 ( 9.1)    | 0.17 (4.3)     | 0.234 ( 5.9)   | 0.025 ( .6)    |
| 36          | 1,000          | CDV19EF360JO3F         | 0.64 (16.3)    | 0.50 (12.7)    | 0.19 (4.8)     | 0.344 ( 8.7)   | 0.032 ( .8)    |
| 36          | 1500           | CDV30EH360JO3F         | 0.77 (19.6)    | 0.85 (21.6)    | 0.25 (6.4)     | 0.438 (11.1)   | 0.040 (1.0)    |
| 36          | 2000           | CDV30EJ360JO3F         | 0.77 (19.6)    | 0.86 (21.8)    | 0.25 (6.4)     | 0.438 (11.1)   | 0.040 (1.0)    |
| 36          | 2,500          | CDV30EK360JO3F         | 0.78 (19.8)    | 0.86 (21.8)    | 0.25 (6.4)     | 0.438 (11.1)   | 0.040 (1.0)    |
| 39          | 500            | CD10ED390JO3F          | 0.37 ( 9.4)    | 0.34 ( 8.6)    | 0.19 (4.8)     | 0.141 ( 3.6)   | 0.016 ( .4)    |
| 39          | 500            | CD15ED390JO3F          | 0.45 (11.4)    | 0.36 ( 9.1)    | 0.17 (4.3)     | 0.234 ( 5.9)   | 0.025 ( .6)    |
| 39          | 1,000          | CDV19EF390JO3F         | 0.64 (16.3)    | 0.50 (12.7)    | 0.19 (4.8)     | 0.344 ( 8.7)   | 0.032 ( .8)    |
| 39          | 1500           | CDV30EH390JO3F         | 0.77 (19.6)    | 0.85 (21.6)    | 0.25 (6.4)     | 0.438 (11.1)   | 0.040 (1.0)    |
| 39          | 2000           | CDV30EJ390JO3F         | 0.77 (19.6)    | 0.86 (21.8)    | 0.25 (6.4)     | 0.438 (11.1)   | 0.040 (1.0)    |
| 39          | 2500           | CDV30EK390JO3F         | 0.78 (19.8)    | 0.86 (21.8)    | 0.25 (6.4)     | 0.438 (11.1)   | 0.040 (1.0)    |
| 43          | 500            | CD10ED430JO3F          | 0.37 ( 9.4)    | 0.34 ( 8.6)    | 0.19 (4.8)     | 0.141 ( 3.6)   | 0.016 ( .4)    |
| 43          | 500            | CD15ED430JO3F          | 0.45 (11.4)    | 0.36 ( 9.1)    | 0.17 (4.3)     | 0.234 ( 5.9)   | 0.025 ( .6)    |
| 43          | 1000           | CDV19EF430JO3F         | 0.64 (16.3)    | 0.50 (12.7)    | 0.19 (4.8)     | 0.344 ( 8.7)   | 0.032 ( .8)    |
| 43          | 1500           | CDV30EH430JO3F         | 0.77 (19.6)    | 0.85 (21.6)    | 0.25 (6.4)     | 0.438 (11.1)   | 0.040 (1.0)    |
| 43          | 2000           | CDV30EJ430JO3F         | 0.77 (19.6)    | 0.86 (21.8)    | 0.25 (6.4)     | 0.438 (11.1)   | 0.040 (1.0)    |
| 43          | 2500           | CDV30EK430JO3F         | 0.78 (19.8)    | 0.86 (21.8)    | 0.25 (6.4)     | 0.438 (11.1)   | 0.040 (1.0)    |
| 47          | 500            | CD10ED470JO3F          | 0.37 ( 9.4)    | 0.34 ( 8.6)    | 0.19 (4.8)     | 0.141 ( 3.6)   | 0.016 ( .4)    |
| 47          | 500            | CD15ED470JO3F          | 0.45 (11.4)    | 0.36 ( 9.1)    | 0.17 (4.3)     | 0.234 ( 5.9)   | 0.025 ( .6)    |
| 47          | 1000           | CDV19EF470JO3F         | 0.64 (16.3)    | 0.50 (12.7)    | 0.19 (4.8)     | 0.344 ( 8.7)   | 0.032 ( .8)    |
| 47          | 1,500          | CDV30EH470JO3F         | 0.77 (19.6)    | 0.85 (21.6)    | 0.25 (6.4)     | 0.438 (11.1)   | 0.040 (1.0)    |
| 47          | 2000           | CDV30EJ470JO3F         | 0.77 (19.6)    | 0.86 (21.8)    | 0.25 (6.4)     | 0.438 (11.1)   | 0.040 (1.0)    |
| 47          | 2500           | CDV30EK470JO3F         | 0.78 (19.8)    | 0.86 (21.8)    | 0.25 (6.4)     | 0.438 (11.1)   | 0.040 (1.0)    |
| 50          | 500            | CD10ED500JO3F          | 0.37 ( 9.4)    | 0.34 ( 8.6)    | 0.19 (4.8)     | 0.141 ( 3.6)   | 0.016 ( .4)    |
| 50          | 500            | CD15ED500JO3F          | 0.45 (11.4)    | 0.36 ( 9.1)    | 0.17 (4.3)     | 0.234 ( 5.9)   | 0.025 ( .6)    |
| 50          | 1000           | CDV19EF500JO3F         | 0.64 (16.3)    | 0.50 (12.7)    | 0.19 (4.8)     | 0.344 ( 8.7)   | 0.032 ( .8)    |
| 50          | 1,500          | CDV30EH500JO3F         | 0.77 (19.6)    | 0.85 (21.6)    | 0.25 (6.4)     | 0.438 (11.1)   | 0.040 (1.0)    |
| 50          | 2,000          | CDV30EJ500JO3F         | 0.77 (19.6)    | 0.86 (21.8)    | 0.25 (6.4)     | 0.438 (11.1)   | 0.040 (1.0)    |

# Mica Capacitors, Standard Dipped

## Types CD10, D10, CD15, CD19, CD30, CD42, CDV19, CDV30

| Cap<br>(pF) | Volts<br>(Vdc) | Catalog<br>Part Number | L<br>(in) (mm) | H<br>(in) (mm) | T<br>(in) (mm) | S<br>(in) (mm) | d<br>(in) (mm) |
|-------------|----------------|------------------------|----------------|----------------|----------------|----------------|----------------|
| 50          | 2500           | CDV30EK500JO3F         | 0.78 (19.8)    | 0.86 (21.8)    | 0.25 (6.4)     | 0.438 (11.1)   | 0.040 (1.0)    |
| 51          | 500            | CD10ED510JO3F          | 0.37 ( 9.4)    | 0.34 ( 8.6)    | 0.19 (4.8)     | 0.141 ( 3.6)   | 0.016 ( .4)    |
| 51          | 500            | CD15ED510JO3F          | 0.45 (11.4)    | 0.36 ( 9.1)    | 0.17 (4.3)     | 0.234 ( 5.9)   | 0.025 ( .6)    |
| 51          | 1000           | CDV19EF510JO3F         | 0.64 (16.3)    | 0.50 (12.7)    | 0.19 (4.8)     | 0.344 ( 8.7)   | 0.032 ( .8)    |
| 51          | 1500           | CDV30EH510JO3F         | 0.77 (19.6)    | 0.85 (21.6)    | 0.25 (6.4)     | 0.438 (11.1)   | 0.040 (1.0)    |
| 51          | 2000           | CDV30EJ510JO3F         | 0.77 (19.6)    | 0.86 (21.8)    | 0.25 (6.4)     | 0.438 (11.1)   | 0.040 (1.0)    |
| 51          | 2500           | CDV30EK510JO3F         | 0.78 (19.8)    | 0.86 (21.8)    | 0.25 (6.4)     | 0.438 (11.1)   | 0.040 (1.0)    |
| 56          | 500            | CD10ED560JO3F          | 0.37 ( 9.4)    | 0.34 ( 8.6)    | 0.19 (4.8)     | 0.141 ( 3.6)   | 0.016 ( .4)    |
| 56          | 500            | CD15ED560JO3F          | 0.45 (11.4)    | 0.36 ( 9.1)    | 0.17 (4.3)     | 0.234 ( 5.9)   | 0.025 ( .6)    |
| 56          | 1,000          | CDV19EF560JO3F         | 0.64 (16.3)    | 0.50 (12.7)    | 0.19 (4.8)     | 0.344 ( 8.7)   | 0.032 ( .8)    |
| 56          | 1500           | CDV30EH560JO3F         | 0.77 (19.6)    | 0.85 (21.6)    | 0.25 (6.4)     | 0.438 (11.1)   | 0.040 (1.0)    |
| 56          | 2500           | CDV30EK560JO3F         | 0.78 (19.8)    | 0.86 (21.8)    | 0.25 (6.4)     | 0.438 (11.1)   | 0.040 (1.0)    |
| 62          | 500            | CD10ED620JO3F          | 0.37 ( 9.4)    | 0.34 ( 8.6)    | 0.19 (4.8)     | 0.141 ( 3.6)   | 0.016 ( .4)    |
| 62          | 500            | CD15ED620JO3F          | 0.45 (11.4)    | 0.36 ( 9.1)    | 0.17 (4.3)     | 0.234 ( 5.9)   | 0.025 ( .6)    |
| 62          | 1000           | CDV19EF620JO3F         | 0.64 (16.3)    | 0.50 (12.7)    | 0.19 (4.8)     | 0.344 ( 8.7)   | 0.032 ( .8)    |
| 62          | 1,500          | CDV30EH620JO3F         | 0.77 (19.6)    | 0.85 (21.6)    | 0.25 (6.4)     | 0.438 (11.1)   | 0.040 (1.0)    |
| 62          | 2000           | CDV30EJ620JO3F         | 0.77 (19.6)    | 0.86 (21.8)    | 0.25 (6.4)     | 0.438 (11.1)   | 0.040 (1.0)    |
| 62          | 2500           | CDV30EK620JO3F         | 0.78 (19.8)    | 0.86 (21.8)    | 0.25 (6.4)     | 0.438 (11.1)   | 0.040 (1.0)    |
| 68          | 500            | CD10ED680JO3F          | 0.37 ( 9.4)    | 0.34 ( 8.6)    | 0.19 (4.8)     | 0.141 ( 3.6)   | 0.016 ( .4)    |
| 68          | 500            | CD15ED680JO3F          | 0.45 (11.4)    | 0.36 ( 9.1)    | 0.18 (4.6)     | 0.234 ( 5.9)   | 0.025 ( .6)    |
| 68          | 1000           | CDV19EF680JO3F         | 0.64 (16.3)    | 0.50 (12.7)    | 0.19 (4.8)     | 0.344 ( 8.7)   | 0.032 ( .8)    |
| 68          | 1,500          | CDV30EH680JO3F         | 0.77 (19.6)    | 0.85 (21.6)    | 0.25 (6.4)     | 0.438 (11.1)   | 0.040 (1.0)    |
| 68          | 2000           | CDV30EJ680JO3F         | 0.77 (19.6)    | 0.86 (21.8)    | 0.25 (6.4)     | 0.438 (11.1)   | 0.040 (1.0)    |
| 68          | 2500           | CDV30EK680JO3F         | 0.78 (19.8)    | 0.86 (21.8)    | 0.25 (6.4)     | 0.438 (11.1)   | 0.040 (1.0)    |
| 75          | 500            | CD10ED750JO3F          | 0.37 ( 9.4)    | 0.34 ( 8.6)    | 0.20 (5.1)     | 0.141 ( 3.6)   | 0.016 ( .4)    |
| 75          | 500            | CD15ED750JO3F          | 0.45 (11.4)    | 0.36 ( 9.1)    | 0.18 (4.6)     | 0.234 ( 5.9)   | 0.025 ( .6)    |
| 75          | 1000           | CDV19EF750JO3F         | 0.64 (16.3)    | 0.50 (12.7)    | 0.19 (4.8)     | 0.344 ( 8.7)   | 0.032 ( .8)    |
| 75          | 1500           | CDV30EH750JO3F         | 0.77 (19.6)    | 0.85 (21.6)    | 0.25 (6.4)     | 0.438 (11.1)   | 0.040 (1.0)    |
| 75          | 2000           | CDV30EJ750JO3F         | 0.77 (19.6)    | 0.86 (21.8)    | 0.25 (6.4)     | 0.438 (11.1)   | 0.040 (1.0)    |
| 75          | 2500           | CDV30EK750JO3F         | 0.78 (19.8)    | 0.86 (21.8)    | 0.25 (6.4)     | 0.438 (11.1)   | 0.040 (1.0)    |
| 82          | 500            | CD10ED820JO3F          | 0.37 ( 9.4)    | 0.35 ( 8.9)    | 0.20 (5.1)     | 0.141 ( 3.6)   | 0.016 ( .4)    |
| 82          | 500            | CD15ED820JO3F          | 0.45 (11.4)    | 0.36 ( 9.1)    | 0.18 (4.6)     | 0.234 ( 5.9)   | 0.025 ( .6)    |
| 82          | 1000           | CDV19EF820JO3F         | 0.64 (16.3)    | 0.50 (12.7)    | 0.19 (4.8)     | 0.344 ( 8.7)   | 0.032 ( .8)    |
| 82          | 1500           | CDV30EH820JO3F         | 0.77 (19.6)    | 0.85 (21.6)    | 0.25 (6.4)     | 0.438 (11.1)   | 0.040 (1.0)    |
| 82          | 2,000          | CDV30EJ820JO3F         | 0.77 (19.6)    | 0.86 (21.8)    | 0.25 (6.4)     | 0.438 (11.1)   | 0.040 (1.0)    |
| 82          | 2500           | CDV30EK820JO3F         | 0.78 (19.8)    | 0.86 (21.8)    | 0.25 (6.4)     | 0.438 (11.1)   | 0.040 (1.0)    |
| 91          | 500            | CD10FD910JO3F          | 0.37 ( 9.4)    | 0.35 ( 8.9)    | 0.20 (5.1)     | 0.141 ( 3.6)   | 0.016 ( .4)    |
| 91          | 500            | CD15FD910JO3F          | 0.46 (11.7)    | 0.36 ( 9.1)    | 0.18 (4.6)     | 0.234 ( 5.9)   | 0.025 ( .6)    |
| 91          | 1000           | CDV19FF910JO3F         | 0.64 (16.3)    | 0.50 (12.7)    | 0.19 (4.8)     | 0.344 ( 8.7)   | 0.032 ( .8)    |
| 91          | 1500           | CDV30FH910JO3F         | 0.77 (19.6)    | 0.85 (21.6)    | 0.25 (6.4)     | 0.438 (11.1)   | 0.040 (1.0)    |
| 91          | 2,000          | CDV30FJ910JO3F         | 0.77 (19.6)    | 0.86 (21.8)    | 0.25 (6.4)     | 0.438 (11.1)   | 0.040 (1.0)    |
| 91          | 2500           | CDV30FK910JO3F         | 0.78 (19.8)    | 0.86 (21.8)    | 0.25 (6.4)     | 0.438 (11.1)   | 0.040 (1.0)    |
| 100         | 500            | CD10FD101JO3F          | 0.37 ( 9.4)    | 0.35 ( 8.9)    | 0.20 (5.1)     | 0.141 ( 3.6)   | 0.016 ( .4)    |
| 100         | 500            | CD15FD101JO3F          | 0.46 (11.7)    | 0.36 ( 9.1)    | 0.18 (4.6)     | 0.234 ( 5.9)   | 0.025 ( .6)    |
| 100         | 500            | CD19FD101JO3F          | 0.64 (16.3)    | 0.50 (12.7)    | 0.19 (4.8)     | 0.344 ( 8.7)   | 0.032 ( .8)    |

# Mica Capacitors, Standard Dipped

Types CD10, D10, CD15, CD19, CD30, CD42, CDV19, CDV30

| Cap<br>(pF) | Volts<br>(Vdc) | Catalog<br>Part Number | L<br>(in) (mm) | H<br>(in) (mm) | T<br>(in) (mm) | S<br>(in) (mm) | d<br>(in) (mm) |
|-------------|----------------|------------------------|----------------|----------------|----------------|----------------|----------------|
| 100         | 1000           | CDV19FF101JO3F         | 0.64 (16.3)    | 0.50 (12.7)    | 0.19 (4.8)     | 0.344 ( 8.7)   | 0.032 ( .8)    |
| 100         | 1500           | CDV30FH101JO3F         | 0.77 (19.6)    | 0.85 (21.6)    | 0.25 (6.4)     | 0.438 (11.1)   | 0.040 (1.0)    |
| 100         | 2,000          | CDV30FJ101JO3F         | 0.77 (19.6)    | 0.86 (21.8)    | 0.25 (6.4)     | 0.438 (11.1)   | 0.040 (1.0)    |
| 100         | 2,500          | CDV30FK101JO3F         | 0.78 (19.8)    | 0.86 (21.8)    | 0.25 (6.4)     | 0.438 (11.1)   | 0.040 (1.0)    |
| 110         | 500            | CD10FD111JO3F          | 0.38 ( 9.7)    | 0.35 ( 8.9)    | 0.20 (5.1)     | 0.141 ( 3.6)   | 0.016 ( .4)    |
| 110         | 500            | CD15FD111JO3F          | 0.46 (11.7)    | 0.37 ( 9.4)    | 0.18 (4.6)     | 0.234 ( 5.9)   | 0.025 ( .6)    |
| 110         | 1000           | CDV19FF111JO3F         | 0.64 (16.3)    | 0.50 (12.7)    | 0.19 (4.8)     | 0.344 ( 8.7)   | 0.032 ( .8)    |
| 110         | 1500           | CDV30FH111JO3F         | 0.77 (19.6)    | 0.85 (21.6)    | 0.25 (6.4)     | 0.438 (11.1)   | 0.040 (1.0)    |
| 110         | 2,000          | CDV30FJ111JO3F         | 0.77 (19.6)    | 0.86 (21.8)    | 0.25 (6.4)     | 0.438 (11.1)   | 0.040 (1.0)    |
| 110         | 2,500          | CDV30FK111JO3F         | 0.78 (19.8)    | 0.86 (21.8)    | 0.25 (6.4)     | 0.438 (11.1)   | 0.040 (1.0)    |
| 120         | 500            | CD10FD121JO3F          | 0.38 ( 9.7)    | 0.35 ( 8.9)    | 0.20 (5.1)     | 0.141 ( 3.6)   | 0.016 ( .4)    |
| 120         | 500            | CD15FD121JO3F          | 0.46 (11.7)    | 0.37 ( 9.4)    | 0.18 (4.6)     | 0.234 ( 5.9)   | 0.025 ( .6)    |
| 120         | 500            | CD19FD121JO3F          | 0.64 (16.3)    | 0.50 (12.7)    | 0.19 (4.8)     | 0.344 ( 8.7)   | 0.032 ( .8)    |
| 120         | 1000           | CDV19FF121JO3F         | 0.64 (16.3)    | 0.50 (12.7)    | 0.19 (4.8)     | 0.344 ( 8.7)   | 0.032 ( .8)    |
| 120         | 1,500          | CDV30FH121JO3F         | 0.77 (19.6)    | 0.85 (21.6)    | 0.25 (6.4)     | 0.438 (11.1)   | 0.040 (1.0)    |
| 120         | 2,000          | CDV30FJ121JO3F         | 0.77 (19.6)    | 0.86 (21.8)    | 0.25 (6.4)     | 0.438 (11.1)   | 0.040 (1.0)    |
| 120         | 2,500          | CDV30FK121JO3F         | 0.78 (19.8)    | 0.86 (21.8)    | 0.25 (6.4)     | 0.438 (11.1)   | 0.040 (1.0)    |
| 130         | 500            | CD10FD131JO3F          | 0.38 ( 9.7)    | 0.36 ( 9.1)    | 0.20 (5.1)     | 0.141 ( 3.6)   | 0.016 ( .4)    |
| 130         | 500            | CD15FD131JO3F          | 0.46 (11.7)    | 0.37 ( 9.4)    | 0.18 (4.6)     | 0.234 ( 5.9)   | 0.025 ( .6)    |
| 130         | 1000           | CDV19FF131JO3F         | 0.64 (16.3)    | 0.50 (12.7)    | 0.19 (4.8)     | 0.344 ( 8.7)   | 0.032 ( .8)    |
| 130         | 1,500          | CDV30FH131JO3F         | 0.77 (19.6)    | 0.85 (21.6)    | 0.25 (6.4)     | 0.438 (11.1)   | 0.040 (1.0)    |
| 130         | 2,000          | CDV30FJ131JO3F         | 0.77 (19.6)    | 0.86 (21.8)    | 0.25 (6.4)     | 0.438 (11.1)   | 0.040 (1.0)    |
| 150         | 500            | CD10FD151JO3F          | 0.38 ( 9.7)    | 0.36 ( 9.1)    | 0.21 (5.3)     | 0.141 ( 3.6)   | 0.016 ( .4)    |
| 150         | 500            | CD15FD151JO3F          | 0.46 (11.7)    | 0.37 ( 9.4)    | 0.19 (4.8)     | 0.234 ( 5.9)   | 0.025 ( .6)    |
| 150         | 500            | CD19FD151JO3F          | 0.64 (16.3)    | 0.50 (12.7)    | 0.19 (4.8)     | 0.344 ( 8.7)   | 0.032 ( .8)    |
| 150         | 1000           | CDV19FF151JO3F         | 0.64 (16.3)    | 0.50 (12.7)    | 0.19 (4.8)     | 0.344 ( 8.7)   | 0.032 ( .8)    |
| 150         | 1,500          | CDV30FH151JO3F         | 0.77 (19.6)    | 0.85 (21.6)    | 0.25 (6.4)     | 0.438 (11.1)   | 0.040 (1.0)    |
| 150         | 2,000          | CDV30FJ151JO3F         | 0.77 (19.6)    | 0.86 (21.8)    | 0.25 (6.4)     | 0.438 (11.1)   | 0.040 (1.0)    |
| 160         | 500            | CD10FD161JO3F          | 0.38 ( 9.7)    | 0.36 ( 9.1)    | 0.21 (5.3)     | 0.141 ( 3.6)   | 0.016 ( .4)    |
| 160         | 500            | CD15FD161JO3F          | 0.46 (11.7)    | 0.37 ( 9.4)    | 0.19 (4.8)     | 0.234 ( 5.9)   | 0.025 ( .6)    |
| 160         | 1000           | CDV19FF161JO3F         | 0.64 (16.3)    | 0.50 (12.7)    | 0.19 (4.8)     | 0.344 ( 8.7)   | 0.032 ( .8)    |
| 160         | 1500           | CDV30FH161JO3F         | 0.77 (19.6)    | 0.85 (21.6)    | 0.25 (6.4)     | 0.438 (11.1)   | 0.040 (1.0)    |
| 160         | 2,000          | CDV30FJ161JO3F         | 0.77 (19.6)    | 0.86 (21.8)    | 0.25 (6.4)     | 0.438 (11.1)   | 0.040 (1.0)    |
| 180         | 500            | CD10FD181JO3F          | 0.39 ( 9.9)    | 0.37 ( 9.4)    | 0.21 (5.3)     | 0.141 ( 3.6)   | 0.016 ( .4)    |
| 180         | 500            | CD15FD181JO3F          | 0.46 (11.7)    | 0.37 ( 9.4)    | 0.19 (4.8)     | 0.234 ( 5.9)   | 0.025 ( .6)    |
| 180         | 500            | CD19FD181JO3F          | 0.64 (16.3)    | 0.50 (12.7)    | 0.19 (4.8)     | 0.344 ( 8.7)   | 0.032 ( .8)    |
| 180         | 1000           | CDV19FF181JO3F         | 0.64 (16.3)    | 0.50 (12.7)    | 0.19 (4.8)     | 0.344 ( 8.7)   | 0.032 ( .8)    |
| 180         | 1,500          | CDV30FH181JO3F         | 0.77 (19.6)    | 0.85 (21.6)    | 0.25 (6.4)     | 0.438 (11.1)   | 0.040 (1.0)    |
| 180         | 2,000          | CDV30FJ181JO3F         | 0.77 (19.6)    | 0.86 (21.8)    | 0.25 (6.4)     | 0.438 (11.1)   | 0.040 (1.0)    |
| 200         | 500            | CD10FD201JO3F          | 0.39 ( 9.9)    | 0.37 ( 9.4)    | 0.21 (5.3)     | 0.141 ( 3.6)   | 0.016 ( .4)    |
| 200         | 500            | CD15FD201JO3F          | 0.46 (11.7)    | 0.38 ( 9.7)    | 0.19 (4.8)     | 0.234 ( 5.9)   | 0.025 ( .6)    |
| 200         | 1000           | CDV19FF201JO3F         | 0.64 (16.3)    | 0.50 (12.7)    | 0.19 (4.8)     | 0.344 ( 8.7)   | 0.032 ( .8)    |
| 200         | 1500           | CDV30FH201JO3F         | 0.77 (19.6)    | 0.85 (21.6)    | 0.25 (6.4)     | 0.438 (11.1)   | 0.040 (1.0)    |

# Mica Capacitors, Standard Dipped

Types CD10, D10, CD15, CD19, CD30, CD42, CDV19, CDV30

| Cap<br>(pF) | Volts<br>(Vdc) | Catalog<br>Part Number | L<br>(in) (mm) | H<br>(in) (mm) | T<br>(in) (mm) | S<br>(in) (mm) | d<br>(in) (mm) |
|-------------|----------------|------------------------|----------------|----------------|----------------|----------------|----------------|
| 200         | 2000           | CDV30FJ201JO3F         | 0.77 (19.6)    | 0.86 (21.8)    | 0.25 (6.4)     | 0.438 (11.1)   | 0.040 (1.0)    |
| 220         | 500            | CD10FD221JO3F          | 0.39 (9.9)     | 0.38 (9.7)     | 0.22 (5.6)     | 0.141 (3.6)    | 0.016 (.4)     |
| 220         | 500            | CD15FD221JO3F          | 0.46 (11.7)    | 0.38 (9.7)     | 0.20 (5.1)     | 0.234 (5.9)    | 0.025 (.6)     |
| 220         | 500            | CD19FD221JO3F          | 0.64 (16.3)    | 0.50 (12.7)    | 0.19 (4.8)     | 0.344 (8.7)    | 0.032 (.8)     |
| 220         | 1000           | CDV19FF221JO3F         | 0.64 (16.3)    | 0.50 (12.7)    | 0.19 (4.8)     | 0.344 (8.7)    | 0.032 (.8)     |
| 220         | 1500           | CDV30FH221JO3F         | 0.77 (19.6)    | 0.85 (21.6)    | 0.25 (6.4)     | 0.438 (11.1)   | 0.040 (1.0)    |
| 220         | 2000           | CDV30FJ221JO3F         | 0.77 (19.6)    | 0.86 (21.8)    | 0.25 (6.4)     | 0.438 (11.1)   | 0.040 (1.0)    |
| 240         | 500            | CD10FD241JO3F          | 0.39 (9.9)     | 0.38 (9.7)     | 0.22 (5.6)     | 0.141 (3.6)    | 0.016 (.4)     |
| 240         | 500            | CD10FD241JO3F          | 0.39 (9.9)     | 0.38 (9.7)     | 0.22 (5.6)     | 0.141 (3.6)    | 0.016 (.4)     |
| 240         | 500            | CD15FD241JO3F          | 0.46 (11.7)    | 0.38 (9.7)     | 0.20 (5.1)     | 0.234 (5.9)    | 0.025 (.6)     |
| 240         | 500            | CD19FD241JO3F          | 0.64 (16.3)    | 0.50 (12.7)    | 0.19 (4.8)     | 0.344 (8.7)    | 0.032 (.8)     |
| 240         | 1000           | CDV19FF241JO3F         | 0.64 (16.3)    | 0.50 (12.7)    | 0.19 (4.8)     | 0.344 (8.7)    | 0.032 (.8)     |
| 240         | 1,500          | CDV30FH241JO3F         | 0.77 (19.6)    | 0.85 (21.6)    | 0.25 (6.4)     | 0.438 (11.1)   | 0.040 (1.0)    |
| 240         | 2000           | CDV30FJ241JO3F         | 0.77 (19.6)    | 0.86 (21.8)    | 0.25 (6.4)     | 0.438 (11.1)   | 0.040 (1.0)    |
| 250         | 500            | CD10FD251JO3F          | 0.39 (9.9)     | 0.38 (9.7)     | 0.22 (5.6)     | 0.141 (3.6)    | 0.016 (.4)     |
| 250         | 500            | CD15FD251JO3F          | 0.47 (11.9)    | 0.39 (9.9)     | 0.21 (5.3)     | 0.234 (5.9)    | 0.025 (.6)     |
| 250         | 500            | CD19FD251JO3F          | 0.64 (16.3)    | 0.50 (12.7)    | 0.19 (4.8)     | 0.344 (8.7)    | 0.032 (.8)     |
| 270         | 300            | CD10FC271JO3F          | 0.39 (9.9)     | 0.38 (9.7)     | 0.22 (5.6)     | 0.141 (3.6)    | 0.016 (.4)     |
| 270         | 500            | CD19FD271JO3F          | 0.64 (16.3)    | 0.50 (12.7)    | 0.19 (4.8)     | 0.344 (8.7)    | 0.032 (.8)     |
| 270         | 500            | D105F271JO3F           | 0.39 (9.9)     | 0.38 (9.7)     | 0.22 (5.6)     | 0.141 (3.6)    | 0.016 (.4)     |
| 270         | 500            | CD15FD271JO3F          | 0.47 (11.9)    | 0.39 (9.9)     | 0.21 (5.3)     | 0.234 (5.9)    | 0.025 (.6)     |
| 270         | 1,000          | CDV19FF271JO3F         | 0.64 (16.3)    | 0.50 (12.7)    | 0.19 (4.8)     | 0.344 (8.7)    | 0.032 (.8)     |
| 270         | 1500           | CDV30FH271JO3F         | 0.77 (19.6)    | 0.85 (21.6)    | 0.25 (6.4)     | 0.438 (11.1)   | 0.040 (1.0)    |
| 270         | 2000           | CDV30FJ271JO3F         | 0.77 (19.6)    | 0.86 (21.8)    | 0.25 (6.4)     | 0.438 (11.1)   | 0.040 (1.0)    |
| 300         | 300            | CD10FC301JO3F          | 0.39 (9.9)     | 0.38 (9.7)     | 0.22 (5.6)     | 0.141 (3.6)    | 0.016 (.4)     |
| 300         | 500            | D105F301JO3F           | 0.39 (9.9)     | 0.38 (9.7)     | 0.22 (5.6)     | 0.141 (3.6)    | 0.016 (.4)     |
| 300         | 500            | CD15FD301JO3F          | 0.47 (11.9)    | 0.39 (9.9)     | 0.21 (5.3)     | 0.234 (5.9)    | 0.025 (.6)     |
| 300         | 500            | CD19FD301JO3F          | 0.64 (16.3)    | 0.50 (12.7)    | 0.19 (4.8)     | 0.344 (8.7)    | 0.032 (.8)     |
| 300         | 2000           | CDV30FJ301JO3F         | 0.77 (19.6)    | 0.86 (21.8)    | 0.25 (6.4)     | 0.438 (11.1)   | 0.040 (1.0)    |
| 330         | 100            | CD10FA331JO3F          | 0.39 (9.9)     | 0.37 (9.4)     | 0.22 (5.6)     | 0.141 (3.6)    | 0.016 (.4)     |
| 330         | 500            | D105F331JO3F           | 0.39 (9.9)     | 0.38 (9.7)     | 0.22 (5.6)     | 0.141 (3.6)    | 0.016 (.4)     |
| 330         | 500            | CD15FD331JO3F          | 0.47 (11.9)    | 0.39 (9.9)     | 0.21 (5.3)     | 0.234 (5.9)    | 0.025 (.6)     |
| 330         | 500            | CD19FD331JO3F          | 0.64 (16.3)    | 0.50 (12.7)    | 0.19 (4.8)     | 0.344 (8.7)    | 0.032 (.8)     |
| 330         | 2000           | CDV30FJ331JO3F         | 0.77 (19.6)    | 0.86 (21.8)    | 0.25 (6.4)     | 0.438 (11.1)   | 0.040 (1.0)    |
| 330         | 2,500          | CDV30FK331JO3F         | 0.78 (19.8)    | 0.87 (22.1)    | 0.25 (6.4)     | 0.438 (11.1)   | 0.040 (1.0)    |
| 360         | 100            | CD10FA361JO3F          | 0.39 (9.9)     | 0.38 (9.7)     | 0.22 (5.6)     | 0.141 (3.6)    | 0.016 (.4)     |
| 360         | 500            | D105F361JO3F           | 0.39 (9.9)     | 0.38 (9.7)     | 0.22 (5.6)     | 0.141 (3.6)    | 0.016 (.4)     |
| 360         | 500            | CD15FD361JO3F          | 0.47 (11.9)    | 0.39 (9.9)     | 0.21 (5.3)     | 0.234 (5.9)    | 0.025 (.6)     |
| 360         | 500            | CD19FD361JO3F          | 0.64 (16.3)    | 0.51 (13.0)    | 0.20 (5.1)     | 0.344 (8.7)    | 0.032 (.8)     |
| 390         | 100            | CD10FA391JO3F          | 0.39 (9.9)     | 0.38 (9.7)     | 0.22 (5.6)     | 0.141 (3.6)    | 0.016 (.4)     |
| 390         | 500            | D105F391JO3F           | 0.39 (9.9)     | 0.38 (9.7)     | 0.22 (5.6)     | 0.141 (3.6)    | 0.016 (.4)     |
| 390         | 500            | CD15FD391JO3F          | 0.47 (11.9)    | 0.39 (9.9)     | 0.21 (5.3)     | 0.234 (5.9)    | 0.025 (.6)     |
| 390         | 500            | CD19FD391JO3F          | 0.64 (16.3)    | 0.51 (13.0)    | 0.20 (5.1)     | 0.344 (8.7)    | 0.032 (.8)     |

# Mica Capacitors, Standard Dipped

Types CD10, D10, CD15, CD19, CD30, CD42, CDV19, CDV30

| Cap<br>(pF) | Volts<br>(Vdc) | Catalog<br>Part Number | L<br>(in) (mm) | H<br>(in) (mm) | T<br>(in) (mm) | S<br>(in) (mm) | d<br>(in) (mm) |
|-------------|----------------|------------------------|----------------|----------------|----------------|----------------|----------------|
| 390         | 1000           | CDV19FF391JO3F         | 0.65 (16.5)    | 0.51 (13.0)    | 0.20 (5.1)     | 0.344 (8.7)    | 0.032 (.8)     |
| 390         | 1500           | CDV30FH391JO3F         | 0.77 (19.6)    | 0.85 (21.6)    | 0.25 (6.4)     | 0.438 (11.1)   | 0.040 (1.0)    |
| 400         | 100            | CD10FA401JO3F          | 0.39 (9.9)     | 0.38 (9.7)     | 0.22 (5.6)     | 0.141 (3.6)    | 0.016 (.4)     |
| 430         | 500            | D105F431JO3F           | 0.39 (9.9)     | 0.38 (9.7)     | 0.22 (5.6)     | 0.141 (3.6)    | 0.016 (.4)     |
| 430         | 500            | CD15FD431JO3F          | 0.47 (11.9)    | 0.39 (9.9)     | 0.21 (5.3)     | 0.234 (5.9)    | 0.025 (.6)     |
| 430         | 500            | CD19FD431JO3F          | 0.64 (16.3)    | 0.51 (13.0)    | 0.20 (5.1)     | 0.344 (8.7)    | 0.032 (.8)     |
| 430         | 1500           | CDV30FH431JO3F         | 0.77 (19.6)    | 0.85 (21.6)    | 0.25 (6.4)     | 0.438 (11.1)   | 0.040 (1.0)    |
| 470         | 500            | D105F471JO3F           | 0.39 (9.9)     | 0.38 (9.7)     | 0.22 (5.6)     | 0.141 (3.6)    | 0.016 (.4)     |
| 470         | 500            | CD15FD471JO3F          | 0.47 (11.9)    | 0.40 (10.2)    | 0.22 (5.6)     | 0.234 (5.9)    | 0.025 (.6)     |
| 470         | 500            | CD19FD471JO3F          | 0.64 (16.3)    | 0.51 (13.0)    | 0.20 (5.1)     | 0.344 (8.7)    | 0.032 (.8)     |
| 470         | 1500           | CDV30FH471JO3F         | 0.77 (19.6)    | 0.85 (21.6)    | 0.25 (6.4)     | 0.438 (11.1)   | 0.040 (1.0)    |
| 470         | 2000           | CDV30FJ471JO3F         | 0.77 (19.6)    | 0.87 (22.1)    | 0.26 (6.6)     | 0.438 (11.1)   | 0.040 (1.0)    |
| 470         | 2,500          | CDV30FK471JO3F         | 0.78 (19.8)    | 0.87 (22.1)    | 0.27 (6.9)     | 0.438 (11.1)   | 0.040 (1.0)    |
| 500         | 500            | D105F501JO3F           | 0.39 (9.9)     | 0.38 (9.7)     | 0.22 (5.6)     | 0.141 (3.6)    | 0.016 (.4)     |
| 500         | 500            | CD15FD501JO3F          | 0.47 (11.9)    | 0.40 (10.2)    | 0.22 (5.6)     | 0.234 (5.9)    | 0.025 (.6)     |
| 500         | 500            | CD19FD501JO3F          | 0.64 (16.3)    | 0.51 (13.0)    | 0.20 (5.1)     | 0.344 (8.7)    | 0.032 (.8)     |
| 500         | 1500           | CDV30FH501JO3F         | 0.77 (19.6)    | 0.85 (21.6)    | 0.25 (6.4)     | 0.438 (11.1)   | 0.040 (1.0)    |
| 500         | 2000           | CDV30FJ501JO3F         | 0.77 (19.6)    | 0.87 (22.1)    | 0.26 (6.6)     | 0.438 (11.1)   | 0.040 (1.0)    |
| 500         | 2,500          | CDV30FK501JO3F         | 0.78 (19.8)    | 0.87 (22.1)    | 0.27 (6.9)     | 0.438 (11.1)   | 0.040 (1.0)    |
| 510         | 500            | D105F511JO3F           | 0.39 (9.9)     | 0.38 (9.7)     | 0.22 (5.6)     | 0.141 (3.6)    | 0.016 (.4)     |
| 510         | 500            | CD15FD511JO3F          | 0.47 (11.9)    | 0.40 (10.2)    | 0.22 (5.6)     | 0.234 (5.9)    | 0.025 (.6)     |
| 510         | 500            | CD19FD511JO3F          | 0.65 (16.5)    | 0.51 (13.0)    | 0.20 (5.1)     | 0.344 (8.7)    | 0.032 (.8)     |
| 510         | 1500           | CDV30FH511JO3F         | 0.77 (19.6)    | 0.85 (21.6)    | 0.25 (6.4)     | 0.438 (11.1)   | 0.040 (1.0)    |
| 510         | 2000           | CDV30FJ511JO3F         | 0.77 (19.6)    | 0.87 (22.1)    | 0.26 (6.6)     | 0.438 (11.1)   | 0.040 (1.0)    |
| 510         | 2,500          | CDV30FK511JO3F         | 0.78 (19.8)    | 0.87 (22.1)    | 0.27 (6.9)     | 0.438 (11.1)   | 0.040 (1.0)    |
| 560         | 300            | D103F561JO3F           | 0.39 (9.9)     | 0.38 (9.7)     | 0.22 (5.6)     | 0.141 (3.6)    | 0.016 (.4)     |
| 560         | 300            | CD15FC561JO3F          | 0.46 (11.7)    | 0.38 (9.7)     | 0.21 (5.3)     | 0.234 (5.9)    | 0.025 (.6)     |
| 560         | 500            | CD19FD561JO3F          | 0.65 (16.5)    | 0.51 (13.0)    | 0.20 (5.1)     | 0.344 (8.7)    | 0.032 (.8)     |
| 560         | 1000           | CDV19FF561JO3F         | 0.65 (16.5)    | 0.51 (13.0)    | 0.21 (5.3)     | 0.344 (8.7)    | 0.032 (.8)     |
| 560         | 1500           | CDV30FH561JO3F         | 0.77 (19.6)    | 0.85 (21.6)    | 0.25 (6.4)     | 0.438 (11.1)   | 0.040 (1.0)    |
| 560         | 2000           | CDV30FJ561JO3F         | 0.77 (19.6)    | 0.87 (22.1)    | 0.26 (6.6)     | 0.438 (11.1)   | 0.040 (1.0)    |
| 560         | 2500           | CDV30FK561JO3F         | 0.78 (19.8)    | 0.87 (22.1)    | 0.27 (6.9)     | 0.438 (11.1)   | 0.040 (1.0)    |
| 620         | 300            | D103F621JO3F           | 0.39 (9.9)     | 0.38 (9.7)     | 0.22 (5.6)     | 0.141 (3.6)    | 0.016 (.4)     |
| 620         | 300            | CD15FC621JO3F          | 0.46 (11.7)    | 0.38 (9.7)     | 0.21 (5.3)     | 0.234 (5.9)    | 0.025 (.6)     |
| 620         | 500            | CD19FD621JO3F          | 0.65 (16.5)    | 0.51 (13.0)    | 0.20 (5.1)     | 0.344 (8.7)    | 0.032 (.8)     |
| 620         | 1500           | CDV30FH621JO3F         | 0.77 (19.6)    | 0.85 (21.6)    | 0.25 (6.4)     | 0.438 (11.1)   | 0.040 (1.0)    |
| 620         | 2000           | CDV30FJ621JO3F         | 0.77 (19.6)    | 0.87 (22.1)    | 0.26 (6.6)     | 0.438 (11.1)   | 0.040 (1.0)    |
| 620         | 2,500          | CDV30FK621JO3F         | 0.78 (19.8)    | 0.87 (22.1)    | 0.27 (6.9)     | 0.438 (11.1)   | 0.040 (1.0)    |
| 680         | 300            | D103F681JO3F           | 0.39 (9.9)     | 0.38 (9.7)     | 0.22 (5.6)     | 0.141 (3.6)    | 0.016 (.4)     |
| 680         | 300            | CD15FC681JO3F          | 0.47 (11.9)    | 0.39 (9.9)     | 0.21 (5.3)     | 0.234 (5.9)    | 0.025 (.6)     |
| 680         | 500            | CD19FD681JO3F          | 0.65 (16.5)    | 0.51 (13.0)    | 0.21 (5.3)     | 0.344 (8.7)    | 0.032 (.8)     |
| 680         | 1000           | CDV19FF681JO3F         | 0.66 (16.8)    | 0.52 (13.2)    | 0.22 (5.6)     | 0.344 (8.7)    | 0.032 (.8)     |
| 680         | 1500           | CDV30FH681JO3F         | 0.77 (19.6)    | 0.85 (21.6)    | 0.25 (6.4)     | 0.438 (11.1)   | 0.040 (1.0)    |

# Mica Capacitors, Standard Dipped

Types CD10, D10, CD15, CD19, CD30, CD42, CDV19, CDV30

| Cap<br>(pF) | Volts<br>(Vdc) | Catalog<br>Part Number | L<br>(in) (mm) | H<br>(in) (mm) | T<br>(in) (mm) | S<br>(in) (mm) | d<br>(in) (mm) |
|-------------|----------------|------------------------|----------------|----------------|----------------|----------------|----------------|
| 680         | 2000           | CDV30FJ681JO3F         | 0.77 (19.6)    | 0.87 (22.1)    | 0.26 (6.6)     | 0.438 (11.1)   | 0.040 (1.0)    |
| 680         | 2500           | CDV30FK681JO3F         | 0.78 (19.8)    | 0.87 (22.1)    | 0.27 (6.9)     | 0.438 (11.1)   | 0.040 (1.0)    |
| 750         | 300            | D1O3F751JO3F           | 0.39 (9.9)     | 0.38 (9.7)     | 0.22 (5.6)     | 0.141 (3.6)    | 0.016 (.4)     |
| 750         | 300            | CD15FC751JO3F          | 0.47 (11.9)    | 0.39 (9.9)     | 0.21 (5.3)     | 0.234 (5.9)    | 0.025 (.6)     |
| 750         | 500            | CD19FD751JO3F          | 0.65 (16.5)    | 0.51 (13.0)    | 0.21 (5.3)     | 0.344 (8.7)    | 0.032 (.8)     |
| 750         | 1500           | CDV30FH751JO3F         | 0.77 (19.6)    | 0.85 (21.6)    | 0.25 (6.4)     | 0.438 (11.1)   | 0.040 (1.0)    |
| 750         | 2000           | CDV30FJ751JO3F         | 0.77 (19.6)    | 0.87 (22.1)    | 0.26 (6.6)     | 0.438 (11.1)   | 0.040 (1.0)    |
| 750         | 2500           | CDV30FK751JO3F         | 0.78 (19.8)    | 0.87 (22.1)    | 0.27 (6.9)     | 0.438 (11.1)   | 0.040 (1.0)    |
| 820         | 300            | D1O3F821JO3F           | 0.39 (9.9)     | 0.38 (9.7)     | 0.22 (5.6)     | 0.141 (3.6)    | 0.016 (.4)     |
| 820         | 300            | CD15FC821JO3F          | 0.47 (11.9)    | 0.39 (9.9)     | 0.21 (5.3)     | 0.234 (5.9)    | 0.025 (.6)     |
| 820         | 500            | CD19FD821JO3F          | 0.65 (16.5)    | 0.51 (13.0)    | 0.21 (5.3)     | 0.344 (8.7)    | 0.032 (.8)     |
| 820         | 1000           | CDV19FF821JO3F         | 0.66 (16.8)    | 0.53 (13.5)    | 0.23 (5.8)     | 0.344 (8.7)    | 0.032 (.8)     |
| 820         | 1,500          | CDV30FH821JO3F         | 0.77 (19.6)    | 0.85 (21.6)    | 0.25 (6.4)     | 0.438 (11.1)   | 0.040 (1.0)    |
| 820         | 2000           | CDV30FJ821JO3F         | 0.77 (19.6)    | 0.87 (22.1)    | 0.26 (6.6)     | 0.438 (11.1)   | 0.040 (1.0)    |
| 820         | 2500           | CDV30FK821JO3F         | 0.78 (19.8)    | 0.87 (22.1)    | 0.27 (6.9)     | 0.438 (11.1)   | 0.040 (1.0)    |
| 910         | 100            | D101F911JO3F           | 0.39 (9.9)     | 0.38 (9.7)     | 0.22 (5.6)     | 0.141 (3.6)    | 0.016 (.4)     |
| 910         | 100            | CD15FA911JO3F          | 0.47 (11.9)    | 0.40 (10.2)    | 0.22 (5.6)     | 0.234 (5.9)    | 0.025 (.6)     |
| 910         | 500            | CD19FD911JO3F          | 0.65 (16.5)    | 0.51 (13.0)    | 0.21 (5.3)     | 0.344 (8.7)    | 0.032 (.8)     |
| 910         | 1,000          | CDV19FF911JO3F         | 0.67 (17.0)    | 0.53 (13.5)    | 0.24 (6.1)     | 0.344 (8.7)    | 0.032 (.8)     |
| 910         | 1500           | CDV30FH911JO3F         | 0.77 (19.6)    | 0.85 (21.6)    | 0.25 (6.4)     | 0.438 (11.1)   | 0.040 (1.0)    |
| 910         | 2000           | CDV30FJ911JO3F         | 0.78 (19.8)    | 0.88 (22.4)    | 0.28 (7.1)     | 0.438 (11.1)   | 0.040 (1.0)    |
| 910         | 2,500          | CDV30FK911JO3F         | 0.78 (19.8)    | 0.87 (22.1)    | 0.29 (7.4)     | 0.438 (11.1)   | 0.040 (1.0)    |
| 1000        | 100            | D101F102JO3F           | 0.39 (9.9)     | 0.38 (9.7)     | 0.22 (5.6)     | 0.141 (3.6)    | 0.016 (.4)     |
| 1000        | 100            | CD15FA102JO3F          | 0.48 (12.2)    | 0.40 (10.2)    | 0.23 (5.8)     | 0.234 (5.9)    | 0.025 (.6)     |
| 1000        | 500            | CD19FD102JO3F          | 0.65 (16.5)    | 0.52 (13.2)    | 0.22 (5.6)     | 0.344 (8.7)    | 0.032 (.8)     |
| 1000        | 1000           | CDV19FF102JO3F         | 0.67 (17.0)    | 0.53 (13.5)    | 0.25 (6.4)     | 0.344 (9.7)    | 0.032 (.8)     |
| 1000        | 1500           | CDV30FH102JO3F         | 0.77 (19.6)    | 0.86 (21.8)    | 0.26 (6.6)     | 0.438 (11.1)   | 0.040 (1.0)    |
| 1000        | 2000           | CDV30FJ102JO3F         | 0.78 (19.8)    | 0.88 (22.4)    | 0.28 (7.1)     | 0.438 (11.1)   | 0.040 (1.0)    |
| 1000        | 2500           | CDV30FK102JO3F         | 0.79 (20.1)    | 0.88 (22.4)    | 0.31 (7.9)     | 0.438 (11.1)   | 0.040 (1.0)    |
| 1100        | 100            | D101F112JO3F           | 0.39 (9.9)     | 0.38 (9.7)     | 0.22 (5.6)     | 0.141 (3.6)    | 0.016 (.4)     |
| 1100        | 100            | CD15FA112JO3F          | 0.49 (12.4)    | 0.42 (10.7)    | 0.24 (6.1)     | 0.234 (5.9)    | 0.025 (.6)     |
| 1100        | 500            | CD19FD112JO3F          | 0.65 (16.5)    | 0.52 (13.2)    | 0.22 (5.6)     | 0.344 (8.7)    | 0.032 (.8)     |
| 1100        | 1000           | CDV19FF112JO3F         | 0.67 (17.0)    | 0.53 (13.5)    | 0.25 (6.4)     | 0.344 (8.7)    | 0.032 (.8)     |
| 1100        | 1500           | CDV30FH112JO3F         | 0.77 (19.6)    | 0.86 (21.8)    | 0.26 (6.6)     | 0.438 (11.1)   | 0.040 (1.0)    |
| 1200        | 100            | D101F122JO3F           | 0.39 (9.9)     | 0.38 (9.7)     | 0.22 (5.6)     | 0.141 (3.6)    | 0.016 (.4)     |
| 1200        | 100            | CD15FA122JO3F          | 0.49 (12.4)    | 0.42 (10.7)    | 0.24 (6.1)     | 0.234 (5.9)    | 0.025 (.6)     |
| 1200        | 500            | CD19FD122JO3F          | 0.66 (16.8)    | 0.52 (13.2)    | 0.22 (5.6)     | 0.344 (8.7)    | 0.032 (.8)     |
| 1200        | 1,500          | CDV30FH122JO3F         | 0.77 (19.6)    | 0.86 (21.8)    | 0.26 (6.6)     | 0.438 (11.1)   | 0.040 (1.0)    |
| 1200        | 2000           | CDV30FJ122JO3F         | 0.78 (19.8)    | 0.88 (22.4)    | 0.28 (7.1)     | 0.438 (11.1)   | 0.040 (1.0)    |
| 1200        | 2500           | CDV30FK122JO3F         | 0.79 (20.1)    | 0.88 (22.4)    | 0.31 (7.9)     | 0.438 (11.1)   | 0.040 (1.0)    |
| 1300        | 100            | D101F132JO3F           | 0.39 (9.9)     | 0.38 (9.7)     | 0.22 (5.6)     | 0.141 (3.6)    | 0.016 (.4)     |
| 1300        | 500            | CD19FD132JO3F          | 0.66 (16.8)    | 0.52 (13.2)    | 0.22 (5.6)     | 0.344 (8.7)    | 0.032 (.8)     |
| 1300        | 1000           | CDV19FF132JO3F         | 0.67 (17.0)    | 0.54 (13.7)    | 0.26 (6.6)     | 0.344 (8.7)    | 0.032 (.8)     |



# Mica Capacitors, Standard Dipped

## Types CD10, D10, CD15, CD19, CD30, CD42, CDV19, CDV30

| Cap<br>(pF) | Volts<br>(Vdc) | Catalog<br>Part Number | L<br>(in) (mm) | H<br>(in) (mm) | T<br>(in) (mm) | S<br>(in) (mm) | d<br>(in) (mm) |
|-------------|----------------|------------------------|----------------|----------------|----------------|----------------|----------------|
| 1300        | 1500           | CDV30FH132JO3F         | 0.78 (19.8)    | 0.87 (22.1)    | 0.27 (6.9)     | 0.438 (11.1)   | 0.040 (1.0)    |
| 1300        | 2000           | CDV30FJ132JO3F         | 0.78 (19.8)    | 0.88 (22.4)    | 0.30 (7.6)     | 0.438 (11.1)   | 0.040 (1.0)    |
| 1300        | 2500           | CDV30FK132JO3F         | 0.80 (20.3)    | 0.89 (22.6)    | 0.33 (8.4)     | 0.438 (11.1)   | 0.040 (1.0)    |
| 1500        | 100            | D101F152JO3F           | 0.39 (9.9)     | 0.38 (9.7)     | 0.22 (5.6)     | 0.141 (3.6)    | 0.016 (.4)     |
| 1500        | 100            | CD15FA152JO3F          | 0.50 (12.7)    | 0.43 (10.9)    | 0.25 (6.4)     | 0.234 (5.9)    | 0.025 (.6)     |
| 1500        | 500            | CD19FD152JO3F          | 0.66 (16.8)    | 0.52 (13.2)    | 0.23 (5.8)     | 0.344 (8.7)    | 0.032 (.8)     |
| 1500        | 1000           | CDV19FF152JO3F         | 0.68 (17.3)    | 0.54 (13.7)    | 0.27 (6.9)     | 0.344 (8.7)    | 0.032 (.8)     |
| 1500        | 1500           | CDV30FH152JO3F         | 0.78 (19.8)    | 0.87 (22.1)    | 0.28 (7.1)     | 0.438 (11.1)   | 0.040 (1.0)    |
| 1500        | 2000           | CDV30FJ152JO3F         | 0.79 (20.1)    | 0.89 (22.6)    | 0.32 (8.1)     | 0.438 (11.1)   | 0.040 (1.0)    |
| 1500        | 2,500          | CDV30FK152JO3F         | 0.80 (20.3)    | 0.89 (22.6)    | 0.35 (8.9)     | 0.438 (11.1)   | 0.040 (1.0)    |
| 1600        | 500            | CD19FD162JO3F          | 0.66 (16.8)    | 0.53 (13.5)    | 0.23 (5.8)     | 0.344 (8.7)    | 0.032 (.8)     |
| 1600        | 1000           | CDV19FF162JO3F         | 0.68 (17.3)    | 0.55 (14.0)    | 0.28 (7.1)     | 0.344 (8.7)    | 0.032 (.8)     |
| 1600        | 1,500          | CDV30FH162JO3F         | 0.78 (19.8)    | 0.87 (22.1)    | 0.28 (7.1)     | 0.438 (11.1)   | 0.040 (1.0)    |
| 1600        | 2000           | CDV30FJ162JO3F         | 0.79 (20.1)    | 0.89 (22.6)    | 0.32 (8.1)     | 0.438 (11.1)   | 0.040 (1.0)    |
| 1600        | 2500           | CDV30FK162JO3F         | 0.80 (20.3)    | 0.89 (22.6)    | 0.35 (8.9)     | 0.438 (11.1)   | 0.040 (1.0)    |
| 1800        | 500            | CD19FD182JO3F          | 0.67 (17.0)    | 0.53 (13.5)    | 0.24 (6.1)     | 0.344 (8.7)    | 0.032 (.8)     |
| 1800        | 1000           | CDV19FF182JO3F         | 0.68 (17.3)    | 0.55 (14.0)    | 0.29 (7.4)     | 0.344 (8.7)    | 0.032 (.8)     |
| 1800        | 1500           | CDV30FH182JO3F         | 0.78 (19.8)    | 0.87 (22.1)    | 0.29 (7.4)     | 0.438 (11.1)   | 0.040 (1.0)    |
| 1800        | 2,000          | CDV30FJ182JO3F         | 0.79 (20.1)    | 0.89 (22.6)    | 0.34 (8.6)     | 0.438 (11.1)   | 0.040 (1.0)    |
| 1800        | 2500           | CDV30FK182JO3F         | 0.81 (20.6)    | 0.90 (22.9)    | 0.37 (9.4)     | 0.438 (11.1)   | 0.040 (1.0)    |
| 2000        | 500            | CD19FD202JO3F          | 0.67 (17.0)    | 0.53 (13.5)    | 0.24 (6.1)     | 0.344 (8.7)    | 0.032 (.8)     |
| 2000        | 500            | CD30FD202JO3F          | 0.77 (19.6)    | 0.85 (21.6)    | 0.24 (6.1)     | 0.438 (11.1)   | 0.040 (1.0)    |
| 2000        | 1000           | CDV19FF202JO3F         | 0.68 (17.3)    | 0.56 (14.2)    | 0.30 (7.6)     | 0.344 (8.7)    | 0.032 (.8)     |
| 2000        | 1500           | CDV30FH202JO3F         | 0.78 (19.8)    | 0.87 (22.1)    | 0.30 (7.6)     | 0.438 (11.1)   | 0.040 (1.0)    |
| 2100        | 2,000          | CDV30FJ212JO3F         | 0.80 (20.3)    | 0.90 (22.9)    | 0.36 (9.1)     | 0.438 (11.1)   | 0.040 (1.0)    |
| 2100        | 2500           | CDV30FK212JO3F         | 0.82 (20.8)    | 0.91 (23.1)    | 0.39 (9.9)     | 0.438 (11.1)   | 0.040 (1.0)    |
| 2200        | 500            | CD19FD222JO3F          | 0.67 (17.0)    | 0.53 (13.5)    | 0.25 (6.4)     | 0.344 (8.7)    | 0.032 (.8)     |
| 2200        | 500            | CD30FD222JO3F          | 0.77 (19.6)    | 0.85 (21.6)    | 0.25 (6.4)     | 0.438 (11.1)   | 0.040 (1.0)    |
| 2200        | 1000           | CDV19FF222JO3F         | 0.69 (17.5)    | 0.56 (14.2)    | 0.31 (7.9)     | 0.344 (8.7)    | 0.032 (.8)     |
| 2200        | 1500           | CDV30FH222JO3F         | 0.79 (20.1)    | 0.88 (22.4)    | 0.31 (7.9)     | 0.438 (11.1)   | 0.040 (1.0)    |
| 2400        | 500            | CD19FD242JO3F          | 0.67 (17.0)    | 0.54 (13.7)    | 0.26 (6.6)     | 0.344 (8.7)    | 0.032 (.8)     |
| 2400        | 500            | CD30FD242JO3F          | 0.77 (19.6)    | 0.85 (21.6)    | 0.25 (6.4)     | 0.438 (11.1)   | 0.040 (1.0)    |
| 2400        | 1000           | CDV19FF242JO3F         | 0.69 (17.5)    | 0.57 (14.5)    | 0.32 (8.1)     | 0.344 (8.7)    | 0.032 (.8)     |
| 2400        | 1500           | CDV30FH242JO3F         | 0.79 (20.1)    | 0.88 (22.4)    | 0.32 (8.1)     | 0.438 (11.1)   | 0.040 (1.0)    |
| 2400        | 2,000          | CDV30FJ242JO3F         | 0.80 (20.3)    | 0.90 (22.9)    | 0.38 (9.7)     | 0.438 (11.1)   | 0.040 (1.0)    |
| 2400        | 2500           | CDV30FK242JO3F         | 0.82 (20.8)    | 0.91 (23.1)    | 0.42 (10.7)    | 0.438 (11.1)   | 0.040 (1.0)    |
| 2500        | 500            | CD19FD252JO3F          | 0.68 (17.3)    | 0.54 (13.7)    | 0.26 (6.6)     | 0.344 (8.7)    | 0.032 (.8)     |
| 2500        | 500            | CD30FD252JO3F          | 0.77 (19.6)    | 0.85 (21.6)    | 0.25 (6.4)     | 0.438 (11.1)   | 0.040 (1.0)    |
| 2500        | 1500           | CDV30FH252JO3F         | 0.79 (20.1)    | 0.88 (22.4)    | 0.32 (8.1)     | 0.438 (11.1)   | 0.040 (1.0)    |
| 2500        | 2000           | CDV30FJ252JO3F         | 0.80 (20.3)    | 0.90 (22.9)    | 0.38 (9.7)     | 0.438 (11.1)   | 0.040 (1.0)    |
| 2500        | 2,500          | CDV30FK252JO3F         | 0.82 (20.8)    | 0.91 (23.1)    | 0.42 (10.7)    | 0.438 (11.1)   | 0.040 (1.0)    |
| 2700        | 500            | CD19FD272JO3F          | 0.68 (17.3)    | 0.54 (13.7)    | 0.27 (6.9)     | 0.344 (8.7)    | 0.032 (.8)     |
| 2700        | 500            | CD30FD272JO3F          | 0.77 (19.6)    | 0.85 (21.6)    | 0.25 (6.4)     | 0.438 (11.1)   | 0.040 (1.0)    |

# Mica Capacitors, Standard Dipped

Types CD10, D10, CD15, CD19, CD30, CD42, CDV19, CDV30

| Cap<br>(pF) | Volts<br>(Vdc) | Catalog<br>Part Number | L<br>(in) (mm) | H<br>(in) (mm) | T<br>(in) (mm) | S<br>(in) (mm) | d<br>(in) (mm) |
|-------------|----------------|------------------------|----------------|----------------|----------------|----------------|----------------|
| 2700        | 1000           | CDV19FF272JO3F         | 0.70 (17.8)    | 0.57 (14.5)    | 0.34( 8.6)     | 0.344 ( 8.7)   | 0.032 ( .8)    |
| 2700        | 1500           | CDV30FH272JO3F         | 0.79 (20.1)    | 0.88 (22.4)    | 0.33( 8.4)     | 0.438 (11.1)   | 0.040 (1.0)    |
| 2700        | 2000           | CDV30FJ272JO3F         | 0.81 (20.6)    | 0.91 (23.1)    | 0.40(10.2)     | 0.438 (11.1)   | 0.040 (1.0)    |
| 2700        | 2500           | CDV30FK272JO3F         | 0.83 (21.1)    | 0.92 (23.4)    | 0.45(11.4)     | 0.438 (11.1)   | 0.040 (1.0)    |
| 3000        | 500            | CD19FD302JO3F          | 0.68 (17.3)    | 0.55 (14.0)    | 0.28( 7.1)     | 0.344 ( 8.7)   | 0.032 ( .8)    |
| 3000        | 500            | CD30FD302JO3F          | 0.77 (19.6)    | 0.86 (21.8)    | 0.25( 6.4)     | 0.438 (11.1)   | 0.040 (1.0)    |
| 3000        | 1000           | CDV19FF302JO3F         | 0.71 (18.0)    | 0.58 (14.7)    | 0.36( 9.1)     | 0.344 ( 8.7)   | 0.032 ( .8)    |
| 3000        | 1500           | CDV30FH302JO3F         | 0.80 (20.3)    | 0.89 (22.6)    | 0.34( 8.6)     | 0.438 (11.1)   | 0.040 (1.0)    |
| 3000        | 2000           | CDV30FJ302JO3F         | 0.81 (20.6)    | 0.91 (23.1)    | 0.42(10.7)     | 0.438 (11.1)   | 0.040 (1.0)    |
| 3000        | 2,500          | CDV30FK302JO3F         | 0.84 (21.3)    | 0.93 (23.6)    | 0.48(12.2)     | 0.438 (11.1)   | 0.040 (1.0)    |
| 3300        | 500            | CD19FD332JO3F          | 0.68 (17.3)    | 0.55 (14.0)    | 0.29( 7.4)     | 0.344 ( 8.7)   | 0.032 ( .8)    |
| 3300        | 500            | CD30FD332JO3F          | 0.77 (19.6)    | 0.86 (21.8)    | 0.25( 6.4)     | 0.438 (11.1)   | 0.040 (1.0)    |
| 3300        | 1,000          | CDV19FF332JO3F         | 0.72 (18.3)    | 0.59 (15.0)    | 0.38( 9.7)     | 0.344 ( 8.7)   | 0.032 ( .8)    |
| 3300        | 1500           | CDV30FH332JO3F         | 0.80 (20.3)    | 0.89 (22.6)    | 0.35( 8.9)     | 0.438 (11.1)   | 0.040 (1.0)    |
| 3300        | 2000           | CDV30FJ332JO3F         | 0.82 (20.8)    | 0.92 (23.4)    | 0.44(11.2)     | 0.438 (11.1)   | 0.040 (1.0)    |
| 3600        | 500            | CD19FD362JO3F          | 0.68 (17.3)    | 0.56 (14.2)    | 0.30( 7.6)     | 0.344 ( 8.7)   | 0.032 ( .8)    |
| 3600        | 500            | CD30FD362JO3F          | 0.77 (19.6)    | 0.86 (21.8)    | 0.26( 6.6)     | 0.438 (11.1)   | 0.040 (1.0)    |
| 3600        | 1000           | CDV19FF362JO3F         | 0.73 (18.5)    | 0.60 (15.2)    | 0.40(10.2)     | 0.344 ( 8.7)   | 0.032 ( .8)    |
| 3600        | 1,500          | CDV30FH362JO3F         | 0.80 (20.3)    | 0.89 (22.6)    | 0.35( 8.9)     | 0.438 (11.1)   | 0.040 (1.0)    |
| 3600        | 2000           | CDV30FJ362JO3F         | 0.82 (20.8)    | 0.92 (23.4)    | 0.44(11.2)     | 0.438 (11.1)   | 0.040 (1.0)    |
| 3900        | 500            | CD19FD392JO3F          | 0.69 (17.5)    | 0.56 (14.2)    | 0.31( 7.9)     | 0.344 ( 8.7)   | 0.032 ( .8)    |
| 3900        | 500            | CD30FD392JO3F          | 0.77 (19.6)    | 0.86 (21.8)    | 0.26( 6.6)     | 0.438 (11.1)   | 0.040 (1.0)    |
| 3900        | 1000           | CDV19FF392JO3F         | 0.74 (18.8)    | 0.61 (15.5)    | 0.42(10.7)     | 0.344 ( 8.7)   | 0.032 ( .8)    |
| 3900        | 1500           | CDV30FH392JO3F         | 0.80 (20.3)    | 0.89 (22.6)    | 0.36( 9.1)     | 0.438 (11.1)   | 0.040 (1.0)    |
| 3900        | 2,000          | CDV30FJ392JO3F         | 0.83 (21.1)    | 0.93 (23.6)    | 0.46(11.7)     | 0.438 (11.1)   | 0.040 (1.0)    |
| 4300        | 500            | CD19FD432JO3F          | 0.69 (17.5)    | 0.57 (14.5)    | 0.33( 8.4)     | 0.344 ( 8.7)   | 0.032 ( .8)    |
| 4300        | 500            | CD30FD432JO3F          | 0.78 (19.8)    | 0.86 (21.8)    | 0.27( 6.9)     | 0.438 (11.1)   | 0.040 (1.0)    |
| 4300        | 1000           | CDV19FF432JO3F         | 0.75 (19.1)    | 0.62 (15.7)    | 0.44(11.2)     | 0.344 ( 8.7)   | 0.032 ( .8)    |
| 4300        | 1500           | CDV30FH432JO3F         | 0.81 (20.6)    | 0.90 (22.9)    | 0.37( 9.4)     | 0.438 (11.1)   | 0.040 (1.0)    |
| 4300        | 2000           | CDV30FJ432JO3F         | 0.84 (21.3)    | 0.93 (23.6)    | 0.48(12.2)     | 0.438 (11.1)   | 0.040 (1.0)    |
| 4700        | 500            | CD19FD472JO3F          | 0.70 (17.8)    | 0.58 (14.7)    | 0.35( 8.9)     | 0.344 ( 8.7)   | 0.032 ( .8)    |
| 4700        | 500            | CD30FD472JO3F          | 0.78 (19.8)    | 0.86 (21.8)    | 0.27( 6.9)     | 0.438 (11.1)   | 0.040 (1.0)    |
| 4700        | 1000           | CDV19FF472JO3F         | 0.76 (19.3)    | 0.63 (16.0)    | 0.46(11.7)     | 0.344 ( 8.7)   | 0.032 ( .8)    |
| 4700        | 1500           | CDV30FH472JO3F         | 0.81 (20.6)    | 0.90 (22.9)    | 0.38( 9.7)     | 0.438 (11.1)   | 0.040 (1.0)    |
| 5000        | 500            | CD19FD502JO3F          | 0.71 (18.0)    | 0.59 (15.0)    | 0.37( 9.4)     | 0.344 ( 8.7)   | 0.032 ( .8)    |
| 5000        | 500            | CD30FD502JO3F          | 0.78 (19.8)    | 0.86 (21.8)    | 0.28( 7.1)     | 0.438 (11.1)   | 0.040 (1.0)    |
| 5000        | 1500           | CDV30FH502JO3F         | 0.81 (20.6)    | 0.90 (22.9)    | 0.38( 9.7)     | 0.438 (11.1)   | 0.040 (1.0)    |
| 5100        | 500            | CD19FD512JO3F          | 0.71 (18.0)    | 0.59 (15.0)    | 0.37( 9.4)     | 0.344 ( 8.7)   | 0.032 ( .8)    |
| 5100        | 500            | CD30FD512JO3F          | 0.78 (19.8)    | 0.86 (21.8)    | 0.28( 7.1)     | 0.438 (11.1)   | 0.040 (1.0)    |
| 5100        | 1000           | CDV30FF512JO3F         | 0.79 (20.1)    | 0.88 (22.4)    | 0.33( 8.4)     | 0.438 (11.1)   | 0.040 (1.0)    |
| 5100        | 1,500          | CDV30FH512JO3F         | 0.81 (20.6)    | 0.90 (22.9)    | 0.39( 9.9)     | 0.438 (11.1)   | 0.040 (1.0)    |
| 5600        | 300            | CD19FC562JO3F          | 0.68 (17.3)    | 0.56 (14.2)    | 0.31( 7.9)     | 0.344 ( 8.7)   | 0.032 ( .8)    |
| 5600        | 500            | CD30FD562JO3F          | 0.78 (19.8)    | 0.87 (22.1)    | 0.29( 7.4)     | 0.438 (11.1)   | 0.040 (1.0)    |

# Mica Capacitors, Standard Dipped

## Types CD10, D10, CD15, CD19, CD30, CD42, CDV19, CDV30

| Cap<br>(pF) | Volts<br>(Vdc) | Catalog<br>Part Number | L<br>(in) (mm) | H<br>(in) (mm) | T<br>(in) (mm) | S<br>(in) (mm) | d<br>(in) (mm) |
|-------------|----------------|------------------------|----------------|----------------|----------------|----------------|----------------|
| 5600        | 1000           | CDV30FF562JO3F         | 0.80 (20.3)    | 0.89 (22.6)    | 0.34( 8.6)     | 0.438 (11.1)   | 0.040 (1.0)    |
| 5600        | 1500           | CDV30FH562JO3F         | 0.82 (20.8)    | 0.91 (23.1)    | 0.40(10.2)     | 0.438 (11.1)   | 0.040 (1.0)    |
| 6200        | 300            | CD19FC622JO3F          | 0.69 (17.5)    | 0.56 (14.2)    | 0.32( 8.1)     | 0.344 ( 8.7)   | 0.032 ( .8)    |
| 6800        | 300            | CD19FC682JO3F          | 0.69 (17.5)    | 0.57 (14.5)    | 0.33( 8.4)     | 0.344 ( 8.7)   | 0.032 ( .8)    |
| 6200        | 500            | CD30FD622JO3F          | 0.78 (19.8)    | 0.87 (22.1)    | 0.29( 7.4)     | 0.438 (11.1)   | 0.040 (1.0)    |
| 6200        | 1000           | CDV30FF622JO3F         | 0.80 (20.3)    | 0.89 (22.6)    | 0.35( 8.9)     | 0.438 (11.1)   | 0.040 (1.0)    |
| 6200        | 1500           | CDV30FH622JO3F         | 0.82 (20.8)    | 0.91 (23.1)    | 0.41(10.4)     | 0.438 (11.1)   | 0.040 (1.0)    |
| 6800        | 500            | CD30FD682JO3F          | 0.78 (19.8)    | 0.88 (22.4)    | 0.30( 7.6)     | 0.438 (11.1)   | 0.040 (1.0)    |
| 6800        | 1000           | CDV30FF682JO3F         | 0.80 (20.3)    | 0.89 (22.6)    | 0.36( 9.1)     | 0.438 (11.1)   | 0.040 (1.0)    |
| 6800        | 1,500          | CDV30FH682JO3F         | 0.83 (21.1)    | 0.92 (23.4)    | 0.42(10.7)     | 0.438 (11.1)   | 0.040 (1.0)    |
| 7500        | 100            | CD19FA752JO3F          | 0.70 (17.8)    | 0.57 (14.5)    | 0.34( 8.6)     | 0.344 ( 8.7)   | 0.032 ( .8)    |
| 7500        | 500            | CD30FD752JO3F          | 0.79 (20.1)    | 0.88 (22.4)    | 0.31( 7.9)     | 0.438 (11.1)   | 0.040 (1.0)    |
| 7500        | 1,000          | CDV30FF752JO3F         | 0.81 (20.6)    | 0.89 (22.6)    | 0.37( 9.4)     | 0.438 (11.1)   | 0.040 (1.0)    |
| 7500        | 1500           | CDV30FH752JO3F         | 0.83 (21.1)    | 0.92 (23.4)    | 0.42(10.7)     | 0.438 (11.1)   | 0.040 (1.0)    |
| 8200        | 100            | CD19FA822JO3F          | 0.70 (17.8)    | 0.58 (14.7)    | 0.35( 8.9)     | 0.344 ( 8.7)   | 0.032 ( .8)    |
| 8200        | 500            | CD30FD822JO3F          | 0.79 (20.1)    | 0.88 (22.4)    | 0.32( 8.1)     | 0.438 (11.1)   | 0.040 (1.0)    |
| 8200        | 1000           | CDV30FF822JO3F         | 0.81 (20.6)    | 0.90 (22.9)    | 0.39( 9.9)     | 0.438 (11.1)   | 0.040 (1.0)    |
| 8200        | 1500           | CDV30FH822JO3F         | 0.84 (21.3)    | 0.93 (23.6)    | 0.46(11.7)     | 0.438 (11.1)   | 0.040 (1.0)    |
| 9100        | 100            | CD19FA912JO3F          | 0.71 (18.0)    | 0.59 (15.0)    | 0.36( 9.1)     | 0.344 ( 8.7)   | 0.032 ( .8)    |
| 9100        | 500            | CD30FD912JO3F          | 0.79 (20.1)    | 0.88 (22.4)    | 0.33( 8.4)     | 0.438 (11.1)   | 0.040 (1.0)    |
| 9100        | 1000           | CDV30FF912JO3F         | 0.82 (20.8)    | 0.90 (22.9)    | 0.41(10.4)     | 0.438 (11.1)   | 0.040 (1.0)    |
| 10000       | 100            | CD19FA103JO3F          | 0.72 (18.3)    | 0.60 (15.2)    | 0.37( 9.4)     | 0.344 ( 8.7)   | 0.032 ( .8)    |
| 10000       | 500            | CD30FD103JO3F          | 0.80 (20.3)    | 0.89 (22.6)    | 0.34( 8.6)     | 0.438 (11.1)   | 0.040 (1.0)    |
| 10000       | 1000           | CDV30FF103JO3F         | 0.82 (20.8)    | 0.91 (23.1)    | 0.42(10.7)     | 0.438 (11.1)   | 0.040 (1.0)    |
| 11000       | 500            | CD30FD113JO3F          | 0.80 (20.3)    | 0.89 (22.6)    | 0.35( 8.9)     | 0.438 (11.1)   | 0.040 (1.0)    |
| 11000       | 1000           | CDV30FF113JO3F         | 0.83 (21.1)    | 0.91 (23.1)    | 0.44(11.2)     | 0.438 (11.1)   | 0.040 (1.0)    |
| 12000       | 500            | CD30FD123JO3F          | 0.80 (20.3)    | 0.89 (22.6)    | 0.36( 9.1)     | 0.438 (11.1)   | 0.040 (1.0)    |
| 12000       | 1000           | CDV30FF123JO3F         | 0.83 (21.1)    | 0.92 (23.4)    | 0.46(11.7)     | 0.438 (11.1)   | 0.040 (1.0)    |
| 13000       | 500            | CD30FD133JO3F          | 0.81 (20.6)    | 0.89 (22.6)    | 0.37( 9.4)     | 0.438 (11.1)   | 0.040 (1.0)    |
| 13000       | 1000           | CDV30FF133JO3F         | 0.84 (21.3)    | 0.93 (23.6)    | 0.48(12.2)     | 0.438 (11.1)   | 0.040 (1.0)    |
| 15000       | 500            | CD30FD153JO3F          | 0.81 (20.6)    | 0.90 (22.9)    | 0.39( 9.9)     | 0.438 (11.1)   | 0.040 (1.0)    |
| 16000       | 500            | CD30FD163JO3F          | 0.82 (20.8)    | 0.90 (22.9)    | 0.41(10.4)     | 0.438 (11.1)   | 0.040 (1.0)    |
| 18000       | 500            | CD30FD183JO3F          | 0.82 (20.8)    | 0.91 (23.1)    | 0.43(10.9)     | 0.438 (11.1)   | 0.040 (1.0)    |
| 20000       | 500            | CD30FD203JO3F          | 0.83 (21.1)    | 0.92 (23.4)    | 0.45(11.4)     | 0.438 (11.1)   | 0.040 (1.0)    |
| 20000       | 500            | CD42FD203JO3F          | 1.42 (36.1)    | 0.87 (22.1)    | 0.30( 7.6)     | 1.063 (27.0)   | 0.040 (1.0)    |
| 22000       | 500            | CD30FD223JO3F          | 0.83 (21.1)    | 0.93 (23.6)    | 0.46(11.7)     | 0.438 (11.1)   | 0.040 (1.0)    |
| 22000       | 500            | CD42FD223JO3F          | 1.42 (36.1)    | 0.88 (22.4)    | 0.31( 7.9)     | 1.063 (27.0)   | 0.040 (1.0)    |
| 24000       | 300            | CD30FC243JO3F          | 0.82 (20.8)    | 0.90 (22.9)    | 0.41(10.4)     | 0.438 (11.1)   | 0.040 (1.0)    |
| 24000       | 500            | CD42FD243JO3F          | 1.43 (36.3)    | 0.88 (22.4)    | 0.32( 8.1)     | 1.063 (27.0)   | 0.040 (1.0)    |
| 25000       | 300            | CD30FC253JO3F          | 0.82 (20.8)    | 0.91 (23.1)    | 0.43(10.9)     | 0.438 (11.1)   | 0.040 (1.0)    |
| 25000       | 500            | CD42FD253JO3F          | 1.43 (36.3)    | 0.88 (22.4)    | 0.33( 8.4)     | 1.063 (27.0)   | 0.040 (1.0)    |
| 27000       | 300            | CD30FC273JO3F          | 0.82 (20.8)    | 0.91 (23.1)    | 0.43(10.9)     | 0.438 (11.1)   | 0.040 (1.0)    |
| 27000       | 500            | CD42FD273JO3F          | 1.43 (36.3)    | 0.88 (22.4)    | 0.33( 8.4)     | 1.063 (27.0)   | 0.040 (1.0)    |

# Mica Capacitors, Standard Dipped

Types CD10, D10, CD15, CD19, CD30, CD42, CDV19, CDV30

| Cap<br>(pF) | Volts<br>(Vdc) | Catalog<br>Part Number | L<br>(in) (mm) | H<br>(in) (mm) | T<br>(in) (mm) | S<br>(in) (mm) | d<br>(in) (mm) |
|-------------|----------------|------------------------|----------------|----------------|----------------|----------------|----------------|
| 30000       | 300            | CD30FC303JO3F          | 0.83 (21.1)    | 0.92 (23.4)    | 0.46(11.7)     | 0.438 (11.1)   | 0.040 (1.0)    |
| 30000       | 500            | CD42FD303JO3F          | 1.44 (36.6)    | 0.89 (22.6)    | 0.35( 8.9)     | 1.063 (27.0)   | 0.040 (1.0)    |
| 33000       | 100            | CD30FA333JO3F          | 0.83 (21.1)    | 0.91 (23.1)    | 0.44(11.2)     | 0.438 (11.1)   | 0.040 (1.0)    |
| 33000       | 500            | CD42FD333JO3F          | 1.44 (36.6)    | 0.89 (22.6)    | 0.36( 9.1)     | 1.063 (27.0)   | 0.040 (1.0)    |
| 36000       | 100            | CD30FA363JO3F          | 0.83 (21.1)    | 0.92 (23.4)    | 0.45(11.4)     | 0.438 (11.1)   | 0.040 (1.0)    |
| 36000       | 500            | CD42FD363JO3F          | 1.45 (36.8)    | 0.90 (22.9)    | 0.38( 9.7)     | 1.063 (27.0)   | 0.040 (1.0)    |
| 39000       | 500            | CD42FD393JO3F          | 1.45 (36.8)    | 0.90 (22.9)    | 0.40(10.2)     | 1.063 (27.0)   | 0.040 (1.0)    |
| 40000       | 100            | CD30FA403JO3F          | 0.84 (21.3)    | 0.92 (23.4)    | 0.47(11.9)     | 0.438 (11.1)   | 0.040 (1.0)    |
| 43000       | 500            | CD42FD433JO3F          | 1.46 (37.1)    | 0.91 (23.1)    | 0.42(10.7)     | 1.063 (27.0)   | 0.040 (1.0)    |
| 47000       | 500            | CD42FD473JO3F          | 1.47 (37.3)    | 0.91 (23.1)    | 0.45(11.4)     | 1.063 (27.0)   | 0.040 (1.0)    |
| 50000       | 500            | CD42FD503JO3F          | 1.48 (37.6)    | 0.92 (23.4)    | 0.47(11.9)     | 1.063 (27.0)   | 0.040 (1.0)    |
| 51000       | 500            | CD42FD513JO3F          | 1.48 (37.6)    | 0.92 (23.4)    | 0.47(11.9)     | 1.063 (27.0)   | 0.040 (1.0)    |
| 56000       | 300            | CD42FC563JO3F          | 1.46 (37.1)    | 0.91 (23.1)    | 0.42(10.7)     | 1.063 (27.0)   | 0.040 (1.0)    |
| 62000       | 300            | CD42FC623JO3F          | 1.47 (37.3)    | 0.92 (23.4)    | 0.45(11.4)     | 1.063 (27.0)   | 0.040 (1.0)    |
| 68000       | 300            | CD42FC683JO3F          | 1.48 (37.6)    | 0.92 (23.4)    | 0.47(11.9)     | 1.063 (27.0)   | 0.040 (1.0)    |
| 75000       | 100            | CD42FA753JO3F          | 1.47 (37.3)    | 0.91 (23.1)    | 0.44(11.2)     | 1.063 (27.0)   | 0.040 (1.0)    |
| 82000       | 100            | CD42FA823JO3F          | 1.48 (37.6)    | 0.92 (23.4)    | 0.46(11.7)     | 1.063 (27.0)   | 0.040 (1.0)    |
| 91000       | 100            | CD42FA913JO3F          | 1.50 (38.1)    | 0.94 (23.9)    | 0.50(12.7)     | 1.063 (27.0)   | 0.040 (1.0)    |

**Notice and Disclaimer:** All product drawings, descriptions, specifications, statements, information and data (collectively, the "Information") in this datasheet or other publication are subject to change. The customer is responsible for checking, confirming and verifying the extent to which the Information contained in this datasheet or other publication is applicable to an order at the time the order is placed. All Information given herein is believed to be accurate and reliable, but it is presented without any guarantee, warranty, representation or responsibility of any kind, expressed or implied. Statements of suitability for certain applications are based on the knowledge that the Cornell Dubilier company providing such statements ("Cornell Dubilier") has of operating conditions that such Cornell Dubilier company regards as typical for such applications, but are not intended to constitute any guarantee, warranty or representation regarding any such matter – and Cornell Dubilier specifically and expressly disclaims any guarantee, warranty or representation concerning the suitability for a specific customer application, use, storage, transportation, or operating environment. The Information is intended for use only by customers who have the requisite experience and capability to determine the correct products for their application. Any technical advice inferred from this Information or otherwise provided by Cornell Dubilier with reference to the use of any Cornell Dubilier products is given gratis (unless otherwise specified by Cornell Dubilier), and Cornell Dubilier assumes no obligation or liability for the advice given or results obtained. Although Cornell Dubilier strives to apply the most stringent quality and safety standards regarding the design and manufacturing of its products, in light of the current state of the art, isolated component failures may still occur. Accordingly, customer applications which require a high degree of reliability or safety should employ suitable designs or other safeguards (such as installation of protective circuitry or redundancies or other appropriate protective measures) in order to ensure that the failure of an electrical component does not result in a risk of personal injury or property damage. Although all product-related warnings, cautions and notes must be observed, the customer should not assume that all safety measures are indicated in such warnings, cautions and notes, or that other safety measures may not be required.

## X-ON Electronics

Largest Supplier of Electrical and Electronic Components

*Click to view similar products for [Mica Capacitors](#) category:*

*Click to view products by [Cornell Dubilier](#) manufacturer:*

Other Similar products are found below :

[27250B202JO0](#) [27205B204JO0](#) [CM07FD103JO3](#) [MIN02-002CC4R7D-F](#) [MIN02-002CC5R6D-F](#) [MIN02-002CC6R8D-F](#) [MIN02-002CC8R2D-F](#) [CD16FD181JO3](#) [CDA15ED220DO3+XXB](#) [CDA15ED680JO3](#) [CDS19FD502FO3](#) [CM05ED200JO3](#) [CM07FD682GO3](#) [MC08CA100D-TF](#) [MC12FA101G-F](#) [CD5EC750GO3F](#) [CD5EC220DO3](#) [MC12EF180G-F](#) [CD5CC150DO3F](#) [CD7FC271GO3](#) [CD5EC270GO3F](#) [CDV16FF421JO3F](#) [MC18FD391J-TF](#) [CD10FD251GO3F](#) [CD42FD503JO3F](#) [MC18FA331G-F](#) [CM05FD361GO3](#) [CD17FA152JO3F](#) [MIN02-002DC400J-F](#) [CDV30EH390JO3F](#) [CD42FD223JO3](#) [CM04ED470GO3](#) [CD17FD511JO3](#) [CD5EC430GO3F](#) [CD17ED390JO3F](#) [CD19FA822GO3](#) [MC18FA431J-F](#) [CD7FA391JO3](#) [MC22FF821G-F](#) [MC12CF100C-F](#) [CD19FA103FO3F](#) [CD5CC070CO3F](#) [CD42FD253FO3F](#) [CDV30FH431JO3F+XZX](#) [CD7FC221FO3](#) [MCM01-002ED201J-F](#) [CDV30EF470JO3F](#) [CD15FA911FO3F](#) [CDV30FJ201JO3F](#) [MC12FA251J-F](#)