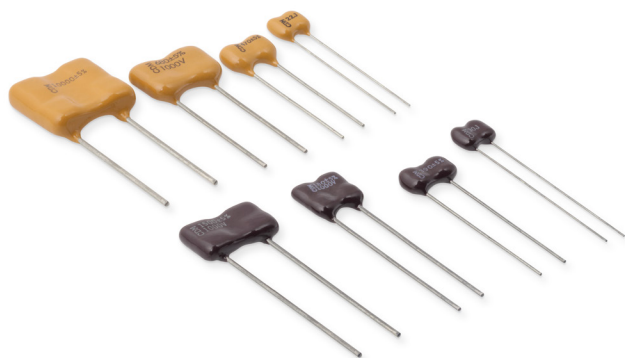


# Mica Capacitors, Standard Dipped

Types CD10, D10, CD15, CD19, CD30, CD42, CDV19, CDV30



Stability and mica go hand-in-hand when you need to count on stable capacitance over a wide temperature range. CDE's standard dipped silvered mica capacitors are the first choice for timing and close tolerance applications. These standard types are widely available through distribution.

## Highlights

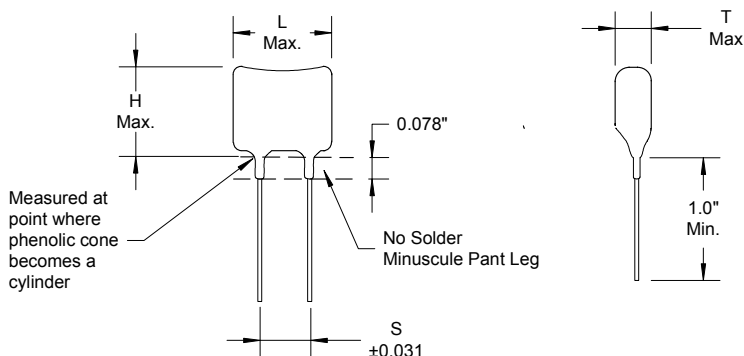
- Reel packaging available
- High temperature – up to +150 °C
- Dimensions meet EIA RS153B specification
- 100,000 V/μs dV/dt pulse capability minimum
- Non-flammable units that meet IEC 695-2-2 are available

## Specifications

Capacitance Range	1 pF to 91,000 pF
Capacitance Tolerance	±1/2 pF (D), ±1 pF (C), ±1/2% (E), ±1% (F), ±2% (G), ±5% (J)
Rated Voltage	100 Vdc to 2500 Vdc
Operating Temperature Range	-55 °C to +125 °C (O) -55 °C to +150 °C (P)*
Dielectric Strength Test	200% of rated voltage
RoHS Compliant	

\* P temperature range available for types CD10, CD15, CD19, CD30 and CD42

## Dimensions



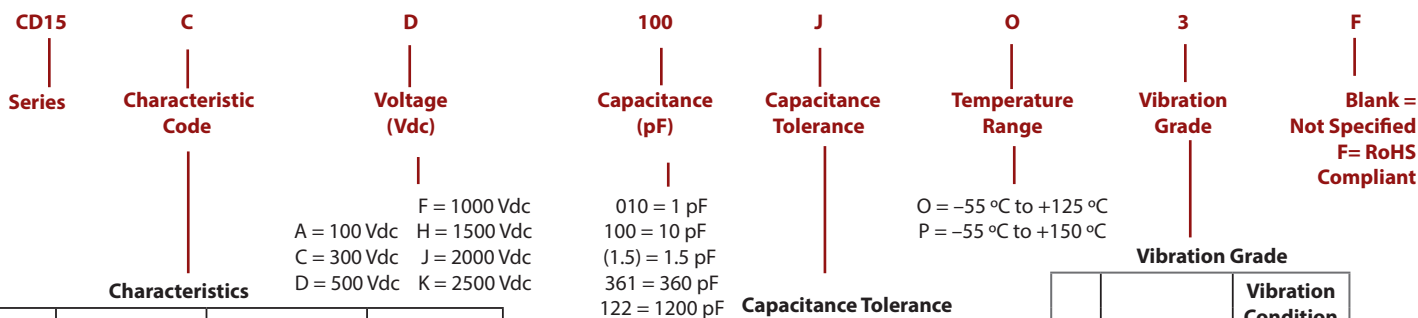
## Construction Details

Case Material	Epoxy
Terminal Material	Copper clad steel, nickle undercoat, 100% tin finish

## Ordering Information

Order by complete part number as below. For other options, write your requirements on your purchase order or request for quotation.

## Part Numbering System (Radial-Leaded Silvered Mica Capacitors, except D10\*)



Code	Temp. Coeff. ppm/ °C	Capacitance Drift	Standard Cap. Range
C	-200 to +200	±(0.5% + 0.1 pF)	1–18 pF
E	-20 to +100	±(0.1% + 0.1 pF)	20–82 pF
F	0 to +70	±(0.05% + 0.1 pF)	91 pF and up

Tol. Code	Tolerance	Capacitance Range
C	±1 pF	1–9 pF
D	±1/2 pF	1–99 pF
E	±1/2 %	100 pF and up
F	±1 %	50 pF and up
G	±2 %	25 pF and up
H	±3 %	18 pF and up
J	±5 %	10 pF and up

No.	MIL-STD-202	Vibration Condition (Hz)
3	Method 204 Condition D	10 to 2,000

## Options Available

- Non-flammable units per IEC 695-2-2 are available for standard dipped capacitors. Specify IEC 695-2-2 on your order.
- Tape and reeling, specify per application guide.

Standard tolerance is ±1/2 pF for less than 10 pF and ±5% for 10 pF and up

\* Order type D10 using the catalog numbers shown in ratings tables.

# Mica Capacitors, Standard Dipped

Types CD10, D10, CD15, CD19, CD30, CD42, CDV19, CDV30

## Ratings

Cap (pF)	Volts (Vdc)	Catalog Part Number	L (in) (mm)	H (in) (mm)	T (in) (mm)	S (in) (mm)	d (in) (mm)
1	500	CD10CD010D03F	0.36 ( 9.1)	0.33 ( 8.4)	0.19 (4.8)	0.141 (3.6)	0.016 (.4)
1	500	CD15CD010D03F	0.45 (11.4)	0.36 ( 9.1)	0.17 (4.3)	0.234 (5.9)	0.025 (.6)
2	500	CD10CD020D03F	0.36 ( 9.1)	0.33 ( 8.4)	0.19 (4.8)	0.141 (3.6)	0.016 (.4)
2	500	CD15CD020D03F	0.45 (11.4)	0.36 ( 9.1)	0.17 (4.3)	0.234 (5.9)	0.025 (.6)
3	500	CD10CD03F0D03F	0.36 ( 9.1)	0.33 ( 8.4)	0.19 (4.8)	0.141 (3.6)	0.016 (.4)
3	500	CD15CD03F0D03F	0.45 (11.4)	0.36 ( 9.1)	0.17 (4.3)	0.234 (5.9)	0.025 (.6)
4	500	CD15CD040D03F	0.45 (11.4)	0.36 ( 9.1)	0.17 (4.3)	0.234 (5.9)	0.025 (.6)
5	500	CD10CD050D03F	0.36 ( 9.1)	0.33 ( 8.4)	0.19 (4.8)	0.141 (3.6)	0.016 (.4)
5	500	CD15CD050D03F	0.45 (11.4)	0.36 ( 9.1)	0.17 (4.3)	0.234 (5.9)	0.025 (.6)
5	1,000	CDV19CF050D03F	0.64 (16.3)	0.50 (12.7)	0.19 (4.8)	0.344 (8.7)	0.032 (.8)
6	500	CD10CD060D03F	0.36 ( 9.1)	0.33 ( 8.4)	0.19 (4.8)	0.141 (3.6)	0.016 (.4)
6	500	CD15CD060D03F	0.45 (11.4)	0.36 ( 9.1)	0.17 (4.3)	0.234 (5.9)	0.025 (.6)
6	1,000	CDV19CF060D03F	0.64 (16.3)	0.50 (12.7)	0.19 (4.8)	0.344 (8.7)	0.032 (.8)
7	500	CD10CD070D03F	0.36 ( 9.1)	0.33 ( 8.4)	0.19 (4.8)	0.141 (3.6)	0.016 (.4)
7	500	CD15CD070D03F	0.45 (11.4)	0.36 ( 9.1)	0.17 (4.3)	0.234 (5.9)	0.025 (.6)
7	1,000	CDV19CF070D03F	0.64 (16.3)	0.50 (12.7)	0.19 (4.8)	0.344 (8.7)	0.032 (.8)
8	500	CD10CD080D03F	0.36 ( 9.1)	0.33 ( 8.4)	0.19 (4.8)	0.141 (3.6)	0.016 (.4)
8	500	CD15CD080D03F	0.45 (11.4)	0.36 ( 9.1)	0.17 (4.3)	0.234 (5.9)	0.025 (.6)
8	1,000	CDV19CF080D03F	0.64 (16.3)	0.50 (12.7)	0.19 (4.8)	0.344 (8.7)	0.032 (.8)
10	500	CD10CD100J03F	0.36 ( 9.1)	0.33 ( 8.4)	0.19 (4.8)	0.141 (3.6)	0.016 (.4)
10	500	CD15CD100J03F	0.45 (11.4)	0.36 ( 9.1)	0.17 (4.3)	0.234 (5.9)	0.025 (.6)
10	1,000	CDV19CF100J03F	0.64 (16.3)	0.50 (12.7)	0.19 (4.8)	0.344 (8.7)	0.032 (.8)
12	500	CD10CD120J03F	0.36 ( 9.1)	0.33 ( 8.4)	0.19 (4.8)	0.141 (3.6)	0.016 (.4)
12	500	CD15CD120J03F	0.45 (11.4)	0.36 ( 9.1)	0.17 (4.3)	0.234 (5.9)	0.025 (.6)
12	1,000	CDV19CF120J03F	0.64 (16.3)	0.50 (12.7)	0.19 (4.8)	0.344 (8.7)	0.032 (.8)
15	500	CD10CD150J03F	0.36 ( 9.1)	0.33 ( 8.4)	0.19 (4.8)	0.141 (3.6)	0.016 (.4)
15	500	CD15CD150J03F	0.45 (11.4)	0.36 ( 9.1)	0.17 (4.3)	0.234 (5.9)	0.025 (.6)
15	1000	CDV19CF150J03F	0.64 (16.3)	0.50 (12.7)	0.19 (4.8)	0.344 (8.7)	0.032 (.8)
18	500	CD10CD180J03F	0.36 ( 9.1)	0.33 ( 8.4)	0.19 (4.8)	0.141 (3.6)	0.016 (.4)
18	500	CD15CD180J03F	0.45 (11.4)	0.36 ( 9.1)	0.17 (4.3)	0.234 (5.9)	0.025 (.6)
18	1000	CDV19CF180J03F	0.64 (16.3)	0.50 (12.7)	0.19 (4.8)	0.344 ( 8.7)	0.032 ( .8)
20	500	CD10ED200J03F	0.36 ( 9.1)	0.33 ( 8.4)	0.19 (4.8)	0.141 ( 3.6)	0.016 ( .4)
20	500	CD15ED200J03F	0.45 (11.4)	0.36 ( 9.1)	0.17 (4.3)	0.234 ( 5.9)	0.025 ( .6)
20	1000	CDV19EF200J03F	0.64 (16.3)	0.50 (12.7)	0.19 (4.8)	0.344 ( 8.7)	0.032 ( .8)
22	500	CD10ED220J03F	0.36 ( 9.1)	0.33 ( 8.4)	0.19 (4.8)	0.141 ( 3.6)	0.016 ( .4)
22	500	CD15ED220J03F	0.45 (11.4)	0.36 ( 9.1)	0.17 (4.3)	0.234 ( 5.9)	0.025 ( .6)
22	1000	CDV19EF220J03F	0.64 (16.3)	0.50 (12.7)	0.19 (4.8)	0.344 ( 8.7)	0.032 ( .8)
24	500	CD10ED240J03F	0.36 ( 9.1)	0.33 ( 8.4)	0.19 (4.8)	0.141 ( 3.6)	0.016 ( .4)
24	500	CD15ED240J03F	0.45 (11.4)	0.36 ( 9.1)	0.17 (4.3)	0.234 ( 5.9)	0.025 ( .6)
24	1000	CDV19EF240J03F	0.64 (16.3)	0.50 (12.7)	0.19 (4.8)	0.344 ( 8.7)	0.032 ( .8)
24	1,500	CDV30EH240J03F	0.77 (19.6)	0.85 (21.6)	0.25 (6.4)	0.438 (11.1)	0.040 (1.0)
24	2000	CDV30EJ240J03F	0.77 (19.6)	0.86 (21.8)	0.25 (6.4)	0.438 (11.1)	0.040 (1.0)
24	2500	CDV30EK240J03F	0.78 (19.8)	0.86 (21.8)	0.25 (6.4)	0.438 (11.1)	0.040 (1.0)
27	500	CD10ED270J03F	0.37 ( 9.4)	0.33 ( 8.4)	0.19 (4.8)	0.141 ( 3.6)	0.016 ( .4)
27	500	CD15ED270J03F	0.45 (11.4)	0.36 ( 9.1)	0.17 (4.3)	0.234 ( 5.9)	0.025 ( .6)

# Mica Capacitors, Standard Dipped

Types CD10, D10, CD15, CD19, CD30, CD42, CDV19, CDV30

Cap (pF)	Volts (Vdc)	Catalog Part Number	L (in) (mm)	H (in) (mm)	T (in) (mm)	S (in) (mm)	d (in) (mm)
27	1000	CDV19EF270J03F	0.64 (16.3)	0.50 (12.7)	0.19 (4.8)	0.344 ( 8.7)	0.032 ( .8)
27	1500	CDV30EH270J03F	0.77 (19.6)	0.85 (21.6)	0.25 (6.4)	0.438 (11.1)	0.040 (1.0)
27	2000	CDV30EJ270J03F	0.77 (19.6)	0.86 (21.8)	0.25 (6.4)	0.438 (11.1)	0.040 (1.0)
27	2500	CDV30EK270J03F	0.78 (19.8)	0.86 (21.8)	0.25 (6.4)	0.438 (11.1)	0.040 (1.0)
30	500	CD10ED300J03F	0.37 ( 9.4)	0.34 ( 8.6)	0.19 (4.8)	0.141 ( 3.6)	0.016 ( .4)
30	500	CD15ED300J03F	0.45 (11.4)	0.36 ( 9.1)	0.17 (4.3)	0.234 ( 5.9)	0.025 ( .6)
30	1000	CDV19EF300J03F	0.64 (16.3)	0.50 (12.7)	0.19 (4.8)	0.344 ( 8.7)	0.032 ( .8)
30	1500	CDV30EH300J03F	0.77 (19.6)	0.85 (21.6)	0.25 (6.4)	0.438 (11.1)	0.040 (1.0)
30	2000	CDV30EJ300J03F	0.77 (19.6)	0.86 (21.8)	0.25 (6.4)	0.438 (11.1)	0.040 (1.0)
30	2,500	CDV30EK300J03F	0.78 (19.8)	0.86 (21.8)	0.25 (6.4)	0.438 (11.1)	0.040 (1.0)
33	500	CD10ED330J03F	0.37 ( 9.4)	0.34 ( 8.6)	0.19 (4.8)	0.141 ( 3.6)	0.016 ( .4)
33	500	CD15ED330J03F	0.45 (11.4)	0.36 ( 9.1)	0.17 (4.3)	0.234 ( 5.9)	0.025 ( .6)
33	1,000	CDV19EF330J03F	0.64 (16.3)	0.50 (12.7)	0.19 (4.8)	0.344 ( 8.7)	0.032 ( .8)
33	1500	CDV30EH330J03F	0.77 (19.6)	0.85 (21.6)	0.25 (6.4)	0.438 (11.1)	0.040 (1.0)
33	2000	CDV30EJ330J03F	0.77 (19.6)	0.86 (21.8)	0.25 (6.4)	0.438 (11.1)	0.040 (1.0)
33	2,500	CDV30EK330J03F	0.78 (19.8)	0.86 (21.8)	0.25 (6.4)	0.438 (11.1)	0.040 (1.0)
36	500	CD10ED360J03F	0.37 ( 9.4)	0.34 ( 8.6)	0.19 (4.8)	0.141 ( 3.6)	0.016 ( .4)
36	500	CD15ED360J03F	0.45 (11.4)	0.36 ( 9.1)	0.17 (4.3)	0.234 ( 5.9)	0.025 ( .6)
36	1,000	CDV19EF360J03F	0.64 (16.3)	0.50 (12.7)	0.19 (4.8)	0.344 ( 8.7)	0.032 ( .8)
36	1500	CDV30EH360J03F	0.77 (19.6)	0.85 (21.6)	0.25 (6.4)	0.438 (11.1)	0.040 (1.0)
36	2000	CDV30EJ360J03F	0.77 (19.6)	0.86 (21.8)	0.25 (6.4)	0.438 (11.1)	0.040 (1.0)
36	2,500	CDV30EK360J03F	0.78 (19.8)	0.86 (21.8)	0.25 (6.4)	0.438 (11.1)	0.040 (1.0)
39	500	CD10ED390J03F	0.37 ( 9.4)	0.34 ( 8.6)	0.19 (4.8)	0.141 ( 3.6)	0.016 ( .4)
39	500	CD15ED390J03F	0.45 (11.4)	0.36 ( 9.1)	0.17 (4.3)	0.234 ( 5.9)	0.025 ( .6)
39	1,000	CDV19EF390J03F	0.64 (16.3)	0.50 (12.7)	0.19 (4.8)	0.344 ( 8.7)	0.032 ( .8)
39	1500	CDV30EH390J03F	0.77 (19.6)	0.85 (21.6)	0.25 (6.4)	0.438 (11.1)	0.040 (1.0)
39	2000	CDV30EJ390J03F	0.77 (19.6)	0.86 (21.8)	0.25 (6.4)	0.438 (11.1)	0.040 (1.0)
39	2500	CDV30EK390J03F	0.78 (19.8)	0.86 (21.8)	0.25 (6.4)	0.438 (11.1)	0.040 (1.0)
43	500	CD10ED430J03F	0.37 ( 9.4)	0.34 ( 8.6)	0.19 (4.8)	0.141 ( 3.6)	0.016 ( .4)
43	500	CD15ED430J03F	0.45 (11.4)	0.36 ( 9.1)	0.17 (4.3)	0.234 ( 5.9)	0.025 ( .6)
43	1000	CDV19EF430J03F	0.64 (16.3)	0.50 (12.7)	0.19 (4.8)	0.344 ( 8.7)	0.032 ( .8)
43	1500	CDV30EH430J03F	0.77 (19.6)	0.85 (21.6)	0.25 (6.4)	0.438 (11.1)	0.040 (1.0)
43	2000	CDV30EJ430J03F	0.77 (19.6)	0.86 (21.8)	0.25 (6.4)	0.438 (11.1)	0.040 (1.0)
43	2500	CDV30EK430J03F	0.78 (19.8)	0.86 (21.8)	0.25 (6.4)	0.438 (11.1)	0.040 (1.0)
47	500	CD10ED470J03F	0.37 ( 9.4)	0.34 ( 8.6)	0.19 (4.8)	0.141 ( 3.6)	0.016 ( .4)
47	500	CD15ED470J03F	0.45 (11.4)	0.36 ( 9.1)	0.17 (4.3)	0.234 ( 5.9)	0.025 ( .6)
47	1000	CDV19EF470J03F	0.64 (16.3)	0.50 (12.7)	0.19 (4.8)	0.344 ( 8.7)	0.032 ( .8)
47	1,500	CDV30EH470J03F	0.77 (19.6)	0.85 (21.6)	0.25 (6.4)	0.438 (11.1)	0.040 (1.0)
47	2000	CDV30EJ470J03F	0.77 (19.6)	0.86 (21.8)	0.25 (6.4)	0.438 (11.1)	0.040 (1.0)
47	2500	CDV30EK470J03F	0.78 (19.8)	0.86 (21.8)	0.25 (6.4)	0.438 (11.1)	0.040 (1.0)
50	500	CD10ED500J03F	0.37 ( 9.4)	0.34 ( 8.6)	0.19 (4.8)	0.141 ( 3.6)	0.016 ( .4)
50	500	CD15ED500J03F	0.45 (11.4)	0.36 ( 9.1)	0.17 (4.3)	0.234 ( 5.9)	0.025 ( .6)
50	1000	CDV19EF500J03F	0.64 (16.3)	0.50 (12.7)	0.19 (4.8)	0.344 ( 8.7)	0.032 ( .8)
50	1,500	CDV30EH500J03F	0.77 (19.6)	0.85 (21.6)	0.25 (6.4)	0.438 (11.1)	0.040 (1.0)
50	2,000	CDV30EJ500J03F	0.77 (19.6)	0.86 (21.8)	0.25 (6.4)	0.438 (11.1)	0.040 (1.0)

# Mica Capacitors, Standard Dipped

## Types CD10, D10, CD15, CD19, CD30, CD42, CDV19, CDV30

Cap (pF)	Volts (Vdc)	Catalog Part Number	L (in) (mm)	H (in) (mm)	T (in) (mm)	S (in) (mm)	d (in) (mm)
50	2500	CDV30EK500J03F	0.78 (19.8)	0.86 (21.8)	0.25 (6.4)	0.438 (11.1)	0.040 (1.0)
51	500	CD10ED510J03F	0.37 ( 9.4)	0.34 ( 8.6)	0.19 (4.8)	0.141 ( 3.6)	0.016 ( .4)
51	500	CD15ED510J03F	0.45 (11.4)	0.36 ( 9.1)	0.17 (4.3)	0.234 ( 5.9)	0.025 ( .6)
51	1000	CDV19EF510J03F	0.64 (16.3)	0.50 (12.7)	0.19 (4.8)	0.344 ( 8.7)	0.032 ( .8)
51	1500	CDV30EH510J03F	0.77 (19.6)	0.85 (21.6)	0.25 (6.4)	0.438 (11.1)	0.040 (1.0)
51	2000	CDV30EJ510J03F	0.77 (19.6)	0.86 (21.8)	0.25 (6.4)	0.438 (11.1)	0.040 (1.0)
51	2500	CDV30EK510J03F	0.78 (19.8)	0.86 (21.8)	0.25 (6.4)	0.438 (11.1)	0.040 (1.0)
56	500	CD10ED560J03F	0.37 ( 9.4)	0.34 ( 8.6)	0.19 (4.8)	0.141 ( 3.6)	0.016 ( .4)
56	500	CD15ED560J03F	0.45 (11.4)	0.36 ( 9.1)	0.17 (4.3)	0.234 ( 5.9)	0.025 ( .6)
56	1,000	CDV19EF560J03F	0.64 (16.3)	0.50 (12.7)	0.19 (4.8)	0.344 ( 8.7)	0.032 ( .8)
56	1500	CDV30EH560J03F	0.77 (19.6)	0.85 (21.6)	0.25 (6.4)	0.438 (11.1)	0.040 (1.0)
56	2500	CDV30EK560J03F	0.78 (19.8)	0.86 (21.8)	0.25 (6.4)	0.438 (11.1)	0.040 (1.0)
62	500	CD10ED620J03F	0.37 ( 9.4)	0.34 ( 8.6)	0.19 (4.8)	0.141 ( 3.6)	0.016 ( .4)
62	500	CD15ED620J03F	0.45 (11.4)	0.36 ( 9.1)	0.17 (4.3)	0.234 ( 5.9)	0.025 ( .6)
62	1000	CDV19EF620J03F	0.64 (16.3)	0.50 (12.7)	0.19 (4.8)	0.344 ( 8.7)	0.032 ( .8)
62	1,500	CDV30EH620J03F	0.77 (19.6)	0.85 (21.6)	0.25 (6.4)	0.438 (11.1)	0.040 (1.0)
62	2000	CDV30EJ620J03F	0.77 (19.6)	0.86 (21.8)	0.25 (6.4)	0.438 (11.1)	0.040 (1.0)
62	2500	CDV30EK620J03F	0.78 (19.8)	0.86 (21.8)	0.25 (6.4)	0.438 (11.1)	0.040 (1.0)
68	500	CD10ED680J03F	0.37 ( 9.4)	0.34 ( 8.6)	0.19 (4.8)	0.141 ( 3.6)	0.016 ( .4)
68	500	CD15ED680J03F	0.45 (11.4)	0.36 ( 9.1)	0.18 (4.6)	0.234 ( 5.9)	0.025 ( .6)
68	1000	CDV19EF680J03F	0.64 (16.3)	0.50 (12.7)	0.19 (4.8)	0.344 ( 8.7)	0.032 ( .8)
68	1,500	CDV30EH680J03F	0.77 (19.6)	0.85 (21.6)	0.25 (6.4)	0.438 (11.1)	0.040 (1.0)
68	2000	CDV30EJ680J03F	0.77 (19.6)	0.86 (21.8)	0.25 (6.4)	0.438 (11.1)	0.040 (1.0)
68	2500	CDV30EK680J03F	0.78 (19.8)	0.86 (21.8)	0.25 (6.4)	0.438 (11.1)	0.040 (1.0)
75	500	CD10ED750J03F	0.37 ( 9.4)	0.34 ( 8.6)	0.20 (5.1)	0.141 ( 3.6)	0.016 ( .4)
75	500	CD15ED750J03F	0.45 (11.4)	0.36 ( 9.1)	0.18 (4.6)	0.234 ( 5.9)	0.025 ( .6)
75	1000	CDV19EF750J03F	0.64 (16.3)	0.50 (12.7)	0.19 (4.8)	0.344 ( 8.7)	0.032 ( .8)
75	1500	CDV30EH750J03F	0.77 (19.6)	0.85 (21.6)	0.25 (6.4)	0.438 (11.1)	0.040 (1.0)
75	2000	CDV30EJ750J03F	0.77 (19.6)	0.86 (21.8)	0.25 (6.4)	0.438 (11.1)	0.040 (1.0)
75	2500	CDV30EK750J03F	0.78 (19.8)	0.86 (21.8)	0.25 (6.4)	0.438 (11.1)	0.040 (1.0)
82	500	CD10ED820J03F	0.37 ( 9.4)	0.35 ( 8.9)	0.20 (5.1)	0.141 ( 3.6)	0.016 ( .4)
82	500	CD15ED820J03F	0.45 (11.4)	0.36 ( 9.1)	0.18 (4.6)	0.234 ( 5.9)	0.025 ( .6)
82	1000	CDV19EF820J03F	0.64 (16.3)	0.50 (12.7)	0.19 (4.8)	0.344 ( 8.7)	0.032 ( .8)
82	1500	CDV30EH820J03F	0.77 (19.6)	0.85 (21.6)	0.25 (6.4)	0.438 (11.1)	0.040 (1.0)
82	2,000	CDV30EJ820J03F	0.77 (19.6)	0.86 (21.8)	0.25 (6.4)	0.438 (11.1)	0.040 (1.0)
82	2500	CDV30EK820J03F	0.78 (19.8)	0.86 (21.8)	0.25 (6.4)	0.438 (11.1)	0.040 (1.0)
91	500	CD10FD910J03F	0.37 ( 9.4)	0.35 ( 8.9)	0.20 (5.1)	0.141 ( 3.6)	0.016 ( .4)
91	500	CD15FD910J03F	0.46 (11.7)	0.36 ( 9.1)	0.18 (4.6)	0.234 ( 5.9)	0.025 ( .6)
91	1000	CDV19FF910J03F	0.64 (16.3)	0.50 (12.7)	0.19 (4.8)	0.344 ( 8.7)	0.032 ( .8)
91	1500	CDV30FH910J03F	0.77 (19.6)	0.85 (21.6)	0.25 (6.4)	0.438 (11.1)	0.040 (1.0)
91	2,000	CDV30FJ910J03F	0.77 (19.6)	0.86 (21.8)	0.25 (6.4)	0.438 (11.1)	0.040 (1.0)
91	2500	CDV30FK910J03F	0.78 (19.8)	0.86 (21.8)	0.25 (6.4)	0.438 (11.1)	0.040 (1.0)
100	500	CD10FD101J03F	0.37 ( 9.4)	0.35 ( 8.9)	0.20 (5.1)	0.141 ( 3.6)	0.016 ( .4)
100	500	CD15FD101J03F	0.46 (11.7)	0.36 ( 9.1)	0.18 (4.6)	0.234 ( 5.9)	0.025 ( .6)
100	500	CD19FD101J03F	0.64 (16.3)	0.50 (12.7)	0.19 (4.8)	0.344 ( 8.7)	0.032 ( .8)

# Mica Capacitors, Standard Dipped

Types CD10, D10, CD15, CD19, CD30, CD42, CDV19, CDV30

Cap (pF)	Volts (Vdc)	Catalog Part Number	L (in) (mm)	H (in) (mm)	T (in) (mm)	S (in) (mm)	d (in) (mm)
100	1000	CDV19FF101J03F	0.64 (16.3)	0.50 (12.7)	0.19 (4.8)	0.344 ( 8.7)	0.032 ( .8)
100	1500	CDV30FH101J03F	0.77 (19.6)	0.85 (21.6)	0.25 (6.4)	0.438 (11.1)	0.040 (1.0)
100	2,000	CDV30FJ101J03F	0.77 (19.6)	0.86 (21.8)	0.25 (6.4)	0.438 (11.1)	0.040 (1.0)
100	2,500	CDV30FK101J03F	0.78 (19.8)	0.86 (21.8)	0.25 (6.4)	0.438 (11.1)	0.040 (1.0)
110	500	CD10FD111J03F	0.38 ( 9.7)	0.35 ( 8.9)	0.20 (5.1)	0.141 ( 3.6)	0.016 ( .4)
110	500	CD15FD111J03F	0.46 (11.7)	0.37 ( 9.4)	0.18 (4.6)	0.234 ( 5.9)	0.025 ( .6)
110	1000	CDV19FF111J03F	0.64 (16.3)	0.50 (12.7)	0.19 (4.8)	0.344 ( 8.7)	0.032 ( .8)
110	1500	CDV30FH111J03F	0.77 (19.6)	0.85 (21.6)	0.25 (6.4)	0.438 (11.1)	0.040 (1.0)
110	2,000	CDV30FJ111J03F	0.77 (19.6)	0.86 (21.8)	0.25 (6.4)	0.438 (11.1)	0.040 (1.0)
110	2,500	CDV30FK111J03F	0.78 (19.8)	0.86 (21.8)	0.25 (6.4)	0.438 (11.1)	0.040 (1.0)
120	500	CD10FD121J03F	0.38 ( 9.7)	0.35 ( 8.9)	0.20 (5.1)	0.141 ( 3.6)	0.016 ( .4)
120	500	CD15FD121J03F	0.46 (11.7)	0.37 ( 9.4)	0.18 (4.6)	0.234 ( 5.9)	0.025 ( .6)
120	500	CD19FD121J03F	0.64 (16.3)	0.50 (12.7)	0.19 (4.8)	0.344 ( 8.7)	0.032 ( .8)
120	1000	CDV19FF121J03F	0.64 (16.3)	0.50 (12.7)	0.19 (4.8)	0.344 ( 8.7)	0.032 ( .8)
120	1,500	CDV30FH121J03F	0.77 (19.6)	0.85 (21.6)	0.25 (6.4)	0.438 (11.1)	0.040 (1.0)
120	2,000	CDV30FJ121J03F	0.77 (19.6)	0.86 (21.8)	0.25 (6.4)	0.438 (11.1)	0.040 (1.0)
120	2,500	CDV30FK121J03F	0.78 (19.8)	0.86 (21.8)	0.25 (6.4)	0.438 (11.1)	0.040 (1.0)
130	500	CD10FD131J03F	0.38 ( 9.7)	0.36 ( 9.1)	0.20 (5.1)	0.141 ( 3.6)	0.016 ( .4)
130	500	CD15FD131J03F	0.46 (11.7)	0.37 ( 9.4)	0.18 (4.6)	0.234 ( 5.9)	0.025 ( .6)
130	1000	CDV19FF131J03F	0.64 (16.3)	0.50 (12.7)	0.19 (4.8)	0.344 ( 8.7)	0.032 ( .8)
130	1,500	CDV30FH131J03F	0.77 (19.6)	0.85 (21.6)	0.25 (6.4)	0.438 (11.1)	0.040 (1.0)
130	2,000	CDV30FJ131J03F	0.77 (19.6)	0.86 (21.8)	0.25 (6.4)	0.438 (11.1)	0.040 (1.0)
150	500	CD10FD151J03F	0.38 ( 9.7)	0.36 ( 9.1)	0.21 (5.3)	0.141 ( 3.6)	0.016 ( .4)
150	500	CD15FD151J03F	0.46 (11.7)	0.37 ( 9.4)	0.19 (4.8)	0.234 ( 5.9)	0.025 ( .6)
150	500	CD19FD151J03F	0.64 (16.3)	0.50 (12.7)	0.19 (4.8)	0.344 ( 8.7)	0.032 ( .8)
150	1000	CDV19FF151J03F	0.64 (16.3)	0.50 (12.7)	0.19 (4.8)	0.344 ( 8.7)	0.032 ( .8)
150	1,500	CDV30FH151J03F	0.77 (19.6)	0.85 (21.6)	0.25 (6.4)	0.438 (11.1)	0.040 (1.0)
150	2,000	CDV30FJ151J03F	0.77 (19.6)	0.86 (21.8)	0.25 (6.4)	0.438 (11.1)	0.040 (1.0)
160	500	CD10FD161J03F	0.38 ( 9.7)	0.36 ( 9.1)	0.21 (5.3)	0.141 ( 3.6)	0.016 ( .4)
160	500	CD15FD161J03F	0.46 (11.7)	0.37 ( 9.4)	0.19 (4.8)	0.234 ( 5.9)	0.025 ( .6)
160	1000	CDV19FF161J03F	0.64 (16.3)	0.50 (12.7)	0.19 (4.8)	0.344 ( 8.7)	0.032 ( .8)
160	1500	CDV30FH161J03F	0.77 (19.6)	0.85 (21.6)	0.25 (6.4)	0.438 (11.1)	0.040 (1.0)
160	2,000	CDV30FJ161J03F	0.77 (19.6)	0.86 (21.8)	0.25 (6.4)	0.438 (11.1)	0.040 (1.0)
180	500	CD10FD181J03F	0.39 ( 9.9)	0.37 ( 9.4)	0.21 (5.3)	0.141 ( 3.6)	0.016 ( .4)
180	500	CD15FD181J03F	0.46 (11.7)	0.37 ( 9.4)	0.19 (4.8)	0.234 ( 5.9)	0.025 ( .6)
180	500	CD19FD181J03F	0.64 (16.3)	0.50 (12.7)	0.19 (4.8)	0.344 ( 8.7)	0.032 ( .8)
180	1000	CDV19FF181J03F	0.64 (16.3)	0.50 (12.7)	0.19 (4.8)	0.344 ( 8.7)	0.032 ( .8)
180	1,500	CDV30FH181J03F	0.77 (19.6)	0.85 (21.6)	0.25 (6.4)	0.438 (11.1)	0.040 (1.0)
180	2,000	CDV30FJ181J03F	0.77 (19.6)	0.86 (21.8)	0.25 (6.4)	0.438 (11.1)	0.040 (1.0)
200	500	CD10FD201J03F	0.39 ( 9.9)	0.37 ( 9.4)	0.21 (5.3)	0.141 ( 3.6)	0.016 ( .4)
200	500	CD15FD201J03F	0.46 (11.7)	0.38 ( 9.7)	0.19 (4.8)	0.234 ( 5.9)	0.025 ( .6)
200	1000	CDV19FF201J03F	0.64 (16.3)	0.50 (12.7)	0.19 (4.8)	0.344 ( 8.7)	0.032 ( .8)
200	1500	CDV30FH201J03F	0.77 (19.6)	0.85 (21.6)	0.25 (6.4)	0.438 (11.1)	0.040 (1.0)

# Mica Capacitors, Standard Dipped

Types CD10, D10, CD15, CD19, CD30, CD42, CDV19, CDV30

Cap (pF)	Volts (Vdc)	Catalog Part Number	L (in) (mm)	H (in) (mm)	T (in) (mm)	S (in) (mm)	d (in) (mm)
200	2000	CDV30FJ201J03F	0.77 (19.6)	0.86 (21.8)	0.25 (6.4)	0.438 (11.1)	0.040 (1.0)
220	500	CD10FD221J03F	0.39 (9.9)	0.38 (9.7)	0.22 (5.6)	0.141 (3.6)	0.016 (.4)
220	500	CD15FD221J03F	0.46 (11.7)	0.38 (9.7)	0.20 (5.1)	0.234 (5.9)	0.025 (.6)
220	500	CD19FD221J03F	0.64 (16.3)	0.50 (12.7)	0.19 (4.8)	0.344 (8.7)	0.032 (.8)
220	1000	CDV19FF221J03F	0.64 (16.3)	0.50 (12.7)	0.19 (4.8)	0.344 (8.7)	0.032 (.8)
220	1500	CDV30FH221J03F	0.77 (19.6)	0.85 (21.6)	0.25 (6.4)	0.438 (11.1)	0.040 (1.0)
220	2000	CDV30FJ221J03F	0.77 (19.6)	0.86 (21.8)	0.25 (6.4)	0.438 (11.1)	0.040 (1.0)
240	500	CD10FD241J03F	0.39 (9.9)	0.38 (9.7)	0.22 (5.6)	0.141 (3.6)	0.016 (.4)
240	500	CD10FD241J03F	0.39 (9.9)	0.38 (9.7)	0.22 (5.6)	0.141 (3.6)	0.016 (.4)
240	500	CD15FD241J03F	0.46 (11.7)	0.38 (9.7)	0.20 (5.1)	0.234 (5.9)	0.025 (.6)
240	500	CD19FD241J03F	0.64 (16.3)	0.50 (12.7)	0.19 (4.8)	0.344 (8.7)	0.032 (.8)
240	1000	CDV19FF241J03F	0.64 (16.3)	0.50 (12.7)	0.19 (4.8)	0.344 (8.7)	0.032 (.8)
240	1,500	CDV30FH241J03F	0.77 (19.6)	0.85 (21.6)	0.25 (6.4)	0.438 (11.1)	0.040 (1.0)
240	2000	CDV30FJ241J03F	0.77 (19.6)	0.86 (21.8)	0.25 (6.4)	0.438 (11.1)	0.040 (1.0)
250	500	CD10FD251J03F	0.39 (9.9)	0.38 (9.7)	0.22 (5.6)	0.141 (3.6)	0.016 (.4)
250	500	CD15FD251J03F	0.47 (11.9)	0.39 (9.9)	0.21 (5.3)	0.234 (5.9)	0.025 (.6)
250	500	CD19FD251J03F	0.64 (16.3)	0.50 (12.7)	0.19 (4.8)	0.344 (8.7)	0.032 (.8)
270	300	CD10FC271J03F	0.39 (9.9)	0.38 (9.7)	0.22 (5.6)	0.141 (3.6)	0.016 (.4)
270	500	CD19FD271J03F	0.64 (16.3)	0.50 (12.7)	0.19 (4.8)	0.344 (8.7)	0.032 (.8)
270	500	D105F271J03F	0.39 (9.9)	0.38 (9.7)	0.22 (5.6)	0.141 (3.6)	0.016 (.4)
270	500	CD15FD271J03F	0.47 (11.9)	0.39 (9.9)	0.21 (5.3)	0.234 (5.9)	0.025 (.6)
270	1,000	CDV19FF271J03F	0.64 (16.3)	0.50 (12.7)	0.19 (4.8)	0.344 (8.7)	0.032 (.8)
270	1500	CDV30FH271J03F	0.77 (19.6)	0.85 (21.6)	0.25 (6.4)	0.438 (11.1)	0.040 (1.0)
270	2000	CDV30FJ271J03F	0.77 (19.6)	0.86 (21.8)	0.25 (6.4)	0.438 (11.1)	0.040 (1.0)
300	300	CD10FC301J03F	0.39 (9.9)	0.38 (9.7)	0.22 (5.6)	0.141 (3.6)	0.016 (.4)
300	500	D105F301J03F	0.39 (9.9)	0.38 (9.7)	0.22 (5.6)	0.141 (3.6)	0.016 (.4)
300	500	CD15FD301J03F	0.47 (11.9)	0.39 (9.9)	0.21 (5.3)	0.234 (5.9)	0.025 (.6)
300	500	CD19FD301J03F	0.64 (16.3)	0.50 (12.7)	0.19 (4.8)	0.344 (8.7)	0.032 (.8)
300	2000	CDV30FJ301J03F	0.77 (19.6)	0.86 (21.8)	0.25 (6.4)	0.438 (11.1)	0.040 (1.0)
330	100	CD10FA331J03F	0.39 (9.9)	0.37 (9.4)	0.22 (5.6)	0.141 (3.6)	0.016 (.4)
330	500	D105F331J03F	0.39 (9.9)	0.38 (9.7)	0.22 (5.6)	0.141 (3.6)	0.016 (.4)
330	500	CD15FD331J03F	0.47 (11.9)	0.39 (9.9)	0.21 (5.3)	0.234 (5.9)	0.025 (.6)
330	500	CD19FD331J03F	0.64 (16.3)	0.50 (12.7)	0.19 (4.8)	0.344 (8.7)	0.032 (.8)
330	2000	CDV30FJ331J03F	0.77 (19.6)	0.86 (21.8)	0.25 (6.4)	0.438 (11.1)	0.040 (1.0)
330	2,500	CDV30FK331J03F	0.78 (19.8)	0.87 (22.1)	0.25 (6.4)	0.438 (11.1)	0.040 (1.0)
360	100	CD10FA361J03F	0.39 (9.9)	0.38 (9.7)	0.22 (5.6)	0.141 (3.6)	0.016 (.4)
360	500	D105F361J03F	0.39 (9.9)	0.38 (9.7)	0.22 (5.6)	0.141 (3.6)	0.016 (.4)
360	500	CD15FD361J03F	0.47 (11.9)	0.39 (9.9)	0.21 (5.3)	0.234 (5.9)	0.025 (.6)
360	500	CD19FD361J03F	0.64 (16.3)	0.51 (13.0)	0.20 (5.1)	0.344 (8.7)	0.032 (.8)
390	100	CD10FA391J03F	0.39 (9.9)	0.38 (9.7)	0.22 (5.6)	0.141 (3.6)	0.016 (.4)
390	500	D105F391J03F	0.39 (9.9)	0.38 (9.7)	0.22 (5.6)	0.141 (3.6)	0.016 (.4)
390	500	CD15FD391J03F	0.47 (11.9)	0.39 (9.9)	0.21 (5.3)	0.234 (5.9)	0.025 (.6)
390	500	CD19FD391J03F	0.64 (16.3)	0.51 (13.0)	0.20 (5.1)	0.344 (8.7)	0.032 (.8)



# Mica Capacitors, Standard Dipped

Types CD10, D10, CD15, CD19, CD30, CD42, CDV19, CDV30

Cap (pF)	Volts (Vdc)	Catalog Part Number	L (in) (mm)	H (in) (mm)	T (in) (mm)	S (in) (mm)	d (in) (mm)
390	1000	CDV19FF391J03F	0.65 (16.5)	0.51 (13.0)	0.20 (5.1)	0.344 (8.7)	0.032 (.8)
390	1500	CDV30FH391J03F	0.77 (19.6)	0.85 (21.6)	0.25 (6.4)	0.438 (11.1)	0.040 (1.0)
400	100	CD10FA401J03F	0.39 (9.9)	0.38 (9.7)	0.22 (5.6)	0.141 (3.6)	0.016 (.4)
430	500	D105F431J03F	0.39 (9.9)	0.38 (9.7)	0.22 (5.6)	0.141 (3.6)	0.016 (.4)
430	500	CD15FD431J03F	0.47 (11.9)	0.39 (9.9)	0.21 (5.3)	0.234 (5.9)	0.025 (.6)
430	500	CD19FD431J03F	0.64 (16.3)	0.51 (13.0)	0.20 (5.1)	0.344 (8.7)	0.032 (.8)
430	1500	CDV30FH431J03F	0.77 (19.6)	0.85 (21.6)	0.25 (6.4)	0.438 (11.1)	0.040 (1.0)
470	500	D105F471J03F	0.39 (9.9)	0.38 (9.7)	0.22 (5.6)	0.141 (3.6)	0.016 (.4)
470	500	CD15FD471J03F	0.47 (11.9)	0.40 (10.2)	0.22 (5.6)	0.234 (5.9)	0.025 (.6)
470	500	CD19FD471J03F	0.64 (16.3)	0.51 (13.0)	0.20 (5.1)	0.344 (8.7)	0.032 (.8)
470	1500	CDV30FH471J03F	0.77 (19.6)	0.85 (21.6)	0.25 (6.4)	0.438 (11.1)	0.040 (1.0)
470	2000	CDV30FJ471J03F	0.77 (19.6)	0.87 (22.1)	0.26 (6.6)	0.438 (11.1)	0.040 (1.0)
470	2,500	CDV30FK471J03F	0.78 (19.8)	0.87 (22.1)	0.27 (6.9)	0.438 (11.1)	0.040 (1.0)
500	500	D105F501J03F	0.39 (9.9)	0.38 (9.7)	0.22 (5.6)	0.141 (3.6)	0.016 (.4)
500	500	CD15FD501J03F	0.47 (11.9)	0.40 (10.2)	0.22 (5.6)	0.234 (5.9)	0.025 (.6)
500	500	CD19FD501J03F	0.64 (16.3)	0.51 (13.0)	0.20 (5.1)	0.344 (8.7)	0.032 (.8)
500	1500	CDV30FH501J03F	0.77 (19.6)	0.85 (21.6)	0.25 (6.4)	0.438 (11.1)	0.040 (1.0)
500	2000	CDV30FJ501J03F	0.77 (19.6)	0.87 (22.1)	0.26 (6.6)	0.438 (11.1)	0.040 (1.0)
500	2,500	CDV30FK501J03F	0.78 (19.8)	0.87 (22.1)	0.27 (6.9)	0.438 (11.1)	0.040 (1.0)
510	500	D105F511J03F	0.39 (9.9)	0.38 (9.7)	0.22 (5.6)	0.141 (3.6)	0.016 (.4)
510	500	CD15FD511J03F	0.47 (11.9)	0.40 (10.2)	0.22 (5.6)	0.234 (5.9)	0.025 (.6)
510	500	CD19FD511J03F	0.65 (16.5)	0.51 (13.0)	0.20 (5.1)	0.344 (8.7)	0.032 (.8)
510	1500	CDV30FH511J03F	0.77 (19.6)	0.85 (21.6)	0.25 (6.4)	0.438 (11.1)	0.040 (1.0)
510	2000	CDV30FJ511J03F	0.77 (19.6)	0.87 (22.1)	0.26 (6.6)	0.438 (11.1)	0.040 (1.0)
510	2,500	CDV30FK511J03F	0.78 (19.8)	0.87 (22.1)	0.27 (6.9)	0.438 (11.1)	0.040 (1.0)
560	300	D103F561J03F	0.39 (9.9)	0.38 (9.7)	0.22 (5.6)	0.141 (3.6)	0.016 (.4)
560	300	CD15FC561J03F	0.46 (11.7)	0.38 (9.7)	0.21 (5.3)	0.234 (5.9)	0.025 (.6)
560	500	CD19FD561J03F	0.65 (16.5)	0.51 (13.0)	0.20 (5.1)	0.344 (8.7)	0.032 (.8)
560	1000	CDV19FF561J03F	0.65 (16.5)	0.51 (13.0)	0.21 (5.3)	0.344 (8.7)	0.032 (.8)
560	1500	CDV30FH561J03F	0.77 (19.6)	0.85 (21.6)	0.25 (6.4)	0.438 (11.1)	0.040 (1.0)
560	2000	CDV30FJ561J03F	0.77 (19.6)	0.87 (22.1)	0.26 (6.6)	0.438 (11.1)	0.040 (1.0)
560	2500	CDV30FK561J03F	0.78 (19.8)	0.87 (22.1)	0.27 (6.9)	0.438 (11.1)	0.040 (1.0)
620	300	D103F621J03F	0.39 (9.9)	0.38 (9.7)	0.22 (5.6)	0.141 (3.6)	0.016 (.4)
620	300	CD15FC621J03F	0.46 (11.7)	0.38 (9.7)	0.21 (5.3)	0.234 (5.9)	0.025 (.6)
620	500	CD19FD621J03F	0.65 (16.5)	0.51 (13.0)	0.20 (5.1)	0.344 (8.7)	0.032 (.8)
620	1500	CDV30FH621J03F	0.77 (19.6)	0.85 (21.6)	0.25 (6.4)	0.438 (11.1)	0.040 (1.0)
620	2000	CDV30FJ621J03F	0.77 (19.6)	0.87 (22.1)	0.26 (6.6)	0.438 (11.1)	0.040 (1.0)
620	2,500	CDV30FK621J03F	0.78 (19.8)	0.87 (22.1)	0.27 (6.9)	0.438 (11.1)	0.040 (1.0)
680	300	D103F681J03F	0.39 (9.9)	0.38 (9.7)	0.22 (5.6)	0.141 (3.6)	0.016 (.4)
680	300	CD15FC681J03F	0.47 (11.9)	0.39 (9.9)	0.21 (5.3)	0.234 (5.9)	0.025 (.6)
680	500	CD19FD681J03F	0.65 (16.5)	0.51 (13.0)	0.21 (5.3)	0.344 (8.7)	0.032 (.8)
680	1000	CDV19FF681J03F	0.66 (16.8)	0.52 (13.2)	0.22 (5.6)	0.344 (8.7)	0.032 (.8)
680	1500	CDV30FH681J03F	0.77 (19.6)	0.85 (21.6)	0.25 (6.4)	0.438 (11.1)	0.040 (1.0)

# Mica Capacitors, Standard Dipped

Types CD10, D10, CD15, CD19, CD30, CD42, CDV19, CDV30

Cap (pF)	Volts (Vdc)	Catalog Part Number	L (in) (mm)	H (in) (mm)	T (in) (mm)	S (in) (mm)	d (in) (mm)
680	2000	CDV30FJ681J03F	0.77 (19.6)	0.87 (22.1)	0.26 (6.6)	0.438 (11.1)	0.040 (1.0)
680	2500	CDV30FK681J03F	0.78 (19.8)	0.87 (22.1)	0.27 (6.9)	0.438 (11.1)	0.040 (1.0)
750	300	D103F751J03F	0.39 (9.9)	0.38 (9.7)	0.22 (5.6)	0.141 (3.6)	0.016 (.4)
750	300	CD15FC751J03F	0.47 (11.9)	0.39 (9.9)	0.21 (5.3)	0.234 (5.9)	0.025 (.6)
750	500	CD19FD751J03F	0.65 (16.5)	0.51 (13.0)	0.21 (5.3)	0.344 (8.7)	0.032 (.8)
750	1500	CDV30FH751J03F	0.77 (19.6)	0.85 (21.6)	0.25 (6.4)	0.438 (11.1)	0.040 (1.0)
750	2000	CDV30FJ751J03F	0.77 (19.6)	0.87 (22.1)	0.26 (6.6)	0.438 (11.1)	0.040 (1.0)
750	2500	CDV30FK751J03F	0.78 (19.8)	0.87 (22.1)	0.27 (6.9)	0.438 (11.1)	0.040 (1.0)
820	300	D103F821J03F	0.39 (9.9)	0.38 (9.7)	0.22 (5.6)	0.141 (3.6)	0.016 (.4)
820	300	CD15FC821J03F	0.47 (11.9)	0.39 (9.9)	0.21 (5.3)	0.234 (5.9)	0.025 (.6)
820	500	CD19FD821J03F	0.65 (16.5)	0.51 (13.0)	0.21 (5.3)	0.344 (8.7)	0.032 (.8)
820	1000	CDV19FF821J03F	0.66 (16.8)	0.53 (13.5)	0.23 (5.8)	0.344 (8.7)	0.032 (.8)
820	1,500	CDV30FH821J03F	0.77 (19.6)	0.85 (21.6)	0.25 (6.4)	0.438 (11.1)	0.040 (1.0)
820	2000	CDV30FJ821J03F	0.77 (19.6)	0.87 (22.1)	0.26 (6.6)	0.438 (11.1)	0.040 (1.0)
820	2500	CDV30FK821J03F	0.78 (19.8)	0.87 (22.1)	0.27 (6.9)	0.438 (11.1)	0.040 (1.0)
910	100	D101F911J03F	0.39 (9.9)	0.38 (9.7)	0.22 (5.6)	0.141 (3.6)	0.016 (.4)
910	100	CD15FA911J03F	0.47 (11.9)	0.40 (10.2)	0.22 (5.6)	0.234 (5.9)	0.025 (.6)
910	500	CD19FD911J03F	0.65 (16.5)	0.51 (13.0)	0.21 (5.3)	0.344 (8.7)	0.032 (.8)
910	1,000	CDV19FF911J03F	0.67 (17.0)	0.53 (13.5)	0.24 (6.1)	0.344 (8.7)	0.032 (.8)
910	1500	CDV30FH911J03F	0.77 (19.6)	0.85 (21.6)	0.25 (6.4)	0.438 (11.1)	0.040 (1.0)
910	2000	CDV30FJ911J03F	0.78 (19.8)	0.88 (22.4)	0.28 (7.1)	0.438 (11.1)	0.040 (1.0)
910	2,500	CDV30FK911J03F	0.78 (19.8)	0.87 (22.1)	0.29 (7.4)	0.438 (11.1)	0.040 (1.0)
1000	100	D101F102J03F	0.39 (9.9)	0.38 (9.7)	0.22 (5.6)	0.141 (3.6)	0.016 (.4)
1000	100	CD15FA102J03F	0.48 (12.2)	0.40 (10.2)	0.23 (5.8)	0.234 (5.9)	0.025 (.6)
1000	500	CD19FD102J03F	0.65 (16.5)	0.52 (13.2)	0.22 (5.6)	0.344 (8.7)	0.032 (.8)
1000	1000	CDV19FF102J03F	0.67 (17.0)	0.53 (13.5)	0.25 (6.4)	0.344 (9.7)	0.032 (.8)
1000	1500	CDV30FH102J03F	0.77 (19.6)	0.86 (21.8)	0.26 (6.6)	0.438 (11.1)	0.040 (1.0)
1000	2000	CDV30FJ102J03F	0.78 (19.8)	0.88 (22.4)	0.28 (7.1)	0.438 (11.1)	0.040 (1.0)
1000	2500	CDV30FK102J03F	0.79 (20.1)	0.88 (22.4)	0.31 (7.9)	0.438 (11.1)	0.040 (1.0)
1100	100	D101F112J03F	0.39 (9.9)	0.38 (9.7)	0.22 (5.6)	0.141 (3.6)	0.016 (.4)
1100	100	CD15FA112J03F	0.49 (12.4)	0.42 (10.7)	0.24 (6.1)	0.234 (5.9)	0.025 (.6)
1100	500	CD19FD112J03F	0.65 (16.5)	0.52 (13.2)	0.22 (5.6)	0.344 (8.7)	0.032 (.8)
1100	1000	CDV19FF112J03F	0.67 (17.0)	0.53 (13.5)	0.25 (6.4)	0.344 (8.7)	0.032 (.8)
1100	1500	CDV30FH112J03F	0.77 (19.6)	0.86 (21.8)	0.26 (6.6)	0.438 (11.1)	0.040 (1.0)
1200	100	D101F122J03F	0.39 (9.9)	0.38 (9.7)	0.22 (5.6)	0.141 (3.6)	0.016 (.4)
1200	100	CD15FA122J03F	0.49 (12.4)	0.42 (10.7)	0.24 (6.1)	0.234 (5.9)	0.025 (.6)
1200	500	CD19FD122J03F	0.66 (16.8)	0.52 (13.2)	0.22 (5.6)	0.344 (8.7)	0.032 (.8)
1200	1,500	CDV30FH122J03F	0.77 (19.6)	0.86 (21.8)	0.26 (6.6)	0.438 (11.1)	0.040 (1.0)
1200	2000	CDV30FJ122J03F	0.78 (19.8)	0.88 (22.4)	0.28 (7.1)	0.438 (11.1)	0.040 (1.0)
1200	2500	CDV30FK122J03F	0.79 (20.1)	0.88 (22.4)	0.31 (7.9)	0.438 (11.1)	0.040 (1.0)
1300	100	D101F132J03F	0.39 (9.9)	0.38 (9.7)	0.22 (5.6)	0.141 (3.6)	0.016 (.4)
1300	500	CD19FD132J03F	0.66 (16.8)	0.52 (13.2)	0.22 (5.6)	0.344 (8.7)	0.032 (.8)
1300	1000	CDV19FF132J03F	0.67 (17.0)	0.54 (13.7)	0.26 (6.6)	0.344 (8.7)	0.032 (.8)



# Mica Capacitors, Standard Dipped

Types CD10, D10, CD15, CD19, CD30, CD42, CDV19, CDV30

Cap (pF)	Volts (Vdc)	Catalog Part Number	L (in) (mm)	H (in) (mm)	T (in) (mm)	S (in) (mm)	d (in) (mm)
1300	1500	CDV30FH132J03F	0.78 (19.8)	0.87 (22.1)	0.27 (6.9)	0.438 (11.1)	0.040 (1.0)
1300	2000	CDV30FJ132J03F	0.78 (19.8)	0.88 (22.4)	0.30 (7.6)	0.438 (11.1)	0.040 (1.0)
1300	2500	CDV30FK132J03F	0.80 (20.3)	0.89 (22.6)	0.33 (8.4)	0.438 (11.1)	0.040 (1.0)
1500	100	D101F152J03F	0.39 (9.9)	0.38 (9.7)	0.22 (5.6)	0.141 (3.6)	0.016 (.4)
1500	100	CD15FA152J03F	0.50 (12.7)	0.43 (10.9)	0.25 (6.4)	0.234 (5.9)	0.025 (.6)
1500	500	CD19FD152J03F	0.66 (16.8)	0.52 (13.2)	0.23 (5.8)	0.344 (8.7)	0.032 (.8)
1500	1000	CDV19FF152J03F	0.68 (17.3)	0.54 (13.7)	0.27 (6.9)	0.344 (8.7)	0.032 (.8)
1500	1500	CDV30FH152J03F	0.78 (19.8)	0.87 (22.1)	0.28 (7.1)	0.438 (11.1)	0.040 (1.0)
1500	2000	CDV30FJ152J03F	0.79 (20.1)	0.89 (22.6)	0.32 (8.1)	0.438 (11.1)	0.040 (1.0)
1500	2,500	CDV30FK152J03F	0.80 (20.3)	0.89 (22.6)	0.35 (8.9)	0.438 (11.1)	0.040 (1.0)
1600	500	CD19FD162J03F	0.66 (16.8)	0.53 (13.5)	0.23 (5.8)	0.344 (8.7)	0.032 (.8)
1600	1000	CDV19FF162J03F	0.68 (17.3)	0.55 (14.0)	0.28 (7.1)	0.344 (8.7)	0.032 (.8)
1600	1,500	CDV30FH162J03F	0.78 (19.8)	0.87 (22.1)	0.28 (7.1)	0.438 (11.1)	0.040 (1.0)
1600	2000	CDV30FJ162J03F	0.79 (20.1)	0.89 (22.6)	0.32 (8.1)	0.438 (11.1)	0.040 (1.0)
1600	2500	CDV30FK162J03F	0.80 (20.3)	0.89 (22.6)	0.35 (8.9)	0.438 (11.1)	0.040 (1.0)
1800	500	CD19FD182J03F	0.67 (17.0)	0.53 (13.5)	0.24 (6.1)	0.344 (8.7)	0.032 (.8)
1800	1000	CDV19FF182J03F	0.68 (17.3)	0.55 (14.0)	0.29 (7.4)	0.344 (8.7)	0.032 (.8)
1800	1500	CDV30FH182J03F	0.78 (19.8)	0.87 (22.1)	0.29 (7.4)	0.438 (11.1)	0.040 (1.0)
1800	2,000	CDV30FJ182J03F	0.79 (20.1)	0.89 (22.6)	0.34 (8.6)	0.438 (11.1)	0.040 (1.0)
1800	2500	CDV30FK182J03F	0.81 (20.6)	0.90 (22.9)	0.37 (9.4)	0.438 (11.1)	0.040 (1.0)
2000	500	CD19FD202J03F	0.67 (17.0)	0.53 (13.5)	0.24 (6.1)	0.344 (8.7)	0.032 (.8)
2000	500	CD30FD202J03F	0.77 (19.6)	0.85 (21.6)	0.24 (6.1)	0.438 (11.1)	0.040 (1.0)
2000	1000	CDV19FF202J03F	0.68 (17.3)	0.56 (14.2)	0.30 (7.6)	0.344 (8.7)	0.032 (.8)
2000	1500	CDV30FH202J03F	0.78 (19.8)	0.87 (22.1)	0.30 (7.6)	0.438 (11.1)	0.040 (1.0)
2100	2,000	CDV30FJ212J03F	0.80 (20.3)	0.90 (22.9)	0.36 (9.1)	0.438 (11.1)	0.040 (1.0)
2100	2500	CDV30FK212J03F	0.82 (20.8)	0.91 (23.1)	0.39(9.9)	0.438 (11.1)	0.040 (1.0)
2200	500	CD19FD222J03F	0.67 (17.0)	0.53 (13.5)	0.25(6.4)	0.344 (8.7)	0.032 (.8)
2200	500	CD30FD222J03F	0.77 (19.6)	0.85 (21.6)	0.25(6.4)	0.438 (11.1)	0.040 (1.0)
2200	1000	CDV19FF222J03F	0.69 (17.5)	0.56 (14.2)	0.31(7.9)	0.344 (8.7)	0.032 (.8)
2200	1500	CDV30FH222J03F	0.79 (20.1)	0.88 (22.4)	0.31(7.9)	0.438 (11.1)	0.040 (1.0)
2400	500	CD19FD242J03F	0.67 (17.0)	0.54 (13.7)	0.26(6.6)	0.344 (8.7)	0.032 (.8)
2400	500	CD30FD242J03F	0.77 (19.6)	0.85 (21.6)	0.25(6.4)	0.438 (11.1)	0.040 (1.0)
2400	1000	CDV19FF242J03F	0.69 (17.5)	0.57 (14.5)	0.32(8.1)	0.344 (8.7)	0.032 (.8)
2400	1500	CDV30FH242J03F	0.79 (20.1)	0.88 (22.4)	0.32(8.1)	0.438 (11.1)	0.040 (1.0)
2400	2,000	CDV30FJ242J03F	0.80 (20.3)	0.90 (22.9)	0.38(9.7)	0.438 (11.1)	0.040 (1.0)
2400	2500	CDV30FK242J03F	0.82 (20.8)	0.91 (23.1)	0.42(10.7)	0.438 (11.1)	0.040 (1.0)
2500	500	CD19FD252J03F	0.68 (17.3)	0.54 (13.7)	0.26(6.6)	0.344 (8.7)	0.032 (.8)
2500	500	CD30FD252J03F	0.77 (19.6)	0.85 (21.6)	0.25(6.4)	0.438 (11.1)	0.040 (1.0)
2500	1500	CDV30FH252J03F	0.79 (20.1)	0.88 (22.4)	0.32(8.1)	0.438 (11.1)	0.040 (1.0)
2500	2000	CDV30FJ252J03F	0.80 (20.3)	0.90 (22.9)	0.38(9.7)	0.438 (11.1)	0.040 (1.0)
2500	2,500	CDV30FK252J03F	0.82 (20.8)	0.91 (23.1)	0.42(10.7)	0.438 (11.1)	0.040 (1.0)
2700	500	CD19FD272J03F	0.68 (17.3)	0.54 (13.7)	0.27(6.9)	0.344 (8.7)	0.032 (.8)
2700	500	CD30FD272J03F	0.77 (19.6)	0.85 (21.6)	0.25(6.4)	0.438 (11.1)	0.040 (1.0)

# Mica Capacitors, Standard Dipped

Types CD10, D10, CD15, CD19, CD30, CD42, CDV19, CDV30

Cap (pF)	Volts (Vdc)	Catalog Part Number	L (in) (mm)	H (in) (mm)	T (in) (mm)	S (in) (mm)	d (in) (mm)
2700	1000	CDV19FF272J03F	0.70 (17.8)	0.57 (14.5)	0.34( 8.6)	0.344 ( 8.7)	0.032 ( .8)
2700	1500	CDV30FH272J03F	0.79 (20.1)	0.88 (22.4)	0.33( 8.4)	0.438 (11.1)	0.040 (1.0)
2700	2000	CDV30FJ272J03F	0.81 (20.6)	0.91 (23.1)	0.40(10.2)	0.438 (11.1)	0.040 (1.0)
2700	2500	CDV30FK272J03F	0.83 (21.1)	0.92 (23.4)	0.45(11.4)	0.438 (11.1)	0.040 (1.0)
3000	500	CD19FD302J03F	0.68 (17.3)	0.55 (14.0)	0.28( 7.1)	0.344 ( 8.7)	0.032 ( .8)
3000	500	CD30FD302J03F	0.77 (19.6)	0.86 (21.8)	0.25( 6.4)	0.438 (11.1)	0.040 (1.0)
3000	1000	CDV19FF302J03F	0.71 (18.0)	0.58 (14.7)	0.36( 9.1)	0.344 ( 8.7)	0.032 ( .8)
3000	1500	CDV30FH302J03F	0.80 (20.3)	0.89 (22.6)	0.34( 8.6)	0.438 (11.1)	0.040 (1.0)
3000	2000	CDV30FJ302J03F	0.81 (20.6)	0.91 (23.1)	0.42(10.7)	0.438 (11.1)	0.040 (1.0)
3000	2,500	CDV30FK302J03F	0.84 (21.3)	0.93 (23.6)	0.48(12.2)	0.438 (11.1)	0.040 (1.0)
3300	500	CD19FD332J03F	0.68 (17.3)	0.55 (14.0)	0.29( 7.4)	0.344 ( 8.7)	0.032 ( .8)
3300	500	CD30FD332J03F	0.77 (19.6)	0.86 (21.8)	0.25( 6.4)	0.438 (11.1)	0.040 (1.0)
3300	1,000	CDV19FF332J03F	0.72 (18.3)	0.59 (15.0)	0.38( 9.7)	0.344 ( 8.7)	0.032 ( .8)
3300	1500	CDV30FH332J03F	0.80 (20.3)	0.89 (22.6)	0.35( 8.9)	0.438 (11.1)	0.040 (1.0)
3300	2000	CDV30FJ332J03F	0.82 (20.8)	0.92 (23.4)	0.44(11.2)	0.438 (11.1)	0.040 (1.0)
3600	500	CD19FD362J03F	0.68 (17.3)	0.56 (14.2)	0.30( 7.6)	0.344 ( 8.7)	0.032 ( .8)
3600	500	CD30FD362J03F	0.77 (19.6)	0.86 (21.8)	0.26( 6.6)	0.438 (11.1)	0.040 (1.0)
3600	1000	CDV19FF362J03F	0.73 (18.5)	0.60 (15.2)	0.40(10.2)	0.344 ( 8.7)	0.032 ( .8)
3600	1,500	CDV30FH362J03F	0.80 (20.3)	0.89 (22.6)	0.35( 8.9)	0.438 (11.1)	0.040 (1.0)
3600	2000	CDV30FJ362J03F	0.82 (20.8)	0.92 (23.4)	0.44(11.2)	0.438 (11.1)	0.040 (1.0)
3900	500	CD19FD392J03F	0.69 (17.5)	0.56 (14.2)	0.31( 7.9)	0.344 ( 8.7)	0.032 ( .8)
3900	500	CD30FD392J03F	0.77 (19.6)	0.86 (21.8)	0.26( 6.6)	0.438 (11.1)	0.040 (1.0)
3900	1000	CDV19FF392J03F	0.74 (18.8)	0.61 (15.5)	0.42(10.7)	0.344 ( 8.7)	0.032 ( .8)
3900	1500	CDV30FH392J03F	0.80 (20.3)	0.89 (22.6)	0.36( 9.1)	0.438 (11.1)	0.040 (1.0)
3900	2,000	CDV30FJ392J03F	0.83 (21.1)	0.93 (23.6)	0.46(11.7)	0.438 (11.1)	0.040 (1.0)
4300	500	CD19FD432J03F	0.69 (17.5)	0.57 (14.5)	0.33( 8.4)	0.344 ( 8.7)	0.032 ( .8)
4300	500	CD30FD432J03F	0.78 (19.8)	0.86 (21.8)	0.27( 6.9)	0.438 (11.1)	0.040 (1.0)
4300	1000	CDV19FF432J03F	0.75 (19.1)	0.62 (15.7)	0.44(11.2)	0.344 ( 8.7)	0.032 ( .8)
4300	1500	CDV30FH432J03F	0.81 (20.6)	0.90 (22.9)	0.37( 9.4)	0.438 (11.1)	0.040 (1.0)
4300	2000	CDV30FJ432J03F	0.84 (21.3)	0.93 (23.6)	0.48(12.2)	0.438 (11.1)	0.040 (1.0)
4700	500	CD19FD472J03F	0.70 (17.8)	0.58 (14.7)	0.35( 8.9)	0.344 ( 8.7)	0.032 ( .8)
4700	500	CD30FD472J03F	0.78 (19.8)	0.86 (21.8)	0.27( 6.9)	0.438 (11.1)	0.040 (1.0)
4700	1000	CDV19FF472J03F	0.76 (19.3)	0.63 (16.0)	0.46(11.7)	0.344 ( 8.7)	0.032 ( .8)
4700	1500	CDV30FH472J03F	0.81 (20.6)	0.90 (22.9)	0.38( 9.7)	0.438 (11.1)	0.040 (1.0)
5000	500	CD19FD502J03F	0.71 (18.0)	0.59 (15.0)	0.37( 9.4)	0.344 ( 8.7)	0.032 ( .8)
5000	500	CD30FD502J03F	0.78 (19.8)	0.86 (21.8)	0.28( 7.1)	0.438 (11.1)	0.040 (1.0)
5000	1500	CDV30FH502J03F	0.81 (20.6)	0.90 (22.9)	0.38( 9.7)	0.438 (11.1)	0.040 (1.0)
5100	500	CD19FD512J03F	0.71 (18.0)	0.59 (15.0)	0.37( 9.4)	0.344 ( 8.7)	0.032 ( .8)
5100	500	CD30FD512J03F	0.78 (19.8)	0.86 (21.8)	0.28( 7.1)	0.438 (11.1)	0.040 (1.0)
5100	1000	CDV30FF512J03F	0.79 (20.1)	0.88 (22.4)	0.33( 8.4)	0.438 (11.1)	0.040 (1.0)
5100	1,500	CDV30FH512J03F	0.81 (20.6)	0.90 (22.9)	0.39( 9.9)	0.438 (11.1)	0.040 (1.0)
5600	300	CD19FC562J03F	0.68 (17.3)	0.56 (14.2)	0.31( 7.9)	0.344 ( 8.7)	0.032 ( .8)
5600	500	CD30FD562J03F	0.78 (19.8)	0.87 (22.1)	0.29( 7.4)	0.438 (11.1)	0.040 (1.0)

# Mica Capacitors, Standard Dipped

Types CD10, D10, CD15, CD19, CD30, CD42, CDV19, CDV30

Cap (pF)	Volts (Vdc)	Catalog Part Number	L (in) (mm)	H (in) (mm)	T (in) (mm)	S (in) (mm)	d (in) (mm)
5600	1000	CDV30FF562J03F	0.80 (20.3)	0.89 (22.6)	0.34( 8.6)	0.438 (11.1)	0.040 (1.0)
5600	1500	CDV30FH562J03F	0.82 (20.8)	0.91 (23.1)	0.40(10.2)	0.438 (11.1)	0.040 (1.0)
6200	300	CD19FC622J03F	0.69 (17.5)	0.56 (14.2)	0.32( 8.1)	0.344 ( 8.7)	0.032 ( .8)
6800	300	CD19FC682J03F	0.69 (17.5)	0.57 (14.5)	0.33( 8.4)	0.344 ( 8.7)	0.032 ( .8)
6200	500	CD30FD622J03F	0.78 (19.8)	0.87 (22.1)	0.29( 7.4)	0.438 (11.1)	0.040 (1.0)
6200	1000	CDV30FF622J03F	0.80 (20.3)	0.89 (22.6)	0.35( 8.9)	0.438 (11.1)	0.040 (1.0)
6200	1500	CDV30FH622J03F	0.82 (20.8)	0.91 (23.1)	0.41(10.4)	0.438 (11.1)	0.040 (1.0)
6800	500	CD30FD682J03F	0.78 (19.8)	0.88 (22.4)	0.30( 7.6)	0.438 (11.1)	0.040 (1.0)
6800	1000	CDV30FF682J03F	0.80 (20.3)	0.89 (22.6)	0.36( 9.1)	0.438 (11.1)	0.040 (1.0)
6800	1,500	CDV30FH682J03F	0.83 (21.1)	0.92 (23.4)	0.42(10.7)	0.438 (11.1)	0.040 (1.0)
7500	100	CD19FA752J03F	0.70 (17.8)	0.57 (14.5)	0.34( 8.6)	0.344 ( 8.7)	0.032 ( .8)
7500	500	CD30FD752J03F	0.79 (20.1)	0.88 (22.4)	0.31( 7.9)	0.438 (11.1)	0.040 (1.0)
7500	1,000	CDV30FF752J03F	0.81 (20.6)	0.89 (22.6)	0.37( 9.4)	0.438 (11.1)	0.040 (1.0)
7500	1500	CDV30FH752J03F	0.83 (21.1)	0.92 (23.4)	0.42(10.7)	0.438 (11.1)	0.040 (1.0)
8200	100	CD19FA822J03F	0.70 (17.8)	0.58 (14.7)	0.35( 8.9)	0.344 ( 8.7)	0.032 ( .8)
8200	500	CD30FD822J03F	0.79 (20.1)	0.88 (22.4)	0.32( 8.1)	0.438 (11.1)	0.040 (1.0)
8200	1000	CDV30FF822J03F	0.81 (20.6)	0.90 (22.9)	0.39( 9.9)	0.438 (11.1)	0.040 (1.0)
8200	1500	CDV30FH822J03F	0.84 (21.3)	0.93 (23.6)	0.46(11.7)	0.438 (11.1)	0.040 (1.0)
9100	100	CD19FA912J03F	0.71 (18.0)	0.59 (15.0)	0.36( 9.1)	0.344 ( 8.7)	0.032 ( .8)
9100	500	CD30FD912J03F	0.79 (20.1)	0.88 (22.4)	0.33( 8.4)	0.438 (11.1)	0.040 (1.0)
9100	1000	CDV30FF912J03F	0.82 (20.8)	0.90 (22.9)	0.41(10.4)	0.438 (11.1)	0.040 (1.0)
10000	100	CD19FA103J03F	0.72 (18.3)	0.60 (15.2)	0.37( 9.4)	0.344 ( 8.7)	0.032 ( .8)
10000	500	CD30FD103J03F	0.80 (20.3)	0.89 (22.6)	0.34( 8.6)	0.438 (11.1)	0.040 (1.0)
10000	1000	CDV30FF103J03F	0.82 (20.8)	0.91 (23.1)	0.42(10.7)	0.438 (11.1)	0.040 (1.0)
11000	500	CD30FD113J03F	0.80 (20.3)	0.89 (22.6)	0.35( 8.9)	0.438 (11.1)	0.040 (1.0)
11000	1000	CDV30FF113J03F	0.83 (21.1)	0.91 (23.1)	0.44(11.2)	0.438 (11.1)	0.040 (1.0)
12000	500	CD30FD123J03F	0.80 (20.3)	0.89 (22.6)	0.36( 9.1)	0.438 (11.1)	0.040 (1.0)
12000	1000	CDV30FF123J03F	0.83 (21.1)	0.92 (23.4)	0.46(11.7)	0.438 (11.1)	0.040 (1.0)
13000	500	CD30FD133J03F	0.81 (20.6)	0.89 (22.6)	0.37( 9.4)	0.438 (11.1)	0.040 (1.0)
13000	1000	CDV30FF133J03F	0.84 (21.3)	0.93 (23.6)	0.48(12.2)	0.438 (11.1)	0.040 (1.0)
15000	500	CD30FD153J03F	0.81 (20.6)	0.90 (22.9)	0.39( 9.9)	0.438 (11.1)	0.040 (1.0)
16000	500	CD30FD163J03F	0.82 (20.8)	0.90 (22.9)	0.41(10.4)	0.438 (11.1)	0.040 (1.0)
18000	500	CD30FD183J03F	0.82 (20.8)	0.91 (23.1)	0.43(10.9)	0.438 (11.1)	0.040 (1.0)
20000	500	CD30FD203J03F	0.83 (21.1)	0.92 (23.4)	0.45(11.4)	0.438 (11.1)	0.040 (1.0)
20000	500	CD42FD203J03F	1.42 (36.1)	0.87 (22.1)	0.30( 7.6)	1.063 (27.0)	0.040 (1.0)
22000	500	CD30FD223J03F	0.83 (21.1)	0.93 (23.6)	0.46(11.7)	0.438 (11.1)	0.040 (1.0)
22000	500	CD42FD223J03F	1.42 (36.1)	0.88 (22.4)	0.31( 7.9)	1.063 (27.0)	0.040 (1.0)
24000	300	CD30FC243J03F	0.82 (20.8)	0.90 (22.9)	0.41(10.4)	0.438 (11.1)	0.040 (1.0)
24000	500	CD42FD243J03F	1.43 (36.3)	0.88 (22.4)	0.32( 8.1)	1.063 (27.0)	0.040 (1.0)
25000	300	CD30FC253J03F	0.82 (20.8)	0.91 (23.1)	0.43(10.9)	0.438 (11.1)	0.040 (1.0)
25000	500	CD42FD253J03F	1.43 (36.3)	0.88 (22.4)	0.33( 8.4)	1.063 (27.0)	0.040 (1.0)
27000	300	CD30FC273J03F	0.82 (20.8)	0.91 (23.1)	0.43(10.9)	0.438 (11.1)	0.040 (1.0)
27000	500	CD42FD273J03F	1.43 (36.3)	0.88 (22.4)	0.33( 8.4)	1.063 (27.0)	0.040 (1.0)

# Mica Capacitors, Standard Dipped

Types CD10, D10, CD15, CD19, CD30, CD42, CDV19, CDV30

Cap (pF)	Volts (Vdc)	Catalog Part Number	L (in) (mm)	H (in) (mm)	T (in) (mm)	S (in) (mm)	d (in) (mm)
30000	300	CD30FC303J03F	0.83 (21.1)	0.92 (23.4)	0.46(11.7)	0.438 (11.1)	0.040 (1.0)
30000	500	CD42FD303J03F	1.44 (36.6)	0.89 (22.6)	0.35( 8.9)	1.063 (27.0)	0.040 (1.0)
33000	100	CD30FA333J03F	0.83 (21.1)	0.91 (23.1)	0.44(11.2)	0.438 (11.1)	0.040 (1.0)
33000	500	CD42FD333J03F	1.44 (36.6)	0.89 (22.6)	0.36( 9.1)	1.063 (27.0)	0.040 (1.0)
36000	100	CD30FA363J03F	0.83 (21.1)	0.92 (23.4)	0.45(11.4)	0.438 (11.1)	0.040 (1.0)
36000	500	CD42FD363J03F	1.45 (36.8)	0.90 (22.9)	0.38( 9.7)	1.063 (27.0)	0.040 (1.0)
39000	500	CD42FD393J03F	1.45 (36.8)	0.90 (22.9)	0.40(10.2)	1.063 (27.0)	0.040 (1.0)
40000	100	CD30FA403J03F	0.84 (21.3)	0.92 (23.4)	0.47(11.9)	0.438 (11.1)	0.040 (1.0)
43000	500	CD42FD433J03F	1.46 (37.1)	0.91 (23.1)	0.42(10.7)	1.063 (27.0)	0.040 (1.0)
47000	500	CD42FD473J03F	1.47 (37.3)	0.91 (23.1)	0.45(11.4)	1.063 (27.0)	0.040 (1.0)
50000	500	CD42FD503J03F	1.48 (37.6)	0.92 (23.4)	0.47(11.9)	1.063 (27.0)	0.040 (1.0)
51000	500	CD42FD513J03F	1.48 (37.6)	0.92 (23.4)	0.47(11.9)	1.063 (27.0)	0.040 (1.0)
56000	300	CD42FC563J03F	1.46 (37.1)	0.91 (23.1)	0.42(10.7)	1.063 (27.0)	0.040 (1.0)
62000	300	CD42FC623J03F	1.47 (37.3)	0.92 (23.4)	0.45(11.4)	1.063 (27.0)	0.040 (1.0)
68000	300	CD42FC683J03F	1.48 (37.6)	0.92 (23.4)	0.47(11.9)	1.063 (27.0)	0.040 (1.0)
75000	100	CD42FA753J03F	1.47 (37.3)	0.91 (23.1)	0.44(11.2)	1.063 (27.0)	0.040 (1.0)
82000	100	CD42FA823J03F	1.48 (37.6)	0.92 (23.4)	0.46(11.7)	1.063 (27.0)	0.040 (1.0)
91000	100	CD42FA913J03F	1.50 (38.1)	0.94 (23.9)	0.50(12.7)	1.063 (27.0)	0.040 (1.0)

**Notice and Disclaimer:** All product drawings, descriptions, specifications, statements, information and data (collectively, the "Information") in this datasheet or other publication are subject to change. The customer is responsible for checking, confirming and verifying the extent to which the Information contained in this datasheet or other publication is applicable to an order at the time the order is placed. All Information given herein is believed to be accurate and reliable, but it is presented without any guarantee, warranty, representation or responsibility of any kind, expressed or implied. Statements of suitability for certain applications are based on the knowledge that the Cornell Dubilier company providing such statements ("Cornell Dubilier") has of operating conditions that such Cornell Dubilier company regards as typical for such applications, but are not intended to constitute any guarantee, warranty or representation regarding any such matter – and Cornell Dubilier specifically and expressly disclaims any guarantee, warranty or representation concerning the suitability for a specific customer application, use, storage, transportation, or operating environment. The Information is intended for use only by customers who have the requisite experience and capability to determine the correct products for their application. Any technical advice inferred from this Information or otherwise provided by Cornell Dubilier with reference to the use of any Cornell Dubilier products is given gratis (unless otherwise specified by Cornell Dubilier), and Cornell Dubilier assumes no obligation or liability for the advice given or results obtained. Although Cornell Dubilier strives to apply the most stringent quality and safety standards regarding the design and manufacturing of its products, in light of the current state of the art, isolated component failures may still occur. Accordingly, customer applications which require a high degree of reliability or safety should employ suitable designs or other safeguards (such as installation of protective circuitry or redundancies or other appropriate protective measures) in order to ensure that the failure of an electrical component does not result in a risk of personal injury or property damage. Although all product-related warnings, cautions and notes must be observed, the customer should not assume that all safety measures are indicated in such warnings, cautions and notes, or that other safety measures may not be required.

## X-ON Electronics

Largest Supplier of Electrical and Electronic Components

*Click to view similar products for [Mica Capacitors](#) category:*

*Click to view products by [Cornell Dubilier](#) manufacturer:*

Other Similar products are found below :

[MIN02-002CC4R7D-F](#) [MIN02-002CC5R6D-F](#) [MIN02-002CC6R8D-F](#) [CDV30FJ471JO3F](#) [CD5EC390JO3](#) [CD10ED430GO3F](#)  
[CDV30FH102JO3F](#) [CDV30FK102FO3F](#) [293100B682JO0](#) [CDV30FH471GO3F](#) [MCM01-001CD200J-F](#) [MCM01-009EF121J-F](#) [MCM01-009ED351J-F](#) [MCM01-009ED101K-F](#) [MC08EA180J-TF](#) [CMR06F332JPDR](#) [CMR05F391FPDM](#) [CDV30FK121JO3F](#) [CDV30EK820JO3](#)  
[CDV30EK680JO3F](#) [CDV30EK500JO3F](#) [CDV18FF910JO3F](#) [CDA15CD150JO3](#) [CD30FD392JO3F](#) [CD19FD151JO3F](#) [CD16FD121JO3](#)  
[CD16FD471JO3F](#) [CD16FD681JO3](#) [CDA15FD181FO3](#) [CDV30EH330JO3](#) [29280B272JO0](#) [27250B202JO0](#) [29240B123JO0](#)  
[CD10CD020DO3](#) [CD10CD030DO3F](#) [CD10CD050DO3F](#) [CD10CD100DO3F](#) [CD10CD100JO3](#) [CD10CD100JO3F](#) [CD10CD150JO3F](#)  
[CD10CD180JO3F](#) [CD10ED200JO3](#) [CD10ED200JO3F](#) [CD10ED220JO3F](#) [CD10ED240JO3](#) [CD10ED300JO3](#) [CD10ED300JO3F](#)  
[CD10ED330GO3F](#) [CD10ED330JO3F](#) [CD10ED360JO3F](#)