



## MPXB225K305H

85/85 THB CONSTRUCTION

Parts are RoHS compliant

### ELECTRICAL SPECIFICATIONS

Capacitance: 2.2  $\mu$ F

Dissipation Factor: 0.0015 Max at 1000 Hz and 25°C

Temperature Coefficient: -200 PPM/°C: -100 PPM/°C, 100 PPM/°C

Ripple Current: at and

ESR: - at - and -

Self Inductance: 1 Nanohenries maximum per mm of pitch

dvd: 100 V/ $\mu$ s

Tolerance: -10 % , +10 %

Temperature Range: -40°C to +110°C

Above 110°C the rated (DC/AC) voltage must be derated at per N/A°C

WVDC: 630 Volts DC

SVDC: N/A Volts DC

VAC: 305 Volts AC

Terminal to Terminal Dielectric strength: 3.226 V times the rated AC voltage when applied between the terminals for 60 seconds

Terminal to case Dielectric strength: 6.613 VAC when applied between the terminals and case for 60 seconds

Insulation Resistance (Terminal to Terminal): 5000 MINIMUM after 100 Volts DC is applied for 60 seconds at 20°C

Insulation resistance (Terminal to Case): 30000 Megohms MINIMUM after 100 Volts DC is applied for 60 seconds at 20°C

Reliability: Load Life: 1000 hours at 110°C with 125% of rated voltage

Capacitance Change:  $\leq$ 5% of initially measured value

D.F. Change:  $\leq$ 150% of maximum specified value

I.R. Change:  $>$ 100% of minimum specified value

### PHYSICAL DIMENSIONS

Length (L): 32 mm, 1 mm

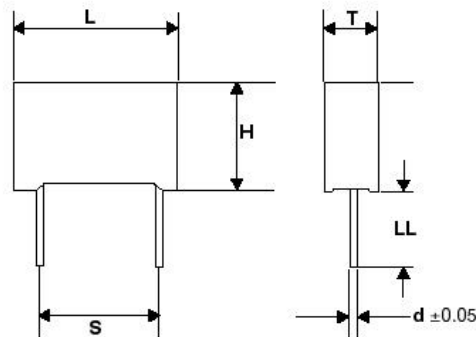
Height (H): 33 mm, +/-0.5 mm

Thickness (T): 18 mm, +/-0.5 mm

Lead Spacing (S): 27.5 mm, +/-0.5 mm

Lead Diameter (d): 0.8 mm, +/-0.1 mm

Lead Length (LL): 5mm, +/- MIN mm



2400 East Devon Avenue Suite 292 Des Plaines, IL 60018 (847) 675-1760 FAX (847) 673-2850

Illinois Capacitor (HK) Ltd., Tel: 85227930931, Fax: 85227930731, [www.ilcap.com.hk](http://www.ilcap.com.hk)

© Copyright 2020 Illinois Capacitor. An affiliate of Cornell Dubilier, All Rights Reserved

## X-ON Electronics

Largest Supplier of Electrical and Electronic Components

*Click to view similar products for [Film Capacitors](#) category:*

*Click to view products by [Cornell Dubilier](#) manufacturer:*

Other Similar products are found below :

[F450KG153J250ALH0J](#) [750-1018](#) [FKP1-1000160010P15](#) [FKP1-1500160010P15](#) [82EC1100DQ50K](#) [MMWAF150KME](#)  
[PFR5101J100J11L16.5TA18](#) [PME261JB5220KR19T0](#) [A521HH333M035C](#) [QXJ2E474KTPT](#) [QXL2B333KTPT](#) [QXM2G104K](#) [DMT2P22](#)  
[EEC2G505HQA406](#) [B32520C6332K000](#) [B32522C6104K000](#) [B32523Q3155J](#) [B32676E6755K](#) [C3B2AD44400B20K](#) [217-0716-001](#) [KP1830-](#)  
[247/061-G](#) [SCD105K122A3-22](#) [2N3155](#) [F601BL225K063CL60A](#) [FKP1-2202KV5P15](#) [FKS3-680040010P10](#) [445450-1](#) [B32523Q0475K000](#)  
[46KR415050M1K](#) [4BSNBX4100ZBFJ](#) [4DCNAQ4450ZA0J](#) [MKP383510063JKP2T0](#) [MKT 1813-368-015](#) [MKT182022263473](#) [4055292001](#)  
[WMC08P22](#) [WMF1S15](#) [WMF4S68](#) [EEC2E106HQA405](#) [EEC2G805HQA415](#) [82DC3100DQ50J](#) [82DC4100AA60K](#) [82EC2150DQ50K](#)  
[WMF4D68](#) [WMF1D68](#) [PHE841ED6150MR17T0](#) [B25620B118K883](#) [B25620B158K883](#) [66MD2100CK7AK](#) [97F8038](#)