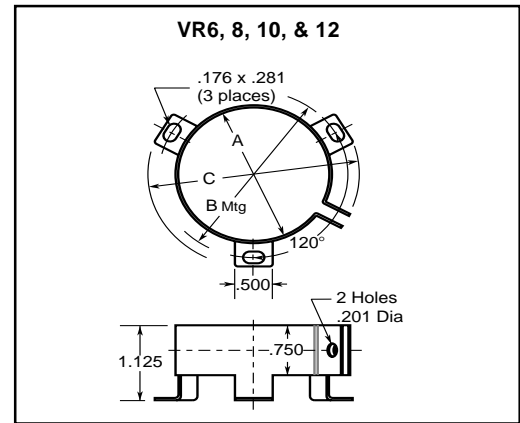
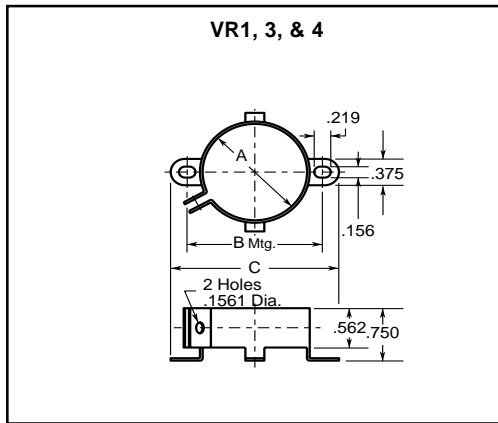


TYPE VR VERTICAL MOUNTING CLAMP



Diameter of Part to be Mounted	Catalog Number			Dimensions		
	Without Screw & Nut	Unassembled Screw & Nut Included	Assembled with Screw & Nut	A	B	C
1" to 1-1/16"	VR1B	VR1	VR1A	1"	1-7/16"	1-7/8**
1-3/8" to 1-7/16"	VR3B	VR3	VR3A	1-3/8"	1-25/32"	2-7/32"
1-1/2" to 1-9/16"	VR4B	VR4	VR4A	1-1/2"	1-15/16"	2-11/32"
1-3/4" to 1-13/16"	VR6B	VR6	VR6A	1-3/4"	2-1/4"	2-9/16"
2" to 2-1/16"	VR8B	VR8	VR8A	2"	2-1/2"	2-13/16"
2-1/2" to 2-9/16"	VR10B	VR10	VR10A	2-1/2"	3"	3-5/16"
3" to 3-1/8"	VR12B	VR12	VR12A	3"	3-7/16"	3-13/16"
Screw	VRSCREW	—	—	9/16" long 6-32 thread NC-2A		
Nut	VRNUT	—	—	Standard hex nut to fit screw		

NACC VR mounting clamps may be used to mount any cylindrical capacitor with a 1" to 3" diameter that is to be mounted in a vertical position. Material is 1010 CRS, commercial grade #4 temper ASI-scale. Parts are finished with .0001 (nominal) zinc chromate plating. Use for mounting CG types, PSU, HC/NP and MPD/MPF types. Material thickness is .035"

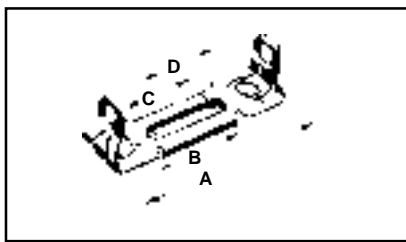


MOUNTING ACCESSORIES FOR PSU AND HC/NP TYPE CAPACITORS

Type HB Horizontal Mounting Bracket

EIA Case Code	Dimensions				Catalog Number
	A	B	C*	D	
1	3-3/8"	1-11/64"	7/8"	1.258	HB2
2-4-6	4-1/64"	1-13/16"	1-1/2"	1-37/64	HB4
3-5-7-8	5-1/64"	2-23/32"	1-25/32"	2-5/64"	HB8

HB brackets are used with PL or PLA end caps. The bracket is assembled to the motor or any suitable surface by two screws in line at any convenient position within the center-to-center dimension (C) shown in the chart.

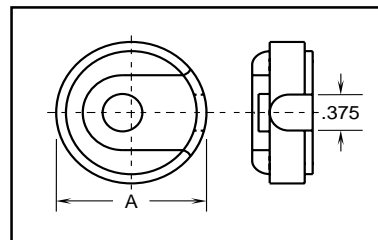


Material: .042 spring steel with black parkerized finish

*C dimension = max mounting hole center
Use 10-32" flat head screws

Type PL and PLA End Caps

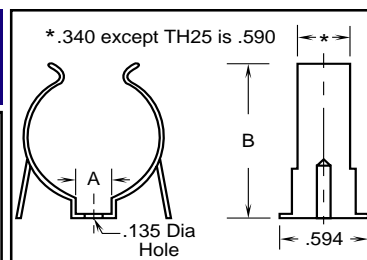
EIA Case Code	A Dimension	Catalog Number	
		Wire Hole Toward Bracket	Wire Hole Away From Bracket
1-2-3	1-7/16"	PL3	PLA3
4-5	1-13/16"	PL6	PLA6
6-7	2-1/16"	PL8	PLA8
8	2-9/16"	PL10	PLA10



PL and PLA end caps are usually used with HB type brackets. The drawing shown at left is type PL for use with the wiring through the bracket to the motor. For off motor mounting, use type PLA. See page 214 for a photo showing a capacitor and end cap mounted in a bracket.

TYPE TH HORIZONTAL MOUNTING CLIP

Nominal Diameter of Part to be Mounted	Dimensions		Catalog Number
	A	B	
.375	.250	.470	TH13
.500	.250	.620	TH15
.625	.312	.720	TH17
.750	.312	.890	TH19
.875	.312	1.000	TH21
1.000	.312	1.060	TH23
1.375	.312	1.500	TH25

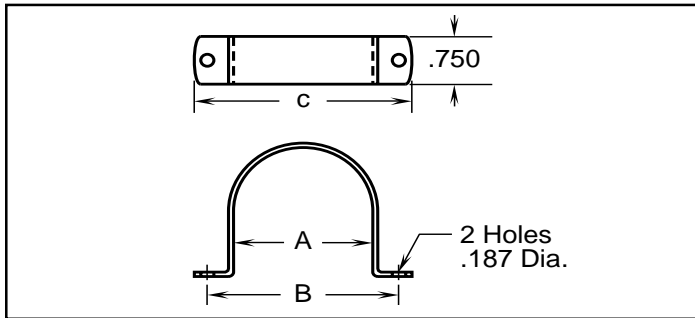


These clips, though designed for capacitors, have varied applications to retain many cylindrical components. They are used extensively in the electrical and electronic industries to hold spindles, condensers, capacitors, tubes, rods and conduit. Clips have phosphate and oil finish.

Material thickness TH13 thru TH17 is .016". TH19 thru TH25 is .020"

MOUNTING ACCESSORIES FOR AC TYPE CAPACITORS

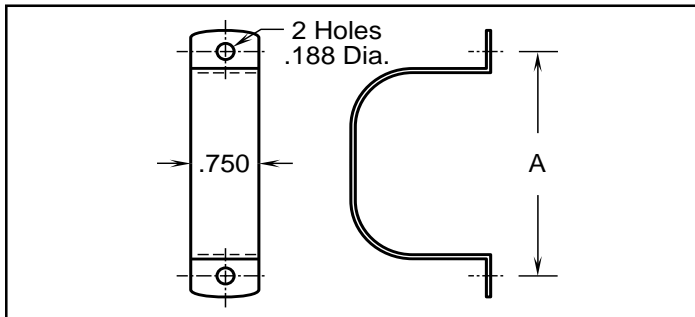
Type RB Cylindrical Capacitor Mounting Clamp



This clamp has a galvanized finish and is designed for use with the round base style motor run capacitor, types MPF. Material thickness is .035"

Base Style	Dimensions			Catalog Number
	A Nominal Diameter	B	C	
21	1.750	2.500	2.875	RB175
23	2.000	2.750	3.125	RB200
24	2.500	3.250	3.625	RB250
21	1.750	2.500	3.250	RB175A
23	2.000	2.750	3.500	RB200A
24	2.500	3.250	4.000	RB250A

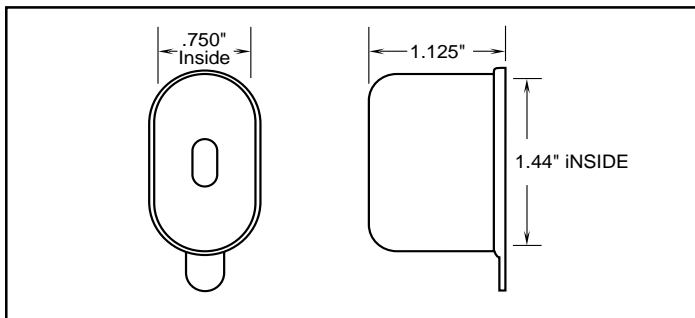
Type OB Oval Capacitor Mounting Clamp



This clamp has a galvanized finish and is designed for use with the flat oval base style AC capacitors, types MPF/MSF. Material thickness is .036"

Base Style	Dimensions		Catalog Number
	Base Size	A	
32	1-5/16" x 2-5/32"	2-9/16"	OB2
37	1-31/32" x 2-29/32"	3-5/16"	OB4
38	1-31/32" x 3-21/32"	4-1/16"	OB3

Neoprene Terminal Insulator



For use on capacitor types MPF/MSF, this neoprene terminal insulator, or 'boot', is used to insulate and protect the terminal area of single section units only. Material is classified 94V-1 when tested per UL94.

Order catalog number: **OC1**

ACR15KT Motor Start Resistor Kit



15K Ohm 2 watt bleeder resistors for AC motor start applications. Saves relay switch contacts and capacitor, particularly in capacitor start-run applications. 1/4" quick connect terminals eliminate need for soldering.

ACR15K:

Pack of 10, 15K Ohm 2 watt bleeder resistor without quick connect terminals.

ACR220KT Motor Run Resistor Kit



220K Ohm 1 watt bleeder resistors for AC motor run applications. Saves relay switch contacts and capacitor, particularly in capacitor start-run applications. 1/4" quick connect terminals eliminate need for soldering.

ACR220K:

Pack of 10, 220K Ohm 1 watt bleeder resistor without quick connect terminals.

X-ON Electronics

Largest Supplier of Electrical and Electronic Components

Click to view similar products for [Capacitor Hardware](#) category:

Click to view products by [Cornell Dubilier](#) manufacturer:

Other Similar products are found below :

[B44020B0002B030](#) [B44020J0006B012](#) [B44020J0007B012](#) [B44030J0036B000](#) [SG12000P](#) [FN322-3-05](#) [300-100-075](#) [31762-87](#)

[B44020A0002B025](#) [B44030J0051B000](#) [B44030J0064B000](#) [B44030J0090B000](#) [31762-45](#) [340-400](#) [4586-48](#) [B44020B0001B025](#)

[B44030A0051B000](#) [B44030A0036B000](#) [2353](#) [2788](#) [124586-0026A](#) [B44030A0064B000](#) [2785](#) [2789](#) [307-500](#) [31762-132](#) [31762-51](#) [32107-3](#)

[4586-97A](#) [125562-03](#) [VR1B](#) [VR3B](#) [VR6B](#) [VR6A](#) [VR4](#) [VR10B](#) [TH17](#) [32108-2](#) [2740](#) [302-200](#) [32107-1](#) [32107-2](#) [VR8](#) [VR4A](#) [VR1A](#) [2738](#)

[125562-02](#) [3896](#) [MAL804324041E3](#) [MAL804324031E3](#)