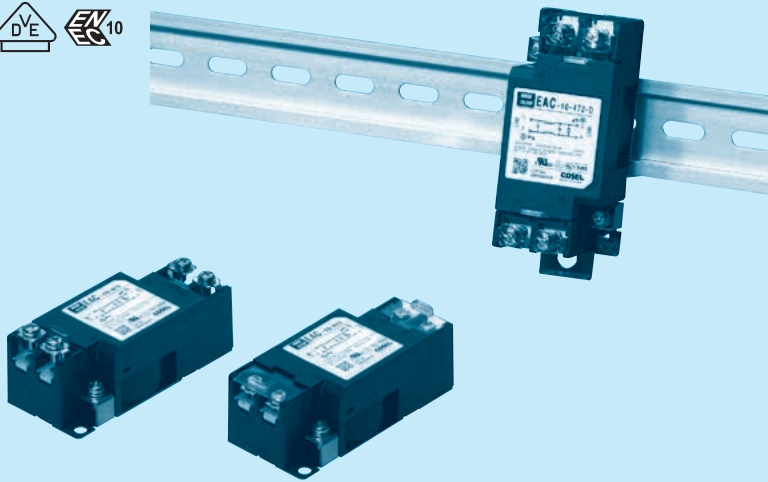


# EAC/EAM/EAP series

EAC -10 -472 -□

① ② ③ ④



The terminal cover is retracted inside the unit

DIN rail installation type is option

- ① Series Name
- ② Rated Current
- ③ Line to ground capacitor code: Refer to table 1.1.

table 1.1 Line to ground capacitor code

Code	E A C	E A M	E A P	Leakage Current (Input 125/250V 60Hz)	Line to ground capacitor (nominal value)
000	●	●	●	5 $\mu$ A / 10 $\mu$ A max	Not Provided
101	●	●	●	12.5 $\mu$ A / 25 $\mu$ A max	100pF
221	●	●	●	25 $\mu$ A / 50 $\mu$ A max	220pF
331	●	●	●	37.5 $\mu$ A / 75 $\mu$ A max	330pF
471	●	●	●	50 $\mu$ A / 100 $\mu$ A max	470pF
681	●	●	●	75.5 $\mu$ A / 150 $\mu$ A max	680pF
102	●	●	●	0.13mA / 0.25mA max	1,000pF
222	●	●	●	0.25mA / 0.5 mA max	2,200pF
332	●	●	●	0.38mA / 0.75mA max	3,300pF
472	●	●	●	0.5 mA / 1.0 mA max	4,700pF

\*When the line to ground capacitor code is different, the attenuation characteristic is different.

- ④ Option
- D: DIN rail installation type

\* The dimensions change when the option is set. Refer to External view.

## Features of EAC/EAM/EAP series

- Single Phase 250VAC (1-Stage filter)
  - Small size
  - Quick and easy push-down terminal
- Just connect the wires, push-down and tighten the screws with a screwdriver

■ EAC: Attenuation type from 150kHz to 1MHz

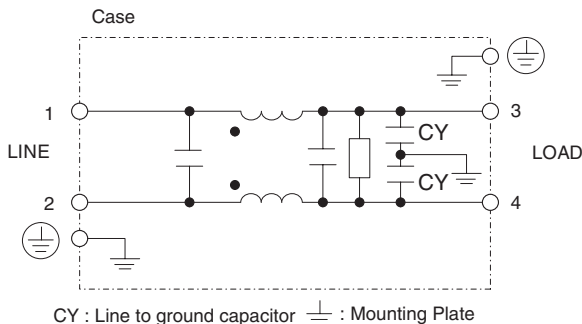
■ EAM: Low leakage current type

■ EAP: Outside impulse attenuation type

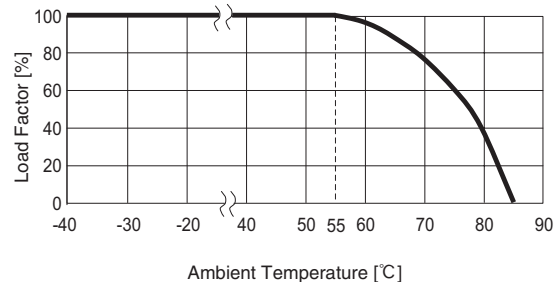
## Specifications

No.	Items	EAC-03-472	EAC-06-472	EAC-10-472	EAC-16-472	EAC-20-472	EAC-30-472
		EAM-03-000	EAM-06-000	EAM-10-000	EAM-16-000	EAM-20-000	EAM-30-000
		EAP-03-472	EAP-06-472	EAP-10-472	EAP-16-472	EAP-20-472	EAP-30-472
1	Rated Voltage[V]	AC 1 $\phi$ 250 / DC250					
2	Rated Current[A]	3	6	10	16	20	30
3	Test Voltage (Terminal-Mounting Plate)	2,500 VAC (Cutoff Current = 20mA), 1minute at room temperature and humidity					
4	Isolation Resistance (Terminal-Mounting Plate)	500 VDC 500M $\Omega$ min at room temperature and humidity					
5	Leakage current	Refer to table 1.1					
6	DC resistance	180m $\Omega$ max	110m $\Omega$ max	40m $\Omega$ max	20m $\Omega$ max	10m $\Omega$ max	6m $\Omega$ max
7	Safety agency approval temperatures	-25 to +85 $^{\circ}$ C (Refer to Derating Curve)					
8	Operating temperature	-40 to +85 $^{\circ}$ C (Refer to Derating Curve)					
9	Operating humidity	20 to 95%RH (Non condensing)					
10	Storage temperature/humidity	-40 to +85 $^{\circ}$ C/20 to 95%RH (Non condensing)					
11	Vibration	10 to 55Hz, 19.6m/s $^2$ (2G), 3min. Period, 1hour each X, Y and Z axis					
12	Impact	196.1m/s $^2$ (20G), 11ms Once each X, Y and Z axis					
13	Safety agency approvals	UL1283, CSA C22.2 No.8 (C-UL), DIN EN60939 VDE0565 Teil3-1, ENEC (At only AC input)					
14	Case size (without projection) /Weight	39 X 30 X 85 mm [1.54 X 1.18 X 3.35 inches] (W X H X D) /170g max (Option : -D refer to external view)					

## Circuit Diagram



## Derating Curve

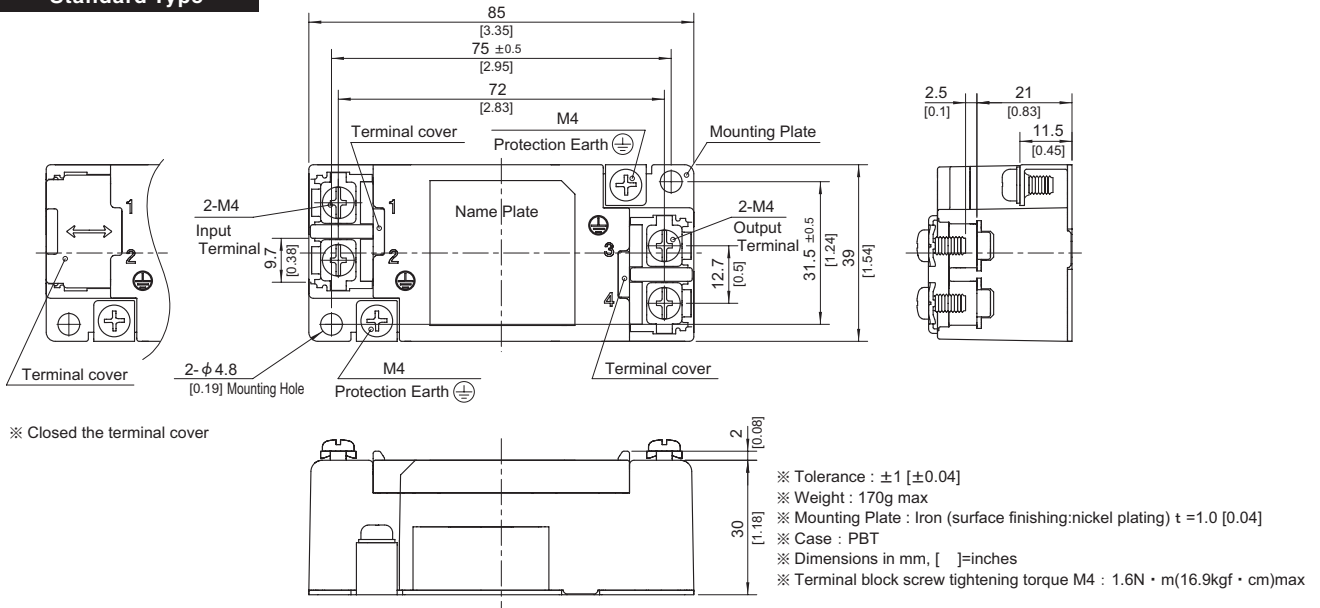


## External view

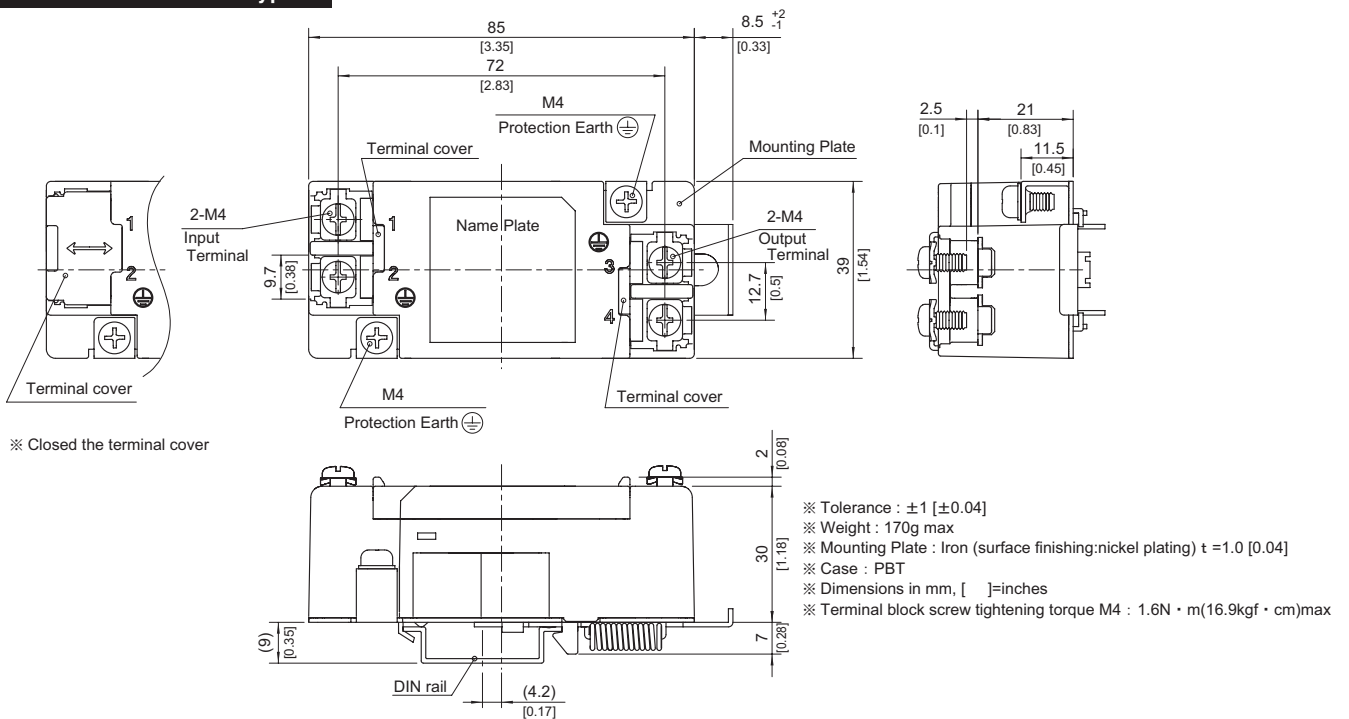
This product is shipped in the following condition, because it is equipped with push-down terminals.

- ① The terminal cover is retracted inside the unit.
- ② The screws for connecting the terminals are held in the up right position.

### Standard Type

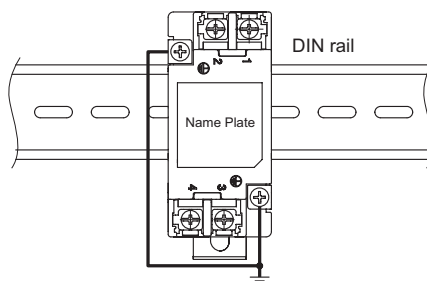


### DIN rail installation Type



### Note when installing the EMI/EMC Filter on a DIN rail.

When the EMI/EMC Filter is grounded through the DIN rail, the proper noise attenuation may not be achieved.  
Be sure to connect the protection earth (PE) of the EMI/EMC Filter body to the earth.  
At least one PE connection is required.



## X-ON Electronics

Largest Supplier of Electrical and Electronic Components

*Click to view similar products for [Power Line Filters](#) category:*

*Click to view products by [Cosel](#) manufacturer:*

Other Similar products are found below :

[6609019-3](#) [6609026-5](#) [6609030-6](#) [6609973-2](#) [D30A](#) [7-1609090-5](#) [F2810](#) [F4456A](#) [F7382Z](#) [F7863Z](#) [FAHAV3100ZC000](#) [806276](#) [FN2020B-1-06](#) [FN2080B-10-06](#) [FN2410H-32-33](#) [FN2410H-80-34](#) [FP144](#) [FS4153-20-06](#) [FS4353-500-99](#) [12-MMB-030-11-D](#) [DB4-393](#) [15811T200](#)  
[20B1](#) [LC630](#) [2B1](#) [1609080-2](#) [1609993-8](#) [1-6609070-1](#) [F1100AA02](#) [F1150CC10](#) [F1500CA10](#) [F1500CA15](#) [F4041Z](#) [F7585E](#) [1B1](#)  
[FN2070A-16-06](#) [FN2090A-20-06](#) [FN2090B-12-06](#) [FN2090Z-1-06](#) [FN2410H-25-33](#) [FN2410H-60-34](#) [FN2410H-8-44](#) [FN2412H-8-44](#)  
[FN323B-6-01](#) [FN610R-3-06](#) [20EHQ7](#) [20EHZ7](#) [20K1](#) [30B6](#) [3K1](#)