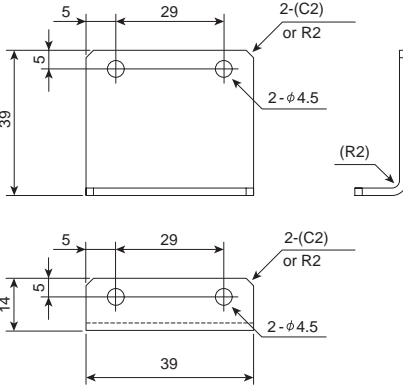
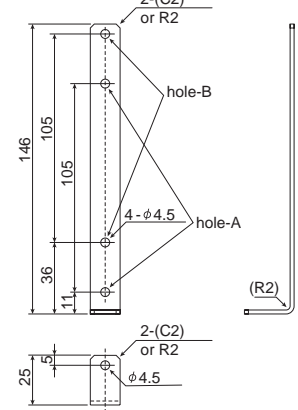
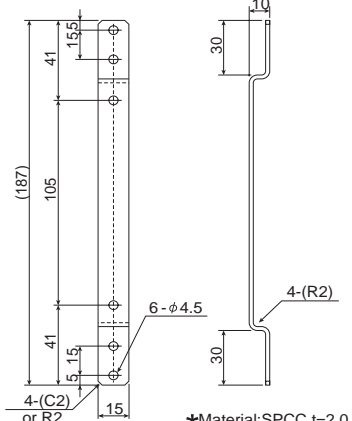
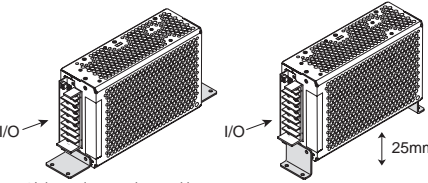
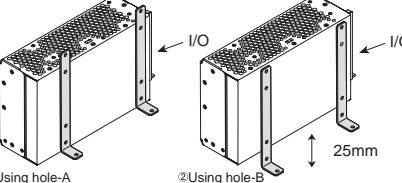
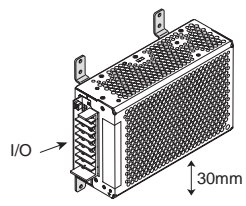
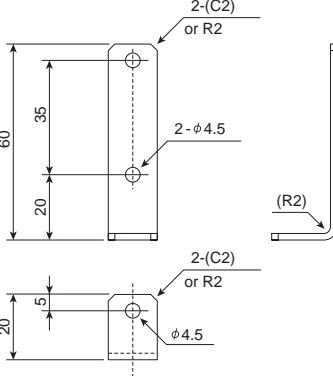
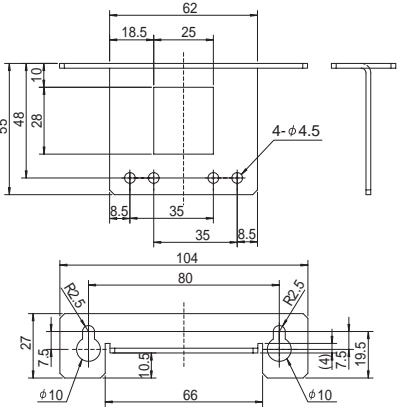
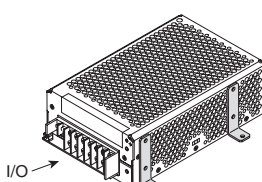
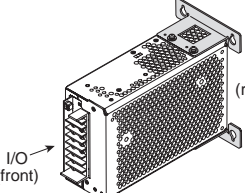


# ADA Series

Special attachment for installation of ADA Series is prepared.

Installation attachment type	Model
F-ADA-1	ADA Series
F-ADA-2	ADA Series
F-ADA-3	ADA Series
F-ADA-4	ADA Series
F-ADA-5	ADA600F

\*Refer to Instruction Manual 2.3 for installation A, B and C.

F-ADA-1	F-ADA-2	F-ADA-3
 <p style="text-align: center;">*Material:SPCC t=2.0</p>	 <p style="text-align: center;">*Material:SPCC t=2.0</p>	 <p style="text-align: center;">*Material:SPCC t=2.0</p>
 <p>①It is use in accordance with installation B.      ②It is use in accordance with installation A.</p>	 <p>①Using hole-A It is use in accordance with installation B.      ②Using hole-B It is use in accordance with installation A.</p>	 <p>It is possible to comply with installation A because the space is kept by 30mm.</p>
F-ADA-4	F-ADA-5	
 <p style="text-align: center;">*Material:SPCC t=2.0</p>	 <p style="text-align: center;">*Material:SPCC t=2.0</p>	
 <p>It is use in accordance with installation C. It is possible to comply with installation A or B when the power supply is vertically installed.</p>	 <p>It is possible to install from the rear, and to use from the front. (Only ADA600F)</p>	

Harness to use the function of ADA Series is prepared.

\* Please see the our company home page or consult us about detailed information.

# ADA Series

## Mating harness

Model	Harness model #	Contents
ADA Series	H-SN-23	:Harness for using option:-W and/or -R when I/O interface is terminal block type (standard).
	H-IN-11	:Input harness when I/O interface is connector type (option:-J).
	H-OU-26	:Output harness when I/O interface is connector type (option:-J).
	H-PA-5	:Harness for parallel operation when I/O interface is connector type (option:-J).
	H-RC-2	:Harness for using option:-R when I/O interface is connector type (option:-J).

●Model number  
**H-SN-23**

Housing : PHDR-14VS(J.S.T)  
Pin : SPHD-002T-P0.5(J.S.T)

●Type

●Wire

Pin #	Wire	AWG	Color	Length ℓ (mm)
1	UL1061	28	red	500
2	UL1061	28	black	500
3	-	-	-	-
4	-	-	-	-
5	-	-	-	-
6	-	-	-	-
7	-	-	-	-
8	-	-	-	-
9	UL1061	28	orange	500
10	UL1061	28	blue	500
11	-	-	-	-
12	-	-	-	-
13	UL1061	28	yellow	500
14	UL1061	28	black	500

\* Even number pin side of the connector is the same wiring as odd number pin side.

---

●Model number  
**H-IN-11**

Housing : 1-178129-6(AMP)  
Pin : 1-175218-5 equivalent goods(AMP)

●Type

●Wire

Pin #	Wire	AWG	Color	Length ℓ (mm)
B 1	UL1051	18	white	500
A 1	UL1051	18	white	500
B 2	-	-	-	-
A 2	-	-	-	-
B 3	UL1051	18	black	500
A 3	UL1051	18	black	500

---

●Model number  
**H-OU-26**

Housing : 178289-5(AMP)  
Pin : 1-353717-5 equivalent goods(AMP)

●Type

●Wire

Pin #	Wire	AWG	Color	Length ℓ (mm)
B 1	UL1007	16	red	500
A 1	UL1007	16	red	500
B 2	UL1007	16	red	500
A 2	UL1007	16	red	500
B 3	UL1007	16	red	500
A 3	UL1007	16	black	500
B 4	UL1007	16	black	500
A 4	UL1007	16	black	500
B 5	UL1007	16	black	500
A 5	UL1007	16	black	500

---

●Model number  
**H-PA-5**

Housing : 171822-2(AMP)  
Pin : 170204-2 equivalent goods(AMP)

●Type

●Wire

Pin #	Wire	AWG	Color	Length ℓ (mm)
1	UL1007	22	white	200
2	UL1007	22	black	200

---

●Model number  
**H-RC-2**

Housing : 171822-3(AMP)  
Pin : 170204-2 equivalent goods(AMP)

●Type

●Wire

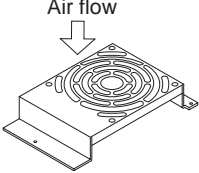
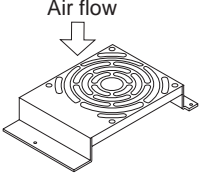
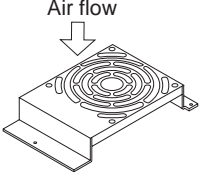
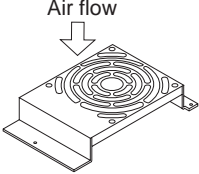
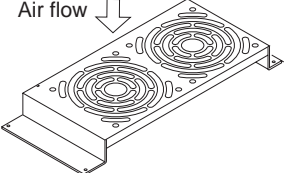
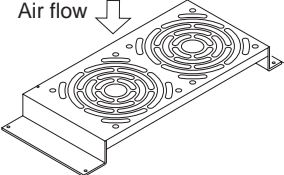
Pin #	Wire	AWG	Color	Length ℓ (mm)
1	UL1007	22	white	500
2	-	-	-	-
3	UL1007	22	red	500

Option

Option-33

Fan unit

ADA Series

Fan unit type	Matching model	External	Harness								
FAN-AD6-24	ADA600F-24		<table border="1"> <tr><th colspan="2">Wire</th></tr> <tr><th>Color</th><th>Content</th></tr> <tr><td>red</td><td>POWER</td></tr> <tr><td>black</td><td>GND</td></tr> </table>	Wire		Color	Content	red	POWER	black	GND
Wire											
Color	Content										
red	POWER										
black	GND										
FAN-AD6-48	ADA600F-30 ADA600F-36 ADA600F-48		<table border="1"> <tr><th colspan="2">Wire</th></tr> <tr><th>Color</th><th>Content</th></tr> <tr><td>red</td><td>POWER</td></tr> <tr><td>black</td><td>GND</td></tr> </table>	Wire		Color	Content	red	POWER	black	GND
Wire											
Color	Content										
red	POWER										
black	GND										
FAN-AD7-24	ADA750F-24		<table border="1"> <tr><th colspan="2">Wire</th></tr> <tr><th>Color</th><th>Content</th></tr> <tr><td>red</td><td>POWER</td></tr> <tr><td>black</td><td>GND</td></tr> </table>	Wire		Color	Content	red	POWER	black	GND
Wire											
Color	Content										
red	POWER										
black	GND										
FAN-AD7-48	ADA750F-30 ADA750F-36 ADA750F-48		<table border="1"> <tr><th colspan="2">Wire</th></tr> <tr><th>Color</th><th>Content</th></tr> <tr><td>red</td><td>POWER</td></tr> <tr><td>black</td><td>GND</td></tr> </table>	Wire		Color	Content	red	POWER	black	GND
Wire											
Color	Content										
red	POWER										
black	GND										
FAN-AD1-24	ADA1000F-24		<table border="1"> <tr><th colspan="2">Wire</th></tr> <tr><th>Color</th><th>Content</th></tr> <tr><td>red</td><td>POWER</td></tr> <tr><td>black</td><td>GND</td></tr> </table>	Wire		Color	Content	red	POWER	black	GND
Wire											
Color	Content										
red	POWER										
black	GND										
FAN-AD1-48	ADA1000F-30 ADA1000F-36 ADA1000F-48		<table border="1"> <tr><th colspan="2">Wire</th></tr> <tr><th>Color</th><th>Content</th></tr> <tr><td>red</td><td>POWER</td></tr> <tr><td>black</td><td>GND</td></tr> </table>	Wire		Color	Content	red	POWER	black	GND
Wire											
Color	Content										
red	POWER										
black	GND										

- \* 1 Handle with care and don't add the impact such as falls or throwing to the unit.
- \* 2 Exchange the unit after intercepting the input power.
- \* 3 When the unit is exchanged, make sure there are not loosening of terminal screw and shutting the harness.

## X-ON Electronics

Largest Supplier of Electrical and Electronic Components

*Click to view similar products for [Mounting Fixings](#) category:*

*Click to view products by [Cosel](#) manufacturer:*

Other Similar products are found below :

[5912235-2](#) [007541](#) [627](#) [M3783-7001](#) [71-074914-006](#) [71-441549-19S](#) [75-69211-3P](#) [75-69214-6P](#) [75-69220-27S](#) [75-69224-5S](#) [7717-8DAP](#)  
[85043GULPR](#) [85047GULPT](#) [85048GBESR](#) [FPK-02-R10](#) [PMS27488-001-01](#) [1-18023-0](#) [H-118-2](#) [D83999/20WC8SN](#) [DB1](#) [1302030464](#)  
[DC31-14W19PN](#) [DC31-14W19PW](#) [DC32-18W32SN](#) [DC36-18-32SW](#) [DC36-18-32SX](#) [DC37-14-19PW](#) [DC37-22-21PX](#) [1302010957](#)  
[1302263564](#) [1302340393](#) [1404-0016-78](#) [14540](#) [149331-9811](#) [1561-60](#) [1566](#) [1566](#) [BR16A](#) [HS5659MB98PN](#) [NT20SATT01](#) [22594-8](#) [KBB-](#)  
[141](#) [89078GBEPR](#) [915060](#) [SF4011-60101](#) [97-CS-50](#) [1671](#) [LS10215R14-15PN](#) [LS10215R14-7PN L/C](#) [1855-54](#)