

# Heat sink

Heat sink is prepared in TUNS50 series, CQHS300 series, CQHS350 series, DHS50 series and DHS100 series.

Chart: List of Heat sink for TUNS50 series, CQHS300 series, CQHS350 series, DHS50 series and DHS100 series

| No | Model   | Size [mm] |      |      | Thermal resistance [°C/W] |             | Style      | Weight  |
|----|---------|-----------|------|------|---------------------------|-------------|------------|---------|
|    |         | H         | W    | D    | Convection (0.1m/s)       | Forced Air  |            |         |
| 1  | F-QB-F1 | 12.7      | 58.4 | 37.6 | 14.0                      | Refer Fig.7 | Horizontal | 35g max |
| 2  | F-QB-F2 | 12.7      | 58.7 | 37.3 |                           |             | Vertical   | 40g max |
| 3  | F-QB-F3 | 25.4      | 58.4 | 37.6 | 7.5                       |             | Horizontal | 50g max |
| 4  | F-QB-F4 | 25.4      | 58.7 | 37.3 |                           |             | Vertical   | 50g max |
| 5  | F-QB-F5 | 38.1      | 58.4 | 37.6 | 5.0                       |             | Horizontal | 60g max |
| 6  | F-QB-F6 | 38.1      | 58.7 | 37.3 |                           |             | Vertical   | 60g max |

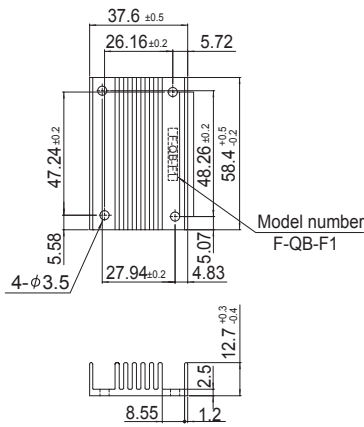


Fig.1 F-QB-F1 external view

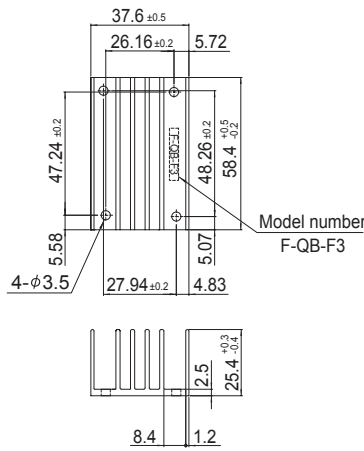


Fig.2 F-QB-F3 external view

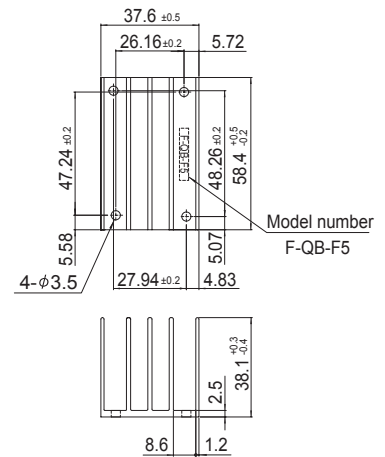


Fig.3 F-QB-F5 external view

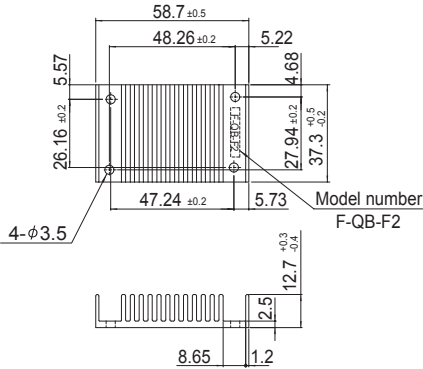


Fig.4 F-QB-F2 external view

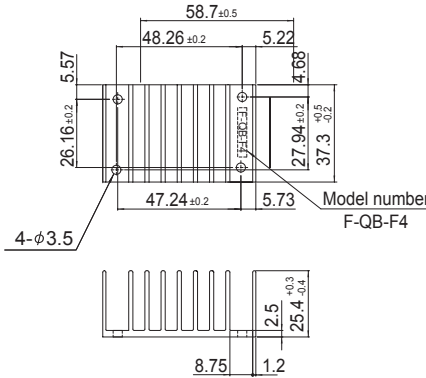


Fig.5 F-QB-F4 external view

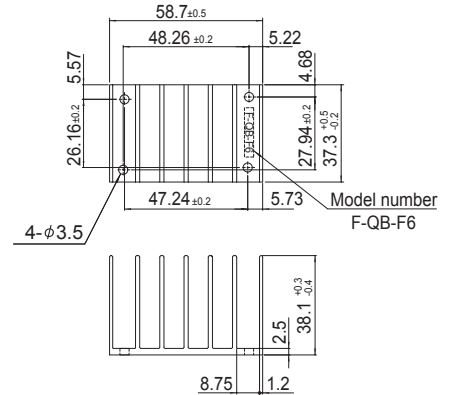


Fig.6 F-QB-F6 external view

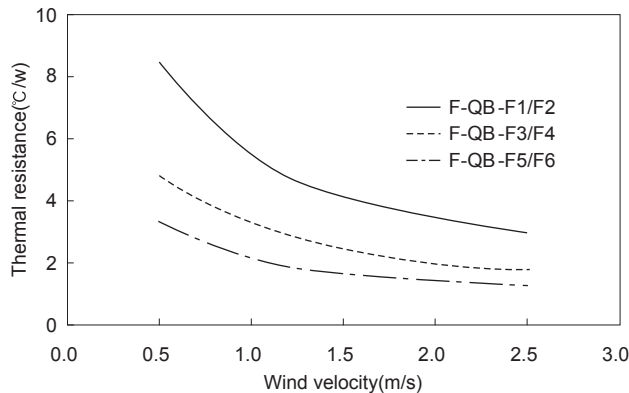


Fig.7 Thermal resistance of heat sink(Forced air)

## X-ON Electronics

Largest Supplier of Electrical and Electronic Components

*Click to view similar products for [Heat Sinks](#) category:*

*Click to view products by [Cosel](#) manufacturer:*

Other Similar products are found below :

[581102B00000G](#) [656-15ABPE](#) [657-20ABPNE](#) [7020B-TC12-MTG](#) [73452PPBA](#) [7G0011A](#) [PF720G](#) [A22-4026](#) [120-1873-007](#) [HAH10L](#)  
[1542616-1](#) [HS-2506-F1](#) [HS-87M0-F2](#) [218-40CTE3](#) [231-69PAB-15V](#) [25-7520](#) [SW50-4G](#) [231-75PAB-13V](#) [231-75PAB-15V](#) [253-122ABE-](#)  
[22](#) [PSC22CB](#) [HAF10L](#) [HAQ10T](#) [D10100-28](#) [BDN183CBA01](#) [3-21053-4](#) [32438](#) [TX0506-1B](#) [TX1806B](#) [LAE66A3CB](#) [WA-DT2-101E](#) [511-](#)  
[3U](#) [73381PPBA](#) [73403PPBA](#) [7G0047C](#) [COMX-440-HSP](#) [510-12M](#) [D10650-40T5](#) [V8511 Y](#) [APF40-40-13CB/A01](#) [780653U04500G](#) [ATS-](#)  
[54310K-C2-R0](#) [FK 216 CB SA](#) [FK 231 SA 220](#) [648-51AB](#) [657-20ABPESC](#) [2341BG](#) [679-25AG](#) [FK 212 CB SA](#) [FK225 SA L1](#)