

Heat sink

Heat sink is prepared in TUNS50 series, CQHS300 series, CQHS350 series, DHS50 series and DHS100 series.

Chart: List of Heat sink for TUNS50 series, CQHS300 series, CQHS350 series, DHS50 series and DHS100 series

No	Model	Size [mm]			Thermal resistance [°C/W]		Style	Weight
		H	W	D	Convection (0.1m/s)	Forced Air		
1	F-QB-F1	12.7	58.4	37.6	14.0	Refer Fig.7	Horizontal	35g max
2	F-QB-F2	12.7	58.7	37.3			Vertical	40g max
3	F-QB-F3	25.4	58.4	37.6	7.5		Horizontal	50g max
4	F-QB-F4	25.4	58.7	37.3			Vertical	50g max
5	F-QB-F5	38.1	58.4	37.6	5.0		Horizontal	60g max
6	F-QB-F6	38.1	58.7	37.3			Vertical	60g max

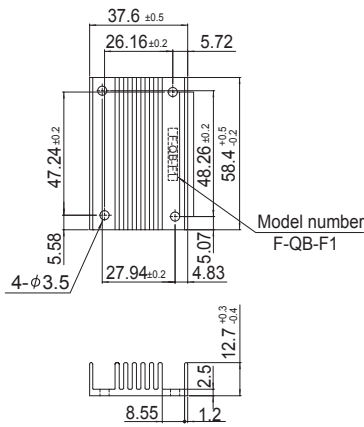


Fig.1 F-QB-F1 external view

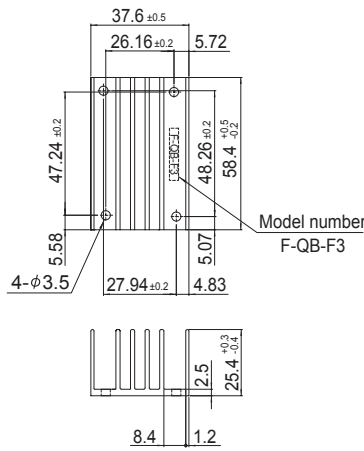


Fig.2 F-QB-F3 external view

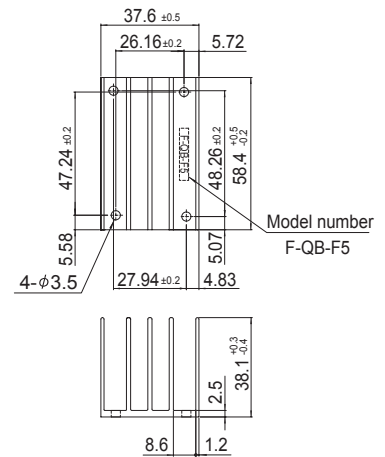


Fig.3 F-QB-F5 external view

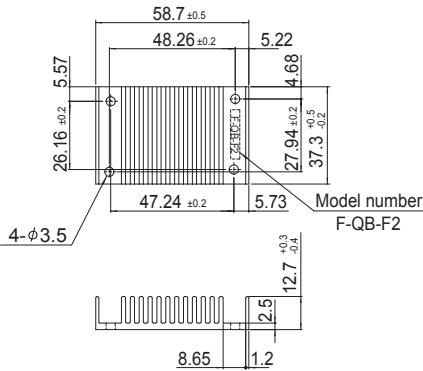


Fig.4 F-QB-F2 external view

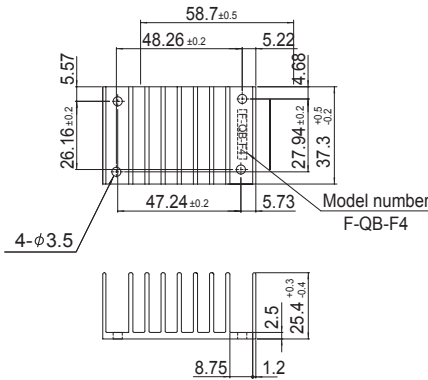


Fig.5 F-QB-F4 external view

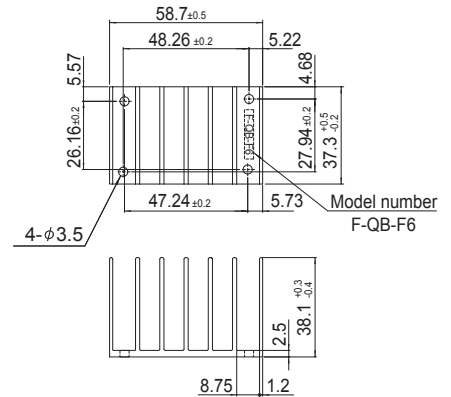


Fig.6 F-QB-F6 external view

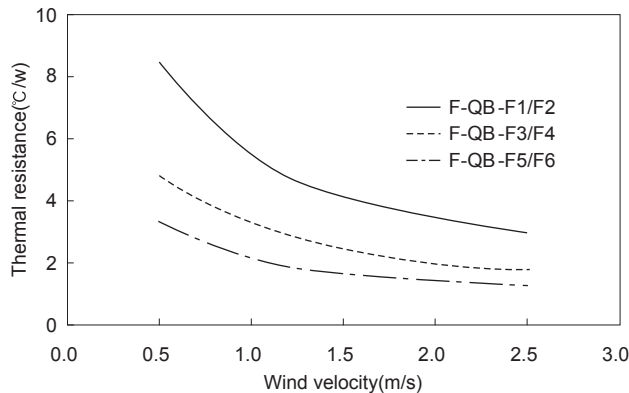


Fig.7 Thermal resistance of heat sink(Forced air)

X-ON Electronics

Largest Supplier of Electrical and Electronic Components

Click to view similar products for [Heat Sinks](#) category:

Click to view products by [Cosel](#) manufacturer:

Other Similar products are found below :

[581102B00000G](#) [630-35ABT3](#) [656-15ABPE](#) [657-20ABPNE](#) [73452PPBA](#) [7721-13NG](#) [7G0011A](#) [FI306/SE](#) [PF720G](#) [A22-4026](#) [120-1873-007](#) [HAH10L](#) [1542256-2](#) [1542026-1](#) [1542616-1](#) [HS-2506-F1](#) [HS-87M0-F2](#) [218-40CTE3](#) [25-7520](#) [188854F00000G](#) [F-QB-F1](#) [APA501-60-003](#) [253-122ABE-22](#) [PSC22CB](#) [CLP-201](#) [CLP212SG](#) [CLP-7701G](#) [HAA072](#) [HAA083](#) [HAF10L](#) [HAQ10T](#) [D10100-28](#) [TO5-002D](#) [513101B02500G](#) [BDN183CBA01](#) [531202B0000](#) [HS-56M0-C1](#) [3-21053-4](#) [TX0506-1B](#) [TX1806B](#) [336614B-00000](#) [V2004X](#) [LAE66A3CB](#) [WA-DT2-101E](#) [511-3U](#) [017177](#) [530510B00000G](#) [6110BG](#) [73381PPBA](#) [73403PPBA](#)