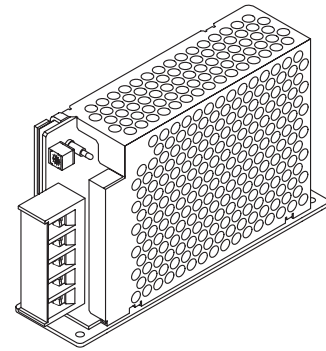


# ■ PB · PMA Series Attachment

BASE Attachment

| Plate model | Applicable models      |
|-------------|------------------------|
| F-PBA10-1   | PBA10F                 |
| F-PBA15-1   | PBA15F, PBW15F         |
| F-PBA30-1   | PBA30F, PBW30F, PMA15F |
| F-PBA50-1   | PBA50F, PBW50F, PMA30F |
| F-PBA75-1   | PBA75F, PMA60F         |
| F-PBA100-1  | PBA100F                |
| F-PBA150-1  | PBA150F, PMA100F       |

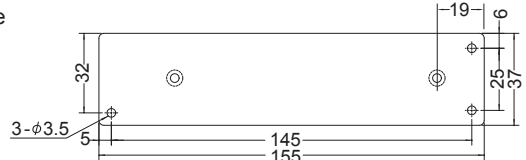
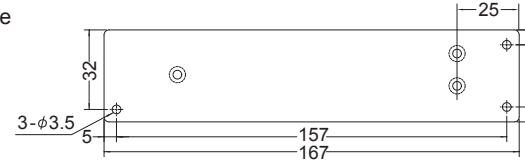
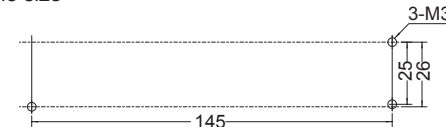
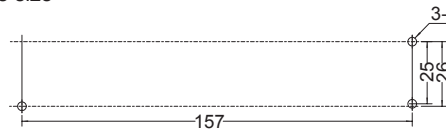
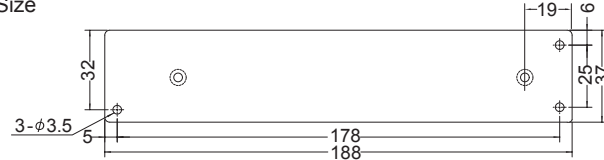
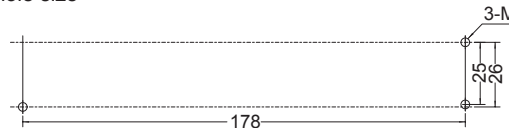
Example



< TOP VIEW > (Unit : mm) (Tolerance : ±1)

|  |  |
|--|--|
| <p><b>F-PBA10-1</b></p> <p>Size</p> <ul style="list-style-type: none"> <li>* Material : SECC</li> <li>* Thickness : 2.0</li> <li>* Weight : 60g max</li> </ul> | <p><b>F-PBA15-1</b></p> <p>Size</p> <ul style="list-style-type: none"> <li>* Material : SECC</li> <li>* Thickness : 2.0</li> <li>* Weight : 70g max</li> </ul> |
| <p>* M3 Flat screw is requested when mounting.<br/>Please check the instruction manual for the size of screw.</p>  |  |
| <p>Mounting hole size</p> <p>FRONT ←</p>   | <p>Mounting hole size</p> <p>FRONT ←</p>   |
| <p><b>F-PBA30-1</b></p> <p>Size</p> <ul style="list-style-type: none"> <li>* Material : SECC</li> <li>* Thickness : 2.0</li> <li>* Weight : 85g max</li> </ul> | <p><b>F-PBA50-1</b></p> <p>Size</p> <ul style="list-style-type: none"> <li>* Material : SECC</li> <li>* Thickness : 2.0</li> <li>* Weight : 95g max</li> </ul> |
| <p>* M3 Flat screw is requested when mounting.<br/>Please check the instruction manual for the size of screw.</p>  |  |
| <p>Mounting hole size</p> <p>FRONT ←</p>   | <p>Mounting hole size</p> <p>FRONT ←</p>   |

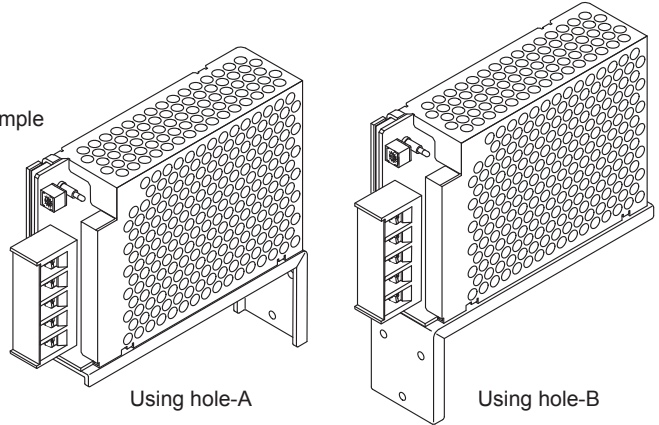
< TOP VIEW > (Unit : mm) (Tolerance : ±1)

|   |   |
|---|---|
| <p style="text-align: center;"><b>F-PBA75-1</b></p> <p>Size</p>  <ul style="list-style-type: none"> <li>★ Material : SECC</li> <li>★ Thickness : 2.0</li> <li>★ Weight : 110g max</li> </ul> | <p style="text-align: center;"><b>F-PBA100-1</b></p> <p>Size</p>  <ul style="list-style-type: none"> <li>★ Material : SECC</li> <li>★ Thickness : 2.0</li> <li>★ Weight : 110g max</li> </ul> |
| <p>★ M3 Flat screw is requested when mounting.<br/>Please check the instruction manual for the size of screw.</p>   |   |
| <p>Mounting hole size</p> <p>FRONT ←</p>   | <p>Mounting hole size</p> <p>FRONT ←</p>    |
| <p><b>F-PBA150-1</b></p>  |   |
| <p>Size</p>  <ul style="list-style-type: none"> <li>★ Material : SECC</li> <li>★ Thickness : 2.0</li> <li>★ Weight : 130g max</li> </ul>  |   |
| <p>★ M3 Flat screw is requested when mounting.<br/>Please check the instruction manual for the size of screw.</p>   |   |
| <p>Mounting hole size</p> <p>FRONT ←</p>   |   |

FRONT · REVERSE  
Attachment

| Plate model | Applicable models      |
|-------------|------------------------|
| F-PBA10-2   | PBA10F                 |
| F-PBA15-2   | PBA15F, PBW15F         |
| F-PBA30-2   | PBA30F, PBW30F, PMA15F |
| F-PBA50-2   | PBA50F, PBW50F, PMA30F |
| F-PBA75-2   | PBA75F, PMA60F         |
| F-PBA100-2  | PBA100F                |
| F-PBA150-2  | PBA150F, PMA100F       |

Example



Using hole-A

Using hole-B

< TOP VIEW > (Unit : mm) (Tolerance : ±1)

| <p style="text-align: center;"><b>F-PBA10-2</b></p> <p>Size</p> <ul style="list-style-type: none"> <li>* Material : SECC</li> <li>* Thickness : 1.6</li> <li>* Weight : 60g max</li> </ul> | <p style="text-align: center;"><b>F-PBA15-2</b></p> <p>Size</p> <ul style="list-style-type: none"> <li>* Material : SECC</li> <li>* Thickness : 1.6</li> <li>* Weight : 70g max</li> </ul>  |
|--|---|
| <p>* M3 screw is requested when mounting.<br/>Please check the instruction manual for the size of screw.</p>   |   |
| <p style="text-align: center;"><b>F-PBA30-2</b></p> <p>Size</p> <ul style="list-style-type: none"> <li>* Material : SECC</li> <li>* Thickness : 1.6</li> <li>* Weight : 80g max</li> </ul> | <p style="text-align: center;"><b>F-PBA50-2</b></p> <p>Size</p> <ul style="list-style-type: none"> <li>* Material : SECC</li> <li>* Thickness : 2.0</li> <li>* Weight : 120g max</li> </ul> |
| <p>* M3 screw is requested when mounting.<br/>Please check the instruction manual for the size of screw.</p>   |   |

< TOP VIEW > (Unit : mm) (Tolerance : ±1)

| F-PBA75-2   | F-PBA100-2  |
|---|---|
| <p>Size</p> <ul style="list-style-type: none"> <li>★ Material : SECC</li> <li>★ Thickness : 2.0</li> <li>★ Weight : 130g max</li> </ul> | <p>Size</p> <ul style="list-style-type: none"> <li>★ Material : SECC</li> <li>★ Thickness : 2.0</li> <li>★ Weight : 140g max</li> </ul> |
| <p>★ M3 screw is requested when mounting.<br/>Please check the instruction manual for the size of screw.</p>                            |   |

| F-PBA150-2  |
|---|
| <p>Size</p> <ul style="list-style-type: none"> <li>★ Material : SECC</li> <li>★ Thickness : 2.0</li> <li>★ Weight : 170g max</li> </ul> |
| <p>★ M3 screw is requested when mounting.<br/>Please check the instruction manual for the size of screw.</p>                            |

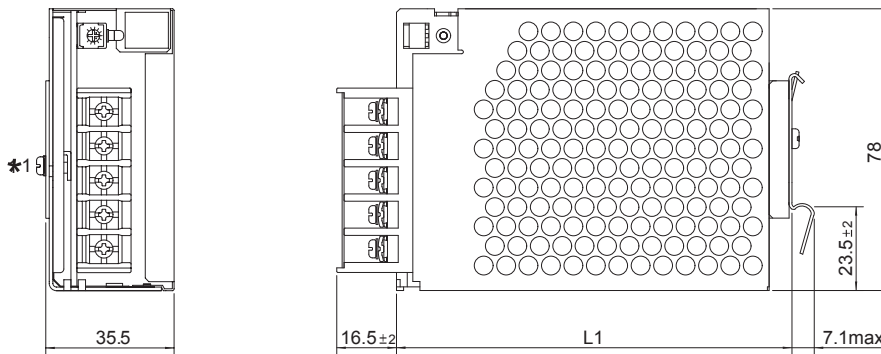
## ■ DIN rail Attachment Plate(PB Series)

### APPLICABLE TO MODEL

DIN rail width : 35mm

| Plate model | Model                  | screws for installation |      |
|-------------|------------------------|-------------------------|------|
|             |                        | Type                    | Qty  |
| FD-PBA10    | PBA10F                 | M3                      | 2pcs |
| FD-PBA15    | PBA15F, PBW15F         |                         |      |
| FD-PBA30    | PBA30F, PBW30F         |                         |      |
| FD-PBA50    | PBA50F, PBW50F, PBA75F |                         |      |
| FD-PBA100   | PBA100F                | M3                      | 3pcs |
|             | PBA150F                | M3                      | 2pcs |
| FD-PBA300   | PBA300F                | M4                      | 2pcs |

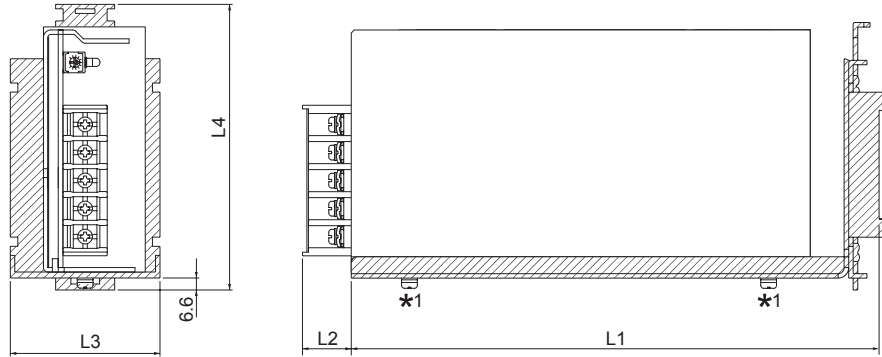
### FD-PBA10, FD-PBA15, FD-PBA30 EXTERNAL VIEW



| Plate model | Model          | L1      |
|-------------|----------------|---------|
| FD-PBA10    | PBA10F         | 75.0±2  |
| FD-PBA15    | PBA15F, PBW15F | 92.0±2  |
| FD-PBA30    | PBA30F, PBW30F | 110.0±2 |

- \* Material : SECC
- \* Thickness : 1.0
- \* Tolerance : ±1
- \* 1 Screws for installation (attached to Plate)
- \* Weight : FD-PBA10 45g max  
FD-PBA15 55g max  
FD-PBA30 60g max

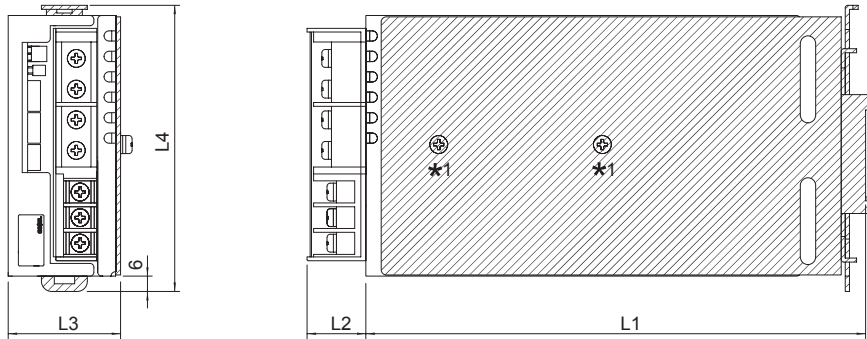
### FD-PBA50, FD-PBA100 EXTERNAL VIEW



| Plate model | Model   | L1  | L2     | L3   | L4    |
|-------------|---------|-----|--------|------|-------|
| FD-PBA50    | PBA50F  | 135 | 16.5±2 | 41   | 102.5 |
|             | PBA75F  | 150 |        |      |       |
| FD-PBA100   | PBA100F | 162 | 13.5±2 | 42.5 | 112   |
|             | PBA150F | 183 |        |      |       |

- \* Material : SECC
- \* Thickness : 1.6
- \* Tolerance : ±1
- \* 1 Screws for installation (attached to Plate)
- \* Weight : FD-PBA50 220g max  
Weight : FD-PBA100 260g max

### FD-PBA300 EXTERNAL VIEW



| Plate model | Model   | L1    | L2    | L3 | L4  |
|-------------|---------|-------|-------|----|-----|
| FD-PBA300   | PBA300F | 195.5 | 25max | 44 | 112 |

- \* Material : SPHC
- \* Thickness : 2.0
- \* Tolerance : ±1
- \* 1 Screws for installation (attached to Plate)
- \* Weight : 500g max

Harness to use the function is prepared in PB series.

## PB Series

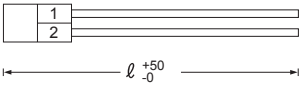
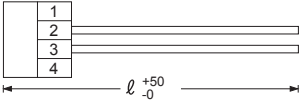
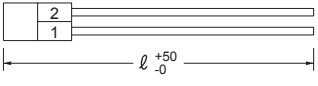
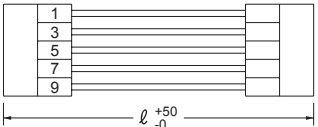
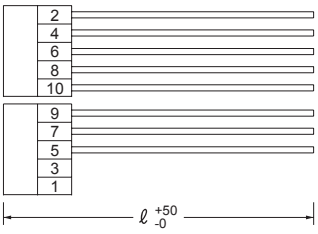
### Mating harness

| Model   | Harness model #   | Contents   |
|---|-------------------|--|
| PBA10F, PBA15F, PBW15F, PBA30F, PBW30F, PBA50F, PBW50F, PBA75F, PBA100F, PBA150F ★1 | H-IN-3 or H-IN-27 | Input harness when I/O interface is connector (Mfr: J.S.T.) type (option : -J1)  |
| PBA10F, PBA15F, PBA30F, PBA50F  | H-OU-9            | Output harness when I/O interface is connector (Mfr: J.S.T.) type (option : -J1) |
| PBA75F, PBA100F, PBA150F ★1   | H-OU-18           | Output harness when I/O interface is connector (Mfr: J.S.T.) type (option : -J1) |
| PBW15F, PBW30F, PBW50F  | H-OU-48           | Output harness when I/O interface is connector (Mfr: J.S.T.) type (option : -J1) |
| PBA50F, PBW50F, PBA75F, PBA100F, PBA150F  | H-RC-1            | Harness for using option : -R  |
| PBA100F, PBA150F ★2   | H-SN-1            | Harness for using option : -K  |
| PBA10F, PBA15F, PBW15F, PBA30F, PBW30F, PBA50F, PBW50F, PBA75F, PBA100F, PBA150F    | H-SN-18           | Harness for using option : -V  |
| PBA300F   | H-PA-3            | Harness for parallel operation   |
| PBA600F   | H-SN-20           | Harness for using all functions of CN1 and CN2                                   |
| PBA1000F  | H-SN-21           | Harness for using all functions except remote sensing of CN2                     |
| PBA1500F  | H-SN-22           | Harness for using all functions of CN3   |
| PBA1500T  | H-SN-24           | Harness for using example remote ON/OFF circuit (C)                              |

★1 Available for 12V, 15V, 24V, 36V and 48V output model in PBA100F / 150F.

★2 Available for 3.3V and 5V output model in PBA100F / 150F.

| <p>●Model number<br/><b>H-IN-3</b><br/>Housing : VHR-5N (J.S.T.)<br/>Pin : SVH-21T-P1.1 (J.S.T.)<br/>Weight : 20g max</p>  | <p>●Type</p> | <p>●Wire</p> <table border="1"> <thead> <tr> <th>Pin #</th> <th>Wire</th> <th>AWG</th> <th>Color</th> <th>Length <math>l</math> (mm)</th> </tr> </thead> <tbody> <tr> <td>1</td> <td>UL 1015</td> <td>20</td> <td>white</td> <td>500</td> </tr> <tr> <td>2</td> <td></td> <td></td> <td></td> <td></td> </tr> <tr> <td>3</td> <td>UL 1015</td> <td>20</td> <td>black</td> <td>500</td> </tr> <tr> <td>4</td> <td></td> <td></td> <td></td> <td></td> </tr> <tr> <td>5</td> <td>UL 1015</td> <td>20</td> <td>green</td> <td>500</td> </tr> </tbody> </table>        | Pin #        | Wire            | AWG | Color | Length $l$ (mm) | 1     | UL 1015 | 20 | white  | 500 | 2     |         |    |       |     | 3 | UL 1015 | 20 | black | 500 | 4 |         |    |     |     | 5 | UL 1015 | 20 | green        | 500 |
|--|--------------|--|--------------|-----------------|-----|-------|-----------------|-------|---------|----|--------|-----|-------|---------|----|-------|-----|---|---------|----|-------|-----|---|---------|----|-----|-----|---|---------|----|--------------|-----|
| Pin #  | Wire         | AWG  | Color        | Length $l$ (mm) |     |       |                 |       |         |    |        |     |       |         |    |       |     |   |         |    |       |     |   |         |    |     |     |   |         |    |              |     |
| 1  | UL 1015      | 20   | white        | 500             |     |       |                 |       |         |    |        |     |       |         |    |       |     |   |         |    |       |     |   |         |    |     |     |   |         |    |              |     |
| 2  |              |  |              |                 |     |       |                 |       |         |    |        |     |       |         |    |       |     |   |         |    |       |     |   |         |    |     |     |   |         |    |              |     |
| 3  | UL 1015      | 20   | black        | 500             |     |       |                 |       |         |    |        |     |       |         |    |       |     |   |         |    |       |     |   |         |    |     |     |   |         |    |              |     |
| 4  |              |  |              |                 |     |       |                 |       |         |    |        |     |       |         |    |       |     |   |         |    |       |     |   |         |    |     |     |   |         |    |              |     |
| 5  | UL 1015      | 20   | green        | 500             |     |       |                 |       |         |    |        |     |       |         |    |       |     |   |         |    |       |     |   |         |    |     |     |   |         |    |              |     |
| <p>●Model number<br/><b>H-IN-27</b><br/>Housing : VHR-5N (J.S.T.)<br/>Pin : SVH-21T-P1.1 (J.S.T.)<br/>Weight : 20g max</p> | <p>●Type</p> | <p>●Wire</p> <table border="1"> <thead> <tr> <th>Pin #</th> <th>Wire</th> <th>AWG</th> <th>Color</th> <th>Length <math>l</math> (mm)</th> </tr> </thead> <tbody> <tr> <td>1</td> <td>UL 1015</td> <td>20</td> <td>white</td> <td>500</td> </tr> <tr> <td>2</td> <td></td> <td></td> <td></td> <td></td> </tr> <tr> <td>3</td> <td>UL 1015</td> <td>20</td> <td>black</td> <td>500</td> </tr> <tr> <td>4</td> <td></td> <td></td> <td></td> <td></td> </tr> <tr> <td>5</td> <td>UL 1015</td> <td>20</td> <td>green/yellow</td> <td>500</td> </tr> </tbody> </table> | Pin #        | Wire            | AWG | Color | Length $l$ (mm) | 1     | UL 1015 | 20 | white  | 500 | 2     |         |    |       |     | 3 | UL 1015 | 20 | black | 500 | 4 |         |    |     |     | 5 | UL 1015 | 20 | green/yellow | 500 |
| Pin #  | Wire         | AWG  | Color        | Length $l$ (mm) |     |       |                 |       |         |    |        |     |       |         |    |       |     |   |         |    |       |     |   |         |    |     |     |   |         |    |              |     |
| 1  | UL 1015      | 20   | white        | 500             |     |       |                 |       |         |    |        |     |       |         |    |       |     |   |         |    |       |     |   |         |    |     |     |   |         |    |              |     |
| 2  |              |  |              |                 |     |       |                 |       |         |    |        |     |       |         |    |       |     |   |         |    |       |     |   |         |    |     |     |   |         |    |              |     |
| 3  | UL 1015      | 20   | black        | 500             |     |       |                 |       |         |    |        |     |       |         |    |       |     |   |         |    |       |     |   |         |    |     |     |   |         |    |              |     |
| 4  |              |  |              |                 |     |       |                 |       |         |    |        |     |       |         |    |       |     |   |         |    |       |     |   |         |    |     |     |   |         |    |              |     |
| 5  | UL 1015      | 20   | green/yellow | 500             |     |       |                 |       |         |    |        |     |       |         |    |       |     |   |         |    |       |     |   |         |    |     |     |   |         |    |              |     |
| <p>●Model number<br/><b>H-OU-9</b><br/>Housing : VHR-4N (J.S.T.)<br/>Pin : SVH-21T-P1.1 (J.S.T.)<br/>Weight : 40g max</p>  | <p>●Type</p> | <p>●Wire</p> <table border="1"> <thead> <tr> <th>Pin #</th> <th>Wire</th> <th>AWG</th> <th>Color</th> <th>Length <math>l</math> (mm)</th> </tr> </thead> <tbody> <tr> <td>1</td> <td>UL 1015</td> <td>18</td> <td>black</td> <td>500</td> </tr> <tr> <td>2</td> <td>UL 1015</td> <td>18</td> <td>black</td> <td>500</td> </tr> <tr> <td>3</td> <td>UL 1015</td> <td>18</td> <td>red</td> <td>500</td> </tr> <tr> <td>4</td> <td>UL 1015</td> <td>18</td> <td>red</td> <td>500</td> </tr> </tbody> </table>   | Pin #        | Wire            | AWG | Color | Length $l$ (mm) | 1     | UL 1015 | 18 | black  | 500 | 2     | UL 1015 | 18 | black | 500 | 3 | UL 1015 | 18 | red   | 500 | 4 | UL 1015 | 18 | red | 500 |   |         |    |              |     |
| Pin #  | Wire         | AWG  | Color        | Length $l$ (mm) |     |       |                 |       |         |    |        |     |       |         |    |       |     |   |         |    |       |     |   |         |    |     |     |   |         |    |              |     |
| 1  | UL 1015      | 18   | black        | 500             |     |       |                 |       |         |    |        |     |       |         |    |       |     |   |         |    |       |     |   |         |    |     |     |   |         |    |              |     |
| 2  | UL 1015      | 18   | black        | 500             |     |       |                 |       |         |    |        |     |       |         |    |       |     |   |         |    |       |     |   |         |    |     |     |   |         |    |              |     |
| 3  | UL 1015      | 18   | red          | 500             |     |       |                 |       |         |    |        |     |       |         |    |       |     |   |         |    |       |     |   |         |    |     |     |   |         |    |              |     |
| 4  | UL 1015      | 18   | red          | 500             |     |       |                 |       |         |    |        |     |       |         |    |       |     |   |         |    |       |     |   |         |    |     |     |   |         |    |              |     |
| <p>●Model number<br/><b>H-OU-18</b><br/>Housing : VHR-6N (J.S.T.)<br/>Pin : SVH-21T-P1.1 (J.S.T.)<br/>Weight : 60g max</p> | <p>●Type</p> | <p>●Wire</p> <table border="1"> <thead> <tr> <th>Pin #</th> <th>Wire</th> <th>AWG</th> <th>Color</th> <th>Length <math>l</math> (mm)</th> </tr> </thead> <tbody> <tr> <td>1 - 3</td> <td>UL 1015</td> <td>18</td> <td>black</td> <td>500</td> </tr> <tr> <td>4 - 6</td> <td>UL 1015</td> <td>18</td> <td>red</td> <td>500</td> </tr> </tbody> </table>   | Pin #        | Wire            | AWG | Color | Length $l$ (mm) | 1 - 3 | UL 1015 | 18 | black  | 500 | 4 - 6 | UL 1015 | 18 | red   | 500 |   |         |    |       |     |   |         |    |     |     |   |         |    |              |     |
| Pin #  | Wire         | AWG  | Color        | Length $l$ (mm) |     |       |                 |       |         |    |        |     |       |         |    |       |     |   |         |    |       |     |   |         |    |     |     |   |         |    |              |     |
| 1 - 3  | UL 1015      | 18   | black        | 500             |     |       |                 |       |         |    |        |     |       |         |    |       |     |   |         |    |       |     |   |         |    |     |     |   |         |    |              |     |
| 4 - 6  | UL 1015      | 18   | red          | 500             |     |       |                 |       |         |    |        |     |       |         |    |       |     |   |         |    |       |     |   |         |    |     |     |   |         |    |              |     |
| <p>●Model number<br/><b>H-OU-48</b><br/>Housing : VHR-4N (J.S.T.)<br/>Pin : SVH-21T-P1.1 (J.S.T.)<br/>Weight : 40g max</p> | <p>●Type</p> | <p>●Wire</p> <table border="1"> <thead> <tr> <th>Pin #</th> <th>Wire</th> <th>AWG</th> <th>Color</th> <th>Length <math>l</math> (mm)</th> </tr> </thead> <tbody> <tr> <td>1</td> <td>UL 1015</td> <td>18</td> <td>purple</td> <td>500</td> </tr> <tr> <td>2</td> <td>UL 1015</td> <td>18</td> <td>black</td> <td>500</td> </tr> <tr> <td>3</td> <td>UL 1015</td> <td>18</td> <td>black</td> <td>500</td> </tr> <tr> <td>4</td> <td>UL 1015</td> <td>18</td> <td>red</td> <td>500</td> </tr> </tbody> </table>  | Pin #        | Wire            | AWG | Color | Length $l$ (mm) | 1     | UL 1015 | 18 | purple | 500 | 2     | UL 1015 | 18 | black | 500 | 3 | UL 1015 | 18 | black | 500 | 4 | UL 1015 | 18 | red | 500 |   |         |    |              |     |
| Pin #  | Wire         | AWG  | Color        | Length $l$ (mm) |     |       |                 |       |         |    |        |     |       |         |    |       |     |   |         |    |       |     |   |         |    |     |     |   |         |    |              |     |
| 1  | UL 1015      | 18   | purple       | 500             |     |       |                 |       |         |    |        |     |       |         |    |       |     |   |         |    |       |     |   |         |    |     |     |   |         |    |              |     |
| 2  | UL 1015      | 18   | black        | 500             |     |       |                 |       |         |    |        |     |       |         |    |       |     |   |         |    |       |     |   |         |    |     |     |   |         |    |              |     |
| 3  | UL 1015      | 18   | black        | 500             |     |       |                 |       |         |    |        |     |       |         |    |       |     |   |         |    |       |     |   |         |    |     |     |   |         |    |              |     |
| 4  | UL 1015      | 18   | red          | 500             |     |       |                 |       |         |    |        |     |       |         |    |       |     |   |         |    |       |     |   |         |    |     |     |   |         |    |              |     |

| <p>●Model number<br/><b>H-RC-1</b></p> <p>Housing : XHP-2 (J.S.T.)<br/>Pin : SXH-001T-P0.6 (J.S.T.)<br/>Weight : 7g max</p>   | <p>●Type</p>    | <p>●Wire</p> <table border="1" style="width: 100%; border-collapse: collapse;"> <thead> <tr> <th>Pin #</th> <th>Wire</th> <th>AWG</th> <th>Color</th> <th>Length ℓ (mm)</th> </tr> </thead> <tbody> <tr> <td>1</td> <td>UL1007</td> <td>22</td> <td>orange</td> <td>500</td> </tr> <tr> <td>2</td> <td>UL1007</td> <td>22</td> <td>blue</td> <td>500</td> </tr> </tbody> </table>  | Pin #  | Wire          | AWG | Color | Length ℓ (mm) | 1 | UL1007 | 22 | orange | 500 | 2 | UL1007 | 22 | blue   | 500 |   |        |    |     |     |   |        |    |       |     |   |        |    |        |     |   |        |    |       |     |   |        |    |      |     |   |        |    |       |     |   |        |    |        |     |    |        |    |        |     |
|---|--|--|--------|---------------|-----|-------|---------------|---|--------|----|--------|-----|---|--------|----|--------|-----|---|--------|----|-----|-----|---|--------|----|-------|-----|---|--------|----|--------|-----|---|--------|----|-------|-----|---|--------|----|------|-----|---|--------|----|-------|-----|---|--------|----|--------|-----|----|--------|----|--------|-----|
| Pin #   | Wire   | AWG  | Color  | Length ℓ (mm) |     |       |               |   |        |    |        |     |   |        |    |        |     |   |        |    |     |     |   |        |    |       |     |   |        |    |        |     |   |        |    |       |     |   |        |    |      |     |   |        |    |       |     |   |        |    |        |     |    |        |    |        |     |
| 1   | UL1007   | 22   | orange | 500           |     |       |               |   |        |    |        |     |   |        |    |        |     |   |        |    |     |     |   |        |    |       |     |   |        |    |        |     |   |        |    |       |     |   |        |    |      |     |   |        |    |       |     |   |        |    |        |     |    |        |    |        |     |
| 2   | UL1007   | 22   | blue   | 500           |     |       |               |   |        |    |        |     |   |        |    |        |     |   |        |    |     |     |   |        |    |       |     |   |        |    |        |     |   |        |    |       |     |   |        |    |      |     |   |        |    |       |     |   |        |    |        |     |    |        |    |        |     |
| <p>●Model number<br/><b>H-SN-1</b></p> <p>Housing : XHP-4 (J.S.T.)<br/>Pin : SXH-001T-P0.6 (J.S.T.)<br/>Weight : 3g max</p>   | <p>●Type</p>    | <p>●Wire</p> <table border="1" style="width: 100%; border-collapse: collapse;"> <thead> <tr> <th>Pin #</th> <th>Wire</th> <th>AWG</th> <th>Color</th> <th>Length ℓ (mm)</th> </tr> </thead> <tbody> <tr> <td>1</td> <td></td> <td></td> <td></td> <td></td> </tr> <tr> <td>2</td> <td>UL1061</td> <td>28</td> <td>black</td> <td>500</td> </tr> <tr> <td>3</td> <td>UL1061</td> <td>28</td> <td>red</td> <td>500</td> </tr> <tr> <td>4</td> <td></td> <td></td> <td></td> <td></td> </tr> </tbody> </table>  | Pin #  | Wire          | AWG | Color | Length ℓ (mm) | 1 |        |    |        |     | 2 | UL1061 | 28 | black  | 500 | 3 | UL1061 | 28 | red | 500 | 4 |        |    |       |     |   |        |    |        |     |   |        |    |       |     |   |        |    |      |     |   |        |    |       |     |   |        |    |        |     |    |        |    |        |     |
| Pin #   | Wire   | AWG  | Color  | Length ℓ (mm) |     |       |               |   |        |    |        |     |   |        |    |        |     |   |        |    |     |     |   |        |    |       |     |   |        |    |        |     |   |        |    |       |     |   |        |    |      |     |   |        |    |       |     |   |        |    |        |     |    |        |    |        |     |
| 1   |  |  |        |               |     |       |               |   |        |    |        |     |   |        |    |        |     |   |        |    |     |     |   |        |    |       |     |   |        |    |        |     |   |        |    |       |     |   |        |    |      |     |   |        |    |       |     |   |        |    |        |     |    |        |    |        |     |
| 2   | UL1061   | 28   | black  | 500           |     |       |               |   |        |    |        |     |   |        |    |        |     |   |        |    |     |     |   |        |    |       |     |   |        |    |        |     |   |        |    |       |     |   |        |    |      |     |   |        |    |       |     |   |        |    |        |     |    |        |    |        |     |
| 3   | UL1061   | 28   | red    | 500           |     |       |               |   |        |    |        |     |   |        |    |        |     |   |        |    |     |     |   |        |    |       |     |   |        |    |        |     |   |        |    |       |     |   |        |    |      |     |   |        |    |       |     |   |        |    |        |     |    |        |    |        |     |
| 4   |  |  |        |               |     |       |               |   |        |    |        |     |   |        |    |        |     |   |        |    |     |     |   |        |    |       |     |   |        |    |        |     |   |        |    |       |     |   |        |    |      |     |   |        |    |       |     |   |        |    |        |     |    |        |    |        |     |
| <p>●Model number<br/><b>H-SN-18</b></p> <p>Housing : PHR-2 (J.S.T.)<br/>Pin : SPH-002T-P0.5S (J.S.T.)<br/>Weight : 4g max</p> | <p>●Type</p>    | <p>●Wire</p> <table border="1" style="width: 100%; border-collapse: collapse;"> <thead> <tr> <th>Pin #</th> <th>Wire</th> <th>AWG</th> <th>Color</th> <th>Length ℓ (mm)</th> </tr> </thead> <tbody> <tr> <td>1</td> <td>UL1007</td> <td>26</td> <td>yellow</td> <td>500</td> </tr> <tr> <td>2</td> <td>UL1007</td> <td>26</td> <td>orange</td> <td>500</td> </tr> </tbody> </table>  | Pin #  | Wire          | AWG | Color | Length ℓ (mm) | 1 | UL1007 | 26 | yellow | 500 | 2 | UL1007 | 26 | orange | 500 |   |        |    |     |     |   |        |    |       |     |   |        |    |        |     |   |        |    |       |     |   |        |    |      |     |   |        |    |       |     |   |        |    |        |     |    |        |    |        |     |
| Pin #   | Wire   | AWG  | Color  | Length ℓ (mm) |     |       |               |   |        |    |        |     |   |        |    |        |     |   |        |    |     |     |   |        |    |       |     |   |        |    |        |     |   |        |    |       |     |   |        |    |      |     |   |        |    |       |     |   |        |    |        |     |    |        |    |        |     |
| 1   | UL1007   | 26   | yellow | 500           |     |       |               |   |        |    |        |     |   |        |    |        |     |   |        |    |     |     |   |        |    |       |     |   |        |    |        |     |   |        |    |       |     |   |        |    |      |     |   |        |    |       |     |   |        |    |        |     |    |        |    |        |     |
| 2   | UL1007   | 26   | orange | 500           |     |       |               |   |        |    |        |     |   |        |    |        |     |   |        |    |     |     |   |        |    |       |     |   |        |    |        |     |   |        |    |       |     |   |        |    |      |     |   |        |    |       |     |   |        |    |        |     |    |        |    |        |     |
| <p>●Model number<br/><b>H-PA-3</b></p> <p>Housing : PHDR-10VS(J.S.T)<br/>Pin : SPHD-002T-P0.5(J.S.T)<br/>Weight : 5g max</p>  | <p>●Type</p>    | <p>●Wire</p> <table border="1" style="width: 100%; border-collapse: collapse;"> <thead> <tr> <th>Pin #</th> <th>Wire</th> <th>AWG</th> <th>Color</th> <th>Length ℓ (mm)</th> </tr> </thead> <tbody> <tr> <td>1</td> <td>-</td> <td>-</td> <td>-</td> <td>-</td> </tr> <tr> <td>2</td> <td>UL1061</td> <td>28</td> <td>red</td> <td>270</td> </tr> <tr> <td>3</td> <td>-</td> <td>-</td> <td>-</td> <td>-</td> </tr> <tr> <td>4</td> <td>UL1061</td> <td>28</td> <td>black</td> <td>270</td> </tr> <tr> <td>5</td> <td>UL1061</td> <td>28</td> <td>yellow</td> <td>270</td> </tr> <tr> <td>6</td> <td>UL1061</td> <td>28</td> <td>green</td> <td>270</td> </tr> <tr> <td>7</td> <td>UL1061</td> <td>28</td> <td>blue</td> <td>270</td> </tr> <tr> <td>8</td> <td>-</td> <td>-</td> <td>-</td> <td>-</td> </tr> <tr> <td>9</td> <td>UL1061</td> <td>28</td> <td>orange</td> <td>270</td> </tr> <tr> <td>10</td> <td>UL1061</td> <td>28</td> <td>purple</td> <td>270</td> </tr> </tbody> </table>             | Pin #  | Wire          | AWG | Color | Length ℓ (mm) | 1 | -      | -  | -      | -   | 2 | UL1061 | 28 | red    | 270 | 3 | -      | -  | -   | -   | 4 | UL1061 | 28 | black | 270 | 5 | UL1061 | 28 | yellow | 270 | 6 | UL1061 | 28 | green | 270 | 7 | UL1061 | 28 | blue | 270 | 8 | -      | -  | -     | -   | 9 | UL1061 | 28 | orange | 270 | 10 | UL1061 | 28 | purple | 270 |
| Pin #   | Wire   | AWG  | Color  | Length ℓ (mm) |     |       |               |   |        |    |        |     |   |        |    |        |     |   |        |    |     |     |   |        |    |       |     |   |        |    |        |     |   |        |    |       |     |   |        |    |      |     |   |        |    |       |     |   |        |    |        |     |    |        |    |        |     |
| 1   | -  | -  | -      | -             |     |       |               |   |        |    |        |     |   |        |    |        |     |   |        |    |     |     |   |        |    |       |     |   |        |    |        |     |   |        |    |       |     |   |        |    |      |     |   |        |    |       |     |   |        |    |        |     |    |        |    |        |     |
| 2   | UL1061   | 28   | red    | 270           |     |       |               |   |        |    |        |     |   |        |    |        |     |   |        |    |     |     |   |        |    |       |     |   |        |    |        |     |   |        |    |       |     |   |        |    |      |     |   |        |    |       |     |   |        |    |        |     |    |        |    |        |     |
| 3   | -  | -  | -      | -             |     |       |               |   |        |    |        |     |   |        |    |        |     |   |        |    |     |     |   |        |    |       |     |   |        |    |        |     |   |        |    |       |     |   |        |    |      |     |   |        |    |       |     |   |        |    |        |     |    |        |    |        |     |
| 4   | UL1061   | 28   | black  | 270           |     |       |               |   |        |    |        |     |   |        |    |        |     |   |        |    |     |     |   |        |    |       |     |   |        |    |        |     |   |        |    |       |     |   |        |    |      |     |   |        |    |       |     |   |        |    |        |     |    |        |    |        |     |
| 5   | UL1061   | 28   | yellow | 270           |     |       |               |   |        |    |        |     |   |        |    |        |     |   |        |    |     |     |   |        |    |       |     |   |        |    |        |     |   |        |    |       |     |   |        |    |      |     |   |        |    |       |     |   |        |    |        |     |    |        |    |        |     |
| 6   | UL1061   | 28   | green  | 270           |     |       |               |   |        |    |        |     |   |        |    |        |     |   |        |    |     |     |   |        |    |       |     |   |        |    |        |     |   |        |    |       |     |   |        |    |      |     |   |        |    |       |     |   |        |    |        |     |    |        |    |        |     |
| 7   | UL1061   | 28   | blue   | 270           |     |       |               |   |        |    |        |     |   |        |    |        |     |   |        |    |     |     |   |        |    |       |     |   |        |    |        |     |   |        |    |       |     |   |        |    |      |     |   |        |    |       |     |   |        |    |        |     |    |        |    |        |     |
| 8   | -  | -  | -      | -             |     |       |               |   |        |    |        |     |   |        |    |        |     |   |        |    |     |     |   |        |    |       |     |   |        |    |        |     |   |        |    |       |     |   |        |    |      |     |   |        |    |       |     |   |        |    |        |     |    |        |    |        |     |
| 9   | UL1061   | 28   | orange | 270           |     |       |               |   |        |    |        |     |   |        |    |        |     |   |        |    |     |     |   |        |    |       |     |   |        |    |        |     |   |        |    |       |     |   |        |    |      |     |   |        |    |       |     |   |        |    |        |     |    |        |    |        |     |
| 10  | UL1061   | 28   | purple | 270           |     |       |               |   |        |    |        |     |   |        |    |        |     |   |        |    |     |     |   |        |    |       |     |   |        |    |        |     |   |        |    |       |     |   |        |    |      |     |   |        |    |       |     |   |        |    |        |     |    |        |    |        |     |
| <p>●Model number<br/><b>H-SN-20</b></p> <p>Housing : PHDR-10VS(J.S.T)<br/>Pin : SPHD-002T-P0.5(J.S.T)<br/>Weight : 8g max</p> | <p>●Type</p>  | <p>●Wire</p> <table border="1" style="width: 100%; border-collapse: collapse;"> <thead> <tr> <th>Pin #</th> <th>Wire</th> <th>AWG</th> <th>Color</th> <th>Length ℓ (mm)</th> </tr> </thead> <tbody> <tr> <td>1</td> <td>-</td> <td>-</td> <td>-</td> <td>-</td> </tr> <tr> <td>2</td> <td>UL1061</td> <td>28</td> <td>red</td> <td>500</td> </tr> <tr> <td>3</td> <td>-</td> <td>-</td> <td>-</td> <td>-</td> </tr> <tr> <td>4</td> <td>UL1061</td> <td>28</td> <td>black</td> <td>500</td> </tr> <tr> <td>5</td> <td>UL1061</td> <td>28</td> <td>yellow</td> <td>500</td> </tr> <tr> <td>6</td> <td>UL1061</td> <td>28</td> <td>green</td> <td>500</td> </tr> <tr> <td>7</td> <td>UL1061</td> <td>28</td> <td>blue</td> <td>500</td> </tr> <tr> <td>8</td> <td>UL1061</td> <td>28</td> <td>black</td> <td>500</td> </tr> <tr> <td>9</td> <td>UL1061</td> <td>28</td> <td>orange</td> <td>500</td> </tr> <tr> <td>10</td> <td>UL1061</td> <td>28</td> <td>purple</td> <td>500</td> </tr> </tbody> </table> | Pin #  | Wire          | AWG | Color | Length ℓ (mm) | 1 | -      | -  | -      | -   | 2 | UL1061 | 28 | red    | 500 | 3 | -      | -  | -   | -   | 4 | UL1061 | 28 | black | 500 | 5 | UL1061 | 28 | yellow | 500 | 6 | UL1061 | 28 | green | 500 | 7 | UL1061 | 28 | blue | 500 | 8 | UL1061 | 28 | black | 500 | 9 | UL1061 | 28 | orange | 500 | 10 | UL1061 | 28 | purple | 500 |
| Pin #   | Wire   | AWG  | Color  | Length ℓ (mm) |     |       |               |   |        |    |        |     |   |        |    |        |     |   |        |    |     |     |   |        |    |       |     |   |        |    |        |     |   |        |    |       |     |   |        |    |      |     |   |        |    |       |     |   |        |    |        |     |    |        |    |        |     |
| 1   | -  | -  | -      | -             |     |       |               |   |        |    |        |     |   |        |    |        |     |   |        |    |     |     |   |        |    |       |     |   |        |    |        |     |   |        |    |       |     |   |        |    |      |     |   |        |    |       |     |   |        |    |        |     |    |        |    |        |     |
| 2   | UL1061   | 28   | red    | 500           |     |       |               |   |        |    |        |     |   |        |    |        |     |   |        |    |     |     |   |        |    |       |     |   |        |    |        |     |   |        |    |       |     |   |        |    |      |     |   |        |    |       |     |   |        |    |        |     |    |        |    |        |     |
| 3   | -  | -  | -      | -             |     |       |               |   |        |    |        |     |   |        |    |        |     |   |        |    |     |     |   |        |    |       |     |   |        |    |        |     |   |        |    |       |     |   |        |    |      |     |   |        |    |       |     |   |        |    |        |     |    |        |    |        |     |
| 4   | UL1061   | 28   | black  | 500           |     |       |               |   |        |    |        |     |   |        |    |        |     |   |        |    |     |     |   |        |    |       |     |   |        |    |        |     |   |        |    |       |     |   |        |    |      |     |   |        |    |       |     |   |        |    |        |     |    |        |    |        |     |
| 5   | UL1061   | 28   | yellow | 500           |     |       |               |   |        |    |        |     |   |        |    |        |     |   |        |    |     |     |   |        |    |       |     |   |        |    |        |     |   |        |    |       |     |   |        |    |      |     |   |        |    |       |     |   |        |    |        |     |    |        |    |        |     |
| 6   | UL1061   | 28   | green  | 500           |     |       |               |   |        |    |        |     |   |        |    |        |     |   |        |    |     |     |   |        |    |       |     |   |        |    |        |     |   |        |    |       |     |   |        |    |      |     |   |        |    |       |     |   |        |    |        |     |    |        |    |        |     |
| 7   | UL1061   | 28   | blue   | 500           |     |       |               |   |        |    |        |     |   |        |    |        |     |   |        |    |     |     |   |        |    |       |     |   |        |    |        |     |   |        |    |       |     |   |        |    |      |     |   |        |    |       |     |   |        |    |        |     |    |        |    |        |     |
| 8   | UL1061   | 28   | black  | 500           |     |       |               |   |        |    |        |     |   |        |    |        |     |   |        |    |     |     |   |        |    |       |     |   |        |    |        |     |   |        |    |       |     |   |        |    |      |     |   |        |    |       |     |   |        |    |        |     |    |        |    |        |     |
| 9   | UL1061   | 28   | orange | 500           |     |       |               |   |        |    |        |     |   |        |    |        |     |   |        |    |     |     |   |        |    |       |     |   |        |    |        |     |   |        |    |       |     |   |        |    |      |     |   |        |    |       |     |   |        |    |        |     |    |        |    |        |     |
| 10  | UL1061   | 28   | purple | 500           |     |       |               |   |        |    |        |     |   |        |    |        |     |   |        |    |     |     |   |        |    |       |     |   |        |    |        |     |   |        |    |       |     |   |        |    |      |     |   |        |    |       |     |   |        |    |        |     |    |        |    |        |     |



●Model number  
**H-SN-21**

Housing : PHDR-10VS(J.S.T)  
Pin : SPHD-002T-P0.5(J.S.T)  
Weight : 6g max

●Type

●Wire

| Pin # | Wire   | AWG | Color  | Length $\ell$ (mm) |
|-------|--------|-----|--------|--------------------|
| 1     | -      | -   | -      | -                  |
| 2     | -      | -   | -      | -                  |
| 3     | -      | -   | -      | -                  |
| 4     | -      | -   | -      | -                  |
| 5     | UL1061 | 28  | yellow | 500                |
| 6     | UL1061 | 28  | green  | 500                |
| 7     | UL1061 | 28  | blue   | 500                |
| 8     | UL1061 | 28  | black  | 500                |
| 9     | UL1061 | 28  | orange | 500                |
| 10    | UL1061 | 28  | purple | 500                |

●Model number  
**H-SN-22**

Housing : PHDR-8VS(J.S.T)  
Pin : SPHD-002T-P0.5(J.S.T)  
Weight : 5g max

●Type

●Wire

| Pin # | Wire   | AWG | Color  | Length $\ell$ (mm) |
|-------|--------|-----|--------|--------------------|
| 1     | -      | -   | -      | -                  |
| 2     | -      | -   | -      | -                  |
| 3     | UL1061 | 28  | pink   | 500                |
| 4     | UL1061 | 28  | brown  | 500                |
| 5     | UL1061 | 28  | white  | 500                |
| 6     | -      | -   | -      | -                  |
| 7     | UL1061 | 28  | yellow | 500                |
| 8     | UL1061 | 28  | gray   | 500                |

●Model number  
**H-SN-24**

CN A :  
Housing : PHDR-10VS(J.S.T)  
Pin : SPHD-002T-P0.5(J.S.T)

CN B :  
Housing : PHDR-08VS(J.S.T)  
Pin : SPHD-002T-P0.5(J.S.T)

Weight : 2g max

●Type

●Wire

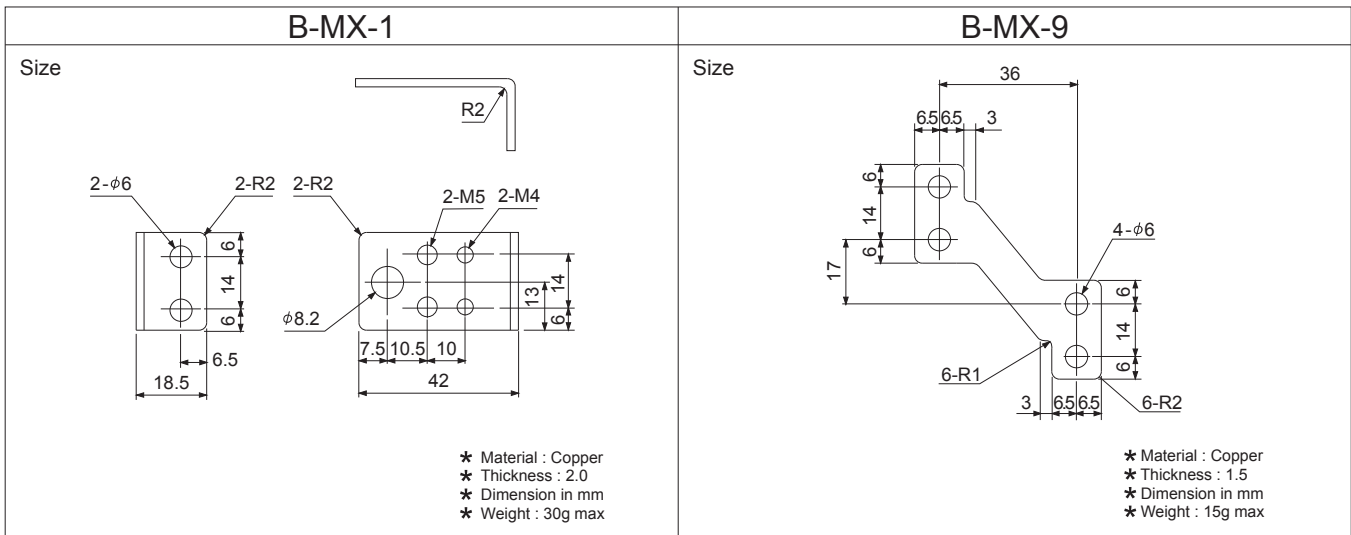
| Pin # | Wire | AWG    | Color | Length $\ell$ (mm) |    |
|-------|------|--------|-------|--------------------|----|
| CN A  | 1    | UL1061 | 28    | red                | 30 |
|       | 2    | UL1061 | 28    | red                | 30 |
|       | 3    | UL1061 | 28    | black              | 30 |
|       | 4    | UL1061 | 28    | black              | 30 |
|       | 5    | -      | -     | -                  | -  |
|       | 6    | -      | -     | -                  | -  |
|       | 7    | -      | -     | -                  | -  |
|       | 8    | -      | -     | -                  | -  |
|       | 9    | UL1061 | 28    | black              | 70 |
|       | 10   | UL1061 | 28    | black              | 70 |
| CN B  | 1    | -      | -     | -                  |    |
|       | 2    | -      | -     | -                  |    |
|       | 3    | -      | -     | -                  |    |
|       | 4    | UL1061 | 28    | black              | 70 |
|       | 5    | UL1061 | 28    | black              | 70 |
|       | 6    | -      | -     | -                  | -  |
|       | 7    | -      | -     | -                  | -  |
|       | 8    | -      | -     | -                  | -  |

\* Pin #1 and #2, Pin #3 and #4 in CN A are connected by harness.  
\* Pin #9 in CN A and Pin #4 in CN B are connected by harness.  
\* Pin #10 in CN A and Pin #5 in CN B are connected by harness.

## Terminal Attachment

Terminal attachment to facilitate two or more terminal connections to power supply output is prepared in PBA, MAX, ACE and AME series.

| Type   | Mating Model                                | Contents  |
|--------|---|---|
| B-MX-1 | PBA600F<br>MAX1600F<br>MAX1600T<br>MAX3200T | Terminal attachment to facilitate terminal connections to power supply output |
| B-MX-9 | MAX1600F<br>MAX1600T<br>MAX3200T            | Terminal attachment for series operation as output modules                    |



- \* It is necessary to install B-MX-1 on opposite direction to avoid short-circuit between + and - terminal block.
- \* Please note the direction of the installation to prevent the short-circuit between the outputs when using B-MX-1 and B-MX-9 at the same time.
- \* The cover of terminal block does not be attached to B-MX-1 with installation screw and solderless terminal occasionally.

## Fan unit

## PB Series

★ Fan unit is prepared by the option.

| Fan unit type                                 | Matching model                        | External                | Pin connection  |         |         |   |     |   |           |   |       |
|---|---------------------------------------|-------------------------|---|---------|---------|---|-----|---|-----------|---|-------|
| <b>FAN-PB3</b><br>(Standard)                  | <b>PBA300F</b><br><Standard>          | <br>★ Weight : 90g max  | CONNECTOR = PHR-3<br>(Mfr : J. S. T)<br>TERMINAL = SPH-002T-P0.5S<br>(Mfr : J. S. T) <table border="1"> <thead> <tr> <th>Pin No.</th> <th>Content</th> </tr> </thead> <tbody> <tr> <td>1</td> <td>GND</td> </tr> <tr> <td>2</td> <td>FAN ALARM</td> </tr> <tr> <td>3</td> <td>POWER</td> </tr> </tbody> </table> LENGTH OF HARNESS<br>= 40 ± 5mm    | Pin No. | Content | 1 | GND | 2 | FAN ALARM | 3 | POWER |
| Pin No.                                       | Content                               |                         |   |         |         |   |     |   |           |   |       |
| 1   | GND                                   |                         |   |         |         |   |     |   |           |   |       |
| 2   | FAN ALARM                             |                         |   |         |         |   |     |   |           |   |       |
| 3   | POWER                                 |                         |   |         |         |   |     |   |           |   |       |
| <b>FAN-PB3-F3</b><br>(Air flow reverse : -F3) | <b>PBA300F</b><br><Modification : F3> | <br>★ Weight : 90g max  |   |         |         |   |     |   |           |   |       |
| <b>FAN-PB3-F4</b><br>(Low speed : -F4)        | <b>PBA300F</b><br><Modification : F4> | <br>★ Weight : 90g max  |   |         |         |   |     |   |           |   |       |
| <b>FAN-PB6</b><br>(Standard)                  | <b>PBA600F</b><br><Standard>          | <br>★ Weight : 120g max | CONNECTOR = XAP-03V-1<br>(Mfr : J. S. T)<br>TERMINAL = SXA-001T-P0.6<br>(Mfr : J. S. T) <table border="1"> <thead> <tr> <th>Pin No.</th> <th>Content</th> </tr> </thead> <tbody> <tr> <td>1</td> <td>GND</td> </tr> <tr> <td>2</td> <td>FAN ALARM</td> </tr> <tr> <td>3</td> <td>POWER</td> </tr> </tbody> </table> LENGTH OF HARNESS<br>= 55 ± 7mm | Pin No. | Content | 1 | GND | 2 | FAN ALARM | 3 | POWER |
| Pin No.                                       | Content                               |                         |   |         |         |   |     |   |           |   |       |
| 1   | GND                                   |                         |   |         |         |   |     |   |           |   |       |
| 2   | FAN ALARM                             |                         |   |         |         |   |     |   |           |   |       |
| 3   | POWER                                 |                         |   |         |         |   |     |   |           |   |       |
| <b>FAN-PB6-F1</b><br>(Long life : -F1)        | <b>PBA600F</b><br><Modification : F1> | <br>★ Weight : 150g max |   |         |         |   |     |   |           |   |       |
| <b>FAN-PB6-F3</b><br>(Air flow reverse : -F3) | <b>PBA600F</b><br><Modification : F3> | <br>★ Weight : 120g max |   |         |         |   |     |   |           |   |       |
| <b>FAN-PB6-F4</b><br>(Low speed : -F4)        | <b>PBA600F</b><br><Modification : F4> | <br>★ Weight : 120g max |   |         |         |   |     |   |           |   |       |

- ★ 1 Handle with care and don't add the impact such as falls or throwing to the unit.
- ★ 2 Exchange the unit after intercepting the input power.
- ★ 3 When the unit is exchanged, make sure there are not loosening of the connector and shutting the harness.

## Fan unit

## PB Series

★Fan unit is prepared by the option.

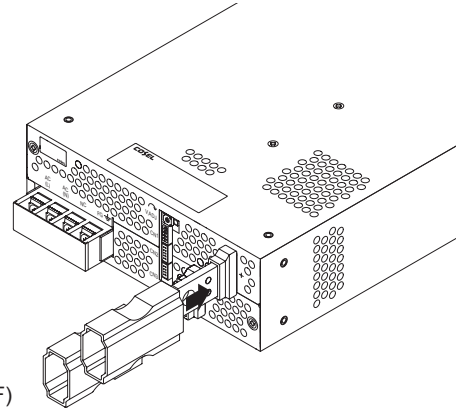
| Fan unit type                                  | Matching model  | External               | Pin connection  |         |         |   |     |   |           |   |       |
|--|---|------------------------|---|---------|---------|---|-----|---|-----------|---|-------|
| <b>FAN-PB10</b><br>(Standard)                  | <b>PBA1000F</b><br><Standard>                             | <br>★Weight : 210g max | <p>CONNECTOR = XAP-03V-1<br/>(Mfr : J. S. T)<br/>TERMINAL = SXA-001T-P0.6<br/>(Mfr : J. S. T)</p> <table border="1"> <thead> <tr> <th>Pin No.</th> <th>Content</th> </tr> </thead> <tbody> <tr> <td>1</td> <td>GND</td> </tr> <tr> <td>2</td> <td>FAN ALARM</td> </tr> <tr> <td>3</td> <td>POWER</td> </tr> </tbody> </table> <p>LENGTH OF HARNESS<br/>= 55 ± 7mm</p> | Pin No. | Content | 1 | GND | 2 | FAN ALARM | 3 | POWER |
| Pin No.  | Content   |                        |   |         |         |   |     |   |           |   |       |
| 1  | GND   |                        |   |         |         |   |     |   |           |   |       |
| 2  | FAN ALARM   |                        |   |         |         |   |     |   |           |   |       |
| 3  | POWER   |                        |   |         |         |   |     |   |           |   |       |
| <b>FAN-PB10-F1</b><br>(Long life : -F1)        | <b>PBA1000F</b><br><Modification : F1>                    | <br>★Weight : 260g max |   |         |         |   |     |   |           |   |       |
| <b>FAN-PB10-F3</b><br>(Air flow reverse : -F3) | <b>PBA1000F</b><br><Modification : F3>                    | <br>★Weight : 210g max |   |         |         |   |     |   |           |   |       |
| <b>FAN-PB10-F4</b><br>(Low speed : -F4)        | <b>PBA1000F</b><br><Modification : F4>                    | <br>★Weight : 200g max |   |         |         |   |     |   |           |   |       |
| <b>FAN-PB15</b><br>(Standard)                  | <b>PBA1500F</b><br><b>PBA1500T</b><br><Standard>          | <br>★Weight : 210g max |   |         |         |   |     |   |           |   |       |
| <b>FAN-PB15-F1</b><br>(Long life : -F1)        | <b>PBA1500F</b><br><b>PBA1500T</b><br><Modification : F1> | <br>★Weight : 260g max |   |         |         |   |     |   |           |   |       |
| <b>FAN-PB15-F3</b><br>(Air flow reverse : -F3) | <b>PBA1500F</b><br><b>PBA1500T</b><br><Modification : F3> | <br>★Weight : 210g max |   |         |         |   |     |   |           |   |       |
| <b>FAN-PB15-F4</b><br>(Low speed : -F4)        | <b>PBA1500F</b><br><b>PBA1500T</b><br><Modification : F4> | <br>★Weight : 200g max |   |         |         |   |     |   |           |   |       |

- ★ 1 Handle with care and don't add the impact such as falls or throwing to the unit.
- ★ 2 Exchange the unit after intercepting the input power.
- ★ 3 When the unit is exchanged, make sure there are not loosening of the connector and shutting the harness.

## Insulated tube for PBA1000F, PBA1500F, PBA1500T, PJA1000F & PJA1500F

This is a tube used to insulate an output terminal.

| Plate model | Applicable to model                              |
|-------------|--|
| T-PBA1500-1 | PBA1000F, PBA1500F, PBA1500T, PJA1000F, PJA1500F |
| T-PBA1500-2 | PBA1000F, PBA1500F, PBA1500T, PJA1000F, PJA1500F |



Example(PBA1500F)

(Unit : mm) (Tolerance : ±1)

| T-PBA1500-1   | T-PBA1500-2   |
|---|---|
| <p>★ This is used when insulating the tip portion of an output terminal.</p> <p>★ Material : Silicone rubber Black<br/>★ Weight : 15g max</p> | <p>★ This is used when insulating the root portion of an output terminal.</p> <p>★ Material : Silicone rubber Black<br/>★ Weight : 2g max</p> |

★ If this product is attached, a wiring portion can't visible.  
Be careful not to forget to attach the screw or the bolt for electric wire connection.

## X-ON Electronics

Largest Supplier of Electrical and Electronic Components

*Click to view similar products for [DC Power Cords](#) category:*

*Click to view products by [Cosel](#) manufacturer:*

Other Similar products are found below :

[2R6006A20A120](#) [172-4000](#) [172-4101](#) [172-7443-E](#) [21033836407](#) [2J-1865A](#) [426055400-3](#) [MN47A4BC01M010](#) [H-OU-2](#) [CA0002](#)  
[420680840-3](#) [426451500-3](#) [P162PT4-36](#) [1-832692-4](#) [FJ-VSP 3M](#) [96CB-POWER-B-1.8M2](#) [426040200](#) [CA0006](#) [H-OU-27](#) [1700019464](#) [FJ-](#)  
[VSP 10M](#) [MN47B4BC01M040](#) [H-OU-20](#) [2-836917-8](#) [867566-1](#) [804001P03M050G](#) [2050KH1-BK](#) [58257-1069](#) [2058KZ3-BK](#) [216603-0037](#)  
[1011147](#) [1011324](#) [1012028](#) [BXC-10567](#) [172-2555](#) [32102-022800-200-RS](#) [P29000-M2](#) [P29004-M2](#) [AK-SC-31](#) [AK-SC-32](#)  
[DC.EXT.0200.0050](#) [DC.EXT.0200.0100](#) [DC.CAB.0201.0150](#) [DC.CAB.0301.0150](#) [DC.CAB.0610.0150](#) [DC.CAB.0700.0150](#)  
[DC.CAB.1000.0150](#) [DC.CAB.1000.0300](#) [DC.CAB.1100.0150](#) [DC.CAB.1400.0150](#)