

# JAC series(6-30A)

JAC -30 -683 -□

① ② ③ ④

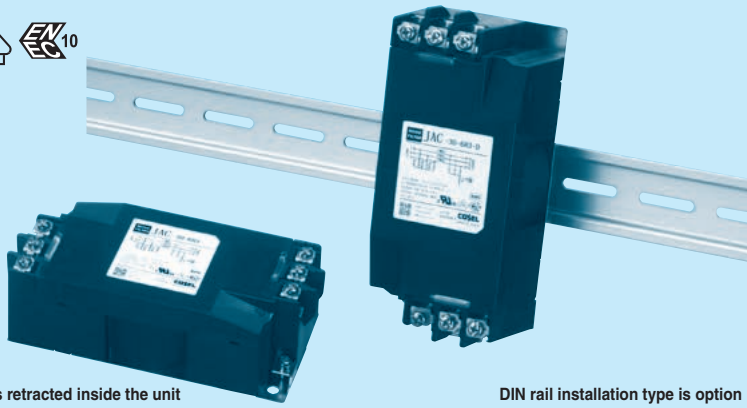
- ① Model Name
- ② Rated Current
- ③ Line to ground capacitor code: See table 1.1.

table 1.1 Line to ground capacitor code

Code	Leakage Current (Input 250/500V 60Hz) (Only "224" is 250/400V 60Hz)	Line to ground capacitor (nominal value)
103	0.5mA / 1.0mA max	10,000pF
223	1.0mA / 2.0mA max	22,000pF
683	2.5mA / 5.0mA max	68,000pF
224	15mA / 24mA max	220,000pF

\* When the line to ground capacitor code is different, the attenuation characteristic is different.

- ④ Option
- D: DIN rail installation type  
\* The dimensions change when the option is set. Refer to External view.
- H: Ultra high-attenuation type  
"103", "223", "683" is applied.
- U: Improve differential mode attenuation (Rated voltage 250V)



The terminal cover is retracted inside the unit

DIN rail installation type is option

## Features of JAC series

### Compact and low profile, common mode EMI/EMC filters in 150kHz to 1MHz (1-stage filter)

- Three Phase 500 VAC
- Push down type terminal block
- Selectable leakage current value, Ultra high-attenuation type "224" for EU (Y type with neutral earth system)

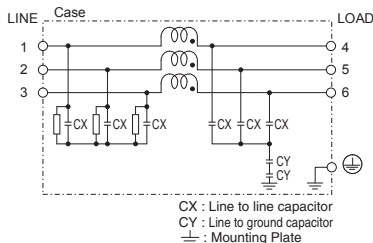
## Specifications

No.	Items	JAC-06-683	JAC-10-683	JAC-20-683	JAC-30-683
1	Rated Voltage[V]	AC Three Phase 500 (voltage range:528 max) 50/60Hz *1 *2			
2	Rated Current[A]	6	10	20	30
3	Test Voltage (Terminal-Mounting Plate)	2,500 VAC (Cutoff Current = 100mA), 1minute at room temperature and humidity *3			
4	Isolation Resistance (Terminal-Mounting Plate)	500 VDC 100MΩ min at room temperature and humidity *4			
5	Leakage current 250/500V 60Hz	2.5mA/5.0mA max			
6	DC resistance	100mΩ max	45mΩ max	15mΩ max	8mΩ max
7	Safety agency approval temperatures	-25 to +85°C (Refer to Derating Curve)			
8	Operating temperature	-40 to +85°C (Refer to Derating Curve)			
9	Operating humidity	20 to 95%RH (Non condensing)			
10	Storage temperature/humidity	-40 to +85°C/20 to 95%RH (Non condensing)			
11	Vibration	10 to 55Hz, 19.6m/s <sup>2</sup> (2G), 3min. Period, 1hour each X, Y and Z axis			
12	Impact	196.1m/s <sup>2</sup> (20G), 11ms Once each X, Y and Z axis			
13	Safety agency approvals	UL1283, CSA C22.2 No.8 (C-UL), DIN EN60939 VDE0565 Teil3-1, ENEC			
14	Case size (without projection)	63 X 44 X 132 mm (W X H X D) (Option: -D refer to external view) [2.48 X 1.73 X 5.20 inches] (W X H X D)			
15	Weight	440g max			

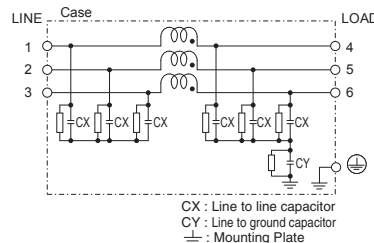
- \*1 Capacitor code "224" : Three Phase Δ-connection 400 (440 max), Y-connection 500 (528 max).
- \*2 "JAC-□□□□□□□□-U" : Three Phase 250 (275 max).
- \*3 Capacitor code "224" : 2,800VDC (Cutoff Current = 10mA), 1 minute at room temperature and humidity.
- \*4 Capacitor code "224" : Isolation resistance specification is deleted.

## Circuit Diagram

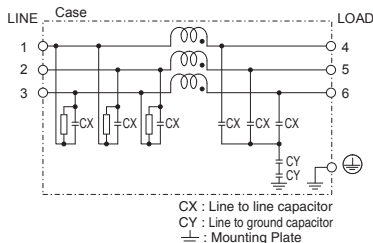
(1) Line to ground capacitor code : 103, 223, 683



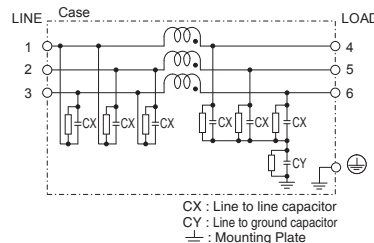
(2) Line to ground capacitor code : 224



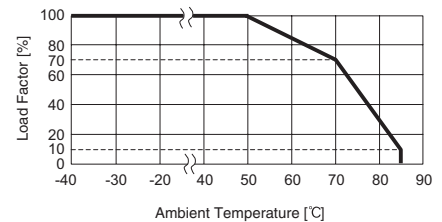
(3) Line to ground capacitor code : 103, 223, 683  
Option : U



(4) Line to ground capacitor code : 224  
Option : U



## Derating Curve

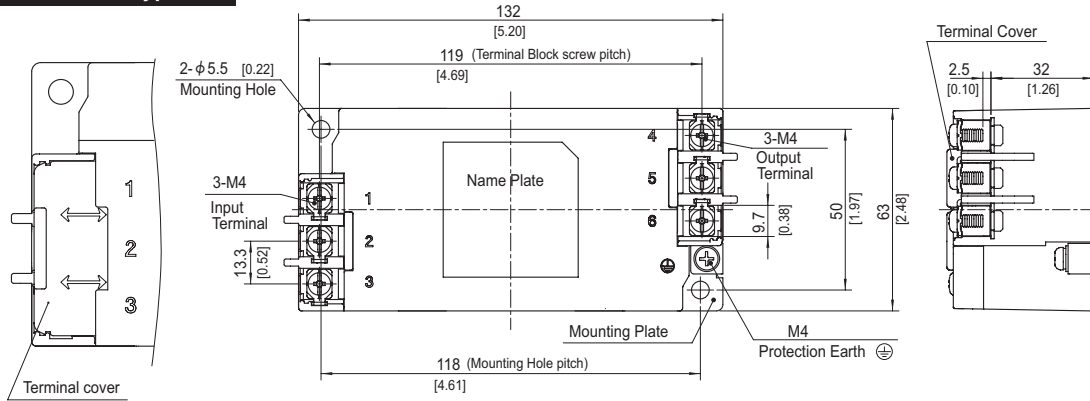


## External view

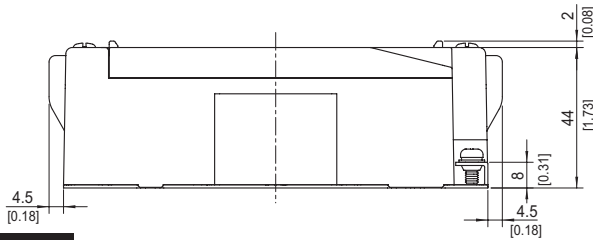
This product is shipped in the following condition, because it is equipped with push-down terminals.

- ① The terminal cover is retracted inside the unit.
- ② The screws for connecting the terminals are held in the up right position.

### Standard Type

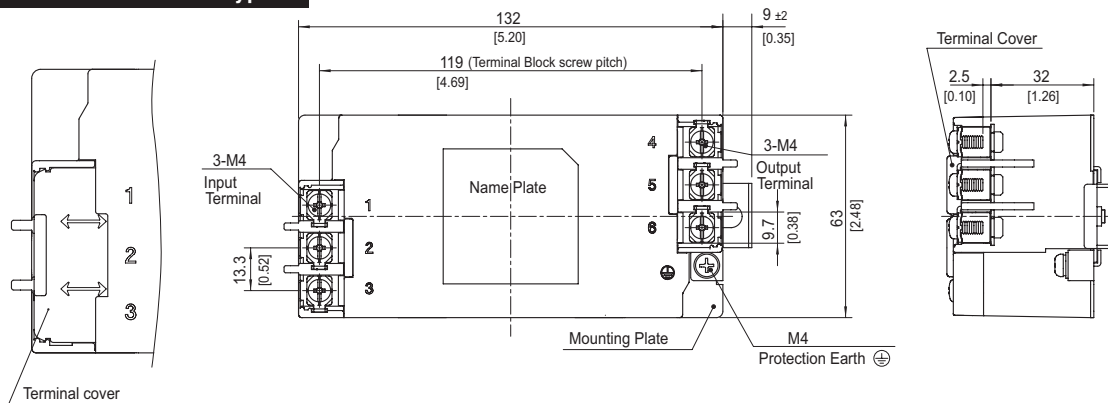


※ Close the terminal cover

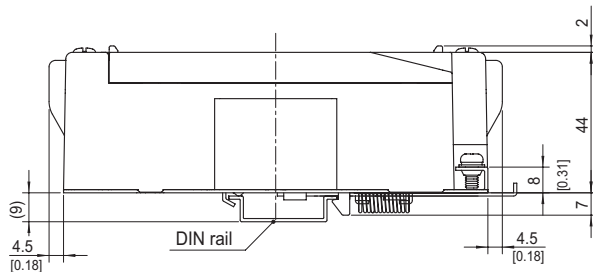


- ※ Tolerance :  $\pm 1[\pm 0.04]$
- ※ Weight : 440g max
- ※ Mounting Plate : Iron(surface finishing : nickel plating)  $t=1.0[0.04]$
- ※ Case : PBT
- ※ Dimensions in mm, [ ]=inches
- ※ Terminal block screw tightening torque M4 : 1.6N · m(16.9kgf · cm)max

### DIN rail installation Type



※ Close the terminal cover

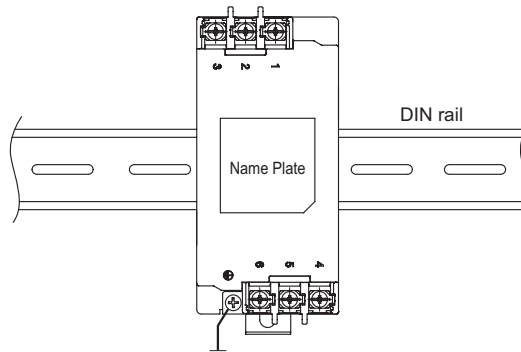


- ※ Tolerance :  $\pm 1[\pm 0.04]$
- ※ Weight : 440g max
- ※ Mounting Plate : Iron(surface finishing : nickel plating)  $t=1.0[0.04]$
- ※ Case : PBT
- ※ Dimensions in mm, [ ]=inches
- ※ Terminal block screw tightening torque M4 : 1.6N · m(16.9kgf · cm)max

### ■ Note when installing the EMI/ EMC Filter on a DIN rail.

When the EMI/EMC Filter is grounded through the DIN rail, the proper noise attenuation may not be achieved.

Be sure to connect the protection earth (PE) of the EMI/EMC Filter body to the earth.



## X-ON Electronics

Largest Supplier of Electrical and Electronic Components

*Click to view similar products for [Power Line Filters](#) category:*

*Click to view products by [Cosel](#) manufacturer:*

Other Similar products are found below :

[6609019-3](#) [6609026-5](#) [6609030-6](#) [6609973-2](#) [D30A](#) [7-1609090-5](#) [F2810](#) [F4456A](#) [F7382Z](#) [F7863Z](#) [FAHAV3100ZC000](#) [806276](#) [FN2020B-1-06](#) [FN2080B-10-06](#) [FN2410H-32-33](#) [FN2410H-80-34](#) [FP144](#) [FS4153-20-06](#) [FS4353-500-99](#) [12-MMB-030-11-D](#) [DB4-393](#) [15811T200](#)  
[20B1](#) [LC630](#) [2B1](#) [1609080-2](#) [1609993-8](#) [1-6609070-1](#) [F1100AA02](#) [F1150CC10](#) [F1500CA10](#) [F1500CA15](#) [F4041Z](#) [F7585E](#) [1B1](#)  
[FN2070A-16-06](#) [FN2090A-20-06](#) [FN2090B-12-06](#) [FN2090Z-1-06](#) [FN2410H-25-33](#) [FN2410H-60-34](#) [FN2410H-8-44](#) [FN2412H-8-44](#)  
[FN323B-6-01](#) [FN610R-3-06](#) [20EHQ7](#) [20EHZ7](#) [20K1](#) [30B6](#) [3K1](#)