

# P R B X

POWERBOX Industrial Line  
OFI1200A Series  
1200W Single Output  
AC/DC Baseplate Power Supply

OFI1200A – a powerful a powerful baseplate cooling power supply for demanding applications. The design of transfer heat to the baseplate makes it suitable for none ventilated applications as in sealed enclosures. A product that is suitable for wide application areas in industrial and others. Ruggedized construction makes it ideal for harsh environmental applications.

## Features

Conductive cooling
Output active ORing (optional only 28Vdc & 48Vdc)
Paralleling & Redundancy operation
Voltage & Current, wide range adjustable (see manual)
Active current share
Vibration/shock according MIL-STD-810H
Power Good
Remote sense
Remote On/Off
OCP, OVP, OTP, SCP

## Input

Input voltage range	85-305VAC
Nominal input voltage	100-277VAC
Input voltage DC	No
Input frequency	47-63Hz
Protection class	I (with ground)
Power factor	0.98/0.95 (110VAC/230VAC)
Inrush current	40A typ.
Input current	12V: 10.9A/ 5.1A
@110/230VAC	28V & 48V: 12.5A/ 5.8A
Hold up time	20ms (230VAC, Full load)
Input fuse	Yes
Turn on time	600ms typ. (Remote on 100ms) @-40°C deg. <sup>1)</sup>
Leakage current	<1.5mA at 277VAC/60Hz

## Output

Output volt./Cur./Power	See table
Output peak power	N/A
Minimum load	0A
Line regulation	0.5% mV max
Load regulation	0.5% mV max. 10-90% load change
Temp. coefficient	± 0.02%/°C
Ripple & noise (20MHz BW)	1%, :1,5% for 12Vdc. (2% below 0°C)
Output voltage adj.	Potentiometer & ext. voltage. <sup>2)</sup>
Paralleling	Yes, up to 9 units



## Environmental

Operating temperature	-40°C to +95°C
Baseplate assembly	
Derating	See manual
Operating humidity	20-95%RH (Non condensing)
Altitude operation	max. 5000m
Storage temperature	-40°C to +85°C
Storage humidity	20-95%RH (Non condensing)
Vibration	MIL-STD-810H, Cat. 4 Fig. 514.8C-3
Shock	MIL-STD-810H, Procedure 1, 20G 11ms, Ground material

## Mechanical

Size WxHxD	With cover option: 142x40x260mm Without cover: 142x39x260mm
IP class	IPX0
Weight	1.2kg (1.4kg with cover)
Connectors	Input: Phoenix MKDS 5/ 3-9,5 (1714984) Output: Studs/M6 Screw Signals: Molex 818311041
Connector placement	Input and Output on each side

## General

MTBF Telcordia	>1,990,000h @ 25°C, full load
Life time expectations	See manual

Model Number	Output Voltage	Output Current	Output Voltage adj. <sup>2)</sup>	Efficiency 110VAC/230VAC
OFI1200A12	12VDC	~0-84A	~0-14.4VDC	84% / 86.5%
OFI1200A28	28VDC	~0-43A	~0-33.6VDC	88% / 90.5%
OFI1200A48	48VDC	~0-25A	~0-57.6VDC	89% / 92%

## Note

- For startup below -20°C see manual.
- Wide output adj. see manual. Full adj. range only when use external voltage VTRM. On board potentiometer adj. range 35% to 120% of nominal o/p voltage. For option -O: o/p adj. range 5V to 120% of nominal voltage, if need below <5VDC contact Powerbox.
- See manual

### Protection Circuit and Others

Over current protection	Yes, works over 105% of rating auto recovery
Type of current limit	Hiccup <sup>3)</sup>
Constant current mode	Yes (when current level adjusted otherwise hiccup)
Over voltage protection	Yes
Over temp. protection	Yes
Remote sensing	Yes
Remote ON/OFF	Yes
Output LED	Yes, green (operate only at nominal o/p voltage)
Active ORing	Only for 28V & 48V version (optional)

### Control and Communication

Power Good	Yes, Normal operation: Low
VTRM, ITRM	Yes

### Isolation

Input -Output, RC	3000VAC
Input-FG	2000VAC
Output-FG	500VAC
Output - RC, PG	100VAC

### Safety Standards

UL certificate	UL62368-1 3 <sup>rd</sup> ed. 2019 CSA 22.2 No. 62368-1:19 3 <sup>rd</sup> ed.
CB certificate evaluated to	IEC 62368-1:2018 EN62368-1:2020+A11:2020 BS EN62368-1:2020+A11:2020
Certification mark	CE, UKCA, cURus
RoHS	Yes, Directive 2011/65/EU (2015/863)

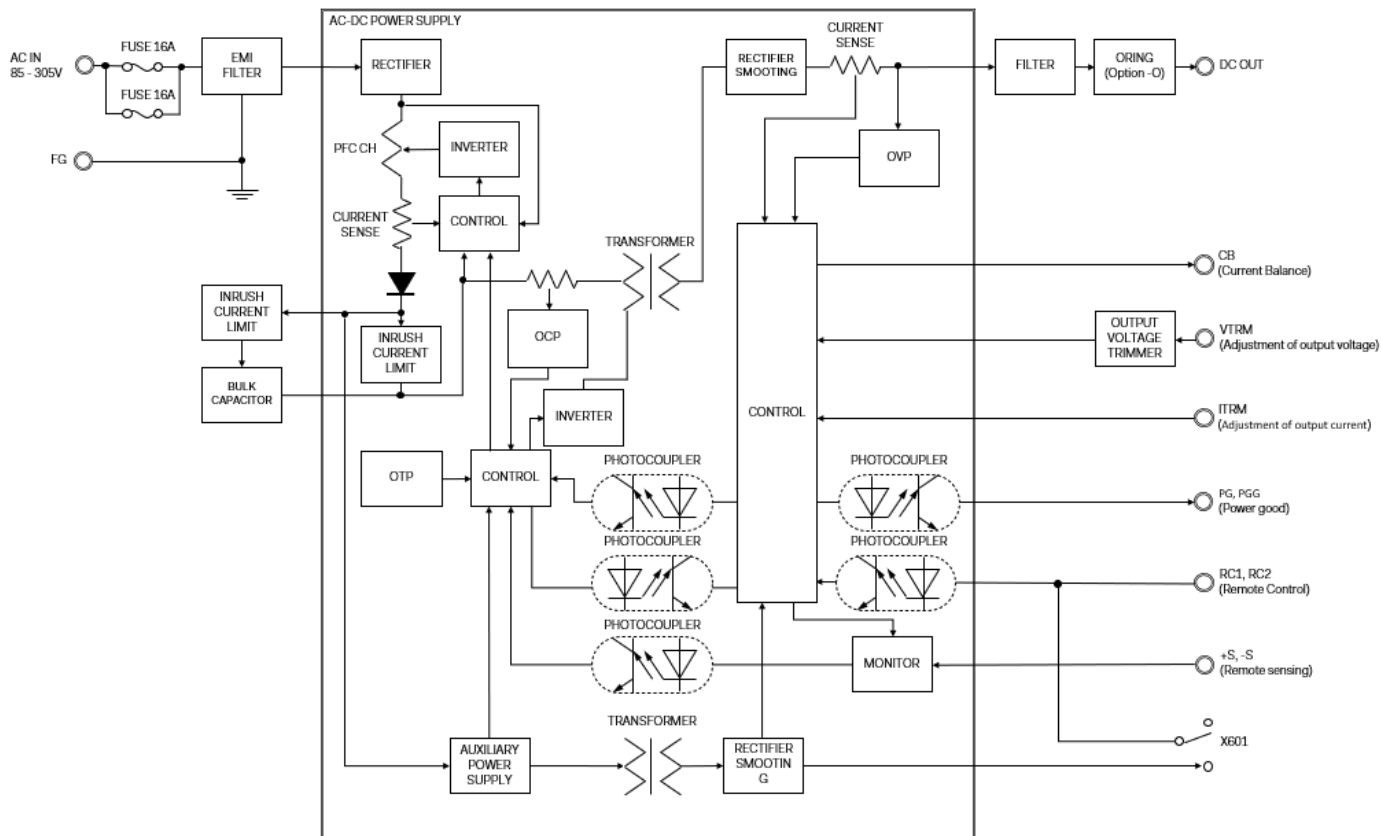
### EMC

Harmonic attenuator	EN61000-3-2 class A, (C >50% load)
Flicker	EN61000-3-3
Conducted noise	EN55032 class B with/without cover
Radiated noise	EN55032 class A with/without cover
EMS immunity	Compliance to EN61000-4-2, 3, 4, 5, 6, 8, 11

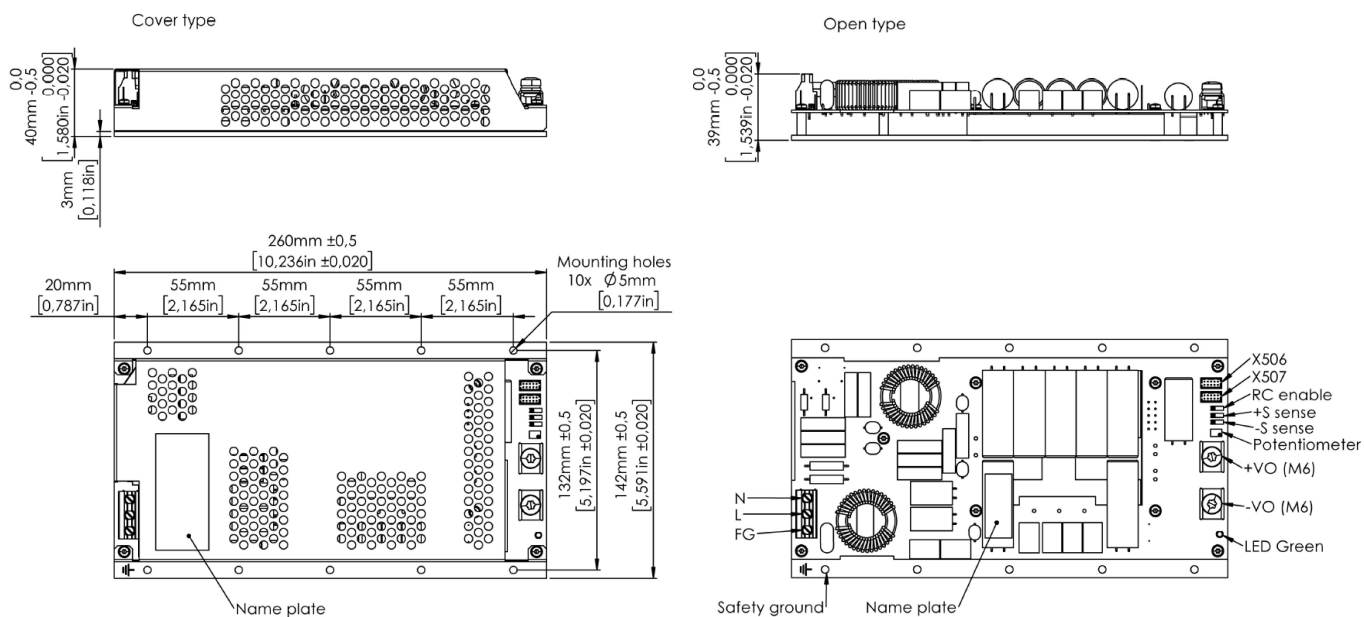
### Part numbers and options

OF1200A	XX	-	YY
	O/p Voltage		Option
	12: 12VDC		N: Cover
	28: 28VDC		O: Oring (only for 28 & 48)
	48: 48VDC		

**Block diagram**



**Mechanical dimensions**



## X-ON Electronics

Largest Supplier of Electrical and Electronic Components

*Click to view similar products for [Switching Power Supplies](#) category:*

*Click to view products by [Cosel](#) manufacturer:*

Other Similar products are found below :

[70841011](#) [73-551-0005](#) [73-551-0048](#) [EVS57-5R3/A](#) [AAD600S-4-OP](#) [MS924](#) [HWS50A-5/RA](#) [KD0204](#) [LDIN100150](#) [FP80](#) [FRV7000G](#)  
[22929](#) [PS3E-F12F](#) [CQM1IA121](#) [VI-PU22-EXX](#) [LDIN5075](#) [432703037161](#) [09-160CFG](#) [LPM000-BBAR-08](#) [LPM000-BBAR-07](#) [08-30466-](#)  
[1055G](#) [DMB-EWG](#) [CQM1IPS01](#) [SP-300-5](#) [CQM1-IPS02](#) [VI-MUL-ES](#) [22829](#) [08-30466-0028G](#) [09-250CFG](#) [CA400](#) [H47251](#) [96PSR-](#)  
[A460WOTH-2](#) [VP-E2935648E](#) [G08-L](#) [G06-Q01](#) [GHA300F-12-SNF](#) [MTA040009A](#) [FSA150024A](#) [VI-RUR22-EWXX](#) [VI-PU03-EYW](#)  
[PM1-03B-48-2](#) [VI-LUF-EW](#) [VI-QCWB3-CSV](#) [HLS30ZE-NT8](#) [UT1404-7](#) [ERP-350-12](#) [S8FSG01512C](#) [S8FSG03012C](#) [VI-PU22-EYY](#)  
[XPFM201A+](#) [S8FS-G15015C](#)