

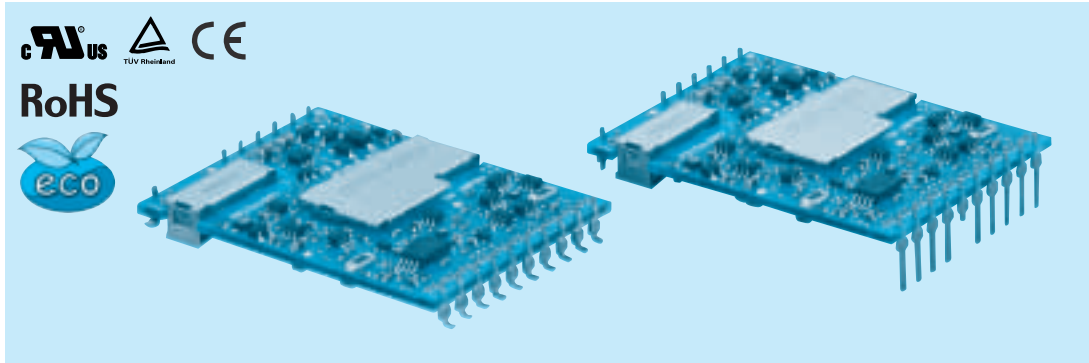
COSEL DC-DC Converters PCB Mount type

**SFS15**

Ordering information

**SF S 15 48 3R3 B**

① ② ③ ④ ⑤ ⑥



- ① Series name  
 ② Single output  
 ③ Output wattage  
 ④ Input voltage  
 24:DC18 - 36V  
 48:DC36 - 76V  
 ⑤ Output voltage  
 ⑥ Mounting type  
 (Soldering process)  
 B :SMD(Pb-free solder)  
 C :DIP(Pb-free solder)

MODEL	SFS15241R5	SFS15241R8	SFS15242R5	SFS15243R3	SFS152405	SFS152412	SFS152415
MAX OUTPUT WATTAGE[W]	7.8	8.1	11.25	14.85	15.0	15.0	15.0
DC OUTPUT	1.5V 5.2A	1.8V 4.5A	2.5V 4.5A	3.3V 4.5A	5V 3A	12V 1.25A	15V 1A

**SPECIFICATIONS**

	MODEL	SFS15241R5	SFS15241R8	SFS15242R5	SFS15243R3	SFS152405	SFS152412	SFS152415
INPUT	VOLTAGE[V]	DC18 - 36						
	CURRENT[A]	*1 0.39typ	0.4typ	0.54typ	0.7typ	0.69typ	0.7typ	0.7typ
	EFFICIENCY[%]	*1 83typ	85typ	87typ	89typ	90typ	89typ	89typ
	START-UP VOLTAGE[V]	DC16 - 18						
	HYSTERESIS VOLTAGE[V]	DC1 min						
OUTPUT	VOLTAGE[V]	1.5	1.8	2.5	3.3	5	12	15
	CURRENT[A]	5.2	4.5	4.5	4.5	3	1.25	1
	VOLTAGE ACCURACY[%]	+5, -3						
	RIPPLE[mVp-p]	25max					120max	
	RIPPLE NOISE[mVp-p]	50max					150max	
	START-UP TIME[ms]	20 - 200max (DCIN 24V, Io=100%)						
PROTECTION CIRCUIT AND OTHERS	OUTPUT VOLTAGE SETTING *1	±1% of rated output voltage						
	OVERCURRENT PROTECTION	Works over 103% of rating						
	OVERVOLTAGE PROTECTION	Works at 120 - 140% of rating						
	LOWVOLTAGE PROTECTION	Works at 90% max of rating						
	REMOTE ON/OFF	Provided(RC open : ON, short between RC and +Vin : OFF)						

MODEL	SFS15481R2	SFS15481R5	SFS15481R8	SFS154802	SFS15482R5	SFS15483R3	SFS154805	SFS154812	SFS154815
MAX OUTPUT WATTAGE[W]	6.24	7.8	8.1	9.0	11.25	14.85	15.0	15.0	15.0
DC OUTPUT	1.2V 5.2A	1.5V 5.2A	1.8V 4.5A	2V 4.5A	2.5V 4.5A	3.3V 4.5A	5V 3A	12V 1.25A	15V 1A

**SFS/SFCS SPECIFICATIONS**

	MODEL	SFS15481R2	SFS15481R5	SFS15481R8	SFS154802	SFS15482R5	SFS15483R3	SFS154805	SFS154812	SFS154815
INPUT	VOLTAGE[V]	DC36 - 76								
	CURRENT[A]	*1 0.16typ	0.2typ	0.2typ	0.22typ	0.27typ	0.35typ	0.35typ	0.35typ	0.35typ
	EFFICIENCY[%]	*1 82typ	83typ	85typ	86typ	87typ	89typ	90typ	89typ	89typ
	START-UP VOLTAGE[V]	DC32 - 36								
	HYSTERESIS VOLTAGE[V]	DC2 min								
OUTPUT	VOLTAGE[V]	1.2	1.5	1.8	2	2.5	3.3	5	12	15
	CURRENT[A]	5.2	5.2	4.5	4.5	4.5	4.5	3	1.25	1
	VOLTAGE ACCURACY[%]	+5, -3								
	RIPPLE[mVp-p]	25max							120max	
	RIPPLE NOISE[mVp-p]	50max							150max	
	START-UP TIME[ms]	20 - 200max (DCIN 48V, Io=100%)								
PROTECTION CIRCUIT AND OTHERS	OUTPUT VOLTAGE SETTING *1	±1% of rated output voltage								
	OVERCURRENT PROTECTION	Works over 103% of rating								
	OVERVOLTAGE PROTECTION	Works at 120 - 140% of rating								
	LOWVOLTAGE PROTECTION	Works at 90% max of rating								
	REMOTE ON/OFF	Provided(RC open : ON, short between RC and +Vin : OFF)								

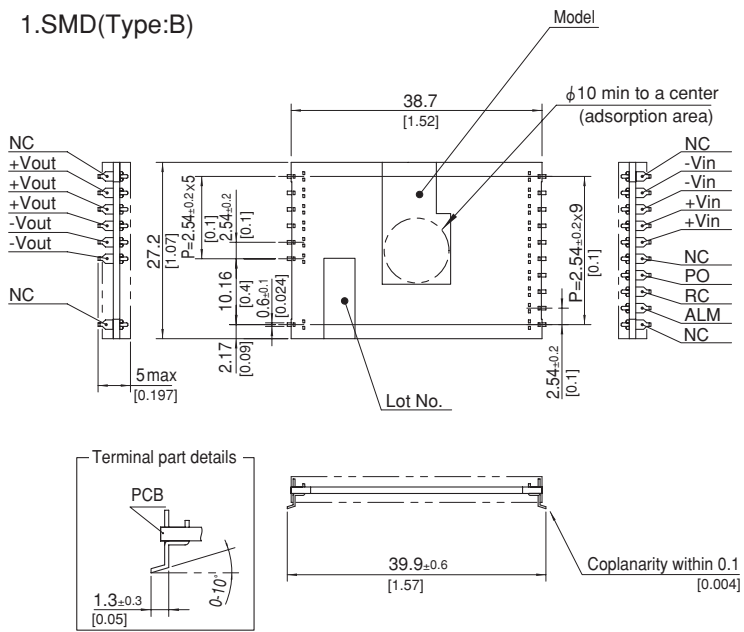
**GENERAL SPECIFICATIONS**

<b>ISOLATION</b>	<b>INPUT-OUTPUT</b>	DC1,500V 1minute, DC500V 50MΩ min (20±15℃)
<b>ENVIRONMENT</b>	<b>OPERATING TEMP.,HUMID.AND ALTITUDE</b>	-40 to +85℃, 20 - 95%RH (Non condensing), 3,000m (10,000feet) max
	<b>STORAGE TEMP.,HUMID.AND ALTITUDE</b>	-40 to +100℃, 20 - 95%RH (Non condensing), 9,000m (30,000feet) max (SMD:Refer to the Instruction Manual)
	<b>VIBRATION</b>	10 - 55Hz, 49.0m/s <sup>2</sup> (5G), 3minutes period, 60minutes each along X, Y and Z axis
<b>SAFETY</b>	<b>IMPACT</b>	196.1m/s <sup>2</sup> (20G), 11ms, once each X, Y and Z axis
	<b>AGENCY APPROVALS</b>	UL60950-1, C-UL (CSA60950-1), EN60950-1
<b>OTHERS</b>	<b>CASE SIZE/WEIGHT</b>	38.7×5.0×27.2mm [1.52×0.197×1.07 inches] (W×H×D) /12g max
	<b>COOLING METHOD</b>	Convection

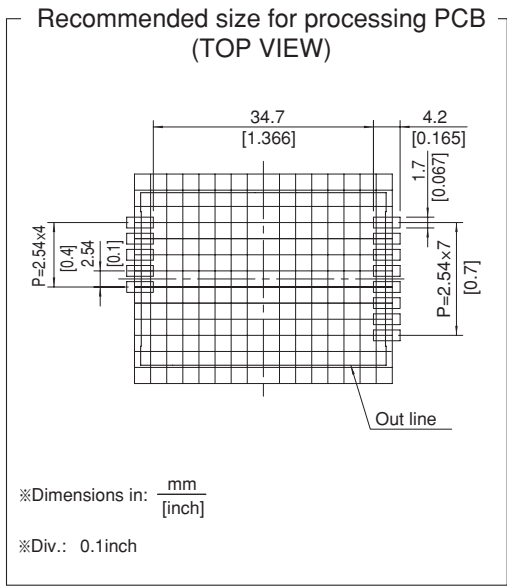
\*1 At rated input(DC24V, DC48V), rated load and 25℃

**External view**

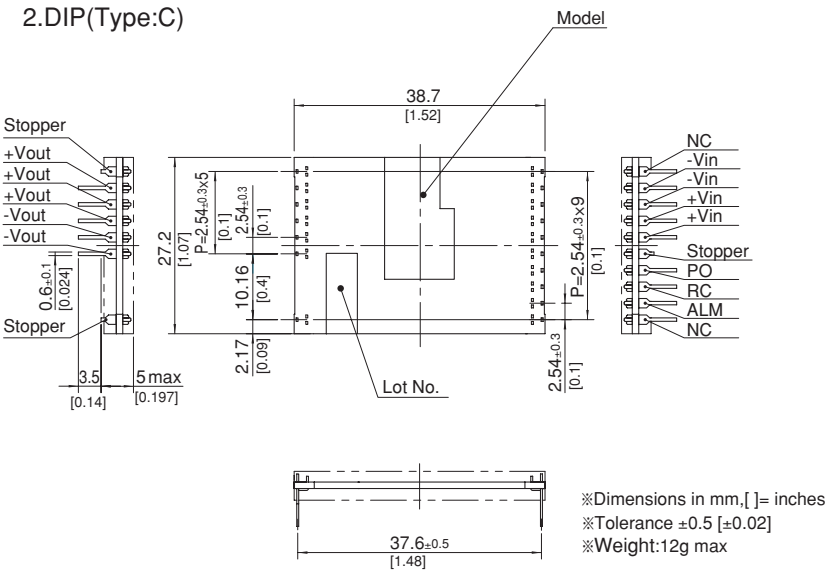
**1.SMD(Type:B)**



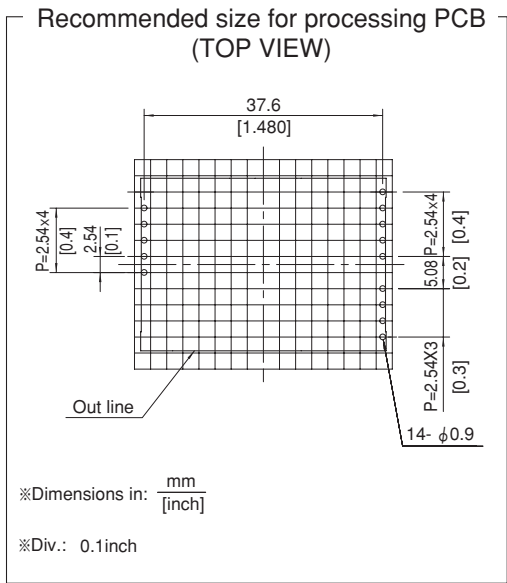
**Recommended size for processing PCB (TOP VIEW)**



**2.DIP(Type:C)**



**Recommended size for processing PCB (TOP VIEW)**



SFS/SFCS

## X-ON Electronics

Largest Supplier of Electrical and Electronic Components

*Click to view similar products for [Isolated DC/DC Converters](#) category:*

*Click to view products by [Cosel](#) manufacturer:*

Other Similar products are found below :

[ESM6D044440C05AAQ](#) [FMD15.24G](#) [PSL486-7LR](#) [Q48T30020-NBB0](#) [JAHW100Y1](#) [SPB05C-12](#) [SQ24S15033-PS0S](#) [18952](#) [19-130041](#)  
[CE-1003](#) [CE-1004](#) [GQ2541-7R](#) [RDS180245](#) [MAU228](#) [J80-0041NL](#) [DFC15U48D15](#) [XGS-0512](#) [XGS-1205](#) [XGS-1212](#) [XGS-2412](#) [XGS-2415](#) [XKS-1215](#) [06322](#) [NCT1000N040R050B](#) [SPB05B-15](#) [SPB05C-15](#) [L-DA20](#) [DCG40-5G](#) [QME48T40033-PGB0](#) [XKS-2415](#) [XKS-2412](#)  
[XKS-1212](#) [XKS-1205](#) [XKS-0515](#) [XKS-0505](#) [XGS-2405](#) [XGS-1215](#) [XGS-0515](#) [PS9Z-6RM4](#) [73-551-5038I](#) [AK1601-9RT](#) [VI-N61-CM](#) [VI-R5022-EXWW](#) [PSC128-7iR](#) [RPS8-350ATX-XE](#) [DAS1004812](#) [PQA30-D24-S24-DH](#) [VI-M5F-CQ](#) [VI-LN2-EW](#) [VI-PJW01-CZY](#)