

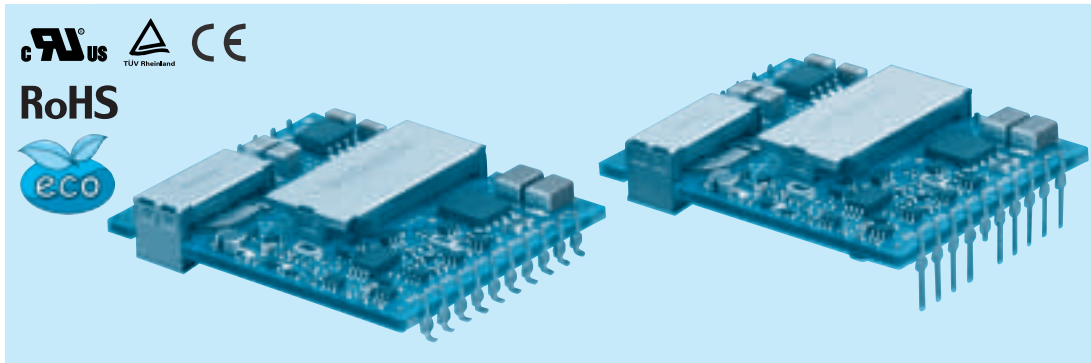
COSEL DC-DC Converters PCB Mount type

SFS30

Ordering information

SF S 30 48 3R3 B

① ② ③ ④ ⑤ ⑥



- ① Series name
 ② Single output
 ③ Output wattage
 ④ Input voltage
 24:DC18 - 36V
 48:DC36 - 76V
 ⑤ Output voltage
 ⑥ Mounting type
 (Soldering process)
 B :SMD(Pb-free solder)
 C :DIP(Pb-free solder)

MODEL	SFS30241R2	SFS30241R5	SFS30241R8	SFS30242R5	SFS30243R3	SFS302405	SFS302412	SFS302415
MAX OUTPUT WATTAGE[W]	12.48	15.6	16.2	22.5	29.7	30.0	30.0	30.0
DC OUTPUT	1.2V 10.4A	1.5V 10.4A	1.8V 9A	2.5V 9A	3.3V 9A	5V 6A	12V 2.5A	15V 2A

SPECIFICATIONS

	MODEL	SFS30241R2	SFS30241R5	SFS30241R8	SFS30242R5	SFS30243R3	SFS302405	SFS302412	SFS302415	
INPUT	VOLTAGE[V]	DC18 - 36								
	CURRENT[A]	*1 0.60typ	0.74typ	0.76typ	1.04typ	1.36typ	1.36typ	1.36typ	1.39typ	
	EFFICIENCY[%]	*1 86.5typ	87.5typ	89typ	90typ	91typ	92typ	92typ	90typ	
	START-UP VOLTAGE[V]	DC16 - 18								
	HYSTERESIS VOLTAGE[V]	DC1 min								
OUTPUT	VOLTAGE[V]	1.2	1.5	1.8	2.5	3.3	5	12	15	
	CURRENT[A]	10.4	10.4	9	9	9	6	2.5	2	
	VOLTAGE ACCURACY[%]	+5, -3								
	RIPPLE[mVp-p]	25max						120max		
	RIPPLE NOISE[mVp-p]	50max						150max		
	START-UP TIME[ms]	20 - 200max (DCIN 24V, Io=100%)								
PROTECTION CIRCUIT AND OTHERS	OUTPUT VOLTAGE SETTING *1	±1% of rated output voltage								
	OVERCURRENT PROTECTION	Works over 103% of rating								
	OVERVOLTAGE PROTECTION	Works at 120 - 140% of rating								
	LOWVOLTAGE PROTECTION	Works at 90% max of rating								
	REMOTE ON/OFF	Provided(RC open : ON, short between RC and +Vin : OFF)								

MODEL	SFS30481R2	SFS30481R5	SFS30481R8	SFS304802	SFS30482R5	SFS30483R3	SFS304805	SFS304810	SFS304812	SFS304815
MAX OUTPUT WATTAGE[W]	12.48	15.6	16.2	18.0	22.5	29.7	30.0	30.0	30.0	30.0
DC OUTPUT	1.2V 10.4A	1.5V 10.4A	1.8V 9A	2V 9A	2.5V 9A	3.3V 9A	5V 6A	10V 3A	12V 2.5A	15V 2A

SFS/SFCS SPECIFICATIONS

	MODEL	SFS30481R2	SFS30481R5	SFS30481R8	SFS304802	SFS30482R5	SFS30483R3	SFS304805	SFS304810	SFS304812	SFS304815	
INPUT	VOLTAGE[V]	DC36 - 76										
	CURRENT[A]	*1 0.30typ	0.37typ	0.38typ	0.42typ	0.52typ	0.67typ	0.68typ	0.69typ	0.68typ	0.68typ	
	EFFICIENCY[%]	*1 86typ	87.5typ	89typ	89typ	91typ	92typ	92.5typ	91typ	92typ	92typ	
	START-UP VOLTAGE[V]	DC32 - 36										
	HYSTERESIS VOLTAGE[V]	DC2 min										
OUTPUT	VOLTAGE[V]	1.2	1.5	1.8	2	2.5	3.3	5	10	12	15	
	CURRENT[A]	10.4	10.4	9	9	9	9	6	3	2.5	2	
	VOLTAGE ACCURACY[%]	+5, -3										
	RIPPLE[mVp-p]	25max						120max				
	RIPPLE NOISE[mVp-p]	50max						150max				
	START-UP TIME[ms]	20 - 200max (DCIN 48V, Io=100%)										
PROTECTION CIRCUIT AND OTHERS	OUTPUT VOLTAGE SETTING *1	±1% of rated output voltage										
	OVERCURRENT PROTECTION	Works over 103% of rating										
	OVERVOLTAGE PROTECTION	Works at 120 - 140% of rating										
	LOWVOLTAGE PROTECTION	Works at 90% max of rating										
	REMOTE ON/OFF	Provided(RC open : ON, short between RC and +Vin : OFF)										

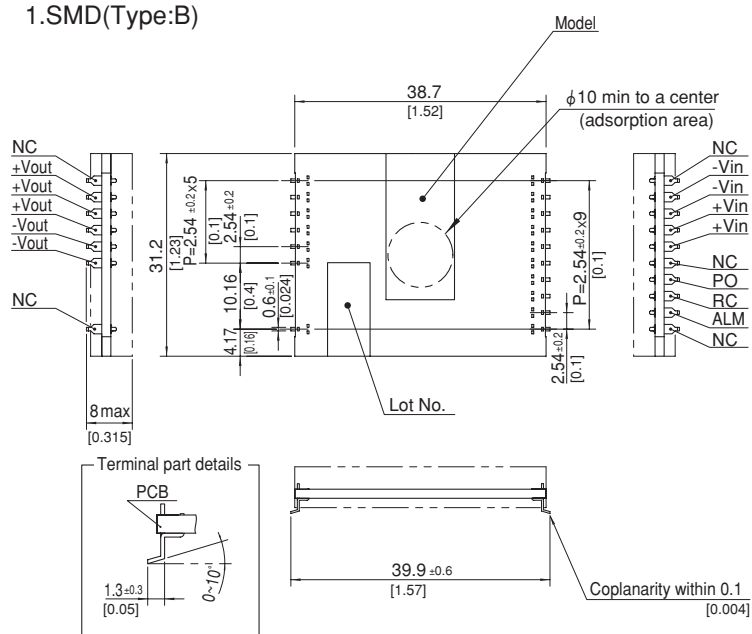
GENERAL SPECIFICATIONS

ISOLATION	INPUT-OUTPUT	DC1,500V 1minute, DC500V 50MΩ min (20±15℃)
ENVIRONMENT	OPERATING TEMP.,HUMID.AND ALTITUDE	-40 to +85℃, 20 - 95%RH (Non condensing), 3,000m (10,000feet) max
	STORAGE TEMP.,HUMID.AND ALTITUDE	-40 to +100℃, 20 - 95%RH (Non condensing), 9,000m (30,000feet) max (SMD:Refer to the Instruction Manual)
	VIBRATION	10 - 55Hz, 49.0m/s ² (5G), 3minutes period, 60minutes each along X, Y and Z axis
SAFETY	IMPACT	196.1m/s ² (20G), 11ms, once each X, Y and Z axis
	AGENCY APPROVALS	UL60950-1, C-UL (CSA60950-1), EN60950-1
OTHERS	CASE SIZE/WEIGHT	38.7×8.0×31.2mm [1.52×0.315×1.23 inches] (W×H×D) /20g max
	COOLING METHOD	Convection/Forced air

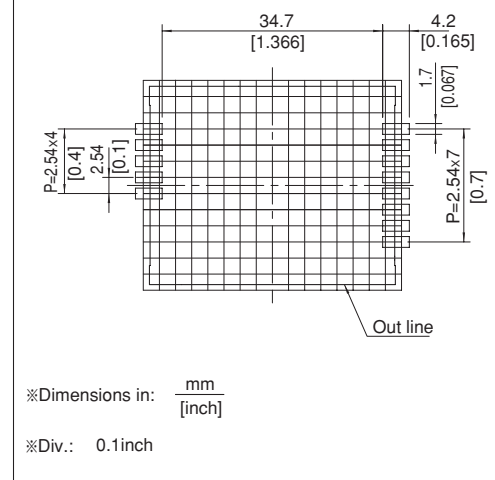
*1 At rated input(DC24V, DC48V), rated load and 25℃

External view

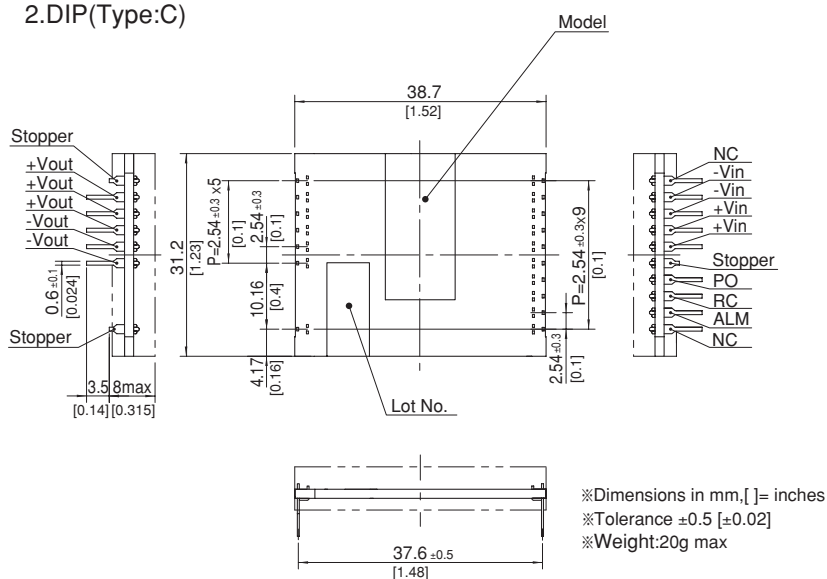
1.SMD(Type:B)



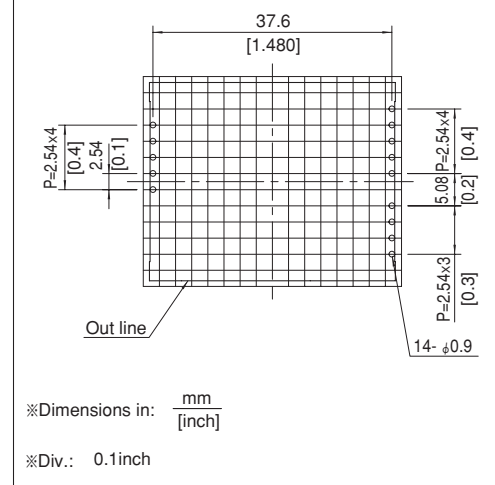
Recommended size for processing PCB (TOP VIEW)



2.DIP(Type:C)



Recommended size for processing PCB (TOP VIEW)



SFS/SFCS

X-ON Electronics

Largest Supplier of Electrical and Electronic Components

Click to view similar products for [Isolated DC/DC Converters](#) category:

Click to view products by [Cosel](#) manufacturer:

Other Similar products are found below :

[ESM6D044440C05AAQ](#) [FMD15.24G](#) [PSL486-7LR](#) [Q48T30020-NBB0](#) [JAHW100Y1](#) [SPB05C-12](#) [SQ24S15033-PS0S](#) [18952](#) [19-130041](#)
[CE-1003](#) [CE-1004](#) [GQ2541-7R](#) [RDS180245](#) [MAU228](#) [J80-0041NL](#) [DFC15U48D15](#) [XGS-0512](#) [XGS-1205](#) [XGS-1212](#) [XGS-2412](#) [XGS-2415](#) [XKS-1215](#) [06322](#) [NCT1000N040R050B](#) [SPB05B-15](#) [SPB05C-15](#) [L-DA20](#) [DCG40-5G](#) [QME48T40033-PGB0](#) [XKS-2415](#) [XKS-2412](#)
[XKS-1212](#) [XKS-1205](#) [XKS-0515](#) [XKS-0505](#) [XGS-2405](#) [XGS-1215](#) [XGS-0515](#) [PS9Z-6RM4](#) [73-551-5038I](#) [AK1601-9RT](#) [VI-N61-CM](#) [VI-R5022-EXWW](#) [PSC128-7iR](#) [RPS8-350ATX-XE](#) [DAS1004812](#) [PQA30-D24-S24-DH](#) [VI-M5F-CQ](#) [VI-LN2-EW](#) [VI-PJW01-CZY](#)