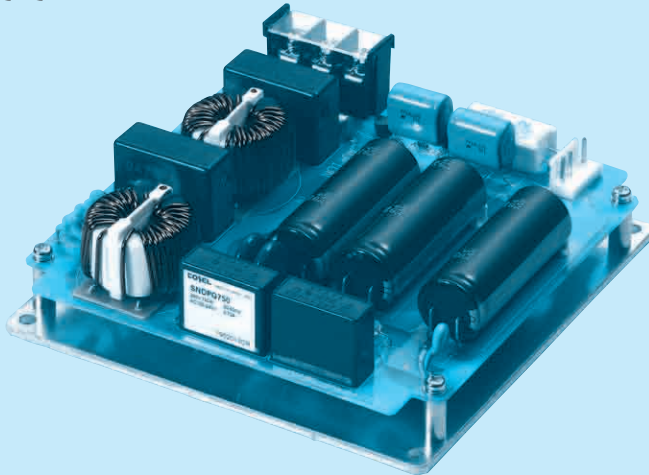


SNDPG750

SNDPG 750 -

① ② ③



- ① Series name
- ② Output power
750 : 750W (ACIN 200V)
- ③ Optional
C :with Coating
R :with Remote ON/OFF
(Enable signal)

Please refer to Instruction manual 7.

* Please note that the unit's internal components is damaged if the output is short-circuit.

MODEL	SNDPG750	
AC INPUT[V]	AC85 - 264	AC170 - 264
MAX OUTPUT WATTAGE[W]	*1 500	750
DC OUTPUT VOLTAGE[V]	*2 360	

SPECIFICATIONS

	MODEL	SNDPG750		
INPUT	VOLTAGE[V]	AC85 - 264 1 φ	AC170 - 264 1 φ	
	POWER FACTOR CORRECTION RANGE[V]	AC85 - 264 1 φ		
	CURRENT[A]	5.72typ (ACIN 100V)	4.24typ (ACIN 200V)	
	FREQUENCY[Hz]	50/60 (47 - 63)		
	INRUSH CURRENT[A]	AC100V	20/20 typ (Io=100%) (Primary inrush current / Secondary inrush current) (More than 10 sec. to re-start)	
		*3 AC200V	40/20 typ (Io=100%) (Primary inrush current / Secondary inrush current) (More than 10 sec. to re-start)	
	EFFICIENCY[%]	93typ (ACIN 100V)	96typ (ACIN 200V)	
	POWER FACTOR	0.96typ (ACIN 100V)	0.93typ (ACIN 200V)	
LEAKAGE CURRENT[mA]	0.75 max (60Hz, According to IEC60950 and DEN-AN)			
OUTPUT	WATTAGE[W]	500	750	
	VOLTAGE[V]	*2 360		
	VOLTAGE ACCURACY	*4 ±2%		
PROTECTION CIRCUIT AND OTHERS	OVERVOLTAGE PROTECTION[V]	DC400 - 450V The power factor corrector function stops		
	ENA	*5	Enable signal, Open-correcter output	
	OTHERS	*6	Parallel operation impossible , Thermal protection	
ISOLATION	INPUT-OUTPUT, RC	*9	Non isolated	
	INPUT, OUTPUT, RC-FG	*9	AC2,800V 1minute Cutoff current = 10mA, DC500V, 50MΩ min (20±15°C)	
	OUTPUT-RC	*9	AC100V 1minute Cutoff current = 25mA, DC100V, 10MΩ min (20±15°C)	
ENVIRONMENT	OPERATING TEMP.,HUMID.AND ALTITUDE	*8	-20 to +95°C (Aluminum base plate of the power module), 20 - 95%RH (Non condensing) (Refer to DERATING CURVE) 3,000m (10,000feet) max	
	STORAGE TEMP.,HUMID.AND ALTITUDE		-20 to +95°C, 20 - 95%RH (Non condensing), 9,000m (30,000feet) max	
	VIBRATION		10 - 55Hz, 19.6m/s ² (2G), 3minutes period, 60minutes each along X, Y and Z axis	
	IMPACT		196.1m/s ² (20G), 11ms, once each along X, Y and Z axis	
SAFETY	SAFETY AGENCY APPROVALS	UL60950-1, C-UL, EN60950-1, Complies with DEN-AN		
	CONDUCTED NOISE	Complies with FCC-A, VCCI-A, CISPR22-A, EN55011-A, EN55022-A		
	HARMONIC ATTENUATOR	*7	Complies with IEC61000-3-2	
OTHERS	CASE SIZE/WEIGHT	125 X 44.5 X 127mm [4.92 X 1.75 X 5.0inches] (W X H X D) / 600g max		
	COOLING METHOD	Conduction cooling (e.g. heat radiation from the aluminum base plate to the attached heat sink)		

*1 Refer to the instruction manual 2.

*2 When the input voltage is more than 240V, the output voltage becomes the value proportional to the input voltage.

*3 The value is primary surge. The current of input surge to a built-in noise filter (0.2ms or less) is excluded.

*4 The value included the output setting and the line regulation, the load regulation and the temperature regulation. However, the input voltage is less than 240V.

*5 Refer to the instruction manual 4.4.

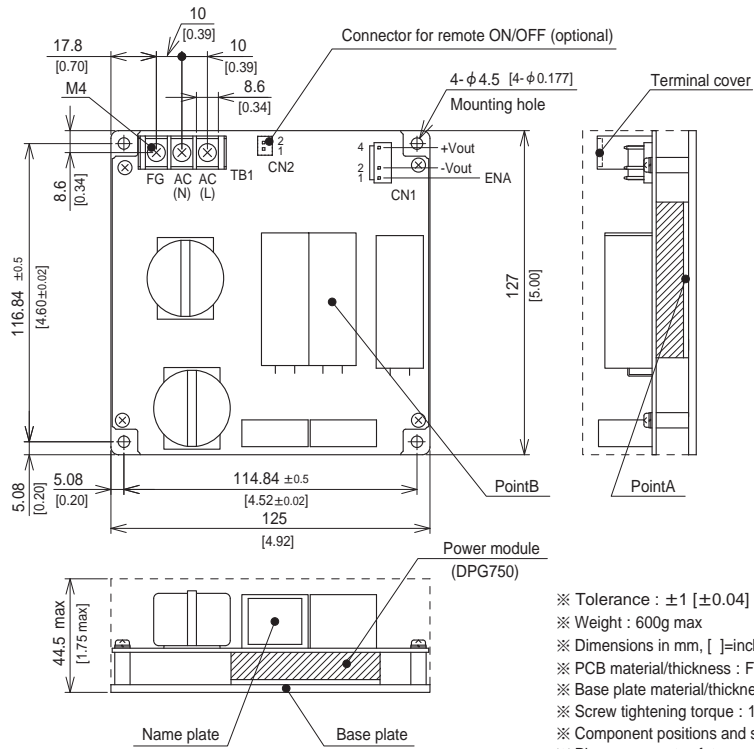
*6 The thermal protection stops the power factor corrector function and the ENA signal.

*7 Please contact us about class C.

*8 Refer to the instruction manual 6.2.

*9 Applicable when remote control (optional) is added.

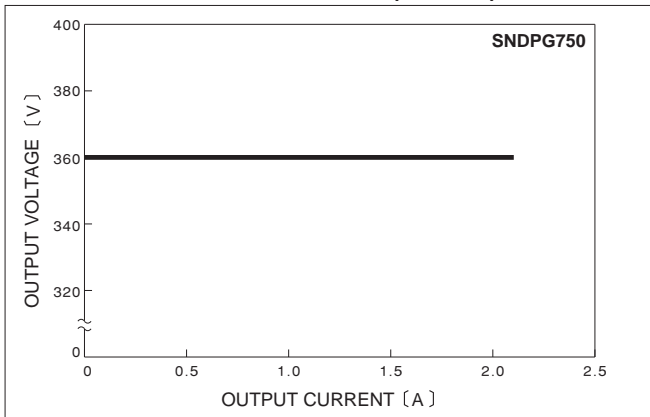
External view



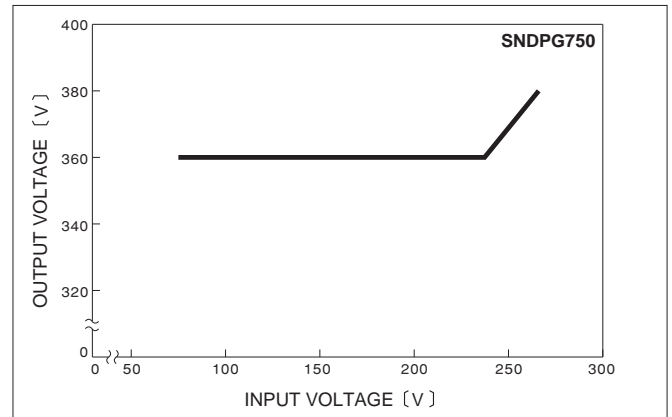
- ※ Tolerance : ± 1 [± 0.04]
- ※ Weight : 600g max
- ※ Dimensions in mm, []=inches
- ※ PCB material/thickness : FR-4 / 1.6mm [0.06]
- ※ Base plate material/thickness : Aluminum / 3.0mm [0.12]
- ※ Screw tightening torque : 1.6N · m (16.9kgf · cm) max
- ※ Component positions and sizes are for your reference if they have no dimensions.
- ※ Please connect safety ground to the base plate in $\phi 4.5$ [$\phi 0.177$] hole.

Performance data

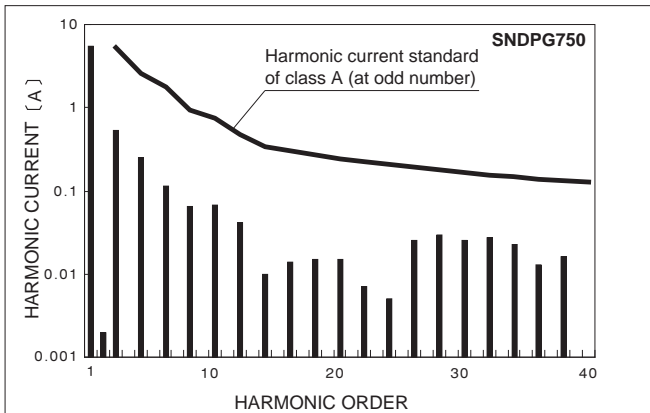
■ STATIC CHARACTERISTICS (AC230V)



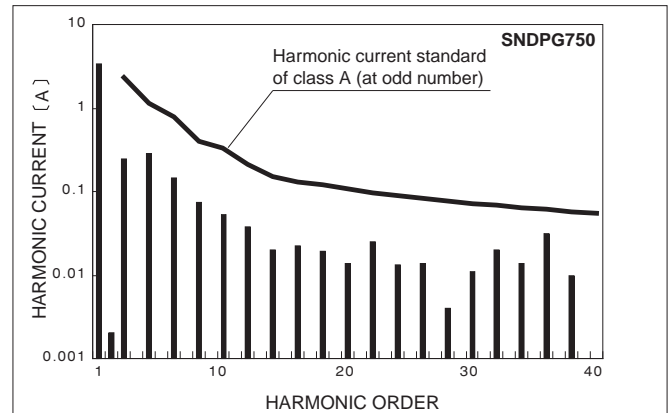
■ OUTPUT VOLTAGE FOR INPUT



■ HARMONIC CURRENT (AC100V)



■ HARMONIC CURRENT (AC230V)



X-ON Electronics

Largest Supplier of Electrical and Electronic Components

Click to view similar products for [Switching Power Supplies](#) category:

Click to view products by [Cosel](#) manufacturer:

Other Similar products are found below :

[70841011](#) [73-551-0005](#) [73-551-0048](#) [PS3E-B12F](#) [PS3E-E12F](#) [AAD600S-4-OP](#) [R22095](#) [KD0204](#) [9021](#) [LDIN100150](#) [LPM000-BBAR-01](#)
[LPX17S-C](#) [EVS57-10R6/R](#) [FP80](#) [FRV7000G](#) [22929](#) [PS3E-F12F](#) [CQM1IA121](#) [40370121900](#) [VI-PU22-EXX](#) [40370121910](#) [LDIN5075](#)
[LPM615-CHAS](#) [LPX140-C](#) [09-160CFG](#) [70841025](#) [VPX3000-CBL-DC](#) [VI-LUL-IU](#) [LPM000-BBAR-05](#) [LPM000-BBAR-08](#) [LPM124-](#)
[OUTA1-48](#) [LPM000-BBAR-07](#) [LPM109-OUTA1-10](#) [LPM616-CHAS](#) [08-30466-1055G](#) [08-30466-2175G](#) [08-30466-2125G](#) [DMB-EWG](#)
[TVQF-1219-18S](#) [6504-226-2101](#) [CQM1IPS01](#) [SP-300-5](#) [CQM1-IPS02](#) [VI-MUL-ES](#) [22829](#) [08-30466-0065G](#) [VI-RU031-EWWX](#) [08-30466-](#)
[0028G](#) [EP3000AC48INZ](#) [VP-C2104853](#)