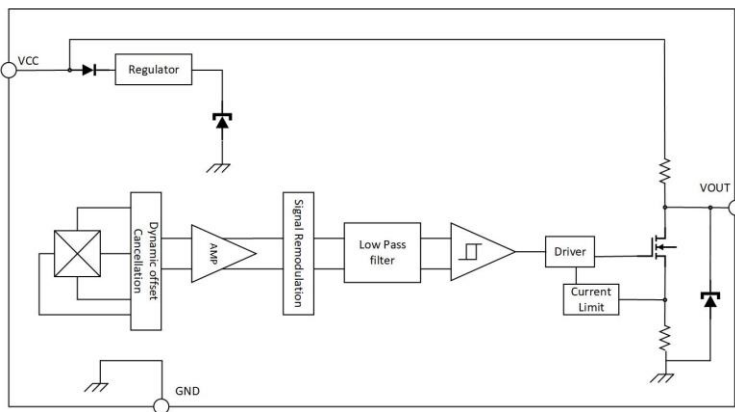


	<b>Cosemitech</b>	<b>CHA44XP/CH44XP</b>
	<b>Automotive Product Group</b>	<small>This is advanced information on a new product now in development or undergoing evaluation. Details are subject to change without notice and Cosemitech assumes no obligation for future manufacture of this product. Contact Cosemitech for the latest status.</small>

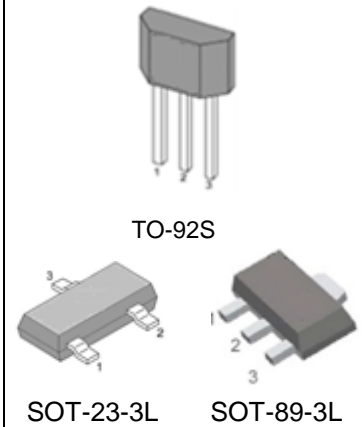
**Preliminary Datasheet 1.1**

**FEATURES and FUNCTIONAL DIAGRAM**

- AEC-Q100 automotive qualified for CHA44XP
- Build in 10K ohm output pull up resistor
- Digital Bipolar-Latch Hall Sensor
- Multiple Sensitivity Options (BOP / BRP):  
+15 / -15 Gauss; +30 / -30 Gauss; +45 / -45 Gauss; +120 / -120 Gauss;
- Chopper stabilization for stable operate points throughout operating temperature range
- On board voltage regulator for 2.5V to 22V range
- Resistant to physical stress
- Output short-circuit protection
- Operation from unregulated supply
- Reverse-battery and freewheeling protection
- Solid-state reliability
- Wide Operating temperature range: -40 to 150 °C
- Small package sizes TO-92S, SOT-23 and SOT-89
- RoHS-compliant material meets directive 2011/65/EU



**PACKAGE**



**APPLICATIONS**

- Speed and RPM sensing
- Tachometer, counter pickup
- Flow-rate sensing
- Brushless dc (direct current) motor commutation
- Motor and fan control
- Robotics control

**DESCRIPTION**

The CHA44XP/CH44XP Hall-effect sensor is extremely temperature-stable and stress-resistant sensor ICs, especially suited for operation over extended temperature ranges from -40°C to 150°C. Superior high temperature performance is possible through dynamic offset cancellation, which reduces the residual offset voltage normally caused by device over-molding, temperature dependencies, and thermal stress.

The device includes a voltage regulator, Hall-voltage generator, small-signal amplifier, chopper stabilization, Schmitt trigger, and a short circuit protected open-drain output to sink up to 25 mA.

An on-board regulator permits operation with supply voltages of 2.5 to 22 V. The advantage of operating down to 2.5V is that the device can be used in 2.5V applications or with additional external resistance in series with the supply pin for greater protection against high-voltage transient events.

The CHA44XP/CH44XP series is latch Hall switch. For the latch mode, there are also invert polarity devices. Normally a south pole of sufficient strength turns on the output; However, for invert polarity devices, a north pole of sufficient strength turns on the output.

The CHA44XP/CH44XP also integrated internal clamps against supply/output transients; output short circuits protection; reverse battery conditions.


Three package styles provide a magnetically optimized package for most applications, SOT-23, TO-92S and SOT-89. Each package type is lead (Pb) free (suffix, -T), with a 100% matte-tin-plated lead-frame.

	<b>Cosemitech</b>	<b>CHA44XP/CH44XP</b>
	<b>Automotive Product Group</b>	<small>. This is advanced information on a new product now in development or undergoing evaluation. Details are subject to change without notice and Cosemitech assumes no obligation for future manufacture of this product. Contact Cosemitech for the latest status.</small>

**Preliminary Datasheet 1.1**

## Table of Contents

1. Product Family Members.....		3
2. Pin Definitions and Descriptions .....		3
3. Absolute Maximum Ratings .....		3
4. ESD Protections .....		5
5. Function Description .....		5
6. Definition of Switching Function .....		5
7. Temperature Characterization .....		5
8. Parameters Specification.....		6
9. Application information .....		7
10. Test Condition .....		7
11. Package Information .....		8

	<b>Cosemitech</b>	<b>CHA44XP/CH44XP</b>
	<b>Automotive Product Group</b>	<small>This is advanced information on a new product now in development or undergoing evaluation. Details are subject to change without notice and Cosemitech assumes no obligation for future manufacture of this product. Contact Cosemitech for the latest status.</small>

**Preliminary Datasheet 1.1**

## 1. Product Family Members

### 1.1 CHA44XP is automotive class product family


Part Number	Marking ID	Description
CHA441PSR	A441P	Bipolar latching, Hall-effect digital sensor IC, SOT-23-3L package, tape and reel packing (3000 units per reel)
CHA441PTB	A441P	Bipolar latching, Hall-effect digital sensor IC, flat, TO-92S package, bulk packing (1000 units per bag)
CHA441PER	A441P	Bipolar latching, Hall-effect digital sensor IC, SOT-89-3L package, tape and reel packing (1000 units per reel)
CHA442PSR	A442P	Bipolar latching, Hall-effect digital sensor IC, SOT-23-3L package, tape and reel packing (3000 units per reel)
CHA442PTB	A442P	Bipolar latching, Hall-effect digital sensor IC, flat, TO-92S package, bulk packing (1000 units per bag)
CHA442PER	A442P	Bipolar latching, Hall-effect digital sensor IC, SOT-89-3L package, tape and reel packing (1000 units per reel)
CHA443PSR	A443P	Bipolar latching, Hall-effect digital sensor IC, SOT-23-3L package, tape and reel packing (3000 units per reel)
CHA443PTB	A443P	Bipolar latching, Hall-effect digital sensor IC, flat, TO-92S package, bulk packing (1000 units per bag)
CHA443PER	A443P	Bipolar latching, Hall-effect digital sensor IC, SOT-89-3L package, tape and reel packing (1000 units per reel)
CHA444PSR	A444P	Bipolar latching, Hall-effect digital sensor IC, SOT-23-3L package, tape and reel packing (3000 units per reel)
CHA444PTB	A444P	Bipolar latching, Hall-effect digital sensor IC, flat, TO-92S package, bulk packing (1000 units per bag)
CHA444PER	A444P	Bipolar latching, Hall-effect digital sensor IC, SOT-89-3L package, tape and reel packing (1000 units per reel)
CHA441PNSR	P441N	Bipolar latching, Hall-effect digital sensor IC, SOT-23-3L package, tape and reel packing (3000 units per reel)
CHA441PNTB	P441N	Bipolar latching, Hall-effect digital sensor IC, flat, TO-92S package, bulk packing (1000 units per bag)
CHA441PNER	P441N	Bipolar latching, Hall-effect digital sensor IC, SOT-89-3L package, tape and reel packing (1000 units per reel)
CHA442PNSR	P442N	Bipolar latching, Hall-effect digital sensor IC, SOT-23-3L package, tape and reel packing (3000 units per reel)
CHA442PNTB	P442N	Bipolar latching, Hall-effect digital sensor IC, flat, TO-92S package, bulk packing (1000 units per bag)
CHA442PNER	P442N	Bipolar latching, Hall-effect digital sensor IC, SOT-89-3L package, tape and reel packing (1000 units per reel)
CHA443PNSR	P443N	Bipolar latching, Hall-effect digital sensor IC, SOT-23-3L package, tape and reel packing (3000 units per reel)
CHA443PNTB	P443N	Bipolar latching, Hall-effect digital sensor IC, flat, TO-92S package, bulk packing (1000 units per bag)
CHA443PNER	P443N	Bipolar latching, Hall-effect digital sensor IC, SOT-89-3L package, tape and reel packing (1000 units per reel)
CHA444PNSR	P444N	Bipolar latching, Hall-effect digital sensor IC, SOT-23-3L package, tape and reel packing (3000 units per reel)
CHA444PNTB	P444N	Bipolar latching, Hall-effect digital sensor IC, flat, TO-92S package, bulk packing (1000 units per bag)
CHA444PNER	P444N	Bipolar latching, Hall-effect digital sensor IC, SOT-89-3L package, tape and reel packing (1000 units per reel)

	<b>Cosemitech</b>	<b>CHA44XP/CH44XP</b>
	<b>Automotive Product Group</b>	<small>. This is advanced information on a new product now in development or undergoing evaluation. Details are subject to change without notice and Cosemitech assumes no obligation for future manufacture of this product. Contact Cosemitech for the latest status.</small>

**Preliminary Datasheet 1.1**

1.2 CH44XP is industry class product family

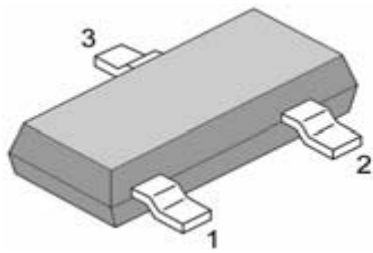
Part Number	Marking ID	Description
CH441PSR	C441P	Bipolar latching, Hall-effect digital sensor IC, SOT-23-3L package, tape and reel packing (3000 units per reel)
CH441PTB	C441P	Bipolar latching, Hall-effect digital sensor IC, flat, TO-92S package, bulk packing (1000 units per bag)
CH441PER	C441P	Bipolar latching, Hall-effect digital sensor IC, SOT-89-3L package, tape and reel packing (1000 units per reel)
CH442PSR	C442P	Bipolar latching, Hall-effect digital sensor IC, SOT-23-3L package, tape and reel packing (3000 units per reel)
CH442PTB	C442P	Bipolar latching, Hall-effect digital sensor IC, flat, TO-92S package, bulk packing (1000 units per bag)
CH442PER	C442P	Bipolar latching, Hall-effect digital sensor IC, SOT-89-3L package, tape and reel packing (1000 units per reel)
CH443PSR	C443P	Bipolar latching, Hall-effect digital sensor IC, SOT-23-3L package, tape and reel packing (3000 units per reel)
CH443PTB	C443P	Bipolar latching, Hall-effect digital sensor IC, flat, TO-92S package, bulk packing (1000 units per bag)
CH443PER	C443P	Bipolar latching, Hall-effect digital sensor IC, SOT-89-3L package, tape and reel packing (1000 units per reel)
CH444PSR	C444P	Bipolar latching, Hall-effect digital sensor IC, SOT-23-3L package, tape and reel packing (3000 units per reel)
CH444PTB	C444P	Bipolar latching, Hall-effect digital sensor IC, flat, TO-92S package, bulk packing (1000 units per bag)
CH444PER	C444P	Bipolar latching, Hall-effect digital sensor IC, SOT-89-3L package, tape and reel packing (1000 units per reel)
CH441PNSR	441PN	Bipolar latching, Hall-effect digital sensor IC, SOT-23-3L package, tape and reel packing (3000 units per reel)
CH441PNTB	441PN	Bipolar latching, Hall-effect digital sensor IC, flat, TO-92S package, bulk packing (1000 units per bag)
CH441PNER	441PN	Bipolar latching, Hall-effect digital sensor IC, SOT-89-3L package, tape and reel packing (1000 units per reel)
CH442PNSR	442PN	Bipolar latching, Hall-effect digital sensor IC, SOT-23-3L package, tape and reel packing (3000 units per reel)
CH442PNTB	442 PN	Bipolar latching, Hall-effect digital sensor IC, flat, TO-92S package, bulk packing (1000 units per bag)
CH442PNER	442 PN	Bipolar latching, Hall-effect digital sensor IC, SOT-89-3L package, tape and reel packing (1000 units per reel)
CH443PNSR	443 PN	Bipolar latching, Hall-effect digital sensor IC, SOT-23-3L package, tape and reel packing (3000 units per reel)
CH443PNTB	443 PN	Bipolar latching, Hall-effect digital sensor IC, flat, TO-92S package, bulk packing (1000 units per bag)
CH443PNER	443 PN	Bipolar latching, Hall-effect digital sensor IC, SOT-89-3L package, tape and reel packing (1000 units per reel)
CH444PNSR	444 PN	Bipolar latching, Hall-effect digital sensor IC, SOT-23-3L package, tape and reel packing (3000 units per reel)
CH444PNTB	444 PN	Bipolar latching, Hall-effect digital sensor IC, flat, TO-92S package, bulk packing (1000 units per bag)
CH444PNER	444 PN	Bipolar latching, Hall-effect digital sensor IC, SOT-89-3L package, tape and reel packing (1000 units per reel)

	<b>Cosemitech</b>	<b>CHA44XP/CH44XP</b>
	<b>Automotive Product Group</b>	<small>This is advanced information on a new product now in development or undergoing evaluation. Details are subject to change without notice and Cosemitech assumes no obligation for future manufacture of this product. Contact Cosemitech for the latest status.</small>

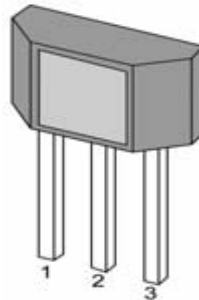
**Preliminary Datasheet 1.1**

## 2. Pin Definitions and Descriptions

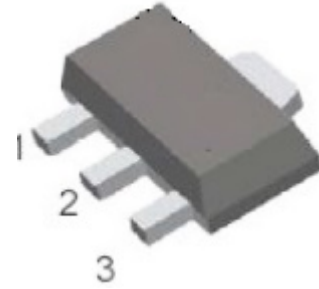
SOT-23-3L (S)	TO-92S (T)	SOT-89-3L (E)	Name	Type	Function
1	1	1	VDD	Supply	Supply Voltage pin
2	3	3	OUT	Output	Output pin with pull up resistor
3	2	2	GND	Ground	Ground pin



**SOT-23-3L**



**TO-92S**



**SOT-89-3L**

## 3. Absolute Maximum Ratings

Parameter	Symbol	Min	Max	Units
Supply Voltage	$V_{DD}$	-	24	V
VDD Reverse Voltage $V_{DD}$	$V_{RDD}$	-22		V
Supply Current	$I_{DD}$	-	20	mA
Output Voltage	$V_{OUT}$	-0.3	24	V
Output Current	$I_{OUT}$	-	25	mA
Operating Ambient Temperature	$T_A$	-40	150	°C
Storage Temperature	$T_S$	-50	150	°C
Junction temperature	$T_J$	-50	165	°C
Magnetic Flux	B	No Limit		Gauss

Note: Exceeding the absolute maximum ratings may cause permanent damage. Exposure to absolute-maximum-rated conditions for extended periods may affect device reliability.

## 4. ESD Protections

Parameter	Value	Unit
All pins <sup>1)</sup>	+/-8000	V
All pins <sup>2)</sup>	+/-200	V
All pins <sup>3)</sup>	+/-750	V

1) HBM (Human Body Mode) according to AEC-Q100-002

2) MM (Machine Mode) according to AEC-Q100-003

3) CDM (charged device mode) according to AEC-Q100-011

### 5. Function Description

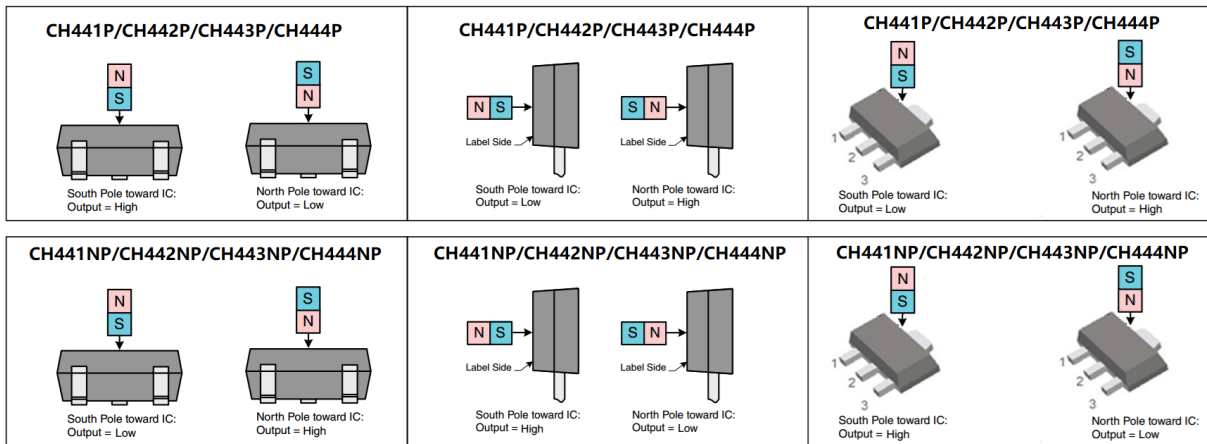
The CHA44XP/CH44XP exhibits latch magnetic switching characteristics. Therefore, it requires both south and north poles to operate properly.

The device behaves as a latch with symmetric operating and release switching points ( $BOP=|BRP|$ ). This means magnetic fields with equivalent strength and opposite direction drive the output high and low.

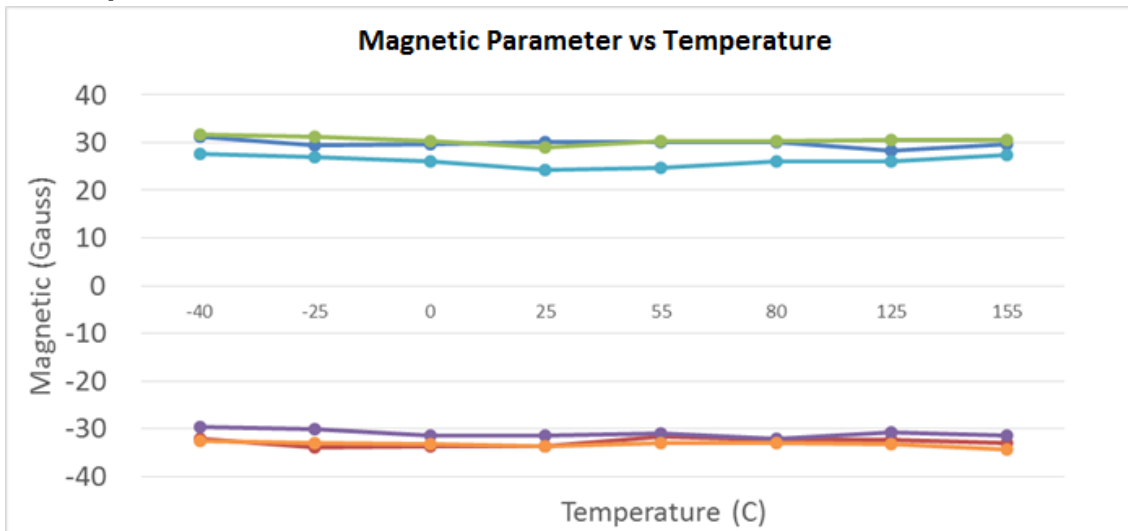
Removing the magnetic field ( $B \rightarrow 0$ ), it keeps the output in its previous state. This latching property defines the device as a magnetic memory.

A magnetic hysteresis BHYST keeps BOP and BRP separated by a minimal value. This hysteresis prevents output oscillation near the switching point.

### 6. Magnetic Activation



### 7. Temperature Characteristics





**Cosemitech**

**CHA44XP/CH44XP**

**Automotive Product Group**

This is advanced information on a new product now in development or undergoing evaluation. Details are subject to change without notice and Cosemitech assumes no obligation for future manufacture of this product. Contact Cosemitech for the latest status.

**Preliminary Datasheet 1.1**

**8. Parameters Specification (VCC=3.3V supply, TA= -40 °C to 150 °C except where otherwise specified.)**

Symbol	Parameter	Test Condition	Min	Typ.	Max	Units
V <sub>DD</sub>	Supply voltage	-40 °C to 150 °C	2.5	-	22	V
I <sub>DD</sub>	Supply Current	V <sub>DD</sub> = 3.3V	-	1.6	3	mA
V <sub>ZSUPPLY</sub>	Supply Zener Clamp Voltage	I <sub>CC</sub> = 7 mA; TA = 25°C	24			V
V <sub>ZOUT</sub>	Output Zener Clamp Voltage	I <sub>OUT</sub> = 3mA	24			V
V <sub>RCC</sub>	Reverse Battery Zener				-22	V
I <sub>RCC</sub>	Reverse Battery Current	V <sub>CC</sub> = -22 V	-5			mA
F <sub>C</sub>	Chopping Frequency			500		KHz
t <sub>PO</sub>	Power-On Time	TA = 25°C; C <sub>LOAD</sub> = 10 pF	-	-	30	µs
V <sub>DSon</sub>	Output saturation voltage	at 20mA, Gauss >BOP	-	-	0.4	V
I <sub>OFF</sub>	Output Leakage Current	V <sub>OUT</sub> = 24 V; Switch state = Off	-	-	10	µA
I <sub>OUT(lim)</sub>	Output Current Limit	Short-Circuit Protection	30	-	90	mA
T <sub>R</sub>	Output rise time	R <sub>LOAD</sub> = 820 Ω, C <sub>LOAD</sub> = 10 pF;	-	0.2	2	µS
T <sub>F</sub>	Output fall time	R <sub>LOAD</sub> = 820Ω, C <sub>LOAD</sub> = 10 pF;	-	0.1	2	µS
T <sub>d</sub>	Output delay Time	B=Brp-100G to Bop+100G in 1us		13	25	µs
R <sub>PU</sub>	Internal pull up resistor			10		Kohm
R <sub>TH</sub>	Thermal resistance: SOT-23-3L TO-92S SOT-89-3L	-	-	303 203 230	-	°C /W °C/W °C/W
F <sub>SW<sup>(2)</sup></sub>	Maximum Switching Frequency		20	30		KHz
T	Operating temperature	-	-40	-	150	°C
T <sub>S</sub>	Storage temperature:	-	-40	-	150	°C
<b>CHA441P/CH441P</b>						
B <sub>OP</sub>	Magnetic operating point	T <sub>A</sub> =-40°C to 150°C	6	15	36	Gauss
B <sub>RP</sub>	Magnetic release point	T <sub>A</sub> =-40°C to 150°C	-36	-15	-6	Gauss
B <sub>HYST</sub>	Magnetic hysteresis window  BOP-BRP	T <sub>A</sub> =-40°C to 150°C	12	30	50	Gauss
B <sub>O</sub>	Magnetic offset; B <sub>O</sub> = (BOP + BRP) / 2	T <sub>A</sub> =-40°C to 150°C	-15	0	15	Gauss
<b>CHA442P/CH442P</b>						
B <sub>OP</sub>	Magnetic operating point	T <sub>A</sub> =-40°C to 150°C	10	30	50	Gauss
B <sub>RP</sub>	Magnetic release point	T <sub>A</sub> =-40°C to 150°C	-50	-30	-10	Gauss
B <sub>HYST</sub>	Magnetic hysteresis window  BOP-BRP	T <sub>A</sub> =-40°C to 150°C	35	60	85	Gauss
B <sub>O</sub>	Magnetic offset; B <sub>O</sub> = (BOP + BRP) / 2	T <sub>A</sub> =-40°C to 150°C	-15	0	15	Gauss
<b>CHA443P/CH443P</b>						

	<b>Cosemitech</b>	<b>CHA44XP/CH44XP</b>
	<b>Automotive Product Group</b>	<small>. This is advanced information on a new product now in development or undergoing evaluation. Details are subject to change without notice and Cosemitech assumes no obligation for future manufacture of this product. Contact Cosemitech for the latest status.</small>

**Preliminary Datasheet 1.1**

<b>B<sub>OP</sub></b>	Magnetic operating point	T <sub>A</sub> =-40°C to 150°C	20	45	75	Gauss
<b>B<sub>RP</sub></b>	Magnetic release point	T <sub>A</sub> =-40°C to 150°C	-75	-45	-20	Gauss
<b>B<sub>HYST</sub></b>	Magnetic hysteresis window  B <sub>OP</sub> -B <sub>RP</sub>	T <sub>A</sub> =-40°C to 150°C	70	90	110	Gauss
<b>B<sub>O</sub></b>	Magnetic offset; B <sub>O</sub> = (B <sub>OP</sub> + B <sub>RP</sub> ) / 2	T <sub>A</sub> =-40°C to 150°C	-20	0	20	Gauss
<b>CHA444P/CH444P</b>						
<b>B<sub>OP</sub></b>	Magnetic operating point	T <sub>A</sub> =-40°C to 150°C	70	120	170	Gauss
<b>B<sub>RP</sub></b>	Magnetic release point	T <sub>A</sub> =-40°C to 150°C	-170	-120	-70	Gauss
<b>B<sub>HYST</sub></b>	Magnetic hysteresis window  B <sub>OP</sub> -B <sub>RP</sub>	T <sub>A</sub> =-40°C to 150°C	180	240	300	Gauss
<b>B<sub>O</sub></b>	Magnetic offset; B <sub>O</sub> = (B <sub>OP</sub> + B <sub>RP</sub> ) / 2	T <sub>A</sub> =-40°C to 150°C	-30	0	30	Gauss
<b>CHA441NP/CH441NP</b>						
<b>B<sub>OP</sub></b>	Magnetic operating point	T <sub>A</sub> =-40°C to 150°C	-36	-15	-6	Gauss
<b>B<sub>RP</sub></b>	Magnetic release point	T <sub>A</sub> =-40°C to 150°C	6	15	36	Gauss
<b>B<sub>HYST</sub></b>	Magnetic hysteresis window  B <sub>OP</sub> -B <sub>RP</sub>	T <sub>A</sub> =-40°C to 150°C	15	30	50	Gauss
<b>B<sub>O</sub></b>	Magnetic offset; B <sub>O</sub> = (B <sub>OP</sub> + B <sub>RP</sub> ) / 2	T <sub>A</sub> =-40°C to 150°C	-15	0	15	Gauss
<b>CHA442NP/CH442NP</b>						
<b>B<sub>OP</sub></b>	Magnetic operating point	T <sub>A</sub> =-40°C to 150°C	-50	-30	-10	Gauss
<b>B<sub>RP</sub></b>	Magnetic release point	T <sub>A</sub> =-40°C to 150°C	10	30	50	Gauss
<b>B<sub>HYST</sub></b>	Magnetic hysteresis window  B <sub>OP</sub> -B <sub>RP</sub>	T <sub>A</sub> =-40°C to 150°C	35	60	85	Gauss
<b>B<sub>O</sub></b>	Magnetic offset; B <sub>O</sub> = (B <sub>OP</sub> + B <sub>RP</sub> ) / 2	T <sub>A</sub> =-40°C to 150°C	-15	0	15	Gauss
<b>CHA443NP/CH443NP</b>						
<b>B<sub>OP</sub></b>	Magnetic operating point	T <sub>A</sub> =-40°C to 150°C	-75	-45	-20	Gauss
<b>B<sub>RP</sub></b>	Magnetic release point	T <sub>A</sub> =-40°C to 150°C	20	45	75	Gauss
<b>B<sub>HYST</sub></b>	Magnetic hysteresis window  B <sub>OP</sub> -B <sub>RP</sub>	T <sub>A</sub> =-40°C to 150°C	70	90	110	Gauss
<b>B<sub>O</sub></b>	Magnetic offset; B <sub>O</sub> = (B <sub>OP</sub> + B <sub>RP</sub> ) / 2	T <sub>A</sub> =-40°C to 150°C	-18	0	18	Gauss
<b>CHA444NP/CH444NP</b>						
<b>B<sub>OP</sub></b>	Magnetic operating point	T <sub>A</sub> =-40°C to 150°C	-180	-120	-70	Gauss
<b>B<sub>RP</sub></b>	Magnetic release point	T <sub>A</sub> =-40°C to 150°C	70	120	180	Gauss
<b>B<sub>HYST</sub></b>	Magnetic hysteresis window  B <sub>OP</sub> -B <sub>RP</sub>	T <sub>A</sub> =-40°C to 150°C	180	240	300	Gauss
<b>B<sub>O</sub></b>	Magnetic offset; B <sub>O</sub> = (B <sub>OP</sub> + B <sub>RP</sub> ) / 2	T <sub>A</sub> =-40°C to 150°C	-20	0	20	Gauss

(1) 1 mT = 10 Gauss

(2) Bandwidth describes the fastest changing magnetic field that can be detected and translated to the output.

**NOTICE**

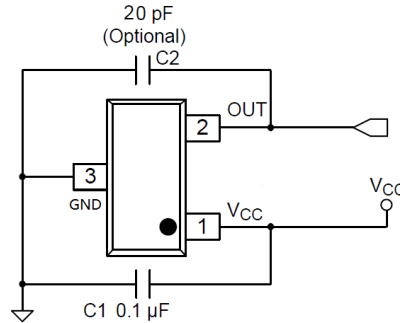
The magnetic field strength (Gauss) required to cause the switch to change state (operate and release) will be as specified in the magnetic characteristics. To test the switch against the specified magnetic characteristics, the switch must be placed in a uniform magnetic field.



**9. Application Information**

**9.1 Typical Application**

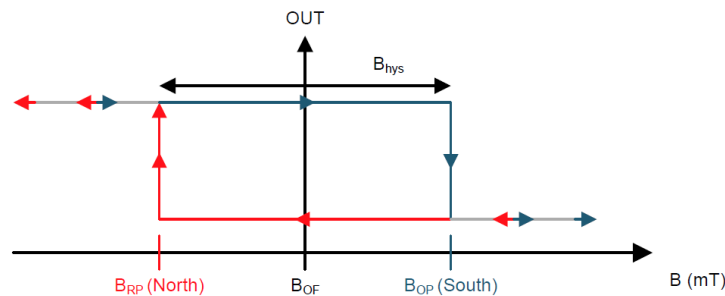
It is recommended that an external capacitor C1 is connected to the supply. This can reduce the noise injected into the device. Normal 0.1uF is suggested.



Typical Application Circuit

**9.2 Device Output**

If the device is powered on with a magnetic field strength between BRP and BOP, then the device output is indeterminate and can either be Hi-Z or Low. If the field strength is greater than BOP, then the output is pulled low. If the field strength is less than BRP, then the output is released.



**9.3 Output Stage**

The CH44XP output stage uses an open-drain NMOS with a 10K ohm internal pull up resistor. Select a value for C2 based on the system bandwidth specifications as shown in Equation 2.

$$2 \times f_{BW} \text{ (Hz)} < \frac{1}{2\pi \times R_{PU} \times C2} \quad (2)$$

Most applications do not require this C2 filtering capacitor.

**9.4 Protection Circuits**

The CH44XP device is fully protected against overcurrent and reverse-supply conditions.

**9.5 Overcurrent Protection (OCP)**

An analog current-limit circuit limits the current through the FET. The driver current is clamped to IOCP. During this clamping, the rDS(on) of the output FET is increased from the nominal value.

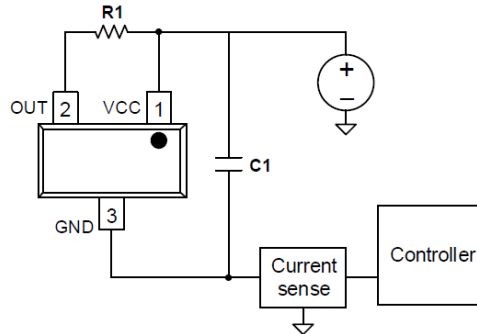
**9.6 Reverse Supply Protection**

The CH44XP device is protected in the event that the VCC pin and the GND pin are reversed (up to -22 V). There is 10K ohm resistor will conduct some small current at this case, but it will not damage the device.



### 9.7 Alternative Two-Wire Application

For systems that require minimal wire count, the device output can be connected to VCC through a resistor, and the total supplied current can be sensed near the controller.



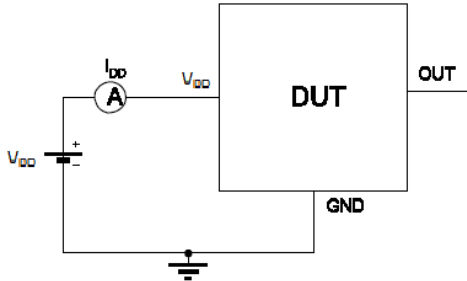
#### 2-Wire Application

Current can be sensed using a shunt resistor or other circuitry.

### 10. Test Conditions

Note: DUT=Device Under Test

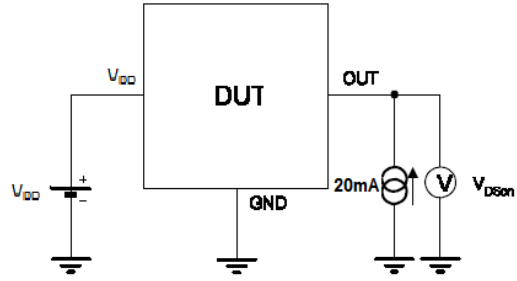
#### Supply Current



Note 1 - The supply current  $I_{DD}$  represents the static supply current. OUT is left open during measurement

Note 2 - The device is put under magnetic field with  $B < B_{RP}$

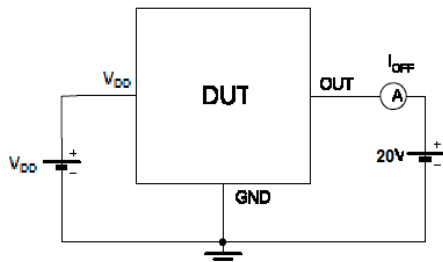
#### Output Saturation Voltage



Note 1 - The output saturation voltage  $V_{DSon}$  is measured at  $V_{DD}=3.3V$  and  $V_{DD}=20V$

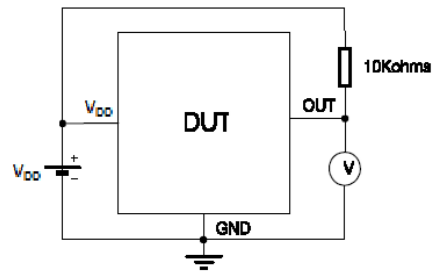
Note 2 - The device is put under magnetic field with  $B > B_{OP}$

#### Output Leakage Current



Note 1 - The device is put under magnetic field with  $B < B_{RP}$

#### Magenetic Thresholds



Note 1 -  $B_{OP}$  is determined by putting the device under magnetic field swept from  $B_{RPmin}$  up to  $B_{OPmax}$  until the output is switched on.

Note 2 -  $B_{RP}$  is determined by putting the device under magnetic field swept from  $B_{OPmax}$  down to  $B_{RPmin}$  until the output is switched off.



**Cosemitech**

**CHA44XP/CH44XP**

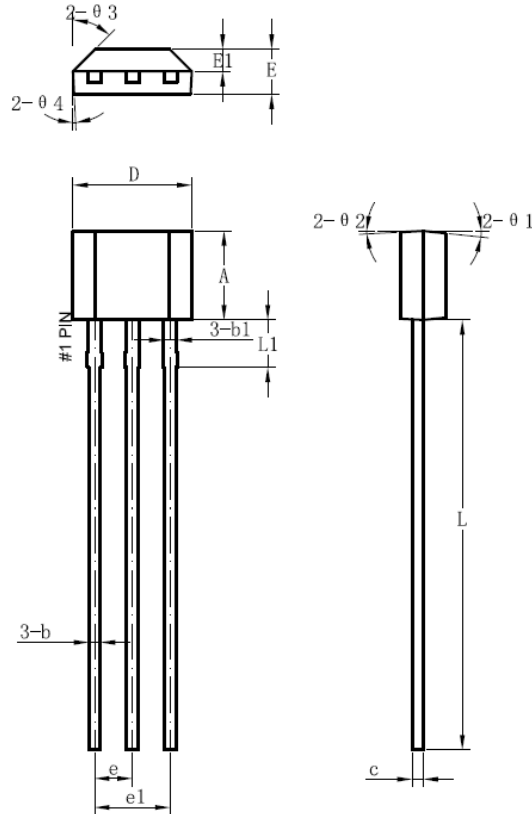
**Automotive Product Group**

. This is advanced information on a new product now in development or undergoing evaluation. Details are subject to change without notice and Cosemitech assumes no obligation for future manufacture of this product. Contact Cosemitech for the latest status.

**Preliminary Datasheet 1.1**

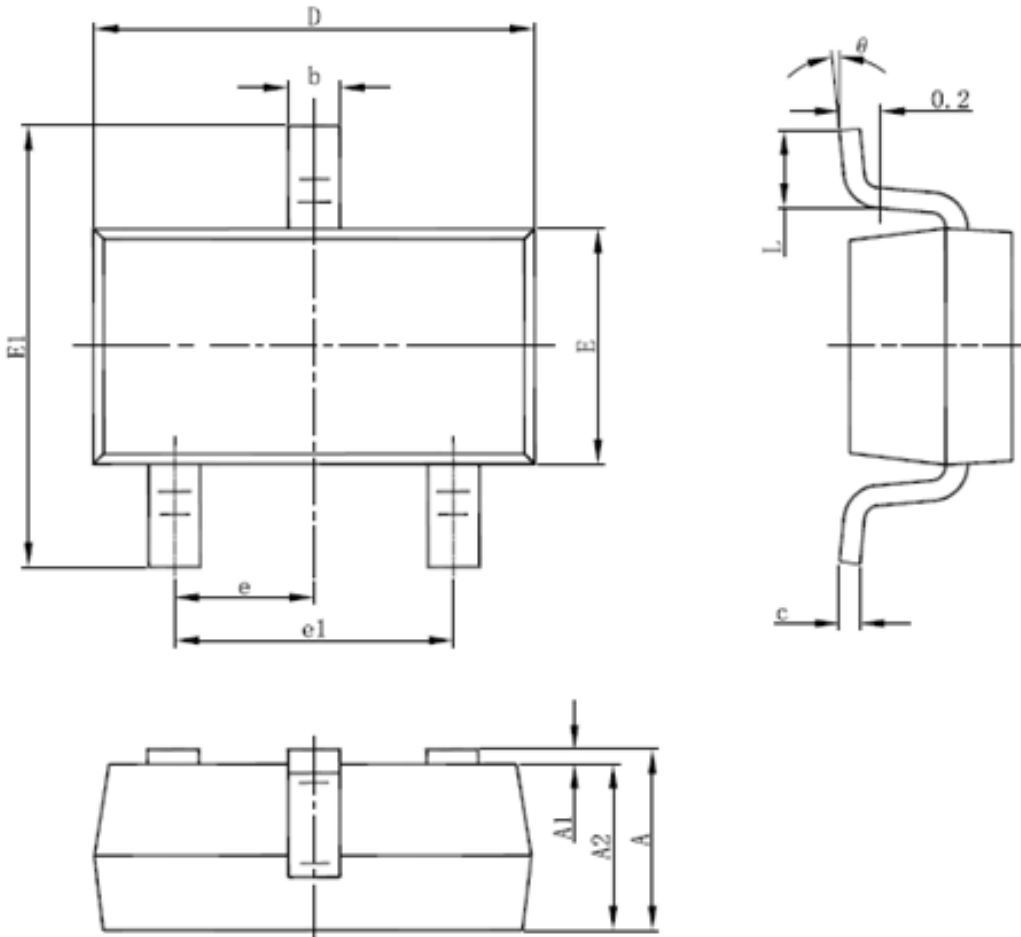
**11. Package Information:**

**Package Designator  
TO-92S**



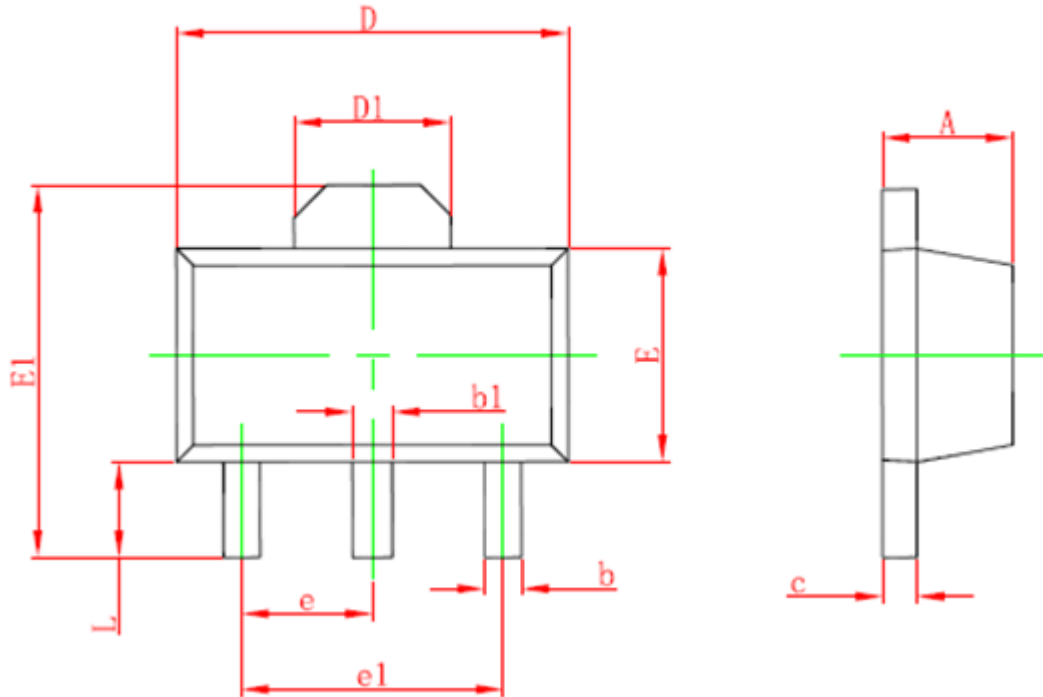
Symbol	Dimensions in Millimeters		
	Min.	Typ.	Max.
A	2.9	3	3.1
b	0.35	0.39	0.56
b1		0.44	
c	0.36	0.38	0.51
D	3.9	4	4.1
E	1.42	1.52	1.62
E1		0.75	
e		1.27	
e1		2.54	
L	13.5	14.5	15.5
L1		1.6	
$\theta 1$		6°	
$\theta 2$		3°	
$\theta 3$		45°	

**PACKAGE DESIGNATOR**  
SOT-23-3L




Symbol	Dimensions In Millimeters		Dimensions In Inches	
	Min	Max	Min	Max
A	1.050	1.250	0.041	0.049
A1	0.000	0.100	0.000	0.004
A2	1.050	1.150	0.041	0.045
b	0.300	0.500	0.012	0.020
c	0.100	0.200	0.004	0.008
D	2.820	3.020	0.111	0.119
E	1.500	1.700	0.059	0.067
E1	2.650	2.950	0.104	0.116
e	0.950(BSC)		0.037(BSC)	
e1	1.800	2.000	0.071	0.079
L	0.300	0.600	0.012	0.024
$\theta$	0°	8°	0°	8°

**PACKAGE DESIGNATOR  
SOT-89-3L**



Symbol	Dimensions In Millimeters		Dimensions In Inches	
	Min.	Max.	Min.	Max.
A	1.400	1.600	0.055	0.063
b	0.320	0.520	0.013	0.020
b1	0.400	0.580	0.016	0.023
c	0.350	0.440	0.014	0.017
D	4.400	4.600	0.173	0.181
D1	1.550 REF.		0.061 REF.	
E	2.300	2.600	0.091	0.102
E1	3.940	4.250	0.155	0.167
e	1.500 TYP.		0.060 TYP.	
e1	3.000 TYP.		0.118 TYP.	
L	0.900	1.200	0.035	0.047

	<b>Cosemitech</b>	<b>CHA44XP/CH44XP</b>
	<b>Automotive Product Group</b>	<small>This is advanced information on a new product now in development or undergoing evaluation. Details are subject to change without notice and Cosemitech assumes no obligation for future manufacture of this product. Contact Cosemitech for the latest status.</small>

**Preliminary Datasheet 1.1**

Information furnished is believed to be accurate and reliable. However, Cosemitech assumes no responsibility for the consequences of use of such information nor for any infringement of patents or other rights of third parties which may result from its use. No license is granted by implication or otherwise under any patent or patent rights of Cosemitech. Specification mentioned in this publication are subject to change without notice. This publication supersedes and replaces all information previously supplied. Cosemitech products are not authorized for use as critical components in life support devices or systems without express written approval of Cosemitech.

The Cosemitech logo is a registered trademark of Cosemitech

## X-ON Electronics

Largest Supplier of Electrical and Electronic Components

*Click to view similar products for [Board Mount Hall Effect/Magnetic Sensors](#) category:*

*Click to view products by [Cosemitech](#) manufacturer:*

Other Similar products are found below :

[HGPRDT005A](#) [AH277AZ4-AG1](#) [AV-10448](#) [HMC1041Z-TR](#) [SS41C](#) [TLE4917](#) [TLE4946-1L](#) [50017859-003](#) [TY-13101](#) [TLE4976L](#)  
[SS85CA](#) [BU52002GUL-E2](#) [BU52003GUL-E2](#) [AH277AZ4-BG1](#) [TLE49614MXTSA1](#) [AH3376-P-B](#) [TLE4941](#) [AH211Z4-AG1](#) [AH3360-](#)  
[FT4-7](#) [TLE4941-1](#) [AH374-P-A](#) [SS460P-T2](#) [AH1913-W-7](#) [AH3373-P-B](#) [TLE9852QXXUMA1](#) [MA732GQ-Z](#) [MA330GQ-Z](#) [S-57K1NBL2A-](#)  
[M3T2U](#) [S-57P1NBL9S-M3T4U](#) [S-576ZNL2B-L3T2U](#) [S-576ZNL2B-A6T8U](#) [S-57P1NBL0S-M3T4U](#) [S-57A1NSL1A-M3T2U](#) [S-](#)  
[57K1RBL1A-M3T2U](#) [S-57P1NBH9S-M3T4U](#) [S-57P1NBH0S-M3T4U](#) [S-57A1NSH1A-M3T2U](#) [S-57A1NSH2A-M3T2U](#) [S-57K1NBH1A-](#)  
[M3T2U](#) [S-57A1NNL1A-M3T2U](#) [S-5701BC10B-L3T2U5](#) [S-5701BC11B-L3T2U5](#) [S-57GNNL3S-A6T8U](#) [S-57TZ1L1S-A6T8U](#) [S-](#)  
[57GSNL3S-A6T8U](#) [S-5716ANDH0-I4T1U](#) [S-57GSNL5S-L3T2U](#) [S-57GDNL3S-L3T2U](#) [S-57GNNL3S-L3T2U](#) [S-57RBNL8S-L3T2U](#)