

# CH701

## 3000V<sub>RMS</sub> Isolation, Hall Current Sensor IC in SOIC-8 Package

### Features

- Reinforced isolation: **3000 V<sub>RMS</sub>**
- Total output error: **±1.5% typical**
- Primary conductor resistance: **0.8 mΩ**
- Single supply: **3.3V or 5V**
- Output voltage proportional to AC or DC current: **±5A, ±10A, ±20A, ±30A, ±40A, ±50A**
- -3dB bandwidth: **120 kHz**
- Response time: **4 μs**
- Ratio-metric output from supply voltage
- Adjustable bandwidth and resolution with a filter pin
- Small-footprint SOIC-8 package suitable for replacing bulky transformers or shunt current sensing solutions
- Integrated shield virtually eliminates capacitive coupling from current conductor to die, greatly suppressing output noise due to high dv/dt transients
- Factory-trimmed sensitivity and quiescent output voltage for improved accuracy
- Chopper stabilization results in extremely stable quiescent output voltage

### Package

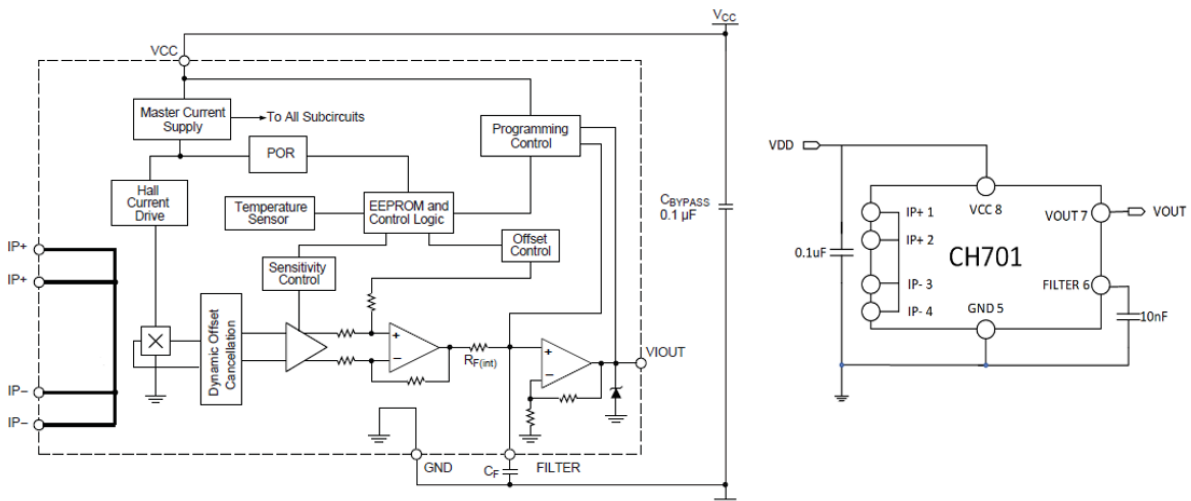


SO-8

### Application

- Variable-frequency inverters
- Motor control
- Over-current fault protection
- Load detection and management

### Functional Block Diagram



### Description

The CH701 current sensor IC is an economical and precise solution for AC or DC current sensing in industrial, automotive, commercial, and communications systems. The small package is ideal for space-constrained applications while also saving costs due to reduced board area. Typical applications include motor control, load detection and management, switched-mode power supplies, and overcurrent fault protection.

The device consists of a precise, low-offset, linear Hall sensor circuit with a copper conduction path located near the surface of the die. Applied current flowing through this copper conduction path generates a magnetic field which is sensed by the integrated Hall IC and converted into a proportional voltage. A precise, proportional voltage is provided by the low-offset, chopper-stabilized BCD Hall IC,

which is programmed for accuracy after packaging. The output of the device has a positive slope when an increasing current flows through the primary copper conduction path (from pins 1 and 2, to pins 3 and 4), which is the path used for current sensing. The internal resistance of this conductive path is 0.8 mΩ typical, providing low power loss.

The terminals of the conductive path are electrically isolated from the sensor leads (pins 5 through 8). This allows the CH701 current sensor IC to be used in high-side current sense applications without the use of high-side differential amplifiers or other costly isolation techniques.

The CH701 is provided in a small, low-profile surface-mount SOIC8 package. The leadframe is plated with 100% matte tin, which is compatible with standard lead (Pb) free printed circuit board assembly processes. Internally, the device is Pb-free, except for flip-chip high-temperature Pb-based solder balls, currently exempt from RoHS. The device is fully calibrated prior to shipment from the factory.

## Similar Products

All products can be operated with 3.3V or 5V supply, and can measure AC and DC.

Product Family	Package	R <sub>IP</sub>	Bandwidth	Current Range	AEC-Q100 <sup>(1)</sup>	V <sub>ISO</sub>	Status
CH703	SOIC-8	1.2mΩ	120kHz	±5A, ±10A, ±20A, ±30A, ±40A, ±50A	NO	2100V <sub>RMS</sub>	Released (contact factory)
CH701	SOIC-8	1.2mΩ	120kHz	±5A, ±10A, ±20A, ±30A, ±40A, ±50A	NO	3000V <sub>RMS</sub>	Released
CH701W	SO-16W	0.8mΩ	120kHz	±20A, ±30A, ±40A, ±50A, ±60A, ±70A	NO	4800V <sub>RMS</sub>	Released
CH706	SOIC-8	1.2mΩ	450kHz	±5A, ±10A, ±20A, ±30A, ±40A, ±50A	YES	3000V <sub>RMS</sub>	Preliminary
CH706W	SO-16W	0.8mΩ	450kHz	±5A, ±10A, ±20A, ±30A, ±40A, ±50A, ±60A, ±70A	YES	4800V <sub>RMS</sub>	Preliminary
CH707W	SO-16W	0.8mΩ	450kHz	±5A, ±10A, ±20A, ±30A, ±40A, ±50A, ±60A, ±70A	YES	4800V <sub>RMS</sub>	Preliminary
*CH704	CFF-5	0.1mΩ	180kHz	±50A, ±100A, ±150A, ±200A	YES	4800V <sub>RMS</sub>	Released

\*CH704 supply voltage 4.5-5.5V.

(1) AEC-Q100 available.

## Revision History

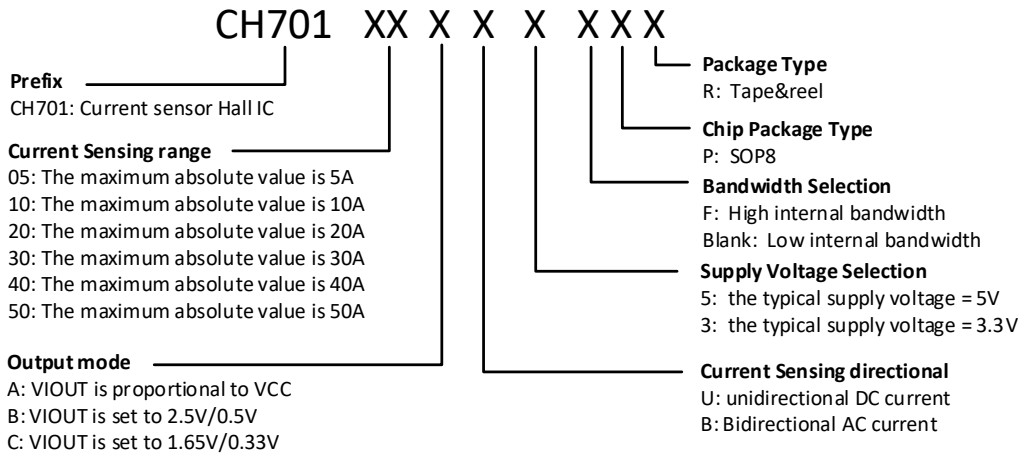
Date	Revision	Change
Nov 2019	1	First draft
May 2021	1.1	Updated format
July 2021	1.2	Added "Similar Products" section
July 2021	1.3	Corrected AU serials zero voltage. Corrected ELin formula.
Aug 2021	1.4	Updated "Similar Products" section
Nov 2021	1.5	Updated product naming convention, add "F" for high-bandwidth version.
Dec 2021	1.6	Updated top-side-marking factory tracking code from 6 characters to 5 characters
Feb 2022	1.7	Updated CH70105**** order information
March 2022	1.8	Removed CH70105AU5*/AU3*/BU5*/BB5*/CU3*/CB3*, CH7010AB3*/CU3*

## Table of Contents

<b>1</b>	<b>PRODUCT FAMILY MEMBERS .....</b>	<b>5</b>
<b>2</b>	<b>PIN DEFINITIONS AND DESCRIPTIONS .....</b>	<b>6</b>
<b>3</b>	<b>ABSOLUTE MAXIMUM RATINGS .....</b>	<b>6</b>
<b>4</b>	<b>ESD PROTECTIONS .....</b>	<b>7</b>
<b>5</b>	<b>ELECTRICAL CHARACTERISTICS:.....</b>	<b>8</b>
<b>6</b>	<b>APPLICATION INFORMATION.....</b>	<b>58</b>
<b>7</b>	<b>PACKAGE INFORMATION .....</b>	<b>61</b>

# 1 Product Family Members

CH701 is available in a variety of versions. They are distinguished by a specific nomenclature code:



Notes for table 2:

- **CH70105\*\*\*\*** available with “low internal bandwidth” version only, and provide by request only; suggest to use CH70110\*\*\*\* as alternatives, or contact factory for newer-gen **CH706**.
- **CH701\*\*\*U\*** available with degraded temperature drift performance; provide by request only.

Table 1

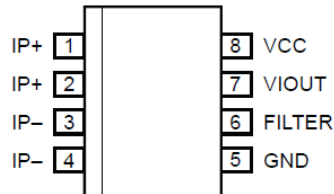
Part Number	VCC (V)	I <sub>PR</sub> (A)	Sens (mV/A)	T <sub>j</sub> (°C)	Packing
CH70110AB5*	5±0.5	±10	200	-40 to 150	Tape and Reel, 3000 pieces per reel
CH70110BB5*	5±0.5	±10	200		
CH70110CB3*	3.3±0.3	±10	132		
CH70120AB5*	5±0.5	±20	100		
CH70120AB3*	3.3±0.3	±20	66		
CH70120BB5*	5±0.5	±20	100		
CH70120CB3*	3.3±0.3	±20	66		
CH70130AB5*	5±0.5	±30	66		
CH70130AB3*	3.3±0.3	±30	44		
CH70130BB5*	5±0.5	±30	66		
CH70130CB3*	3.3±0.3	±30	44		
CH70140AB5*	5±0.5	±40	50		
CH70140AB3*	3.3±0.3	±40	33		
CH70140BB5*	5±0.5	±40	50		
CH70140CB3*	3.3±0.3	±40	33		
CH70150AB5*	5±0.5	±50	40		
CH70150AB3*	3.3±0.3	±50	26		
CH70150BB5*	5±0.5	±50	40		
CH70150CB3*	3.3±0.3	±50	26		

Table 2

Part Number	VCC (V)	I <sub>PR</sub> (A)	Sens (mV/A)	T <sub>j</sub> (°C)	Packing
CH70105AB5*	5±0.5	±5	400	-40 to 150	Tape and Reel, 3000 pieces per reel
CH70105AB3*	3.3±0.3	±5	264		
CH70110AU5*	5±0.5	10	370		
CH70110AU3*	3.3±0.3	10	264		
CH70110BU5*	5±0.5	10	400		
CH70120AU5*	5±0.5	20	200		
CH70120AU3*	3.3±0.3	20	132		
CH70120BU5*	5±0.5	20	200		
CH70120CU3*	3.3±0.3	20	132		
CH70130AU5*	5±0.5	30	133		
CH70130AU3*	3.3±0.3	30	88		
CH70130BU5*	5±0.5	30	133		
CH70130CU3*	3.3±0.3	30	88		
CH70140AU5*	5±0.5	40	100		
CH70140AU3*	3.3±0.3	40	66		

CH70140BU5*	5±0.5	40	100		
CH70140CU3*	3.3±0.3	40	66		
CH70150AU5*	5±0.5	50	80		
CH70150AU3*	3.3±0.3	50	52		
CH70150BU5*	5±0.5	50	80		
CH70150CU3*	3.3±0.3	50	52		

## 2 Pin Definitions and Descriptions



**Package LC, 8-Pin SOICN  
Pin-Out Diagram**

Number	Name	Function
1,2	IP+	Terminals for current being sensed, fused internally
3,4	IP-	Terminals for current being sensed, fused internally
5	GND	Signal ground terminal
6	FILTER	Terminal for external capacitor that sets bandwidth
7	VIOUT	Analog output signal
8	VCC	Device power supply terminal

## 3 Absolute Maximum Ratings

Parameter	Symbol	Min	Max	Units
Supply Voltage	$V_{CC}$	-	6	V
Reverse Supply Voltage	$V_{RCC}$	-0.1	-	V
Output Voltage	$V_{IOUT}$	-	$V_{CC} + 0.5$	V
Reverse Output Voltage	$V_{RIOUT}$	-0.1	-	V
Operating Ambient Temperature	$T_A$	-40	150	°C
Storage Temperature	$T_S$	-65	165	°C
Junction temperature	$T_{J(max)}$		165	°C

Note 1: Exceeding the absolute maximum ratings may cause permanent damage. Exposure to absolute-maximum-rated conditions for extended periods may affect device reliability.

### Isolation Characteristics

Characteristic	Symbol	Notes	Rating	Unit
Dielectric Strength Test Voltage	$V_{ISO}$	Agency type-tested for 60 seconds per UL 62368-1 (edition 3); production-tested at $V_{ISO}$ for 1 second, in accordance with UL 62368-1 (edition 3). UL62368-1 (edition 3) replaces UL60950-1.	3000	$V_{RMS}$
Working Voltage for Basic Isolation	$V_{WVBI}$	Maximum approved working voltage for basic (single) isolation according to UL 62368-1 (edition 3). UL62368-1 (edition 3) replaces UL60950-1.	725	$V_{pk}$ or VDC
			513	$V_{rms}$

## Thermal Characteristics

Characteristic	Symbol	Test Conditions*	Value	Units
Package Thermal Resistance (Junction to Ambient)	$R_{\theta JA}$		23	°C/W
Package Thermal Resistance (Junction to Lead)	$R_{\theta JL}$		5	°C/W

## 4 ESD Protections

Parameter	Value	Unit
All pins <sup>1)</sup>	±8000	V
All pins <sup>2)</sup>	±400	V
All pins <sup>3)</sup>	±1500	V

1) HBM (human body mode, 100pF, 1.5 kΩ ) according to MIL-STD-883H Method 3015.8

2) MM (Machine Mode C=200pF, R=0Ω) according to JEDEC EIA/JESD22-A115

3) CDM (charged device mode) according to JEDEC EIA/JESD22-C101F

## 5 Electrical Characteristics:

Valid through the full range of  $T_A$ ,  $V_{CC} = 5\text{ V}$ ,  $C_F = 0$ , unless otherwise specified

Characteristic	Symbol	Test Conditions	Min.	Typ.	Max.	Unit
Supply Current	$I_{CC}$	$V_{CC} = 5\text{ V}$ , output open	–	10	14	mA
Output Capacitance Load	$C_L$	VIOU to GND	–	–	10	nF
Output Resistive Load	$R_L$	VIOU to GND	4.7	–	–	k $\Omega$
Primary Conductor Resistance	$R_{IP}$	$T_A = 25^\circ\text{C}$	–	0.8	–	m $\Omega$
Internal Filter Resistance <sup>2</sup>	$R_{F(int)}$		–	1.7	–	k $\Omega$
Rise Time	$t_r$	$I_P = I_P(max)$ , $T_A = 25^\circ\text{C}$ , $C_L = 1\text{ nF}$	–	3	–	$\mu\text{s}$
Propagation Delay	$t_{pd}$	$I_P = I_P(max)$ , $T_A = 25^\circ\text{C}$ , $C_L = 1\text{ nF}$	–	2	–	$\mu\text{s}$
Response Time	$t_{RESPONSE}$	$I_P = I_P(max)$ , $T_A = 25^\circ\text{C}$ , $C_L = 1\text{ nF}$	–	4	–	$\mu\text{s}$
Bandwidth	BW	Small signal –3 dB; $C_L = 1\text{ nF}$	–	120	–	kHz
Noise Density	IND	Input-referenced noise density; $T_A = 25^\circ\text{C}$ , $C_L = 1\text{ nF}$	–	150	–	$\mu\text{A}_{(rms)}/\sqrt{\text{Hz}}$
Noise	IN	Input-referenced noise: $C_F = 4.7\text{ nF}$ , $C_L = 1\text{ nF}$ , BW = 18 kHz, $T_A = 25^\circ\text{C}$	–	25	–	$\text{mA}_{(rms)}$
Nonlinearity	ELIN	Through full range of $I_P$		$\pm 1$		%
Sensitivity Ratiometry Coefficient	SENS_RAT_COEF	$V_{CC} = 4.5\text{ to }5.5\text{ V}$ , $T_A = 25^\circ\text{C}$	–	1.3	–	–
Zero-Current Output Ratiometry Coefficient	QVO_RAT_COEF	$V_{CC} = 4.5\text{ to }5.5\text{ V}$ , $T_A = 25^\circ\text{C}$	–	1	–	–
Saturation Voltage <sup>3</sup>	$V_{OH}$	$R_L = 4.7\text{ k}\Omega$ , $T_A = 25^\circ\text{C}$	$V_{CC} - 0.2$		–	V
	$V_{OL}$	$R_L = 4.7\text{ k}\Omega$ , $T_A = 25^\circ\text{C}$	–		0.2	V
Power-On Time	$t_{PO}$	Output reaches 90% of steady-state level, $T_A = 25^\circ\text{C}$ , $I_P = I_{PR(max)}$ applied	–	62	–	$\mu\text{s}$
Shorted Output-to-Ground Current	$I_{SC(GND)}$	$T_A = 25^\circ\text{C}$	–	3.3	–	mA
Shorted Output-to- $V_{CC}$ Current	$I_{SC(VCC)}$	$T_A = 25^\circ\text{C}$	–	45	–	mA

<sup>1</sup>Device may be operated at higher primary current levels,  $I_P$ , ambient temperatures,  $T_A$ , and internal leadframe temperatures, provided the Maximum Junction Temperature,  $T_J(max)$ , is not exceeded.

<sup>2</sup> $R_{F(int)}$  forms an RC circuit via the FILTER pin.

<sup>3</sup>The sensor IC will continue to respond to current beyond the range of  $I_P$  until the high or low saturation voltage; however, the nonlinearity in this region will be worse than through the rest of the measurement range.



**CH70105AB5\* Performance Characteristics: T<sub>A</sub> Range L, valid at T<sub>j</sub> = -40°C to 150°C, unless otherwise specified**

Characteristic	Symbol	Test Conditions	Min.	Typ. <sup>1</sup>	Max.	Unit
<b>Nominal Performance</b>						
Supply Voltage	V <sub>CC</sub>		4.5	–	5.5	V
Current-Sensing Range	I <sub>PR</sub>		-5	–	5	A
Sensitivity	Sens	I <sub>PR(min)</sub> < I <sub>P</sub> < I <sub>PR(max)</sub> , V <sub>CC</sub> = 5V	–	400	–	mV/A
Zero-Current Output Voltage	V <sub>IOUT(Q)</sub>	Bidirectional, I <sub>P</sub> = 0 A, V <sub>CC</sub> = 5V	–	V <sub>CC</sub> × 0.5	–	V
<b>Accuracy Performance</b>						
Total Output Error <sup>2</sup>	E <sub>TOT</sub>	I <sub>P</sub> = I <sub>PR(max)</sub> , T <sub>j</sub> = -40°C to 150°C	-2	±1	2	%
<b>Total Output Error Components<sup>3</sup> E<sub>TOT</sub> = E<sub>SENS</sub> + 100 × V<sub>OE</sub>/(Sens × I<sub>P</sub>)</b>						
Sensitivity Error	E <sub>sens</sub>	I <sub>P</sub> = I <sub>PR(max)</sub> , T <sub>j</sub> = -40°C to 150°C	-1.5	±1	1.5	%
Offset Voltage	V <sub>OE</sub>	I <sub>P</sub> = 0 A, T <sub>j</sub> = -40°C to 150°C	-10	±6	10	mV
<b>Lifetime Drift Characteristics</b>						
Sensitivity Error Lifetime Drift	E <sub>sens_drift</sub>			±1		%
Total Output Error Lifetime Drift	E <sub>tot_drift</sub>			±1		%

<sup>1</sup> Typical values with +/- are 3 sigma values

<sup>2</sup> Percentage of I<sub>P</sub>, with I<sub>P</sub> = I<sub>PR(max)</sub>.

<sup>3</sup> A single part will not have both the maximum/minimum sensitivity error and maximum/minimum offset voltage, as that would violate the maximum/minimum total output error specification. Also, 3 sigma distribution values are combined by taking the square root of the sum of the squares. See Application Information section.

**CH70105AB3\* Performance Characteristics: T<sub>A</sub> Range L, valid at T<sub>j</sub> = -40°C to 150°C, unless otherwise specified**

Characteristic	Symbol	Test Conditions	Min.	Typ. <sup>1</sup>	Max.	Unit
<b>Nominal Performance</b>						
Supply Voltage	V <sub>CC</sub>		3	–	3.6	V
Current-Sensing Range	I <sub>PR</sub>		-5	–	5	A
Sensitivity	Sens	I <sub>PR(min)</sub> < I <sub>P</sub> < I <sub>PR(max)</sub> , V <sub>CC</sub> = 3.3V	–	264	–	mV/A
Zero-Current Output Voltage	V <sub>IOUT(Q)</sub>	Bidirectional, I <sub>P</sub> = 0 A, V <sub>CC</sub> = 3.3V	–	V <sub>CC</sub> × 0.5	–	V
<b>Accuracy Performance</b>						
Total Output Error <sup>2</sup>	E <sub>TOT</sub>	I <sub>P</sub> = I <sub>PR(max)</sub> , T <sub>j</sub> = -40°C to 150°C	-2	±1	2	%
<b>Total Output Error Components<sup>3</sup> E<sub>TOT</sub> = E<sub>SENS</sub> + 100 × V<sub>OE</sub>/(Sens × I<sub>P</sub>)</b>						
Sensitivity Error	E <sub>sens</sub>	I <sub>P</sub> = I <sub>PR(max)</sub> , T <sub>j</sub> = -40°C to 150°C	-1.5	±1	1.5	%
Offset Voltage	V <sub>OE</sub>	I <sub>P</sub> = 0 A, T <sub>j</sub> = -40°C to 150°C	-10	±6	10	mV
<b>Lifetime Drift Characteristics</b>						
Sensitivity Error Lifetime Drift	E <sub>sens_drift</sub>			±1		%
Total Output Error Lifetime Drift	E <sub>tot_drift</sub>			±1		%

<sup>1</sup> Typical values with +/- are 3 sigma values

<sup>2</sup> Percentage of I<sub>P</sub>, with I<sub>P</sub> = I<sub>PR(max)</sub>.

<sup>3</sup> A single part will not have both the maximum/minimum sensitivity error and maximum/minimum offset voltage, as that would violate the maximum/minimum total output error specification. Also, 3 sigma distribution values are combined by taking the square root of the sum of the squares. See Application Information section.

**CH70110AU5\* Performance Characteristics: T<sub>A</sub> Range L, valid at T<sub>j</sub> = -40°C to 150°C, unless otherwise specified**

Characteristic	Symbol	Test Conditions	Min.	Typ. <sup>1</sup>	Max.	Unit
<b>Nominal Performance</b>						
Supply Voltage	V <sub>CC</sub>		4.5	–	5.5	V
Current-Sensing Range	I <sub>PR</sub>		0	–	10	A
Sensitivity	Sens	I <sub>PR(min)</sub> < I <sub>P</sub> < I <sub>PR(max)</sub> , V <sub>CC</sub> = 5V	–	370	–	mV/A
Zero-Current Output Voltage	V <sub>IOUT(Q)</sub>	Unidirectional, I <sub>P</sub> = 0 A, V <sub>CC</sub> = 5V	–	0.65	–	V
<b>Accuracy Performance</b>						
Total Output Error <sup>2</sup>	E <sub>TOT</sub>	I <sub>P</sub> = I <sub>PR(max)</sub> , T <sub>j</sub> = -40°C to 150°C	-2.5	±1.5	2.5	%
<b>Total Output Error Components<sup>3</sup> E<sub>TOT</sub> = E<sub>SENS</sub> + 100 × V<sub>OE</sub>/(Sens × I<sub>P</sub>)</b>						
Sensitivity Error	E <sub>sens</sub>	I <sub>P</sub> = I <sub>PR(max)</sub> , T <sub>j</sub> = -40°C to 150°C	-2	±1	2	%
Offset Voltage	V <sub>OE</sub>	I <sub>P</sub> = 0 A, T <sub>j</sub> = -40°C to 150°C	-15	±7	15	mV
<b>Lifetime Drift Characteristics</b>						
Sensitivity Error Lifetime Drift	E <sub>sens_drift</sub>			±1		%
Total Output Error Lifetime Drift	E <sub>tot_drift</sub>			±1		%

<sup>1</sup> Typical values with +/- are 3 sigma values

<sup>2</sup> Percentage of I<sub>P</sub>, with I<sub>P</sub> = I<sub>PR(max)</sub>.

<sup>3</sup> A single part will not have both the maximum/minimum sensitivity error and maximum/minimum offset voltage, as that would violate the maximum/minimum total output error specification. Also, 3 sigma distribution values are combined by taking the square root of the sum of the squares. See Application Information section.

**CH70110AU3\* Performance Characteristics: T<sub>A</sub> Range L, valid at T<sub>j</sub> = -40°C to 150°C, unless otherwise specified**

Characteristic	Symbol	Test Conditions	Min.	Typ. <sup>1</sup>	Max.	Unit
<b>Nominal Performance</b>						
Supply Voltage	V <sub>CC</sub>		3	–	3.6	V
Current-Sensing Range	I <sub>PR</sub>		0	–	10	A
Sensitivity	Sens	I <sub>PR(min)</sub> < I <sub>P</sub> < I <sub>PR(max)</sub> , VCC = 3.3V	–	240	–	mV/A
Zero-Current Output Voltage	V <sub>IOUT(Q)</sub>	Unidirectional, I <sub>P</sub> = 0 A, VCC = 3.3V	–	0.45	–	V
<b>Accuracy Performance</b>						
Total Output Error <sup>2</sup>	E <sub>TOT</sub>	I <sub>P</sub> = I <sub>PR(max)</sub> , T <sub>j</sub> = -40°C to 150°C	-2.5	±1.5	2.5	%
<b>Total Output Error Components<sup>3</sup> E<sub>TOT</sub> = E<sub>SENS</sub> + 100 × V<sub>OE</sub>/(Sens × I<sub>P</sub>)</b>						
Sensitivity Error	E <sub>sens</sub>	I <sub>P</sub> = I <sub>PR(max)</sub> , T <sub>j</sub> = -40°C to 150°C	-2	±1	2	%
Offset Voltage	V <sub>OE</sub>	I <sub>P</sub> = 0 A, T <sub>j</sub> = -40°C to 150°C	-15	±7	15	mV
<b>Lifetime Drift Characteristics</b>						
Sensitivity Error Lifetime Drift	E <sub>sens_drift</sub>			±1		%
Total Output Error Lifetime Drift	E <sub>tot_drift</sub>			±1		%

<sup>1</sup> Typical values with +/- are 3 sigma values

<sup>2</sup> Percentage of I<sub>P</sub>, with I<sub>P</sub> = I<sub>PR(max)</sub>.

<sup>3</sup> A single part will not have both the maximum/minimum sensitivity error and maximum/minimum offset voltage, as that would violate the maximum/minimum total output error specification. Also, 3 sigma distribution values are combined by taking the square root of the sum of the squares. See Application Information section.

**CH70110AB5\* Performance Characteristics: T<sub>A</sub> Range L, valid at T<sub>j</sub> = -40°C to 150°C, unless otherwise specified**

Characteristic	Symbol	Test Conditions	Min.	Typ. <sup>1</sup>	Max.	Unit
<b>Nominal Performance</b>						
Supply Voltage	V <sub>CC</sub>		4.5	–	5.5	V
Current-Sensing Range	I <sub>PR</sub>		-10	–	10	A
Sensitivity	Sens	I <sub>PR(min)</sub> < I <sub>P</sub> < I <sub>PR(max)</sub> , V <sub>CC</sub> = 5V	–	200	–	mV/A
Zero-Current Output Voltage	V <sub>IOUT(Q)</sub>	Bidirectional, I <sub>P</sub> = 0 A, V <sub>CC</sub> = 5V	–	V <sub>CC</sub> × 0.5	–	V
<b>Accuracy Performance</b>						
Total Output Error <sup>2</sup>	E <sub>TOT</sub>	I <sub>P</sub> = I <sub>PR(max)</sub> , T <sub>j</sub> = -40°C to 150°C	-2	±1	2	%
<b>Total Output Error Components<sup>3</sup> E<sub>TOT</sub> = E<sub>SENS</sub> + 100 × V<sub>OE</sub>/(Sens × I<sub>P</sub>)</b>						
Sensitivity Error	E <sub>sens</sub>	I <sub>P</sub> = I <sub>PR(max)</sub> , T <sub>j</sub> = -40°C to 150°C	-1.5	±1	1.5	%
Offset Voltage	V <sub>OE</sub>	I <sub>P</sub> = 0 A, T <sub>j</sub> = -40°C to 150°C	-10	±6	10	mV
<b>Lifetime Drift Characteristics</b>						
Sensitivity Error Lifetime Drift	E <sub>sens_drift</sub>			±1		%
Total Output Error Lifetime Drift	E <sub>tot_drift</sub>			±1		%

<sup>1</sup> Typical values with +/- are 3 sigma values

<sup>2</sup> Percentage of I<sub>P</sub>, with I<sub>P</sub> = I<sub>PR(max)</sub>.

<sup>3</sup> A single part will not have both the maximum/minimum sensitivity error and maximum/minimum offset voltage, as that would violate the maximum/minimum total output error specification. Also, 3 sigma distribution values are combined by taking the square root of the sum of the squares. See Application Information section.

**CH70110BU5\* Performance Characteristics: T<sub>A</sub> Range L, valid at T<sub>j</sub> = -40°C to 150°C, unless otherwise specified**

Characteristic	Symbol	Test Conditions	Min.	Typ. <sup>1</sup>	Max.	Unit
<b>Nominal Performance</b>						
Supply Voltage	V <sub>CC</sub>		4.5	–	5.5	V
Current-Sensing Range	I <sub>PR</sub>		0	–	10	A
Sensitivity	Sens	I <sub>PR(min)</sub> < I <sub>P</sub> < I <sub>PR(max)</sub>	–	370	–	mV/A
Zero-Current Output Voltage	V <sub>IOUT(Q)</sub>	Unidirectional, I <sub>P</sub> = 0 A	–	0.65	–	V
<b>Accuracy Performance</b>						
Total Output Error <sup>2</sup>	E <sub>TOT</sub>	I <sub>P</sub> = I <sub>PR(max)</sub> , T <sub>j</sub> = -40°C to 150°C	-2.5	±1.5	2.5	%
<b>Total Output Error Components<sup>3</sup> E<sub>TOT</sub> = E<sub>SENS</sub> + 100 × V<sub>OE</sub> / (Sens × I<sub>P</sub>)</b>						
Sensitivity Error	E <sub>sens</sub>	I <sub>P</sub> = I <sub>PR(max)</sub> , T <sub>j</sub> = -40°C to 150°C	-2	±1	2	%
Offset Voltage	V <sub>OE</sub>	I <sub>P</sub> = 0 A, T <sub>j</sub> = -40°C to 150°C	-15	±7	15	mV
<b>Lifetime Drift Characteristics</b>						
Sensitivity Error Lifetime Drift	E <sub>sens_drift</sub>			±1		%
Total Output Error Lifetime Drift	E <sub>tot_drift</sub>			±1		%

<sup>1</sup> Typical values with +/- are 3 sigma values

<sup>2</sup> Percentage of I<sub>P</sub>, with I<sub>P</sub> = I<sub>PR(max)</sub>.

<sup>3</sup> A single part will not have both the maximum/minimum sensitivity error and maximum/minimum offset voltage, as that would violate the maximum/minimum total output error specification. Also, 3 sigma distribution values are combined by taking the square root of the sum of the squares. See Application Information section.

**CH70110BB5\* Performance Characteristics: T<sub>A</sub> Range L, valid at T<sub>j</sub> = -40°C to 150°C, unless otherwise specified**

Characteristic	Symbol	Test Conditions	Min.	Typ. <sup>1</sup>	Max.	Unit
<b>Nominal Performance</b>						
Supply Voltage	V <sub>CC</sub>		4.5	–	5.5	V
Current-Sensing Range	I <sub>PR</sub>		-10	–	10	A
Sensitivity	Sens	I <sub>PR(min)</sub> < I <sub>P</sub> < I <sub>PR(max)</sub>	–	200	–	mV/A
Zero-Current Output Voltage	V <sub>IOUT(Q)</sub>	Bidirectional, I <sub>P</sub> = 0 A	–	2.5	–	V
<b>Accuracy Performance</b>						
Total Output Error <sup>2</sup>	E <sub>TOT</sub>	I <sub>P</sub> = I <sub>PR(max)</sub> , T <sub>j</sub> = -40°C to 150°C	-2	±1	2	%
<b>Total Output Error Components<sup>3</sup> E<sub>TOT</sub> = E<sub>SENS</sub> + 100 × V<sub>OE</sub> / (Sens × I<sub>P</sub>)</b>						
Sensitivity Error	E <sub>sens</sub>	I <sub>P</sub> = I <sub>PR(max)</sub> , T <sub>j</sub> = -40°C to 150°C	-1.5	±1	1.5	%
Offset Voltage	V <sub>OE</sub>	I <sub>P</sub> = 0 A, T <sub>j</sub> = -40°C to 150°C	-10	±6	10	mV
<b>Lifetime Drift Characteristics</b>						
Sensitivity Error Lifetime Drift	E <sub>sens_drift</sub>			±1		%
Total Output Error Lifetime Drift	E <sub>tot_drift</sub>			±1		%

<sup>1</sup> Typical values with +/- are 3 sigma values

<sup>2</sup> Percentage of I<sub>P</sub>, with I<sub>P</sub> = I<sub>PR(max)</sub>.

<sup>3</sup> A single part will not have both the maximum/minimum sensitivity error and maximum/minimum offset voltage, as that would violate the maximum/minimum total output error specification. Also, 3 sigma distribution values are combined by taking the square root of the sum of the squares. See Application Information section.

**CH70110CB5\* Performance Characteristics:  $T_A$  Range L, valid at  $T_j = -40^\circ\text{C}$  to  $150^\circ\text{C}$ , unless otherwise specified**

Characteristic	Symbol	Test Conditions	Min.	Typ. <sup>1</sup>	Max.	Unit
<b>Nominal Performance</b>						
Supply Voltage	$V_{CC}$		4.5	–	5.5	V
Current-Sensing Range	$I_{PR}$		-10	–	10	A
Sensitivity	Sens	$I_{PR(\min)} < I_P < I_{PR(\max)}$	–	132	–	mV/A
Zero-Current Output Voltage	$V_{IOUT(Q)}$	Bidirectional, $I_P = 0$ A	–	1.65	–	V
<b>Accuracy Performance</b>						
Total Output Error <sup>2</sup>	$E_{TOT}$	$I_P = I_{PR(\max)}$ , $T_j = -40^\circ\text{C}$ to $150^\circ\text{C}$	-2	$\pm 1$	2	%
<b>Total Output Error Components<sup>3</sup> <math>E_{TOT} = E_{SENS} + 100 \times V_{OE} / (\text{Sens} \times I_P)</math></b>						
Sensitivity Error	$E_{sens}$	$I_P = I_{PR(\max)}$ , $T_j = -40^\circ\text{C}$ to $150^\circ\text{C}$	-1.5	$\pm 1$	1.5	%
Offset Voltage	$V_{OE}$	$I_P = 0$ A, $T_j = -40^\circ\text{C}$ to $150^\circ\text{C}$	-10	$\pm 6$	10	mV
<b>Lifetime Drift Characteristics</b>						
Sensitivity Error Lifetime Drift	$E_{sens\_drift}$			$\pm 1$		%
Total Output Error Lifetime Drift	$E_{tot\_drift}$			$\pm 1$		%

<sup>1</sup> Typical values with +/- are 3 sigma values

<sup>2</sup> Percentage of  $I_P$ , with  $I_P = I_{PR(\max)}$ .

<sup>3</sup> A single part will not have both the maximum/minimum sensitivity error and maximum/minimum offset voltage, as that would violate the maximum/minimum total output error specification. Also, 3 sigma distribution values are combined by taking the square root of the sum of the squares. See Application Information section.



**CH70110CB3\* Performance Characteristics: T<sub>A</sub> Range L, valid at T<sub>j</sub> = -40°C to 150°C, unless otherwise specified**

Characteristic	Symbol	Test Conditions	Min.	Typ. <sup>1</sup>	Max.	Unit
<b>Nominal Performance</b>						
Supply Voltage	V <sub>CC</sub>		3	–	3.6	V
Current-Sensing Range	I <sub>PR</sub>		-10	–	10	A
Sensitivity	Sens	I <sub>PR(min)</sub> < I <sub>P</sub> < I <sub>PR(max)</sub>	–	132	–	mV/A
Zero-Current Output Voltage	V <sub>IOUT(Q)</sub>	Bidirectional, I <sub>P</sub> = 0 A	–	1.65	–	V
<b>Accuracy Performance</b>						
Total Output Error <sup>2</sup>	E <sub>TOT</sub>	I <sub>P</sub> = I <sub>PR(max)</sub> , T <sub>j</sub> = -40°C to 150°C	-2	±1	2	%
<b>Total Output Error Components<sup>3</sup> E<sub>TOT</sub> = E<sub>SENS</sub> + 100 × V<sub>OE</sub>/(Sens × I<sub>P</sub>)</b>						
Sensitivity Error	E <sub>sens</sub>	I <sub>P</sub> = I <sub>PR(max)</sub> , T <sub>j</sub> = -40°C to 150°C	-1.5	±1	1.5	%
Offset Voltage	V <sub>OE</sub>	I <sub>P</sub> = 0 A, T <sub>j</sub> = -40°C to 150°C	-10	±6	10	mV
<b>Lifetime Drift Characteristics</b>						
Sensitivity Error Lifetime Drift	E <sub>sens_drift</sub>			±1		%
Total Output Error Lifetime Drift	E <sub>tot_drift</sub>			±1		%

<sup>1</sup> Typical values with +/- are 3 sigma values

<sup>2</sup> Percentage of I<sub>P</sub>, with I<sub>P</sub> = I<sub>PR(max)</sub>.

<sup>3</sup> A single part will not have both the maximum/minimum sensitivity error and maximum/minimum offset voltage, as that would violate the maximum/minimum total output error specification. Also, 3 sigma distribution values are combined by taking the square root of the sum of the squares. See Application Information section.

**CH70120AU5\* Performance Characteristics: T<sub>A</sub> Range L, valid at T<sub>j</sub> = -40°C to 150°C, unless otherwise specified**

Characteristic	Symbol	Test Conditions	Min.	Typ. <sup>1</sup>	Max.	Unit
<b>Nominal Performance</b>						
Supply Voltage	V <sub>CC</sub>		4.5	–	5.5	V
Current-Sensing Range	I <sub>PR</sub>		0	–	20	A
Sensitivity	Sens	I <sub>PR(min)</sub> < I <sub>P</sub> < I <sub>PR(max)</sub> , VCC = 5V	–	200	–	mV/A
Zero-Current Output Voltage	V <sub>IOUT(Q)</sub>	Unidirectional, I <sub>P</sub> = 0 A, VCC = 5V	–	V <sub>CC</sub> × 0.1	–	V
<b>Accuracy Performance</b>						
Total Output Error <sup>2</sup>	E <sub>TOT</sub>	I <sub>P</sub> = I <sub>PR(max)</sub> , T <sub>j</sub> = -40°C to 150°C	-2	±0.7	2	%
<b>Total Output Error Components<sup>3</sup> E<sub>TOT</sub> = E<sub>SENS</sub> + 100 × V<sub>OE</sub>/(Sens × I<sub>P</sub>)</b>						
Sensitivity Error	E <sub>sens</sub>	I <sub>P</sub> = I <sub>PR(max)</sub> , T <sub>j</sub> = -40°C to 150°C	-1.5	±0.7	1.5	%
Offset Voltage	V <sub>OE</sub>	I <sub>P</sub> = 0 A, T <sub>j</sub> = -40°C to 150°C	-10	±6	10	mV
<b>Lifetime Drift Characteristics</b>						
Sensitivity Error Lifetime Drift	E <sub>sens_drift</sub>			±1		%
Total Output Error Lifetime Drift	E <sub>tot_drift</sub>			±1		%

<sup>1</sup> Typical values with +/- are 3 sigma values

<sup>2</sup> Percentage of I<sub>P</sub>, with I<sub>P</sub> = I<sub>PR(max)</sub>.

<sup>3</sup> A single part will not have both the maximum/minimum sensitivity error and maximum/minimum offset voltage, as that would violate the maximum/minimum total output error specification. Also, 3 sigma distribution values are combined by taking the square root of the sum of the squares. See Application Information section.

**CH70120AU3\* Performance Characteristics: T<sub>A</sub> Range L, valid at T<sub>j</sub> = -40°C to 150°C, unless otherwise specified**

Characteristic	Symbol	Test Conditions	Min.	Typ. <sup>1</sup>	Max.	Unit
<b>Nominal Performance</b>						
Supply Voltage	V <sub>CC</sub>		3	–	3.6	V
Current-Sensing Range	I <sub>PR</sub>		0	–	20	A
Sensitivity	Sens	I <sub>PR(min)</sub> < I <sub>P</sub> < I <sub>PR(max)</sub> , VCC = 3.3V	–	132	–	mV/A
Zero-Current Output Voltage	V <sub>IOUT(Q)</sub>	Unidirectional, I <sub>P</sub> = 0 A, VCC = 3.3V	–	0.45	–	V
<b>Accuracy Performance</b>						
Total Output Error <sup>2</sup>	E <sub>TOT</sub>	I <sub>P</sub> = I <sub>PR(max)</sub> , T <sub>j</sub> = -40°C to 150°C	-2	±0.7	2	%
<b>Total Output Error Components<sup>3</sup> E<sub>TOT</sub> = E<sub>SENS</sub> + 100 × V<sub>OE</sub>/(Sens × I<sub>P</sub>)</b>						
Sensitivity Error	E <sub>sens</sub>	I <sub>P</sub> = I <sub>PR(max)</sub> , T <sub>j</sub> = -40°C to 150°C	-1.5	±0.7	1.5	%
Offset Voltage	V <sub>OE</sub>	I <sub>P</sub> = 0 A, T <sub>j</sub> = -40°C to 150°C	-10	±6	10	mV
<b>Lifetime Drift Characteristics</b>						
Sensitivity Error Lifetime Drift	E <sub>sens_drift</sub>			±1		%
Total Output Error Lifetime Drift	E <sub>tot_drift</sub>			±1		%

<sup>1</sup> Typical values with +/- are 3 sigma values

<sup>2</sup> Percentage of I<sub>P</sub>, with I<sub>P</sub> = I<sub>PR(max)</sub>.

<sup>3</sup> A single part will not have both the maximum/minimum sensitivity error and maximum/minimum offset voltage, as that would violate the maximum/minimum total output error specification. Also, 3 sigma distribution values are combined by taking the square root of the sum of the squares. See Application Information section.

**CH70120AB5\* Performance Characteristics: T<sub>A</sub> Range L, valid at T<sub>j</sub> = -40°C to 150°C, unless otherwise specified**

Characteristic	Symbol	Test Conditions	Min.	Typ. <sup>1</sup>	Max.	Unit
<b>Nominal Performance</b>						
Supply Voltage	V <sub>CC</sub>		4.5	–	5.5	V
Current-Sensing Range	I <sub>PR</sub>		-20	–	20	A
Sensitivity	Sens	I <sub>PR(min)</sub> < I <sub>P</sub> < I <sub>PR(max)</sub> , V <sub>CC</sub> = 5V	–	100	–	mV/A
Zero-Current Output Voltage	V <sub>IOUT(Q)</sub>	Bidirectional, I <sub>P</sub> = 0 A, V <sub>CC</sub> = 5V	–	V <sub>CC</sub> × 0.5	–	V
<b>Accuracy Performance</b>						
Total Output Error <sup>2</sup>	E <sub>TOT</sub>	I <sub>P</sub> = I <sub>PR(max)</sub> , T <sub>j</sub> = -40°C to 150°C	-2	±0.8	2	%
<b>Total Output Error Components<sup>3</sup> E<sub>TOT</sub> = E<sub>SENS</sub> + 100 × V<sub>OE</sub>/(Sens × I<sub>P</sub>)</b>						
Sensitivity Error	E <sub>sens</sub>	I <sub>P</sub> = I <sub>PR(max)</sub> , T <sub>j</sub> = -40°C to 150°C	-1.5	±0.6	1.5	%
Offset Voltage	V <sub>OE</sub>	I <sub>P</sub> = 0 A, T <sub>j</sub> = -40°C to 150°C	-10	±5	10	mV
<b>Lifetime Drift Characteristics</b>						
Sensitivity Error Lifetime Drift	E <sub>sens_drift</sub>			±1		%
Total Output Error Lifetime Drift	E <sub>tot_drift</sub>			±1		%

<sup>1</sup> Typical values with +/- are 3 sigma values

<sup>2</sup> Percentage of I<sub>P</sub>, with I<sub>P</sub> = I<sub>PR(max)</sub>.

<sup>3</sup> A single part will not have both the maximum/minimum sensitivity error and maximum/minimum offset voltage, as that would violate the maximum/minimum total output error specification. Also, 3 sigma distribution values are combined by taking the square root of the sum of the squares. See Application Information section.

**CH70120AB3\* Performance Characteristics: T<sub>A</sub> Range L, valid at T<sub>j</sub> = -40°C to 150°C, unless otherwise specified**

Characteristic	Symbol	Test Conditions	Min.	Typ. <sup>1</sup>	Max.	Unit
<b>Nominal Performance</b>						
Supply Voltage	V <sub>CC</sub>		3	–	3.6	V
Current-Sensing Range	I <sub>PR</sub>		-20	–	20	A
Sensitivity	Sens	I <sub>PR(min)</sub> < I <sub>P</sub> < I <sub>PR(max)</sub> , V <sub>CC</sub> = 3.3V	–	66	–	mV/A
Zero-Current Output Voltage	V <sub>IOUT(Q)</sub>	Bidirectional, I <sub>P</sub> = 0 A, V <sub>CC</sub> = 3.3V	–	V <sub>CC</sub> × 0.5	–	V
<b>Accuracy Performance</b>						
Total Output Error <sup>2</sup>	E <sub>TOT</sub>	I <sub>P</sub> = I <sub>PR(max)</sub> , T <sub>j</sub> = -40°C to 150°C	-2	±0.8	2	%
<b>Total Output Error Components<sup>3</sup> E<sub>TOT</sub> = E<sub>SENS</sub> + 100 × V<sub>OE</sub>/(Sens × I<sub>P</sub>)</b>						
Sensitivity Error	E <sub>sens</sub>	I <sub>P</sub> = I <sub>PR(max)</sub> , T <sub>j</sub> = -40°C to 150°C	-1.5	±0.6	1.5	%
Offset Voltage	V <sub>OE</sub>	I <sub>P</sub> = 0 A, T <sub>j</sub> = -40°C to 150°C	-10	±5	10	mV
<b>Lifetime Drift Characteristics</b>						
Sensitivity Error Lifetime Drift	E <sub>sens_drift</sub>			±1		%
Total Output Error Lifetime Drift	E <sub>tot_drift</sub>			±1		%

<sup>1</sup> Typical values with +/- are 3 sigma values

<sup>2</sup> Percentage of I<sub>P</sub>, with I<sub>P</sub> = I<sub>PR(max)</sub>.

<sup>3</sup> A single part will not have both the maximum/minimum sensitivity error and maximum/minimum offset voltage, as that would violate the maximum/minimum total output error specification. Also, 3 sigma distribution values are combined by taking the square root of the sum of the squares. See Application Information section.

**CH70120BU5\* Performance Characteristics:  $T_A$  Range L, valid at  $T_j = -40^\circ\text{C}$  to  $150^\circ\text{C}$ , unless otherwise specified**

Characteristic	Symbol	Test Conditions	Min.	Typ. <sup>1</sup>	Max.	Unit
<b>Nominal Performance</b>						
Supply Voltage	$V_{CC}$		4.5	–	5.5	V
Current-Sensing Range	$I_{PR}$		0	–	20	A
Sensitivity	Sens	$I_{PR(min)} < I_P < I_{PR(max)}$	–	200	–	mV/A
Zero-Current Output Voltage	$V_{IOUT(Q)}$	Unidirectional, $I_P = 0$ A	–	0.5	–	V
<b>Accuracy Performance</b>						
Total Output Error <sup>2</sup>	$E_{TOT}$	$I_P = I_{PR(max)}$ , $T_j = -40^\circ\text{C}$ to $150^\circ\text{C}$	–2	$\pm 0.7$	2	%
<b>Total Output Error Components<sup>3</sup> <math>E_{TOT} = E_{SENS} + 100 \times V_{OE} / (\text{Sens} \times I_P)</math></b>						
Sensitivity Error	$E_{sens}$	$I_P = I_{PR(max)}$ , $T_j = -40^\circ\text{C}$ to $150^\circ\text{C}$	–1.5	$\pm 0.7$	1.5	%
Offset Voltage	$V_{OE}$	$I_P = 0$ A, $T_j = -40^\circ\text{C}$ to $150^\circ\text{C}$	–10	$\pm 6$	10	mV
<b>Lifetime Drift Characteristics</b>						
Sensitivity Error Lifetime Drift	$E_{sens\_drift}$			$\pm 1$		%
Total Output Error Lifetime Drift	$E_{tot\_drift}$			$\pm 1$		%

<sup>1</sup> Typical values with +/- are 3 sigma values

<sup>2</sup> Percentage of  $I_P$ , with  $I_P = I_{PR(max)}$ .

<sup>3</sup> A single part will not have both the maximum/minimum sensitivity error and maximum/minimum offset voltage, as that would violate the maximum/minimum total output error specification. Also, 3 sigma distribution values are combined by taking the square root of the sum of the squares. See Application Information section.

**CH70120BB5\* Performance Characteristics:  $T_A$  Range L, valid at  $T_j = -40^\circ\text{C}$  to  $150^\circ\text{C}$ , unless otherwise specified**

Characteristic	Symbol	Test Conditions	Min.	Typ. <sup>1</sup>	Max.	Unit
<b>Nominal Performance</b>						
Supply Voltage	$V_{CC}$		4.5	–	5.5	V
Current-Sensing Range	$I_{PR}$		-20	–	20	A
Sensitivity	Sens	$I_{PR(min)} < I_P < I_{PR(max)}$	–	100	–	mV/A
Zero-Current Output Voltage	$V_{IOUT(Q)}$	Bidirectional, $I_P = 0$ A	–	2.5	–	V
<b>Accuracy Performance</b>						
Total Output Error <sup>2</sup>	$E_{TOT}$	$I_P = I_{PR(max)}$ , $T_j = -40^\circ\text{C}$ to $150^\circ\text{C}$	-2	$\pm 0.8$	2	%
<b>Total Output Error Components<sup>3</sup> <math>E_{TOT} = E_{SENS} + 100 \times V_{OE} / (\text{Sens} \times I_P)</math></b>						
Sensitivity Error	$E_{sens}$	$I_P = I_{PR(max)}$ , $T_j = -40^\circ\text{C}$ to $150^\circ\text{C}$	-1.5	$\pm 0.6$	1.5	%
Offset Voltage	$V_{OE}$	$I_P = 0$ A, $T_j = -40^\circ\text{C}$ to $150^\circ\text{C}$	-10	$\pm 5$	10	mV
<b>Lifetime Drift Characteristics</b>						
Sensitivity Error Lifetime Drift	$E_{sens\_drift}$			$\pm 1$		%
Total Output Error Lifetime Drift	$E_{tot\_drift}$			$\pm 1$		%

<sup>1</sup> Typical values with +/- are 3 sigma values

<sup>2</sup> Percentage of  $I_P$ , with  $I_P = I_{PR(max)}$ .

<sup>3</sup> A single part will not have both the maximum/minimum sensitivity error and maximum/minimum offset voltage, as that would violate the maximum/minimum total output error specification. Also, 3 sigma distribution values are combined by taking the square root of the sum of the squares. See Application Information section.

**CH70120CU5\* Performance Characteristics:  $T_A$  Range L, valid at  $T_j = -40^\circ\text{C}$  to  $150^\circ\text{C}$ , unless otherwise specified**

Characteristic	Symbol	Test Conditions	Min.	Typ. <sup>1</sup>	Max.	Unit
<b>Nominal Performance</b>						
Supply Voltage	$V_{CC}$		4.5	–	5.5	V
Current-Sensing Range	$I_{PR}$		0	–	20	A
Sensitivity	Sens	$I_{PR(min)} < I_P < I_{PR(max)}$	–	132	–	mV/A
Zero-Current Output Voltage	$V_{IOUT(Q)}$	Unidirectional, $I_P = 0$ A	–	0.33	–	V
<b>Accuracy Performance</b>						
Total Output Error <sup>2</sup>	$E_{TOT}$	$I_P = I_{PR(max)}$ , $T_j = -40^\circ\text{C}$ to $150^\circ\text{C}$	–2	$\pm 0.7$	2	%
<b>Total Output Error Components<sup>3</sup> <math>E_{TOT} = E_{SENS} + 100 \times V_{OE} / (\text{Sens} \times I_P)</math></b>						
Sensitivity Error	$E_{sens}$	$I_P = I_{PR(max)}$ , $T_j = -40^\circ\text{C}$ to $150^\circ\text{C}$	–1.5	$\pm 0.7$	1.5	%
Offset Voltage	$V_{OE}$	$I_P = 0$ A, $T_j = -40^\circ\text{C}$ to $150^\circ\text{C}$	–10	$\pm 6$	10	mV
<b>Lifetime Drift Characteristics</b>						
Sensitivity Error Lifetime Drift	$E_{sens\_drift}$			$\pm 1$		%
Total Output Error Lifetime Drift	$E_{tot\_drift}$			$\pm 1$		%

<sup>1</sup> Typical values with +/- are 3 sigma values

<sup>2</sup> Percentage of  $I_P$ , with  $I_P = I_{PR(max)}$ .

<sup>3</sup> A single part will not have both the maximum/minimum sensitivity error and maximum/minimum offset voltage, as that would violate the maximum/minimum total output error specification. Also, 3 sigma distribution values are combined by taking the square root of the sum of the squares. See Application Information section.



**CH70120CU3\* Performance Characteristics:  $T_A$  Range L, valid at  $T_j = -40^\circ\text{C}$  to  $150^\circ\text{C}$ , unless otherwise specified**

Characteristic	Symbol	Test Conditions	Min.	Typ. <sup>1</sup>	Max.	Unit
<b>Nominal Performance</b>						
Supply Voltage	$V_{CC}$		3	–	3.6	V
Current-Sensing Range	$I_{PR}$		0	–	20	A
Sensitivity	Sens	$I_{PR(min)} < I_P < I_{PR(max)}$	–	132	–	mV/A
Zero-Current Output Voltage	$V_{IOUT(Q)}$	Unidirectional, $I_P = 0$ A	–	0.33	–	V
<b>Accuracy Performance</b>						
Total Output Error <sup>2</sup>	$E_{TOT}$	$I_P = I_{PR(max)}$ , $T_j = -40^\circ\text{C}$ to $150^\circ\text{C}$	–2	$\pm 0.7$	2	%
<b>Total Output Error Components<sup>3</sup> <math>E_{TOT} = E_{SENS} + 100 \times V_{OE} / (\text{Sens} \times I_P)</math></b>						
Sensitivity Error	$E_{sens}$	$I_P = I_{PR(max)}$ , $T_j = -40^\circ\text{C}$ to $150^\circ\text{C}$	–1.5	$\pm 0.7$	1.5	%
Offset Voltage	$V_{OE}$	$I_P = 0$ A, $T_j = -40^\circ\text{C}$ to $150^\circ\text{C}$	–10	$\pm 6$	10	mV
<b>Lifetime Drift Characteristics</b>						
Sensitivity Error Lifetime Drift	$E_{sens\_drift}$			$\pm 1$		%
Total Output Error Lifetime Drift	$E_{tot\_drift}$			$\pm 1$		%

<sup>1</sup> Typical values with +/- are 3 sigma values

<sup>2</sup> Percentage of  $I_P$ , with  $I_P = I_{PR(max)}$ .

<sup>3</sup> A single part will not have both the maximum/minimum sensitivity error and maximum/minimum offset voltage, as that would violate the maximum/minimum total output error specification. Also, 3 sigma distribution values are combined by taking the square root of the sum of the squares. See Application Information section.

**CH70120CB5\* Performance Characteristics:  $T_A$  Range L, valid at  $T_j = -40^\circ\text{C}$  to  $150^\circ\text{C}$ , unless otherwise specified**

Characteristic	Symbol	Test Conditions	Min.	Typ. <sup>1</sup>	Max.	Unit
<b>Nominal Performance</b>						
Supply Voltage	$V_{CC}$		4.5	–	5.5	V
Current-Sensing Range	$I_{PR}$		-20	–	20	A
Sensitivity	Sens	$I_{PR(min)} < I_P < I_{PR(max)}$	–	66	–	mV/A
Zero-Current Output Voltage	$V_{IOUT(Q)}$	Bidirectional, $I_P = 0$ A	–	1.65	–	V
<b>Accuracy Performance</b>						
Total Output Error <sup>2</sup>	$E_{TOT}$	$I_P = I_{PR(max)}$ , $T_j = -40^\circ\text{C}$ to $150^\circ\text{C}$	-2	$\pm 0.8$	2	%
<b>Total Output Error Components<sup>3</sup> <math>E_{TOT} = E_{SENS} + 100 \times V_{OE} / (\text{Sens} \times I_P)</math></b>						
Sensitivity Error	$E_{sens}$	$I_P = I_{PR(max)}$ , $T_j = -40^\circ\text{C}$ to $150^\circ\text{C}$	-1.5	$\pm 0.6$	1.5	%
Offset Voltage	$V_{OE}$	$I_P = 0$ A, $T_j = -40^\circ\text{C}$ to $150^\circ\text{C}$	-10	$\pm 5$	10	mV
<b>Lifetime Drift Characteristics</b>						
Sensitivity Error Lifetime Drift	$E_{sens\_drift}$			$\pm 1$		%
Total Output Error Lifetime Drift	$E_{tot\_drift}$			$\pm 1$		%

<sup>1</sup> Typical values with +/- are 3 sigma values

<sup>2</sup> Percentage of  $I_P$ , with  $I_P = I_{PR(max)}$ .

<sup>3</sup> A single part will not have both the maximum/minimum sensitivity error and maximum/minimum offset voltage, as that would violate the maximum/minimum total output error specification. Also, 3 sigma distribution values are combined by taking the square root of the sum of the squares. See Application Information section.

**CH70120CB3\* Performance Characteristics:  $T_A$  Range L, valid at  $T_j = -40^\circ\text{C}$  to  $150^\circ\text{C}$ , unless otherwise specified**

Characteristic	Symbol	Test Conditions	Min.	Typ. <sup>1</sup>	Max.	Unit
<b>Nominal Performance</b>						
Supply Voltage	$V_{CC}$		3	–	3.6	V
Current-Sensing Range	$I_{PR}$		-20	–	20	A
Sensitivity	Sens	$I_{PR(min)} < I_P < I_{PR(max)}$	–	66	–	mV/A
Zero-Current Output Voltage	$V_{IOUT(Q)}$	Bidirectional, $I_P = 0$ A	–	1.65	–	V
<b>Accuracy Performance</b>						
Total Output Error <sup>2</sup>	$E_{TOT}$	$I_P = I_{PR(max)}$ , $T_j = -40^\circ\text{C}$ to $150^\circ\text{C}$	-2	$\pm 0.8$	2	%
<b>Total Output Error Components<sup>3</sup> <math>E_{TOT} = E_{SENS} + 100 \times V_{OE} / (\text{Sens} \times I_P)</math></b>						
Sensitivity Error	$E_{sens}$	$I_P = I_{PR(max)}$ , $T_j = -40^\circ\text{C}$ to $150^\circ\text{C}$	-1.5	$\pm 0.6$	1.5	%
Offset Voltage	$V_{OE}$	$I_P = 0$ A, $T_j = -40^\circ\text{C}$ to $150^\circ\text{C}$	-10	$\pm 5$	10	mV
<b>Lifetime Drift Characteristics</b>						
Sensitivity Error Lifetime Drift	$E_{sens\_drift}$			$\pm 1$		%
Total Output Error Lifetime Drift	$E_{tot\_drift}$			$\pm 1$		%

<sup>1</sup> Typical values with +/- are 3 sigma values

<sup>2</sup> Percentage of  $I_P$ , with  $I_P = I_{PR(max)}$ .

<sup>3</sup> A single part will not have both the maximum/minimum sensitivity error and maximum/minimum offset voltage, as that would violate the maximum/minimum total output error specification. Also, 3 sigma distribution values are combined by taking the square root of the sum of the squares. See Application Information section.

**CH70130AU5\* Performance Characteristics: T<sub>A</sub> Range L, valid at T<sub>j</sub> = -40°C to 150°C, unless otherwise specified**

Characteristic	Symbol	Test Conditions	Min.	Typ. <sup>1</sup>	Max.	Unit
<b>Nominal Performance</b>						
Supply Voltage	V <sub>CC</sub>		4.5	–	5.5	V
Current-Sensing Range	I <sub>PR</sub>		0	–	30	A
Sensitivity	Sens	I <sub>PR(min)</sub> < I <sub>P</sub> < I <sub>PR(max)</sub> , VCC = 5V	–	133	–	mV/A
Zero-Current Output Voltage	V <sub>IOUT(Q)</sub>	Unidirectional, I <sub>P</sub> = 0 A, VCC = 5V	–	V <sub>CC</sub> × 0.1	–	V
<b>Accuracy Performance</b>						
Total Output Error <sup>2</sup>	E <sub>TOT</sub>	I <sub>P</sub> = I <sub>PR(max)</sub> , T <sub>j</sub> = -40°C to 150°C	-2	±0.7	2	%
<b>Total Output Error Components<sup>3</sup> E<sub>TOT</sub> = E<sub>SENS</sub> + 100 × V<sub>OE</sub>/(Sens × I<sub>P</sub>)</b>						
Sensitivity Error	E <sub>sens</sub>	I <sub>P</sub> = I <sub>PR(max)</sub> , T <sub>j</sub> = -40°C to 150°C	-1.5	±0.7	1.5	%
Offset Voltage	V <sub>OE</sub>	I <sub>P</sub> = 0 A, T <sub>j</sub> = -40°C to 150°C	-10	±6	10	mV
<b>Lifetime Drift Characteristics</b>						
Sensitivity Error Lifetime Drift	E <sub>sens_drift</sub>			±1		%
Total Output Error Lifetime Drift	E <sub>tot_drift</sub>			±1		%

<sup>1</sup> Typical values with +/- are 3 sigma values

<sup>2</sup> Percentage of I<sub>P</sub>, with I<sub>P</sub> = I<sub>PR(max)</sub>.

<sup>3</sup> A single part will not have both the maximum/minimum sensitivity error and maximum/minimum offset voltage, as that would violate the maximum/minimum total output error specification. Also, 3 sigma distribution values are combined by taking the square root of the sum of the squares. See Application Information section.

**CH70130AU3\* Performance Characteristics:  $T_A$  Range L, valid at  $T_j = -40^\circ\text{C}$  to  $150^\circ\text{C}$ , unless otherwise specified**

Characteristic	Symbol	Test Conditions	Min.	Typ. <sup>1</sup>	Max.	Unit
<b>Nominal Performance</b>						
Supply Voltage	$V_{CC}$		3	–	3.6	V
Current-Sensing Range	$I_{PR}$		0	–	30	A
Sensitivity	Sens	$I_{PR(min)} < I_P < I_{PR(max)}$ , $V_{CC} = 3.3V$	–	88	–	mV/A
Zero-Current Output Voltage	$V_{IOUT(Q)}$	Unidirectional, $I_P = 0$ A, $V_{CC} = 3.3V$	–	0.45	–	V
<b>Accuracy Performance</b>						
Total Output Error <sup>2</sup>	$E_{TOT}$	$I_P = I_{PR(max)}$ , $T_j = -40^\circ\text{C}$ to $150^\circ\text{C}$	–2	$\pm 0.7$	2	%
<b>Total Output Error Components<sup>3</sup> <math>E_{TOT} = E_{SENS} + 100 \times V_{OE} / (\text{Sens} \times I_P)</math></b>						
Sensitivity Error	$E_{sens}$	$I_P = I_{PR(max)}$ , $T_j = -40^\circ\text{C}$ to $150^\circ\text{C}$	–1.5	$\pm 0.7$	1.5	%
Offset Voltage	$V_{OE}$	$I_P = 0$ A, $T_j = -40^\circ\text{C}$ to $150^\circ\text{C}$	–10	$\pm 6$	10	mV
<b>Lifetime Drift Characteristics</b>						
Sensitivity Error Lifetime Drift	$E_{sens\_drift}$			$\pm 1$		%
Total Output Error Lifetime Drift	$E_{tot\_drift}$			$\pm 1$		%

<sup>1</sup> Typical values with +/- are 3 sigma values

<sup>2</sup> Percentage of  $I_P$ , with  $I_P = I_{PR(max)}$ .

<sup>3</sup> A single part will not have both the maximum/minimum sensitivity error and maximum/minimum offset voltage, as that would violate the maximum/minimum total output error specification. Also, 3 sigma distribution values are combined by taking the square root of the sum of the squares. See Application Information section.

**CH70130AB5\* Performance Characteristics: T<sub>A</sub> Range L, valid at T<sub>j</sub> = -40°C to 150°C, unless otherwise specified**

Characteristic	Symbol	Test Conditions	Min.	Typ. <sup>1</sup>	Max.	Unit
<b>Nominal Performance</b>						
Supply Voltage	V <sub>CC</sub>		4.5	–	5.5	V
Current-Sensing Range	I <sub>PR</sub>		-30	–	30	A
Sensitivity	Sens	I <sub>PR(min)</sub> < I <sub>P</sub> < I <sub>PR(max)</sub> , V <sub>CC</sub> = 5V	–	66	–	mV/A
Zero-Current Output Voltage	V <sub>IOUT(Q)</sub>	Bidirectional, I <sub>P</sub> = 0 A, V <sub>CC</sub> = 5V	–	V <sub>CC</sub> × 0.5	–	V
<b>Accuracy Performance</b>						
Total Output Error <sup>2</sup>	E <sub>TOT</sub>	I <sub>P</sub> = I <sub>PR(max)</sub> , T <sub>j</sub> = -40°C to 150°C	-2	±0.8	2	%
<b>Total Output Error Components<sup>3</sup> E<sub>TOT</sub> = E<sub>SENS</sub> + 100 × V<sub>OE</sub>/(Sens × I<sub>P</sub>)</b>						
Sensitivity Error	E <sub>sens</sub>	I <sub>P</sub> = I <sub>PR(max)</sub> , T <sub>j</sub> = -40°C to 150°C	-1.5	±0.8	1.5	%
Offset Voltage	V <sub>OE</sub>	I <sub>P</sub> = 0 A, T <sub>j</sub> = -40°C to 150°C	-10	±6	10	mV
<b>Lifetime Drift Characteristics</b>						
Sensitivity Error Lifetime Drift	E <sub>sens_drift</sub>			±1		%
Total Output Error Lifetime Drift	E <sub>tot_drift</sub>			±1		%

<sup>1</sup> Typical values with +/- are 3 sigma values

<sup>2</sup> Percentage of I<sub>P</sub>, with I<sub>P</sub> = I<sub>PR(max)</sub>.

<sup>3</sup> A single part will not have both the maximum/minimum sensitivity error and maximum/minimum offset voltage, as that would violate the maximum/minimum total output error specification. Also, 3 sigma distribution values are combined by taking the square root of the sum of the squares. See Application Information section.

**CH70130AB3\* Performance Characteristics: T<sub>A</sub> Range L, valid at T<sub>j</sub> = -40°C to 150°C, unless otherwise specified**

Characteristic	Symbol	Test Conditions	Min.	Typ. <sup>1</sup>	Max.	Unit
<b>Nominal Performance</b>						
Supply Voltage	V <sub>CC</sub>		3	–	3.6	V
Current-Sensing Range	I <sub>PR</sub>		-30	–	30	A
Sensitivity	Sens	I <sub>PR(min)</sub> < I <sub>P</sub> < I <sub>PR(max)</sub> , V <sub>CC</sub> = 3.3V	–	44	–	mV/A
Zero-Current Output Voltage	V <sub>IOUT(Q)</sub>	Bidirectional, I <sub>P</sub> = 0 A, V <sub>CC</sub> = 3.3V	–	V <sub>CC</sub> × 0.5	–	V
<b>Accuracy Performance</b>						
Total Output Error <sup>2</sup>	E <sub>TOT</sub>	I <sub>P</sub> = I <sub>PR(max)</sub> , T <sub>j</sub> = -40°C to 150°C	-2	±0.8	2	%
<b>Total Output Error Components<sup>3</sup> E<sub>TOT</sub> = E<sub>SENS</sub> + 100 × V<sub>OE</sub>/(Sens × I<sub>P</sub>)</b>						
Sensitivity Error	E <sub>sens</sub>	I <sub>P</sub> = I <sub>PR(max)</sub> , T <sub>j</sub> = -40°C to 150°C	-1.5	±0.8	1.5	%
Offset Voltage	V <sub>OE</sub>	I <sub>P</sub> = 0 A, T <sub>j</sub> = -40°C to 150°C	-10	±6	10	mV
<b>Lifetime Drift Characteristics</b>						
Sensitivity Error Lifetime Drift	E <sub>sens_drift</sub>			±1		%
Total Output Error Lifetime Drift	E <sub>tot_drift</sub>			±1		%

<sup>1</sup> Typical values with +/- are 3 sigma values

<sup>2</sup> Percentage of I<sub>P</sub>, with I<sub>P</sub> = I<sub>PR(max)</sub>.

<sup>3</sup> A single part will not have both the maximum/minimum sensitivity error and maximum/minimum offset voltage, as that would violate the maximum/minimum total output error specification. Also, 3 sigma distribution values are combined by taking the square root of the sum of the squares. See Application Information section.

**CH70130BU5\* Performance Characteristics:  $T_A$  Range L, valid at  $T_j = -40^\circ\text{C}$  to  $150^\circ\text{C}$ , unless otherwise specified**

Characteristic	Symbol	Test Conditions	Min.	Typ. <sup>1</sup>	Max.	Unit
<b>Nominal Performance</b>						
Supply Voltage	$V_{CC}$		4.5	–	5.5	V
Current-Sensing Range	$I_{PR}$		0	–	30	A
Sensitivity	Sens	$I_{PR(min)} < I_P < I_{PR(max)}$	–	133	–	mV/A
Zero-Current Output Voltage	$V_{IOUT(Q)}$	Unidirectional, $I_P = 0$ A	–	0.5	–	V
<b>Accuracy Performance</b>						
Total Output Error <sup>2</sup>	$E_{TOT}$	$I_P = I_{PR(max)}$ , $T_j = -40^\circ\text{C}$ to $150^\circ\text{C}$	–2	$\pm 0.7$	2	%
<b>Total Output Error Components<sup>3</sup> <math>E_{TOT} = E_{SENS} + 100 \times V_{OE} / (\text{Sens} \times I_P)</math></b>						
Sensitivity Error	$E_{sens}$	$I_P = I_{PR(max)}$ , $T_j = -40^\circ\text{C}$ to $150^\circ\text{C}$	–1.5	$\pm 0.7$	1.5	%
Offset Voltage	$V_{OE}$	$I_P = 0$ A, $T_j = -40^\circ\text{C}$ to $150^\circ\text{C}$	–10	$\pm 6$	10	mV
<b>Lifetime Drift Characteristics</b>						
Sensitivity Error Lifetime Drift	$E_{sens\_drift}$			$\pm 1$		%
Total Output Error Lifetime Drift	$E_{tot\_drift}$			$\pm 1$		%

<sup>1</sup> Typical values with +/- are 3 sigma values

<sup>2</sup> Percentage of  $I_P$ , with  $I_P = I_{PR(max)}$ .

<sup>3</sup> A single part will not have both the maximum/minimum sensitivity error and maximum/minimum offset voltage, as that would violate the maximum/minimum total output error specification. Also, 3 sigma distribution values are combined by taking the square root of the sum of the squares. See Application Information section.



**CH70130BB5\* Performance Characteristics:  $T_A$  Range L, valid at  $T_j = -40^\circ\text{C}$  to  $150^\circ\text{C}$ , unless otherwise specified**

Characteristic	Symbol	Test Conditions	Min.	Typ. <sup>1</sup>	Max.	Unit
<b>Nominal Performance</b>						
Supply Voltage	$V_{CC}$		4.5	–	5.5	V
Current-Sensing Range	$I_{PR}$		-30	–	30	A
Sensitivity	Sens	$I_{PR(min)} < I_P < I_{PR(max)}$	–	66	–	mV/A
Zero-Current Output Voltage	$V_{IOUT(Q)}$	Bidirectional, $I_P = 0$ A	–	2.5	–	V
<b>Accuracy Performance</b>						
Total Output Error <sup>2</sup>	$E_{TOT}$	$I_P = I_{PR(max)}$ , $T_j = -40^\circ\text{C}$ to $150^\circ\text{C}$	-2	$\pm 0.8$	2	%
<b>Total Output Error Components<sup>3</sup> <math>E_{TOT} = E_{SENS} + 100 \times V_{OE} / (\text{Sens} \times I_P)</math></b>						
Sensitivity Error	$E_{sens}$	$I_P = I_{PR(max)}$ , $T_j = -40^\circ\text{C}$ to $150^\circ\text{C}$	-1.5	$\pm 0.6$	1.5	%
Offset Voltage	$V_{OE}$	$I_P = 0$ A, $T_j = -40^\circ\text{C}$ to $150^\circ\text{C}$	-10	$\pm 5$	10	mV
<b>Lifetime Drift Characteristics</b>						
Sensitivity Error Lifetime Drift	$E_{sens\_drift}$			$\pm 1$		%
Total Output Error Lifetime Drift	$E_{tot\_drift}$			$\pm 1$		%

<sup>1</sup> Typical values with +/- are 3 sigma values

<sup>2</sup> Percentage of  $I_P$ , with  $I_P = I_{PR(max)}$ .

<sup>3</sup> A single part will not have both the maximum/minimum sensitivity error and maximum/minimum offset voltage, as that would violate the maximum/minimum total output error specification. Also, 3 sigma distribution values are combined by taking the square root of the sum of the squares. See Application Information section.

**CH70130CU5\* Performance Characteristics: T<sub>A</sub> Range L, valid at T<sub>j</sub> = -40°C to 150°C, unless otherwise specified**

Characteristic	Symbol	Test Conditions	Min.	Typ. <sup>1</sup>	Max.	Unit
<b>Nominal Performance</b>						
Supply Voltage	V <sub>CC</sub>		4.5	–	5.5	V
Current-Sensing Range	I <sub>PR</sub>		0	–	30	A
Sensitivity	Sens	I <sub>PR(min)</sub> < I <sub>P</sub> < I <sub>PR(max)</sub>	–	88	–	mV/A
Zero-Current Output Voltage	V <sub>IOUT(Q)</sub>	Unidirectional, I <sub>P</sub> = 0 A	–	0.33	–	V
<b>Accuracy Performance</b>						
Total Output Error <sup>2</sup>	E <sub>TOT</sub>	I <sub>P</sub> = I <sub>PR(max)</sub> , T <sub>j</sub> = -40°C to 150°C	-2	±0.7	2	%
<b>Total Output Error Components<sup>3</sup> E<sub>TOT</sub> = E<sub>SENS</sub> + 100 × V<sub>OE</sub>/(Sens × I<sub>P</sub>)</b>						
Sensitivity Error	E <sub>sens</sub>	I <sub>P</sub> = I <sub>PR(max)</sub> , T <sub>j</sub> = -40°C to 150°C	-1.5	±0.7	1.5	%
Offset Voltage	V <sub>OE</sub>	I <sub>P</sub> = 0 A, T <sub>j</sub> = -40°C to 150°C	-10	±6	10	mV
<b>Lifetime Drift Characteristics</b>						
Sensitivity Error Lifetime Drift	E <sub>sens_drift</sub>			±1		%
Total Output Error Lifetime Drift	E <sub>tot_drift</sub>			±1		%

<sup>1</sup> Typical values with +/- are 3 sigma values

<sup>2</sup> Percentage of I<sub>P</sub>, with I<sub>P</sub> = I<sub>PR(max)</sub>.

<sup>3</sup> A single part will not have both the maximum/minimum sensitivity error and maximum/minimum offset voltage, as that would violate the maximum/minimum total output error specification. Also, 3 sigma distribution values are combined by taking the square root of the sum of the squares. See Application Information section.

**CH70130CU3\* Performance Characteristics:  $T_A$  Range L, valid at  $T_j = -40^\circ\text{C}$  to  $150^\circ\text{C}$ , unless otherwise specified**

Characteristic	Symbol	Test Conditions	Min.	Typ. <sup>1</sup>	Max.	Unit
<b>Nominal Performance</b>						
Supply Voltage	$V_{CC}$		3	–	3.6	V
Current-Sensing Range	$I_{PR}$		0	–	30	A
Sensitivity	Sens	$I_{PR(\min)} < I_P < I_{PR(\max)}$	–	88	–	mV/A
Zero-Current Output Voltage	$V_{IOUT(Q)}$	Unidirectional, $I_P = 0$ A	–	0.33	–	V
<b>Accuracy Performance</b>						
Total Output Error <sup>2</sup>	$E_{TOT}$	$I_P = I_{PR(\max)}$ , $T_j = -40^\circ\text{C}$ to $150^\circ\text{C}$	–2	$\pm 0.7$	2	%
<b>Total Output Error Components<sup>3</sup> <math>E_{TOT} = E_{SENS} + 100 \times V_{OE} / (\text{Sens} \times I_P)</math></b>						
Sensitivity Error	$E_{sens}$	$I_P = I_{PR(\max)}$ , $T_j = -40^\circ\text{C}$ to $150^\circ\text{C}$	–1.5	$\pm 0.7$	1.5	%
Offset Voltage	$V_{OE}$	$I_P = 0$ A, $T_j = -40^\circ\text{C}$ to $150^\circ\text{C}$	–10	$\pm 6$	10	mV
<b>Lifetime Drift Characteristics</b>						
Sensitivity Error Lifetime Drift	$E_{sens\_drift}$			$\pm 1$		%
Total Output Error Lifetime Drift	$E_{tot\_drift}$			$\pm 1$		%

<sup>1</sup> Typical values with +/- are 3 sigma values

<sup>2</sup> Percentage of  $I_P$ , with  $I_P = I_{PR(\max)}$ .

<sup>3</sup> A single part will not have both the maximum/minimum sensitivity error and maximum/minimum offset voltage, as that would violate the maximum/minimum total output error specification. Also, 3 sigma distribution values are combined by taking the square root of the sum of the squares. See Application Information section.

**CH70130CB5\* Performance Characteristics: T<sub>A</sub> Range L, valid at T<sub>j</sub> = -40°C to 150°C, unless otherwise specified**

Characteristic	Symbol	Test Conditions	Min.	Typ. <sup>1</sup>	Max.	Unit
<b>Nominal Performance</b>						
Supply Voltage	V <sub>CC</sub>		4.5	–	5.5	V
Current-Sensing Range	I <sub>PR</sub>		-30	–	30	A
Sensitivity	Sens	I <sub>PR(min)</sub> < I <sub>P</sub> < I <sub>PR(max)</sub>	–	44	–	mV/A
Zero-Current Output Voltage	V <sub>IOUT(Q)</sub>	Bidirectional, I <sub>P</sub> = 0 A	–	1.65	–	V
<b>Accuracy Performance</b>						
Total Output Error <sup>2</sup>	E <sub>TOT</sub>	I <sub>P</sub> = I <sub>PR(max)</sub> , T <sub>j</sub> = -40°C to 150°C	-2	±0.8	2	%
<b>Total Output Error Components<sup>3</sup> E<sub>TOT</sub> = E<sub>SENS</sub> + 100 × V<sub>OE</sub>/(Sens × I<sub>P</sub>)</b>						
Sensitivity Error	E <sub>sens</sub>	I <sub>P</sub> = I <sub>PR(max)</sub> , T <sub>j</sub> = -40°C to 150°C	-1.5	±0.6	1.5	%
Offset Voltage	V <sub>OE</sub>	I <sub>P</sub> = 0 A, T <sub>j</sub> = -40°C to 150°C	-10	±5	10	mV
<b>Lifetime Drift Characteristics</b>						
Sensitivity Error Lifetime Drift	E <sub>sens_drift</sub>			±1		%
Total Output Error Lifetime Drift	E <sub>tot_drift</sub>			±1		%

<sup>1</sup> Typical values with +/- are 3 sigma values

<sup>2</sup> Percentage of I<sub>P</sub>, with I<sub>P</sub> = I<sub>PR(max)</sub>.

<sup>3</sup> A single part will not have both the maximum/minimum sensitivity error and maximum/minimum offset voltage, as that would violate the maximum/minimum total output error specification. Also, 3 sigma distribution values are combined by taking the square root of the sum of the squares. See Application Information section.

**CH70130CB3\* Performance Characteristics:  $T_A$  Range L, valid at  $T_j = -40^\circ\text{C}$  to  $150^\circ\text{C}$ , unless otherwise specified**

Characteristic	Symbol	Test Conditions	Min.	Typ. <sup>1</sup>	Max.	Unit
<b>Nominal Performance</b>						
Supply Voltage	$V_{CC}$		3	–	3.6	V
Current-Sensing Range	$I_{PR}$		-30	–	30	A
Sensitivity	Sens	$I_{PR(min)} < I_P < I_{PR(max)}$	–	44	–	mV/A
Zero-Current Output Voltage	$V_{IOUT(Q)}$	Bidirectional, $I_P = 0$ A	–	1.65	–	V
<b>Accuracy Performance</b>						
Total Output Error <sup>2</sup>	$E_{TOT}$	$I_P = I_{PR(max)}$ , $T_j = -40^\circ\text{C}$ to $150^\circ\text{C}$	-2	$\pm 0.8$	2	%
<b>Total Output Error Components<sup>3</sup> <math>E_{TOT} = E_{SENS} + 100 \times V_{OE} / (\text{Sens} \times I_P)</math></b>						
Sensitivity Error	$E_{sens}$	$I_P = I_{PR(max)}$ , $T_j = -40^\circ\text{C}$ to $150^\circ\text{C}$	-1.5	$\pm 0.6$	1.5	%
Offset Voltage	$V_{OE}$	$I_P = 0$ A, $T_j = -40^\circ\text{C}$ to $150^\circ\text{C}$	-10	$\pm 5$	10	mV
<b>Lifetime Drift Characteristics</b>						
Sensitivity Error Lifetime Drift	$E_{sens\_drift}$			$\pm 1$		%
Total Output Error Lifetime Drift	$E_{tot\_drift}$			$\pm 1$		%

<sup>1</sup> Typical values with +/- are 3 sigma values

<sup>2</sup> Percentage of  $I_P$ , with  $I_P = I_{PR(max)}$ .

<sup>3</sup> A single part will not have both the maximum/minimum sensitivity error and maximum/minimum offset voltage, as that would violate the maximum/minimum total output error specification. Also, 3 sigma distribution values are combined by taking the square root of the sum of the squares. See Application Information section.

**CH70140AU5\* Performance Characteristics: T<sub>A</sub> Range L, valid at T<sub>j</sub> = -40°C to 150°C, unless otherwise specified**

Characteristic	Symbol	Test Conditions	Min.	Typ. <sup>1</sup>	Max.	Unit
<b>Nominal Performance</b>						
Supply Voltage	V <sub>CC</sub>		4.5	–	5.5	V
Current-Sensing Range	I <sub>PR</sub>		0	–	40	A
Sensitivity	Sens	I <sub>PR(min)</sub> < I <sub>P</sub> < I <sub>PR(max)</sub> , VCC = 5V	–	100	–	mV/A
Zero-Current Output Voltage	V <sub>IOUT(Q)</sub>	Unidirectional, I <sub>P</sub> = 0 A, VCC = 5V	–	V <sub>CC</sub> × 0.1	–	V
<b>Accuracy Performance</b>						
Total Output Error <sup>2</sup>	E <sub>TOT</sub>	I <sub>P</sub> = I <sub>PR(max)</sub> , T <sub>j</sub> = -40°C to 150°C	-2	±0.7	2	%
<b>Total Output Error Components<sup>3</sup> E<sub>TOT</sub> = E<sub>SENS</sub> + 100 × V<sub>OE</sub>/(Sens × I<sub>P</sub>)</b>						
Sensitivity Error	E <sub>sens</sub>	I <sub>P</sub> = I <sub>PR(max)</sub> , T <sub>j</sub> = -40°C to 150°C	-1.5	±0.7	1.5	%
Offset Voltage	V <sub>OE</sub>	I <sub>P</sub> = 0 A, T <sub>j</sub> = -40°C to 150°C	-10	±6	10	mV
<b>Lifetime Drift Characteristics</b>						
Sensitivity Error Lifetime Drift	E <sub>sens_drift</sub>			±1		%
Total Output Error Lifetime Drift	E <sub>tot_drift</sub>			±1		%

<sup>1</sup> Typical values with +/- are 3 sigma values

<sup>2</sup> Percentage of I<sub>P</sub>, with I<sub>P</sub> = I<sub>PR(max)</sub>.

<sup>3</sup> A single part will not have both the maximum/minimum sensitivity error and maximum/minimum offset voltage, as that would violate the maximum/minimum total output error specification. Also, 3 sigma distribution values are combined by taking the square root of the sum of the squares. See Application Information section.

**CH70140AU3\* Performance Characteristics: T<sub>A</sub> Range L, valid at T<sub>j</sub> = -40°C to 150°C, unless otherwise specified**

Characteristic	Symbol	Test Conditions	Min.	Typ. <sup>1</sup>	Max.	Unit
<b>Nominal Performance</b>						
Supply Voltage	V <sub>CC</sub>		3	–	3.6	V
Current-Sensing Range	I <sub>PR</sub>		0	–	40	A
Sensitivity	Sens	I <sub>PR(min)</sub> < I <sub>P</sub> < I <sub>PR(max)</sub> , VCC = 3.3V	–	66	–	mV/A
Zero-Current Output Voltage	V <sub>IOUT(Q)</sub>	Unidirectional, I <sub>P</sub> = 0 A, VCC = 3.3V	–	0.45	–	V
<b>Accuracy Performance</b>						
Total Output Error <sup>2</sup>	E <sub>TOT</sub>	I <sub>P</sub> = I <sub>PR(max)</sub> , T <sub>j</sub> = -40°C to 150°C	-2	±0.7	2	%
<b>Total Output Error Components<sup>3</sup> E<sub>TOT</sub> = E<sub>SENS</sub> + 100 × V<sub>OE</sub>/(Sens × I<sub>P</sub>)</b>						
Sensitivity Error	E <sub>sens</sub>	I <sub>P</sub> = I <sub>PR(max)</sub> , T <sub>j</sub> = -40°C to 150°C	-1.5	±0.7	1.5	%
Offset Voltage	V <sub>OE</sub>	I <sub>P</sub> = 0 A, T <sub>j</sub> = -40°C to 150°C	-10	±6	10	mV
<b>Lifetime Drift Characteristics</b>						
Sensitivity Error Lifetime Drift	E <sub>sens_drift</sub>			±1		%
Total Output Error Lifetime Drift	E <sub>tot_drift</sub>			±1		%

<sup>1</sup> Typical values with +/- are 3 sigma values

<sup>2</sup> Percentage of I<sub>P</sub>, with I<sub>P</sub> = I<sub>PR(max)</sub>.

<sup>3</sup> A single part will not have both the maximum/minimum sensitivity error and maximum/minimum offset voltage, as that would violate the maximum/minimum total output error specification. Also, 3 sigma distribution values are combined by taking the square root of the sum of the squares. See Application Information section.

**CH70140AB5\* Performance Characteristics: T<sub>A</sub> Range L, valid at T<sub>j</sub> = -40°C to 150°C, unless otherwise specified**

Characteristic	Symbol	Test Conditions	Min.	Typ. <sup>1</sup>	Max.	Unit
<b>Nominal Performance</b>						
Supply Voltage	V <sub>CC</sub>		4.5	–	5.5	V
Current-Sensing Range	I <sub>PR</sub>		-40	–	40	A
Sensitivity	Sens	I <sub>PR(min)</sub> < I <sub>P</sub> < I <sub>PR(max)</sub> , VCC = 5V	–	50	–	mV/A
Zero-Current Output Voltage	V <sub>IOUT(Q)</sub>	Bidirectional, I <sub>P</sub> = 0 A, VCC = 5V	–	V <sub>CC</sub> × 0.5	–	V
<b>Accuracy Performance</b>						
Total Output Error <sup>2</sup>	E <sub>TOT</sub>	I <sub>P</sub> = I <sub>PR(max)</sub> , T <sub>j</sub> = -40°C to 150°C	-2	±0.8	2	%
<b>Total Output Error Components<sup>3</sup> E<sub>TOT</sub> = E<sub>SENS</sub> + 100 × V<sub>OE</sub>/(Sens × I<sub>P</sub>)</b>						
Sensitivity Error	E <sub>sens</sub>	I <sub>P</sub> = I <sub>PR(max)</sub> , T <sub>j</sub> = -40°C to 150°C	-1.5	±0.6	1.5	%
Offset Voltage	V <sub>OE</sub>	I <sub>P</sub> = 0 A, T <sub>j</sub> = -40°C to 150°C	-10	±5	10	mV
<b>Lifetime Drift Characteristics</b>						
Sensitivity Error Lifetime Drift	E <sub>sens_drift</sub>			±1		%
Total Output Error Lifetime Drift	E <sub>tot_drift</sub>			±1		%

<sup>1</sup> Typical values with +/- are 3 sigma values

<sup>2</sup> Percentage of I<sub>P</sub>, with I<sub>P</sub> = I<sub>PR(max)</sub>.

<sup>3</sup> A single part will not have both the maximum/minimum sensitivity error and maximum/minimum offset voltage, as that would violate the maximum/minimum total output error specification. Also, 3 sigma distribution values are combined by taking the square root of the sum of the squares. See Application Information section.



**CH70140AB3\* Performance Characteristics:  $T_A$  Range L, valid at  $T_j = -40^\circ\text{C}$  to  $150^\circ\text{C}$ , unless otherwise specified**

Characteristic	Symbol	Test Conditions	Min.	Typ. <sup>1</sup>	Max.	Unit
<b>Nominal Performance</b>						
Supply Voltage	$V_{CC}$		3	–	3.6	V
Current-Sensing Range	$I_{PR}$		-40	–	40	A
Sensitivity	Sens	$I_{PR(\min)} < I_P < I_{PR(\max)}$ , $V_{CC} = 3.3\text{V}$	–	33	–	mV/A
Zero-Current Output Voltage	$V_{IOUT(Q)}$	Bidirectional, $I_P = 0\text{ A}$ , $V_{CC} = 3.3\text{V}$	–	$V_{CC} \times 0.5$	–	V
<b>Accuracy Performance</b>						
Total Output Error <sup>2</sup>	$E_{TOT}$	$I_P = I_{PR(\max)}$ , $T_j = -40^\circ\text{C}$ to $150^\circ\text{C}$	-2	$\pm 0.8$	2	%
<b>Total Output Error Components<sup>3</sup> <math>E_{TOT} = E_{SENS} + 100 \times V_{OE} / (\text{Sens} \times I_P)</math></b>						
Sensitivity Error	$E_{sens}$	$I_P = I_{PR(\max)}$ , $T_j = -40^\circ\text{C}$ to $150^\circ\text{C}$	-1.5	$\pm 0.6$	1.5	%
Offset Voltage	$V_{OE}$	$I_P = 0\text{ A}$ , $T_j = -40^\circ\text{C}$ to $150^\circ\text{C}$	-10	$\pm 5$	10	mV
<b>Lifetime Drift Characteristics</b>						
Sensitivity Error Lifetime Drift	$E_{sens\_drift}$			$\pm 1$		%
Total Output Error Lifetime Drift	$E_{tot\_drift}$			$\pm 1$		%

<sup>1</sup> Typical values with +/- are 3 sigma values

<sup>2</sup> Percentage of  $I_P$ , with  $I_P = I_{PR(\max)}$ .

<sup>3</sup> A single part will not have both the maximum/minimum sensitivity error and maximum/minimum offset voltage, as that would violate the maximum/minimum total output error specification. Also, 3 sigma distribution values are combined by taking the square root of the sum of the squares. See Application Information section.

**CH70140BU5\* Performance Characteristics:  $T_A$  Range L, valid at  $T_j = -40^\circ\text{C}$  to  $150^\circ\text{C}$ , unless otherwise specified**

Characteristic	Symbol	Test Conditions	Min.	Typ. <sup>1</sup>	Max.	Unit
<b>Nominal Performance</b>						
Supply Voltage	$V_{CC}$		4.5	–	5.5	V
Current-Sensing Range	$I_{PR}$		0	–	40	A
Sensitivity	Sens	$I_{PR(\min)} < I_P < I_{PR(\max)}$	–	100	–	mV/A
Zero-Current Output Voltage	$V_{IOUT(Q)}$	Unidirectional, $I_P = 0$ A	–	0.5	–	V
<b>Accuracy Performance</b>						
Total Output Error <sup>2</sup>	$E_{TOT}$	$I_P = I_{PR(\max)}$ , $T_j = -40^\circ\text{C}$ to $150^\circ\text{C}$	–2	$\pm 0.7$	2	%
<b>Total Output Error Components<sup>3</sup> <math>E_{TOT} = E_{SENS} + 100 \times V_{OE} / (\text{Sens} \times I_P)</math></b>						
Sensitivity Error	$E_{sens}$	$I_P = I_{PR(\max)}$ , $T_j = -40^\circ\text{C}$ to $150^\circ\text{C}$	–1.5	$\pm 0.7$	1.5	%
Offset Voltage	$V_{OE}$	$I_P = 0$ A, $T_j = -40^\circ\text{C}$ to $150^\circ\text{C}$	–10	$\pm 6$	10	mV
<b>Lifetime Drift Characteristics</b>						
Sensitivity Error Lifetime Drift	$E_{sens\_drift}$			$\pm 1$		%
Total Output Error Lifetime Drift	$E_{tot\_drift}$			$\pm 1$		%

<sup>1</sup> Typical values with +/- are 3 sigma values

<sup>2</sup> Percentage of  $I_P$ , with  $I_P = I_{PR(\max)}$ .

<sup>3</sup> A single part will not have both the maximum/minimum sensitivity error and maximum/minimum offset voltage, as that would violate the maximum/minimum total output error specification. Also, 3 sigma distribution values are combined by taking the square root of the sum of the squares. See Application Information section.

**CH70140BB5\* Performance Characteristics:  $T_A$  Range L, valid at  $T_j = -40^\circ\text{C}$  to  $150^\circ\text{C}$ , unless otherwise specified**

Characteristic	Symbol	Test Conditions	Min.	Typ. <sup>1</sup>	Max.	Unit
<b>Nominal Performance</b>						
Supply Voltage	$V_{CC}$		4.5	–	5.5	V
Current-Sensing Range	$I_{PR}$		-40	–	40	A
Sensitivity	Sens	$I_{PR(\min)} < I_P < I_{PR(\max)}$	–	50	–	mV/A
Zero-Current Output Voltage	$V_{IOUT(Q)}$	Bidirectional, $I_P = 0$ A	–	2.5	–	V
<b>Accuracy Performance</b>						
Total Output Error <sup>2</sup>	$E_{TOT}$	$I_P = I_{PR(\max)}$ , $T_j = -40^\circ\text{C}$ to $150^\circ\text{C}$	-2	$\pm 0.8$	2	%
<b>Total Output Error Components<sup>3</sup> <math>E_{TOT} = E_{SENS} + 100 \times V_{OE} / (\text{Sens} \times I_P)</math></b>						
Sensitivity Error	$E_{sens}$	$I_P = I_{PR(\max)}$ , $T_j = -40^\circ\text{C}$ to $150^\circ\text{C}$	-1.5	$\pm 0.6$	1.5	%
Offset Voltage	$V_{OE}$	$I_P = 0$ A, $T_j = -40^\circ\text{C}$ to $150^\circ\text{C}$	-10	$\pm 5$	10	mV
<b>Lifetime Drift Characteristics</b>						
Sensitivity Error Lifetime Drift	$E_{sens\_drift}$			$\pm 1$		%
Total Output Error Lifetime Drift	$E_{tot\_drift}$			$\pm 1$		%

<sup>1</sup> Typical values with +/- are 3 sigma values

<sup>2</sup> Percentage of  $I_P$ , with  $I_P = I_{PR(\max)}$ .

<sup>3</sup> A single part will not have both the maximum/minimum sensitivity error and maximum/minimum offset voltage, as that would violate the maximum/minimum total output error specification. Also, 3 sigma distribution values are combined by taking the square root of the sum of the squares. See Application Information section.

**CH70140CU5\* Performance Characteristics: T<sub>A</sub> Range L, valid at T<sub>j</sub> = -40°C to 150°C, unless otherwise specified**

Characteristic	Symbol	Test Conditions	Min.	Typ. <sup>1</sup>	Max.	Unit
<b>Nominal Performance</b>						
Supply Voltage	V <sub>CC</sub>		4.5	–	5.5	V
Current-Sensing Range	I <sub>PR</sub>		0	–	40	A
Sensitivity	Sens	I <sub>PR(min)</sub> < I <sub>P</sub> < I <sub>PR(max)</sub>	–	66	–	mV/A
Zero-Current Output Voltage	V <sub>IOUT(Q)</sub>	Unidirectional, I <sub>P</sub> = 0 A	–	0.33	–	V
<b>Accuracy Performance</b>						
Total Output Error <sup>2</sup>	E <sub>TOT</sub>	I <sub>P</sub> = I <sub>PR(max)</sub> , T <sub>j</sub> = -40°C to 150°C	-2	±0.7	2	%
<b>Total Output Error Components<sup>3</sup> E<sub>TOT</sub> = E<sub>SENS</sub> + 100 × V<sub>OE</sub>/(Sens × I<sub>P</sub>)</b>						
Sensitivity Error	E <sub>sens</sub>	I <sub>P</sub> = I <sub>PR(max)</sub> , T <sub>j</sub> = -40°C to 150°C	-1.5	±0.7	1.5	%
Offset Voltage	V <sub>OE</sub>	I <sub>P</sub> = 0 A, T <sub>j</sub> = -40°C to 150°C	-10	±6	10	mV
<b>Lifetime Drift Characteristics</b>						
Sensitivity Error Lifetime Drift	E <sub>sens_drift</sub>			±1		%
Total Output Error Lifetime Drift	E <sub>tot_drift</sub>			±1		%

<sup>1</sup> Typical values with +/- are 3 sigma values

<sup>2</sup> Percentage of I<sub>P</sub>, with I<sub>P</sub> = I<sub>PR(max)</sub>.

<sup>3</sup> A single part will not have both the maximum/minimum sensitivity error and maximum/minimum offset voltage, as that would violate the maximum/minimum total output error specification. Also, 3 sigma distribution values are combined by taking the square root of the sum of the squares. See Application Information section.

**CH70140CU3\* Performance Characteristics: T<sub>A</sub> Range L, valid at T<sub>j</sub> = -40°C to 150°C, unless otherwise specified**

Characteristic	Symbol	Test Conditions	Min.	Typ. <sup>1</sup>	Max.	Unit
<b>Nominal Performance</b>						
Supply Voltage	V <sub>CC</sub>		3	–	3.6	V
Current-Sensing Range	I <sub>PR</sub>		0	–	40	A
Sensitivity	Sens	I <sub>PR(min)</sub> < I <sub>P</sub> < I <sub>PR(max)</sub>	–	66	–	mV/A
Zero-Current Output Voltage	V <sub>IOUT(Q)</sub>	Unidirectional, I <sub>P</sub> = 0 A	–	0.33	–	V
<b>Accuracy Performance</b>						
Total Output Error <sup>2</sup>	E <sub>TOT</sub>	I <sub>P</sub> = I <sub>PR(max)</sub> , T <sub>j</sub> = -40°C to 150°C	-2	±0.7	2	%
<b>Total Output Error Components<sup>3</sup> E<sub>TOT</sub> = E<sub>SENS</sub> + 100 × V<sub>OE</sub>/(Sens × I<sub>P</sub>)</b>						
Sensitivity Error	E <sub>sens</sub>	I <sub>P</sub> = I <sub>PR(max)</sub> , T <sub>j</sub> = -40°C to 150°C	-1.5	±0.7	1.5	%
Offset Voltage	V <sub>OE</sub>	I <sub>P</sub> = 0 A, T <sub>j</sub> = -40°C to 150°C	-10	±6	10	mV
<b>Lifetime Drift Characteristics</b>						
Sensitivity Error Lifetime Drift	E <sub>sens_drift</sub>			±1		%
Total Output Error Lifetime Drift	E <sub>tot_drift</sub>			±1		%

<sup>1</sup> Typical values with +/- are 3 sigma values

<sup>2</sup> Percentage of I<sub>P</sub>, with I<sub>P</sub> = I<sub>PR(max)</sub>.

<sup>3</sup> A single part will not have both the maximum/minimum sensitivity error and maximum/minimum offset voltage, as that would violate the maximum/minimum total output error specification. Also, 3 sigma distribution values are combined by taking the square root of the sum of the squares. See Application Information section.

**CH70140CB5\* Performance Characteristics:  $T_A$  Range L, valid at  $T_j = -40^\circ\text{C}$  to  $150^\circ\text{C}$ , unless otherwise specified**

Characteristic	Symbol	Test Conditions	Min.	Typ. <sup>1</sup>	Max.	Unit
<b>Nominal Performance</b>						
Supply Voltage	$V_{CC}$		4.5	–	5.5	V
Current-Sensing Range	$I_{PR}$		-40	–	40	A
Sensitivity	Sens	$I_{PR(min)} < I_P < I_{PR(max)}$	–	33	–	mV/A
Zero-Current Output Voltage	$V_{IOUT(Q)}$	Bidirectional, $I_P = 0$ A	–	1.65	–	V
<b>Accuracy Performance</b>						
Total Output Error <sup>2</sup>	$E_{TOT}$	$I_P = I_{PR(max)}$ , $T_j = -40^\circ\text{C}$ to $150^\circ\text{C}$	-2	$\pm 0.8$	2	%
<b>Total Output Error Components<sup>3</sup> <math>E_{TOT} = E_{SENS} + 100 \times V_{OE} / (\text{Sens} \times I_P)</math></b>						
Sensitivity Error	$E_{sens}$	$I_P = I_{PR(max)}$ , $T_j = -40^\circ\text{C}$ to $150^\circ\text{C}$	-1.5	$\pm 0.6$	1.5	%
Offset Voltage	$V_{OE}$	$I_P = 0$ A, $T_j = -40^\circ\text{C}$ to $150^\circ\text{C}$	-10	$\pm 5$	10	mV
<b>Lifetime Drift Characteristics</b>						
Sensitivity Error Lifetime Drift	$E_{sens\_drift}$			$\pm 1$		%
Total Output Error Lifetime Drift	$E_{tot\_drift}$			$\pm 1$		%

<sup>1</sup> Typical values with +/- are 3 sigma values

<sup>2</sup> Percentage of  $I_P$ , with  $I_P = I_{PR(max)}$ .

<sup>3</sup> A single part will not have both the maximum/minimum sensitivity error and maximum/minimum offset voltage, as that would violate the maximum/minimum total output error specification. Also, 3 sigma distribution values are combined by taking the square root of the sum of the squares. See Application Information section.

**CH70140CB3\* Performance Characteristics: T<sub>A</sub> Range L, valid at T<sub>j</sub> = -40°C to 150°C, unless otherwise specified**

Characteristic	Symbol	Test Conditions	Min.	Typ. <sup>1</sup>	Max.	Unit
<b>Nominal Performance</b>						
Supply Voltage	V <sub>CC</sub>		3	–	3.6	V
Current-Sensing Range	I <sub>PR</sub>		-40	–	40	A
Sensitivity	Sens	I <sub>PR(min)</sub> < I <sub>P</sub> < I <sub>PR(max)</sub>	–	33	–	mV/A
Zero-Current Output Voltage	V <sub>IOUT(Q)</sub>	Bidirectional, I <sub>P</sub> = 0 A	–	1.65	–	V
<b>Accuracy Performance</b>						
Total Output Error <sup>2</sup>	E <sub>TOT</sub>	I <sub>P</sub> = I <sub>PR(max)</sub> , T <sub>j</sub> = -40°C to 150°C	-2	±0.8	2	%
<b>Total Output Error Components<sup>3</sup> E<sub>TOT</sub> = E<sub>SENS</sub> + 100 × V<sub>OE</sub>/(Sens × I<sub>P</sub>)</b>						
Sensitivity Error	E <sub>sens</sub>	I <sub>P</sub> = I <sub>PR(max)</sub> , T <sub>j</sub> = -40°C to 150°C	-1.5	±0.6	1.5	%
Offset Voltage	V <sub>OE</sub>	I <sub>P</sub> = 0 A, T <sub>j</sub> = -40°C to 150°C	-10	±5	10	mV
<b>Lifetime Drift Characteristics</b>						
Sensitivity Error Lifetime Drift	E <sub>sens_drift</sub>			±1		%
Total Output Error Lifetime Drift	E <sub>tot_drift</sub>			±1		%

<sup>1</sup> Typical values with +/- are 3 sigma values

<sup>2</sup> Percentage of I<sub>P</sub>, with I<sub>P</sub> = I<sub>PR(max)</sub>.

<sup>3</sup> A single part will not have both the maximum/minimum sensitivity error and maximum/minimum offset voltage, as that would violate the maximum/minimum total output error specification. Also, 3 sigma distribution values are combined by taking the square root of the sum of the squares. See Application Information section.

**CH70150AU5\* Performance Characteristics: T<sub>A</sub> Range L, valid at T<sub>j</sub> = -40°C to 150°C, unless otherwise specified**

Characteristic	Symbol	Test Conditions	Min.	Typ. <sup>1</sup>	Max.	Unit
<b>Nominal Performance</b>						
Supply Voltage	V <sub>CC</sub>		4.5	–	5.5	V
Current-Sensing Range	I <sub>PR</sub>		0	–	50	A
Sensitivity	Sens	I <sub>PR(min)</sub> < I <sub>P</sub> < I <sub>PR(max)</sub> , VCC = 5V	–	80	–	mV/A
Zero-Current Output Voltage	V <sub>IOUT(Q)</sub>	Unidirectional, I <sub>P</sub> = 0 A, VCC = 5V	–	V <sub>CC</sub> × 0.1	–	V
<b>Accuracy Performance</b>						
Total Output Error <sup>2</sup>	E <sub>TOT</sub>	I <sub>P</sub> = I <sub>PR(max)</sub> , T <sub>j</sub> = -40°C to 150°C	-2	±0.7	2	%
<b>Total Output Error Components<sup>3</sup> E<sub>TOT</sub> = E<sub>SENS</sub> + 100 × V<sub>OE</sub>/(Sens × I<sub>P</sub>)</b>						
Sensitivity Error	E <sub>sens</sub>	I <sub>P</sub> = I <sub>PR(max)</sub> , T <sub>j</sub> = -40°C to 150°C	-1.5	±0.7	1.5	%
Offset Voltage	V <sub>OE</sub>	I <sub>P</sub> = 0 A, T <sub>j</sub> = -40°C to 150°C	-10	±6	10	mV
<b>Lifetime Drift Characteristics</b>						
Sensitivity Error Lifetime Drift	E <sub>sens_drift</sub>			±1		%
Total Output Error Lifetime Drift	E <sub>tot_drift</sub>			±1		%

<sup>1</sup> Typical values with +/- are 3 sigma values

<sup>2</sup> Percentage of I<sub>P</sub>, with I<sub>P</sub> = I<sub>PR(max)</sub>.

<sup>3</sup> A single part will not have both the maximum/minimum sensitivity error and maximum/minimum offset voltage, as that would violate the maximum/minimum total output error specification. Also, 3 sigma distribution values are combined by taking the square root of the sum of the squares. See Application Information section.



**CH70150AU3\* Performance Characteristics:  $T_A$  Range L, valid at  $T_j = -40^\circ\text{C}$  to  $150^\circ\text{C}$ , unless otherwise specified**

Characteristic	Symbol	Test Conditions	Min.	Typ. <sup>1</sup>	Max.	Unit
<b>Nominal Performance</b>						
Supply Voltage	$V_{CC}$		3	–	3.6	V
Current-Sensing Range	$I_{PR}$		0	–	50	A
Sensitivity	Sens	$I_{PR(\min)} < I_P < I_{PR(\max)}$ , $V_{CC} = 3.3\text{V}$	–	52	–	mV/A
Zero-Current Output Voltage	$V_{IOUT(Q)}$	Unidirectional, $I_P = 0\text{ A}$ , $V_{CC} = 3.3\text{V}$	–	0.45	–	V
<b>Accuracy Performance</b>						
Total Output Error <sup>2</sup>	$E_{TOT}$	$I_P = I_{PR(\max)}$ , $T_j = -40^\circ\text{C}$ to $150^\circ\text{C}$	–2	$\pm 0.7$	2	%
<b>Total Output Error Components<sup>3</sup> <math>E_{TOT} = E_{SENS} + 100 \times V_{OE}/(\text{Sens} \times I_P)</math></b>						
Sensitivity Error	$E_{sens}$	$I_P = I_{PR(\max)}$ , $T_j = -40^\circ\text{C}$ to $150^\circ\text{C}$	–1.5	$\pm 0.7$	1.5	%
Offset Voltage	$V_{OE}$	$I_P = 0\text{ A}$ , $T_j = -40^\circ\text{C}$ to $150^\circ\text{C}$	–10	$\pm 6$	10	mV
<b>Lifetime Drift Characteristics</b>						
Sensitivity Error Lifetime Drift	$E_{sens\_drift}$			$\pm 1$		%
Total Output Error Lifetime Drift	$E_{tot\_drift}$			$\pm 1$		%

<sup>1</sup> Typical values with +/- are 3 sigma values

<sup>2</sup> Percentage of  $I_P$ , with  $I_P = I_{PR(\max)}$ .

<sup>3</sup> A single part will not have both the maximum/minimum sensitivity error and maximum/minimum offset voltage, as that would violate the maximum/minimum total output error specification. Also, 3 sigma distribution values are combined by taking the square root of the sum of the squares. See Application Information section.

**CH70150AB5\* Performance Characteristics: T<sub>A</sub> Range L, valid at T<sub>j</sub> = -40°C to 150°C, unless otherwise specified**

Characteristic	Symbol	Test Conditions	Min.	Typ. <sup>1</sup>	Max.	Unit
<b>Nominal Performance</b>						
Supply Voltage	V <sub>CC</sub>		4.5	–	5.5	V
Current-Sensing Range	I <sub>PR</sub>		-50	–	50	A
Sensitivity	Sens	I <sub>PR(min)</sub> < I <sub>P</sub> < I <sub>PR(max)</sub> , VCC = 5V	–	40	–	mV/A
Zero-Current Output Voltage	V <sub>IOUT(Q)</sub>	Bidirectional, I <sub>P</sub> = 0 A, VCC = 5V	–	V <sub>CC</sub> × 0.5	–	V
<b>Accuracy Performance</b>						
Total Output Error <sup>2</sup>	E <sub>TOT</sub>	I <sub>P</sub> = I <sub>PR(max)</sub> , T <sub>j</sub> = -40°C to 150°C	-2	±0.8	2	%
<b>Total Output Error Components<sup>3</sup> E<sub>TOT</sub> = E<sub>SENS</sub> + 100 × V<sub>OE</sub>/(Sens × I<sub>P</sub>)</b>						
Sensitivity Error	E <sub>sens</sub>	I <sub>P</sub> = I <sub>PR(max)</sub> , T <sub>j</sub> = -40°C to 150°C	-1.5	±0.6	1.5	%
Offset Voltage	V <sub>OE</sub>	I <sub>P</sub> = 0 A, T <sub>j</sub> = -40°C to 150°C	-10	±5	10	mV
<b>Lifetime Drift Characteristics</b>						
Sensitivity Error Lifetime Drift	E <sub>sens_drift</sub>			±1		%
Total Output Error Lifetime Drift	E <sub>tot_drift</sub>			±1		%

<sup>1</sup> Typical values with +/- are 3 sigma values

<sup>2</sup> Percentage of I<sub>P</sub>, with I<sub>P</sub> = I<sub>PR(max)</sub>.

<sup>3</sup> A single part will not have both the maximum/minimum sensitivity error and maximum/minimum offset voltage, as that would violate the maximum/minimum total output error specification. Also, 3 sigma distribution values are combined by taking the square root of the sum of the squares. See Application Information section.

**CH70150AB3\* Performance Characteristics: T<sub>A</sub> Range L, valid at T<sub>j</sub> = -40°C to 150°C, unless otherwise specified**

Characteristic	Symbol	Test Conditions	Min.	Typ. <sup>1</sup>	Max.	Unit
<b>Nominal Performance</b>						
Supply Voltage	V <sub>CC</sub>		3	–	3.6	V
Current-Sensing Range	I <sub>PR</sub>		-50	–	50	A
Sensitivity	Sens	I <sub>PR(min)</sub> < I <sub>P</sub> < I <sub>PR(max)</sub> , V <sub>CC</sub> = 3.3V	–	26	–	mV/A
Zero-Current Output Voltage	V <sub>IOUT(Q)</sub>	Bidirectional, I <sub>P</sub> = 0 A, V <sub>CC</sub> = 3.3V	–	V <sub>CC</sub> × 0.5	–	V
<b>Accuracy Performance</b>						
Total Output Error <sup>2</sup>	E <sub>TOT</sub>	I <sub>P</sub> = I <sub>PR(max)</sub> , T <sub>j</sub> = -40°C to 150°C	-2	±0.8	2	%
<b>Total Output Error Components<sup>3</sup> E<sub>TOT</sub> = E<sub>SENS</sub> + 100 × V<sub>OE</sub>/(Sens × I<sub>P</sub>)</b>						
Sensitivity Error	E <sub>sens</sub>	I <sub>P</sub> = I <sub>PR(max)</sub> , T <sub>j</sub> = -40°C to 150°C	-1.5	±0.6	1.5	%
Offset Voltage	V <sub>OE</sub>	I <sub>P</sub> = 0 A, T <sub>j</sub> = -40°C to 150°C	-10	±5	10	mV
<b>Lifetime Drift Characteristics</b>						
Sensitivity Error Lifetime Drift	E <sub>sens_drift</sub>			±1		%
Total Output Error Lifetime Drift	E <sub>tot_drift</sub>			±1		%

<sup>1</sup> Typical values with +/- are 3 sigma values

<sup>2</sup> Percentage of I<sub>P</sub>, with I<sub>P</sub> = I<sub>PR(max)</sub>.

<sup>3</sup> A single part will not have both the maximum/minimum sensitivity error and maximum/minimum offset voltage, as that would violate the maximum/minimum total output error specification. Also, 3 sigma distribution values are combined by taking the square root of the sum of the squares. See Application Information section.

**CH70150BU5\* Performance Characteristics:  $T_A$  Range L, valid at  $T_j = -40^\circ\text{C}$  to  $150^\circ\text{C}$ , unless otherwise specified**

Characteristic	Symbol	Test Conditions	Min.	Typ. <sup>1</sup>	Max.	Unit
<b>Nominal Performance</b>						
Supply Voltage	$V_{CC}$		4.5	–	5.5	V
Current-Sensing Range	$I_{PR}$		0	–	50	A
Sensitivity	Sens	$I_{PR(\min)} < I_P < I_{PR(\max)}$	–	80	–	mV/A
Zero-Current Output Voltage	$V_{IOUT(Q)}$	Unidirectional, $I_P = 0$ A	–	0.5	–	V
<b>Accuracy Performance</b>						
Total Output Error <sup>2</sup>	$E_{TOT}$	$I_P = I_{PR(\max)}$ , $T_j = -40^\circ\text{C}$ to $150^\circ\text{C}$	–2	$\pm 0.7$	2	%
<b>Total Output Error Components<sup>3</sup> <math>E_{TOT} = E_{SENS} + 100 \times V_{OE} / (\text{Sens} \times I_P)</math></b>						
Sensitivity Error	$E_{sens}$	$I_P = I_{PR(\max)}$ , $T_j = -40^\circ\text{C}$ to $150^\circ\text{C}$	–1.5	$\pm 0.7$	1.5	%
Offset Voltage	$V_{OE}$	$I_P = 0$ A, $T_j = -40^\circ\text{C}$ to $150^\circ\text{C}$	–10	$\pm 6$	10	mV
<b>Lifetime Drift Characteristics</b>						
Sensitivity Error Lifetime Drift	$E_{sens\_drift}$			$\pm 1$		%
Total Output Error Lifetime Drift	$E_{tot\_drift}$			$\pm 1$		%

<sup>1</sup> Typical values with +/- are 3 sigma values

<sup>2</sup> Percentage of  $I_P$ , with  $I_P = I_{PR(\max)}$ .

<sup>3</sup> A single part will not have both the maximum/minimum sensitivity error and maximum/minimum offset voltage, as that would violate the maximum/minimum total output error specification. Also, 3 sigma distribution values are combined by taking the square root of the sum of the squares. See Application Information section.

**CH70150BB5\* Performance Characteristics:  $T_A$  Range L, valid at  $T_j = -40^\circ\text{C}$  to  $150^\circ\text{C}$ , unless otherwise specified**

Characteristic	Symbol	Test Conditions	Min.	Typ. <sup>1</sup>	Max.	Unit
<b>Nominal Performance</b>						
Supply Voltage	$V_{CC}$		4.5	–	5.5	V
Current-Sensing Range	$I_{PR}$		-50	–	50	A
Sensitivity	Sens	$I_{PR(\min)} < I_P < I_{PR(\max)}$	–	40	–	mV/A
Zero-Current Output Voltage	$V_{IOUT(Q)}$	Bidirectional, $I_P = 0$ A	–	2.5	–	V
<b>Accuracy Performance</b>						
Total Output Error <sup>2</sup>	$E_{TOT}$	$I_P = I_{PR(\max)}$ , $T_j = -40^\circ\text{C}$ to $150^\circ\text{C}$	-2	$\pm 0.8$	2	%
<b>Total Output Error Components<sup>3</sup> <math>E_{TOT} = E_{SENS} + 100 \times V_{OE} / (\text{Sens} \times I_P)</math></b>						
Sensitivity Error	$E_{sens}$	$I_P = I_{PR(\max)}$ , $T_j = -40^\circ\text{C}$ to $150^\circ\text{C}$	-1.5	$\pm 0.6$	1.5	%
Offset Voltage	$V_{OE}$	$I_P = 0$ A, $T_j = -40^\circ\text{C}$ to $150^\circ\text{C}$	-10	$\pm 5$	10	mV
<b>Lifetime Drift Characteristics</b>						
Sensitivity Error Lifetime Drift	$E_{sens\_drift}$			$\pm 1$		%
Total Output Error Lifetime Drift	$E_{tot\_drift}$			$\pm 1$		%

<sup>1</sup> Typical values with +/- are 3 sigma values

<sup>2</sup> Percentage of  $I_P$ , with  $I_P = I_{PR(\max)}$ .

<sup>3</sup> A single part will not have both the maximum/minimum sensitivity error and maximum/minimum offset voltage, as that would violate the maximum/minimum total output error specification. Also, 3 sigma distribution values are combined by taking the square root of the sum of the squares. See Application Information section.

**CH70150CU5\* Performance Characteristics:  $T_A$  Range L, valid at  $T_j = -40^\circ\text{C}$  to  $150^\circ\text{C}$ , unless otherwise specified**

Characteristic	Symbol	Test Conditions	Min.	Typ. <sup>1</sup>	Max.	Unit
<b>Nominal Performance</b>						
Supply Voltage	$V_{CC}$		4.5	–	5.5	V
Current-Sensing Range	$I_{PR}$		0	–	50	A
Sensitivity	Sens	$I_{PR(min)} < I_P < I_{PR(max)}$	–	52	–	mV/A
Zero-Current Output Voltage	$V_{IOUT(Q)}$	Unidirectional, $I_P = 0$ A	–	0.33	–	V
<b>Accuracy Performance</b>						
Total Output Error <sup>2</sup>	$E_{TOT}$	$I_P = I_{PR(max)}$ , $T_j = -40^\circ\text{C}$ to $150^\circ\text{C}$	–2	$\pm 0.7$	2	%
<b>Total Output Error Components<sup>3</sup> <math>E_{TOT} = E_{SENS} + 100 \times V_{OE} / (\text{Sens} \times I_P)</math></b>						
Sensitivity Error	$E_{sens}$	$I_P = I_{PR(max)}$ , $T_j = -40^\circ\text{C}$ to $150^\circ\text{C}$	–1.5	$\pm 0.7$	1.5	%
Offset Voltage	$V_{OE}$	$I_P = 0$ A, $T_j = -40^\circ\text{C}$ to $150^\circ\text{C}$	–10	$\pm 6$	10	mV
<b>Lifetime Drift Characteristics</b>						
Sensitivity Error Lifetime Drift	$E_{sens\_drift}$			$\pm 1$		%
Total Output Error Lifetime Drift	$E_{tot\_drift}$			$\pm 1$		%

<sup>1</sup> Typical values with +/- are 3 sigma values

<sup>2</sup> Percentage of  $I_P$ , with  $I_P = I_{PR(max)}$ .

<sup>3</sup> A single part will not have both the maximum/minimum sensitivity error and maximum/minimum offset voltage, as that would violate the maximum/minimum total output error specification. Also, 3 sigma distribution values are combined by taking the square root of the sum of the squares. See Application Information section.

**CH70150CU3\* Performance Characteristics:  $T_A$  Range L, valid at  $T_j = -40^\circ\text{C}$  to  $150^\circ\text{C}$ , unless otherwise specified**

Characteristic	Symbol	Test Conditions	Min.	Typ. <sup>1</sup>	Max.	Unit
<b>Nominal Performance</b>						
Supply Voltage	$V_{CC}$		3	–	3.6	V
Current-Sensing Range	$I_{PR}$		0	–	50	A
Sensitivity	Sens	$I_{PR(\min)} < I_P < I_{PR(\max)}$	–	52	–	mV/A
Zero-Current Output Voltage	$V_{IOUT(Q)}$	Unidirectional, $I_P = 0$ A	–	0.33	–	V
<b>Accuracy Performance</b>						
Total Output Error <sup>2</sup>	$E_{TOT}$	$I_P = I_{PR(\max)}$ , $T_j = -40^\circ\text{C}$ to $150^\circ\text{C}$	–2	$\pm 0.7$	2	%
<b>Total Output Error Components<sup>3</sup> <math>E_{TOT} = E_{SENS} + 100 \times V_{OE} / (\text{Sens} \times I_P)</math></b>						
Sensitivity Error	$E_{sens}$	$I_P = I_{PR(\max)}$ , $T_j = -40^\circ\text{C}$ to $150^\circ\text{C}$	–1.5	$\pm 0.7$	1.5	%
Offset Voltage	$V_{OE}$	$I_P = 0$ A, $T_j = -40^\circ\text{C}$ to $150^\circ\text{C}$	–10	$\pm 6$	10	mV
<b>Lifetime Drift Characteristics</b>						
Sensitivity Error Lifetime Drift	$E_{sens\_drift}$			$\pm 1$		%
Total Output Error Lifetime Drift	$E_{tot\_drift}$			$\pm 1$		%

<sup>1</sup> Typical values with +/- are 3 sigma values

<sup>2</sup> Percentage of  $I_P$ , with  $I_P = I_{PR(\max)}$ .

<sup>3</sup> A single part will not have both the maximum/minimum sensitivity error and maximum/minimum offset voltage, as that would violate the maximum/minimum total output error specification. Also, 3 sigma distribution values are combined by taking the square root of the sum of the squares. See Application Information section.

**CH70150CB5\* Performance Characteristics:  $T_A$  Range L, valid at  $T_j = -40^\circ\text{C}$  to  $150^\circ\text{C}$ , unless otherwise specified**

Characteristic	Symbol	Test Conditions	Min.	Typ. <sup>1</sup>	Max.	Unit
<b>Nominal Performance</b>						
Supply Voltage	$V_{CC}$		4.5	–	5.5	V
Current-Sensing Range	$I_{PR}$		-50	–	50	A
Sensitivity	Sens	$I_{PR(min)} < I_P < I_{PR(max)}$	–	26	–	mV/A
Zero-Current Output Voltage	$V_{IOUT(Q)}$	Bidirectional, $I_P = 0$ A	–	1.65	–	V
<b>Accuracy Performance</b>						
Total Output Error <sup>2</sup>	$E_{TOT}$	$I_P = I_{PR(max)}$ , $T_j = -40^\circ\text{C}$ to $150^\circ\text{C}$	-2	$\pm 0.8$	2	%
<b>Total Output Error Components<sup>3</sup> <math>E_{TOT} = E_{SENS} + 100 \times V_{OE} / (\text{Sens} \times I_P)</math></b>						
Sensitivity Error	$E_{sens}$	$I_P = I_{PR(max)}$ , $T_j = -40^\circ\text{C}$ to $150^\circ\text{C}$	-1.5	$\pm 0.6$	1.5	%
Offset Voltage	$V_{OE}$	$I_P = 0$ A, $T_j = -40^\circ\text{C}$ to $150^\circ\text{C}$	-10	$\pm 5$	10	mV
<b>Lifetime Drift Characteristics</b>						
Sensitivity Error Lifetime Drift	$E_{sens\_drift}$			$\pm 1$		%
Total Output Error Lifetime Drift	$E_{tot\_drift}$			$\pm 1$		%

<sup>1</sup> Typical values with +/- are 3 sigma values

<sup>2</sup> Percentage of  $I_P$ , with  $I_P = I_{PR(max)}$ .

<sup>3</sup> A single part will not have both the maximum/minimum sensitivity error and maximum/minimum offset voltage, as that would violate the maximum/minimum total output error specification. Also, 3 sigma distribution values are combined by taking the square root of the sum of the squares. See Application Information section.



**CH70150CB3\* Performance Characteristics:  $T_A$  Range L, valid at  $T_j = -40^\circ\text{C}$  to  $150^\circ\text{C}$ , unless otherwise specified**

Characteristic	Symbol	Test Conditions	Min.	Typ. <sup>1</sup>	Max.	Unit
<b>Nominal Performance</b>						
Supply Voltage	$V_{CC}$		3	–	3.6	V
Current-Sensing Range	$I_{PR}$		-50	–	50	A
Sensitivity	Sens	$I_{PR(\min)} < I_P < I_{PR(\max)}$	–	26	–	mV/A
Zero-Current Output Voltage	$V_{IOUT(Q)}$	Bidirectional, $I_P = 0$ A	–	1.65	–	V
<b>Accuracy Performance</b>						
Total Output Error <sup>2</sup>	$E_{TOT}$	$I_P = I_{PR(\max)}$ , $T_j = -40^\circ\text{C}$ to $150^\circ\text{C}$	-2	$\pm 0.8$	2	%
<b>Total Output Error Components<sup>3</sup> <math>E_{TOT} = E_{SENS} + 100 \times V_{OE} / (\text{Sens} \times I_P)</math></b>						
Sensitivity Error	$E_{sens}$	$I_P = I_{PR(\max)}$ , $T_j = -40^\circ\text{C}$ to $150^\circ\text{C}$	-1.5	$\pm 0.6$	1.5	%
Offset Voltage	$V_{OE}$	$I_P = 0$ A, $T_j = -40^\circ\text{C}$ to $150^\circ\text{C}$	-10	$\pm 5$	10	mV
<b>Lifetime Drift Characteristics</b>						
Sensitivity Error Lifetime Drift	$E_{sens\_drift}$			$\pm 1$		%
Total Output Error Lifetime Drift	$E_{tot\_drift}$			$\pm 1$		%

<sup>1</sup> Typical values with +/- are 3 sigma values

<sup>2</sup> Percentage of  $I_P$ , with  $I_P = I_{PR(\max)}$ .

<sup>3</sup> A single part will not have both the maximum/minimum sensitivity error and maximum/minimum offset voltage, as that would violate the maximum/minimum total output error specification. Also, 3 sigma distribution values are combined by taking the square root of the sum of the squares. See Application Information section.

## 6 Application Information

### 6.1 Estimating Total Error vs. Sensed Current

The Performance Characteristics tables give distribution ( $\pm 3\sigma$ ) values for Total Error at  $I_{PR(max)}$ ; however, one often wants to know what error to expect at a particular current. This can be estimated by using the distribution data for the components of Total Error, Sensitivity Error, and Offset Voltage. The  $\pm 3$  sigma value for Total Error ( $E_{TOT}$ ) as a function of the sensed current ( $I_P$ ) is estimated as:

$$E_{TOT}(I_P) = \sqrt{E_{SENS}^2 + \left(\frac{100 \times V_{OE}}{Sens \times I_P}\right)^2}$$

Here,  $E_{SENS}$  and  $V_{OE}$  are the  $\pm 3$  sigma values for those error terms. If there is an average sensitivity error or average offset voltage, then the average Total Error is estimated as:

$$E_{TOTAVG}(I_P) = E_{SENSAVG} + \frac{100 \times V_{OEAVG}}{Sens \times I_P}$$

The resulting total error will be a sum of  $E_{TOT}$  and  $E_{TOTAVG}$ . Using these equations and the 3 sigma distributions for Sensitivity Error and Offset Voltage, the Total Error versus sensed current ( $I_P$ ) is below for the CH70120AB. As expected, as one goes towards zero current, the error in percent goes towards infinity due to division by zero.

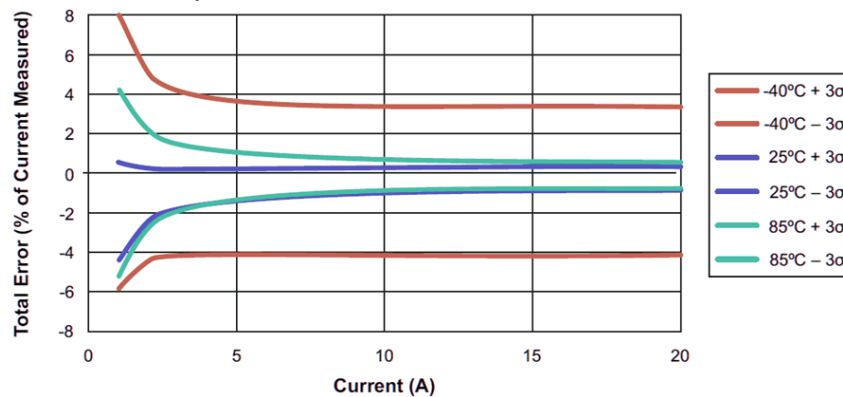


Figure 1: Predicted Total Error as a Function of the Sensed Current for the CH70120AB

### 6.2 Definitions of accuracy characteristics

**Sensitivity (Sens).** The change in sensor IC output in response to a 1 A change through the primary conductor. The sensitivity is the product of the magnetic circuit sensitivity (G/A) (1 G = 0.1 mT) and the linear IC amplifier gain (mV/G). The linear IC amplifier gain is programmed at the factory to optimize the sensitivity (mV/A) for the full-scale current of the device.

**Nonlinearity ( $E_{LIN}$ ).** The nonlinearity is a measure of how linear the output of the sensor IC is over the full current measurement range. The nonlinearity is calculated as:

$$E_{LIN} = \left\{ 1 - \frac{V_{IOUT}(I_{PR(max)}) - V_{IOUT(Q)}}{2 \times \left( V_{IOUT}\left(\frac{I_{PR(max)}}{2}\right) - V_{IOUT(Q)} \right)} \right\} \times 100(\%)$$

where  $V_{IOUT}(I_{PR(max)})$  is the output of the sensor IC with the maximum measurement current flowing through it and  $V_{IOUT}(I_{PR(max)}/2)$  is the output of the sensor IC with half of the maximum measurement current flowing through it.

**Zero-Current Output Voltage ( $V_{IOUT(Q)}$ ).** The output of the sensor when the primary current is zero. For a unipolar supply voltage, it nominally remains at  $0.5 \times V_{CC}$  for a bidirectional device and  $0.1 \times V_{CC}$  for a unidirectional device. For example, in the case of a bidirectional output device,  $V_{CC} = 5$  V translates into  $V_{IOUT(Q)} = 2.5$  V. Variation in  $V_{IOUT(Q)}$  can be attributed to the resolution of the linear IC quiescent voltage trim and thermal drift.

**Offset Voltage ( $V_{OE}$ ).** The deviation of the device output from its ideal quiescent value of  $0.5 \times V_{CC}$  (bidirectional) or  $0.1 \times V_{CC}$  (unidirectional) due to nonmagnetic causes. To convert this voltage to amperes, divide by the device sensitivity, Sens.

**Total Output Error ( $E_{TOT}$ ).** The difference between the current measurement from the sensor IC and the actual current ( $I_P$ ), relative to the actual current. This is equivalent to the difference between the ideal output voltage and the actual output voltage, divided by the ideal sensitivity, relative to the current flowing through the primary conduction path:

$$E_{TOT}(I_P) = \frac{V_{IOUT\_ideal}(I_P) - V_{IOUT}(I_P)}{Sens_{ideal}(I_P) \times I_P} \times 100(\%)$$

The Total Output Error incorporates all sources of error and is a function of  $I_P$ . At relatively high currents,  $E_{TOT}$  will be mostly due to sensitivity error, and at relatively low currents,  $E_{TOT}$  will be mostly due to Offset Voltage ( $V_{OE}$ ). In fact, at  $I_P = 0$ ,  $E_{TOT}$  approaches infinity due to the offset. This is illustrated in Figures 2 and 3. Figure 2 shows a distribution of output voltages versus  $I_P$  at 25°C and across temperature. Figure 3 shows the corresponding  $E_{TOT}$  versus  $I_P$ .

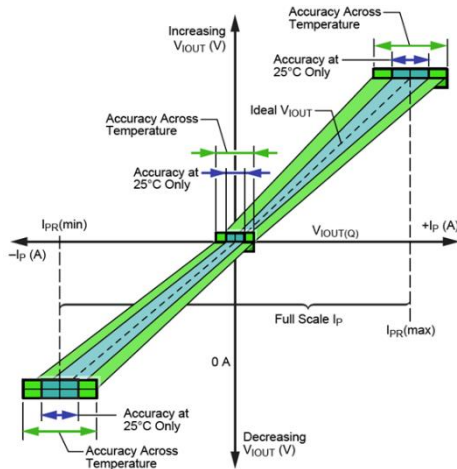


Figure 2: Output Voltage versus Sensed Current

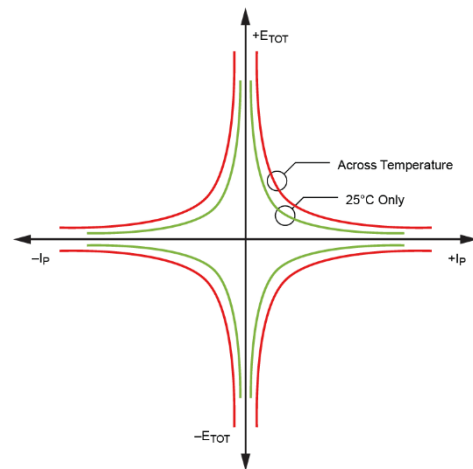


Figure 3: Total Output Error versus Sensed Current

**Sensitivity Ratiometry Coefficient (SENS\_RAT\_COEF).** The coefficient defines how the sensitivity scales with  $V_{CC}$ . The ideal coefficient is 1, meaning the sensitivity scales proportionally with  $V_{CC}$ . A 10% increase in  $V_{CC}$  results in a 10% increase in sensitivity. A coefficient of 1.1 means that the sensitivity increases by 10% more than the ideal proportionality case. This means that a 10% increase in  $V_{CC}$  results in an 11% increase in sensitivity. This relationship is described by the following equation:

$$Sens(V_{CC}) = Sens(5V) \left[ 1 + \frac{(V_{CC} - 5V) \times SENS\_RAT\_COEF}{5V} \right]$$

This can be rearranged to define the sensitivity ratiometry coefficient as:

$$SENS\_RAT\_COEF = \left[ \frac{Sens(V_{CC})}{Sens(5V)} - 1 \right] \times \frac{5V}{V_{CC} - 5V}$$

**Zero-Current Output Ratiometry Coefficient (QVO\_RAT\_COEF).** The coefficient defines how the zero-current output voltage scales with  $V_{CC}$ . The ideal coefficient is 1, meaning the output voltage scales proportionally with  $V_{CC}$ , always being equal to  $V_{CC}/2$ . A coefficient of 1.1 means that the zero-current output voltage increases by 10% more than the ideal proportionality case. This means that a 10% increase in  $V_{CC}$  results in an 11% increase in the zero-current output voltage. This relationship is described by the following equation:

$$V_{IOUTQ}(V_{CC}) = V_{IOUTQ}(5V) \left[ 1 + \frac{(V_{CC} - 5V) \times QVO\_RAT\_COEF}{5V} \right]$$

This can be rearranged to define the zero-current output ratiometry coefficient as:

$$QVO\_RAT\_COEF = \left[ \frac{V_{IOUTQ}(V_{CC})}{V_{IOUTQ}(5V)} - 1 \right] \times \frac{5V}{V_{CC} - 5V}$$

### 6.3 Definitions of dynamic response characteristics

**Power-On Time ( $t_{PO}$ ).** When the supply is ramped to its operating voltage, the device requires a finite time to power its internal components before responding to an input magnetic field. Power-On Time,  $t_{PO}$ , is defined as the time it takes for the output voltage to settle within  $\pm 10\%$  of its steady-state value under an applied magnetic field, after the power supply has reached its minimum specified operating voltage,  $V_{CC(min)}$ , as shown in the chart at right.

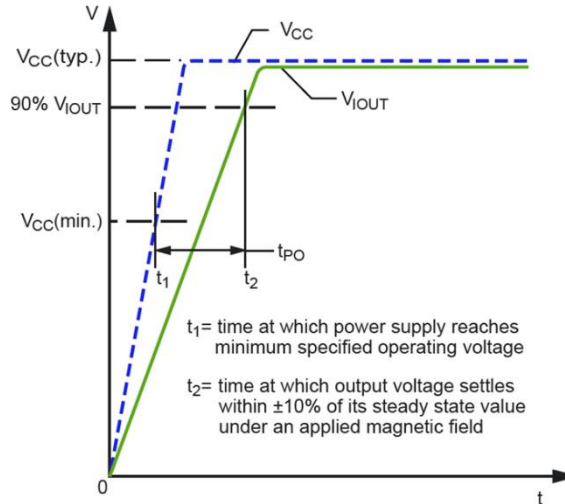


Figure 4: Power-On Time

**Rise Time ( $t_r$ ).** The time interval between a) when the sensor IC reaches 10% of its full-scale value, and b) when it reaches 90% of its full-scale value. The rise time to a step response is used to derive the bandwidth of the current sensor IC, in which  $f(-3 \text{ dB}) = 0.35 / t_r$ . Both  $t_r$  and  $t_{RESPONSE}$  are detrimentally affected by eddy-current losses observed in the conductive IC ground plane.

**Propagation Delay ( $t_{pd}$ ).** The propagation delay is measured as the time interval a) when the primary current signal reaches 20% of its final value, and b) when the device reaches 20% of its output corresponding to the applied current.

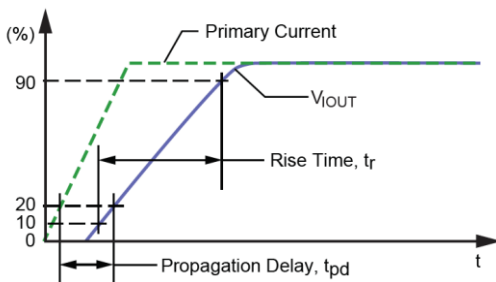


Figure 5: Rise Time and Propagation Delay

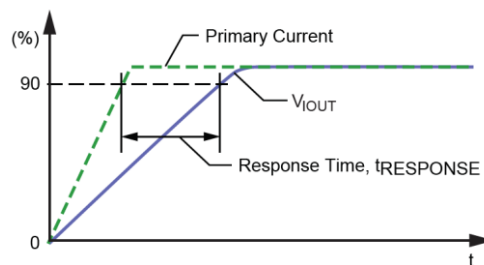


Figure 6: Response Time

**Response Time ( $t_{RESPONSE}$ ).** The time interval between a) when the primary current signal reaches 90% of its final value, and b) when the device reaches 90% of its output corresponding to the applied current.

## 7 Package Information

### For Reference Only – Not for Tooling Use

(Reference MS-012AA)

Dimensions in millimeters – NOT TO SCALE

Dimensions exclusive of mold flash, gate burrs, and dambar protrusions

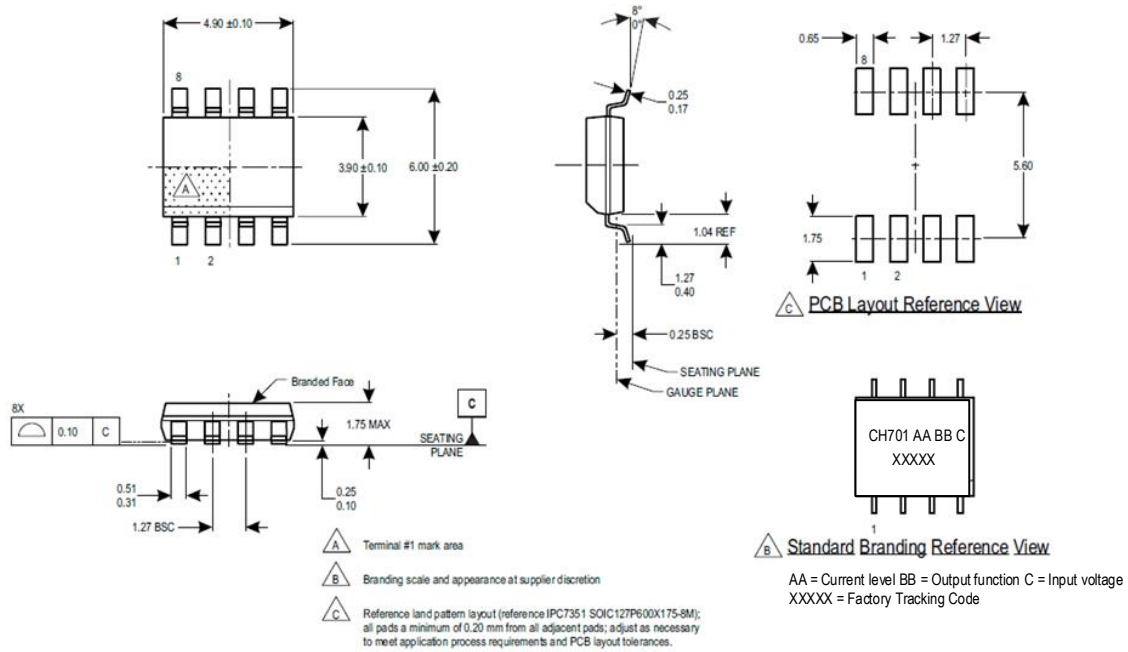


Figure 7: Package LC, 8-pin SOIC

This is advanced information on a new product now in development or undergoing evaluation. Details are subject to change without notice and Cosemitech assumes no obligation for future manufacture of this product. Contact Cosemitech for the latest status.

Information furnished is believed to be accurate and reliable. However, Cosemitech assumes no responsibility for the consequences of use of such information nor for any infringement of patents or other rights of third parties which may result from its use. No license is granted by implication or otherwise under any patent or patent rights of Cosemitech. Specification mentioned in this publication are subject to change without notice. This publication supersedes and replaces all information previously supplied. Cosemitech products are not authorized for use as critical components in life support devices or systems without express written approval of Cosemitech.

The Cosemitech logo is a registered trademark of Cosemitech.

## X-ON Electronics

Largest Supplier of Electrical and Electronic Components

*Click to view similar products for [Board Mount Current Sensors](#) category:*

*Click to view products by [Cosemitech](#) manufacturer:*

Other Similar products are found below :

[CSDD1FR](#) [CSNP661-007](#) [SCL15 10006](#) [L18P003S05](#) [T60404-B4658-X030](#) [LA02P021S03](#) [LA01M041S05](#) [CSNE151-003](#)  
[TLI4971A120T5UE0001XUMA1](#) [SIC830AED-T1-GE3](#) [F03P006S05L](#) [F03P050S05L](#) [CT-05](#) [CT-07-100](#) [CT-07-50](#) [L18P020S05](#) [T60404-N4646-X400](#) [T60404-N4646-X661](#) [T60404-N4646-X662](#) [ACS726LLFTR-40B-T](#) [ACS770LCB-100B-PFF-T](#) [ACS711KEXLT-15AB-T](#)  
[DRV421RTJT](#) [ACS724LLCTR-30AB-T](#) [S23P50/100D15M1](#) [CSNR161005](#) [CSNJ481-001](#) [L37S200D15M](#) [MR-3](#) [T60404-N4644-X400](#)  
[T60404-N4644-X101](#) [T60404-N4646-X401](#) [F03P006S05](#) [MR-4](#) [CT-06-100](#) [CT-06-50](#) [SDV-FH5 DC125V](#) [T60404-N4646-X412](#) [MCR1101-5-5](#) [MCA1101-5-3](#) [MCR1101-20-3](#) [MCR1101-5-3](#) [ACS709LLFTR-35BB-T](#) [ACS710KLATR-12CB-T](#) [ACS724KMATR-65AB-T](#)  
[ACS758LCB-050U-PFF-T](#) [ACS725LLCTR-20AB-T](#) [ACS723LLCTR-10AB-T](#) [ACS711KLCTR-25AB-T](#) [ACS713ELCTR-20A-T](#)