

### ● Description

The KPS2832 series consist of a photodarlington optically coupled to a gallium arsenide infrared-emitting diodes in a 4-pin SSOP package. Collector-emitter voltage is 300V. The input-output isolation voltage is rated at 3750 Vrms.

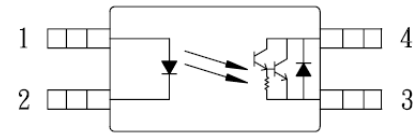
### ● Features

1. Pb free and RoHS compliant.
2. High isolation voltage (Viso=3750Vrms)
3. Small and thin package(4pin SSOP, pin pitch 1.27mm)
4. High collector to emitter voltage (  $V_{CE0}=300V$  )
5. High current transfer ratio  
(CTR=2000% typ. @  $I_F=1mA$ ,  $V_{CE}=2V$  )
6. MSL class 1
7. Agency Approvals:
  - UL Approved (No. E169586): UL1577
  - c-UL Approved (No. E169586)
  - VDE Approved (No. 40010469): DIN EN60747-5-5
  - FIMKO Approved: EN60065, EN60950
  - SEMKO Approved: EN60065, EN60950
  - CQC Approved: GB8898-2011, GB4943.1-2011

### ● Applications

- Telephone/ Telegraph receiver
- FAX
- Hybrid IC

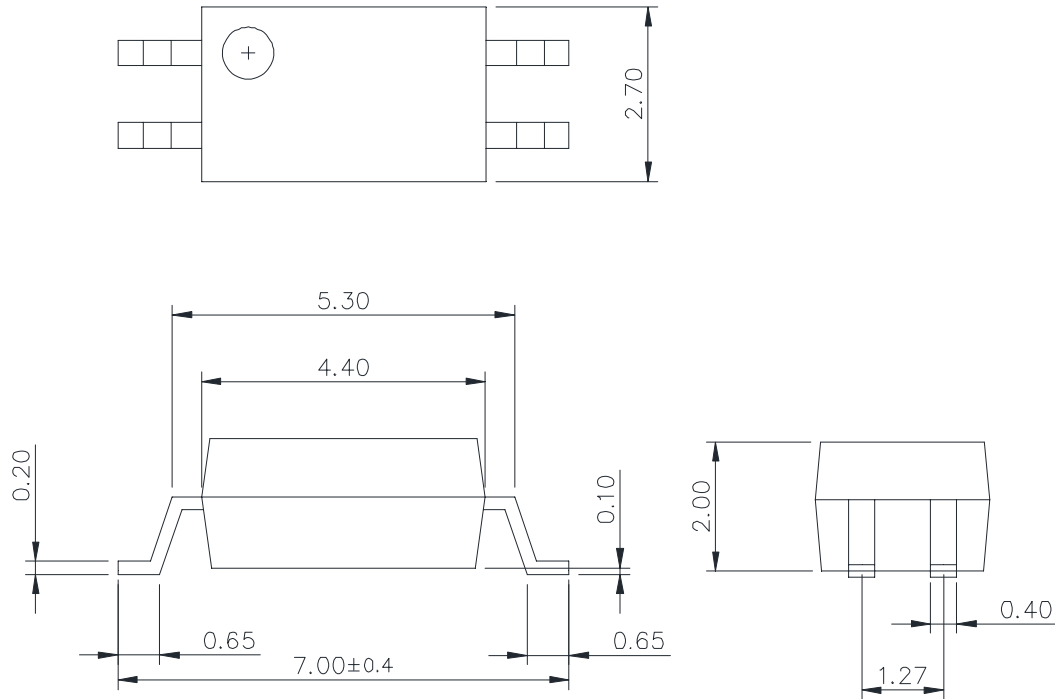
### ● Schematic



1. Anode
2. Cathode
3. Emitter
4. Collector

● **Outside Dimension**

Unit : mm



TOLERANCE : ±0.2mm

● **Device Marking**



**Notes:**

2832

YWW

Y: Year code / WW: Week code

**● Absolute Maximum Ratings**

(Ta=25°C)

Parameter		Symbol	Rating	Unit
Input	Forward current	$I_F$	50	mA
	Peak forward current(*1)	$I_{FP}$	1	A
	Reverse voltage	$V_R$	6	V
	Power dissipation	$P_D$	60	mW
	Power dissipation derating	$P_D/^\circ C$	0.6	mW/°C
Output	Collector-Emitter voltage	$V_{CEO}$	300	V
	Emitter-Collector voltage	$V_{ECO}$	0.3	V
	Collector current	$I_C$	60	mA
	Collector power dissipation	$P_C$	120	mW
	Collector power dissipation derating	$P_C/^\circ C$	1.2	mW/°C
Isolation voltage 1 minute(*2)		Viso	3750	Vrms
Operating temperature		Topr	-55 to +115	°C
Storage temperature		Tstg	-55 to +125	°C

\*1 PW=100μs,Duty Cycle=1%.

\*2 AC voltage for 1minute at T =25°C ,RH=60% between input and output.

**● Electro-optical Characteristics**

(Ta=25°C)

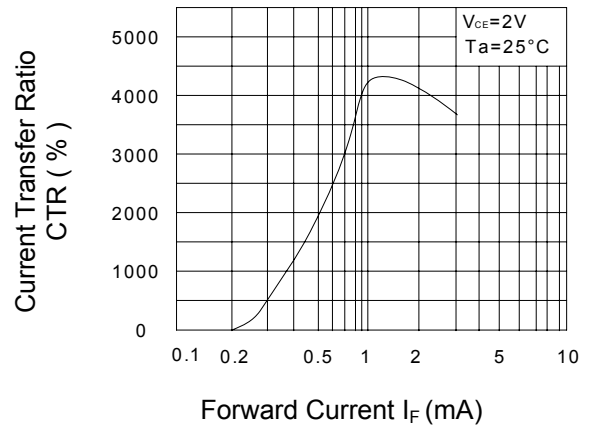
Parameter		Symbol	Conditions	Min.	Typ.	Max.	Unit
Input	Forward voltage	$V_F$	$I_F=10mA$	–	1.2	1.4	V
	Reverse current	$I_R$	$V_R=5V$	–	–	5	μA
	Terminal capacitance	$C_t$	$V=0V, f=1.0MHz$	–	30	–	pF
Output	Collector dark current	$I_{CEO}$	$V_{CE}=300V, I_F=0mA$	–	–	400	nA
Transfer characteristics	Current transfer ratio	CTR	$I_F=1mA, V_{CE}=2V$	400	2000	-	%
	Collector-Emitter saturation voltage	$V_{CE(sat)}$	$I_F=1mA, I_C=2mA$	–	–	1.0	V
	Isolation resistance	Riso	DC500V	$5 \times 10^{10}$	$10^{11}$	–	Ω
	Floating capacitance	$C_f$	$V=0V, f=1.0MHz$	–	0.4	-	pF
	Response time (Rise)(*3)	tr	$V_{CE}=5V, I_C=10mA,$ $R_L=100\Omega$	–	100	–	μs
	Response time (Fall) (*3)	tf		–	20	–	μs

\*3 Test Circuit for Switching Time

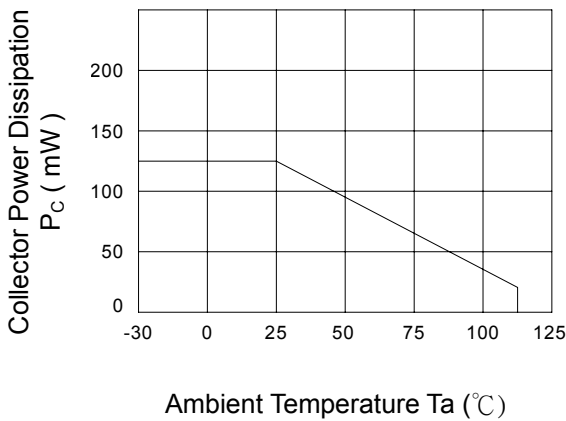
Classification table of current transfer ratio is shown below.

CTR RANK	CTR (%)
KPS28320E	Min.400

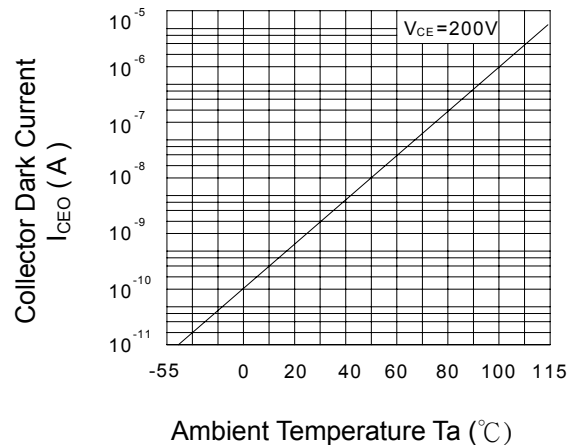
**Fig.1 Current Transfer Ratio vs. Forward Current**



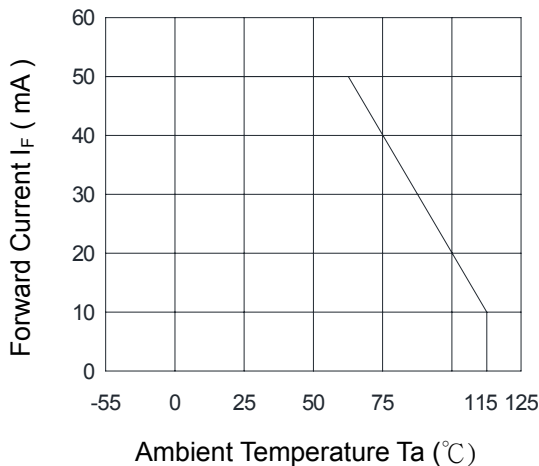
**Fig.2 Collector Power Dissipation vs. Ambient Temperature**



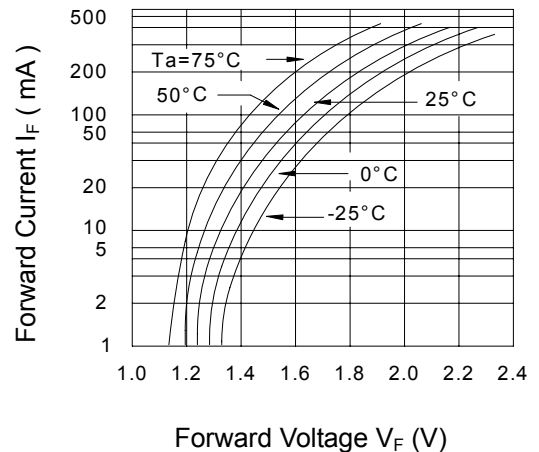
**Fig.3 Collector Dark Current vs. Ambient Temperature**



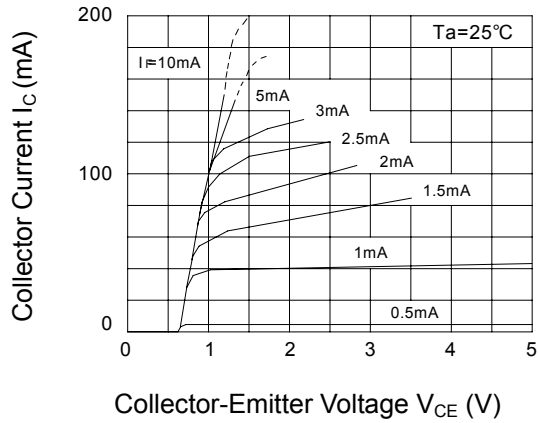
**Fig.4 Forward Current vs. Ambient Temperature**



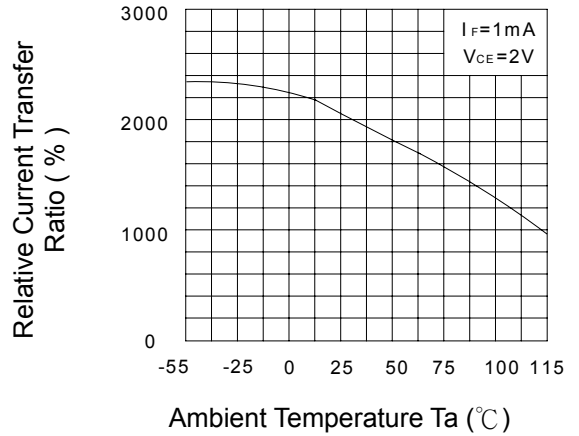
**Fig.5 Forward Current vs. Forward Voltage**



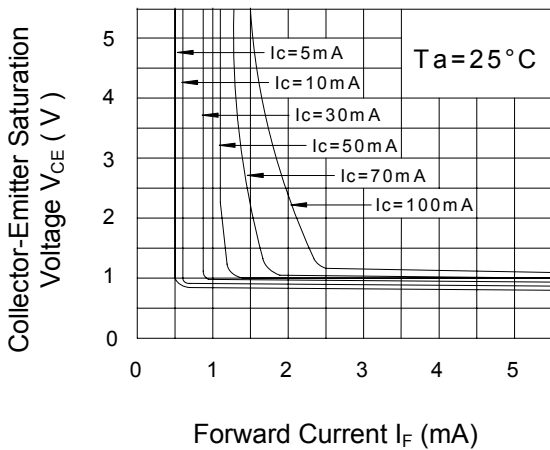
**Fig.6 Collector Current vs. Collector-Emitter Voltage**



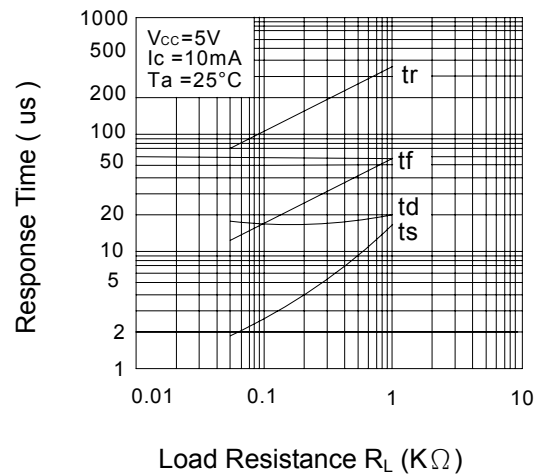
**Fig.7 Relative Current Transfer Ratio vs. Ambient Temperature**



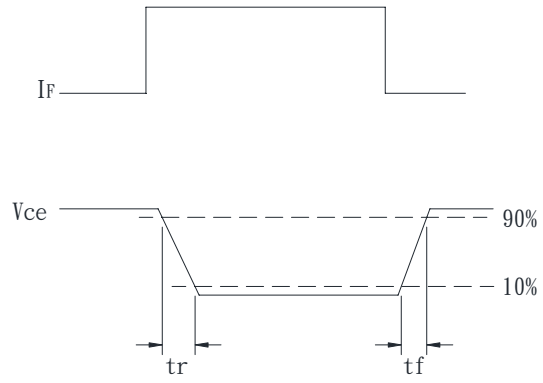
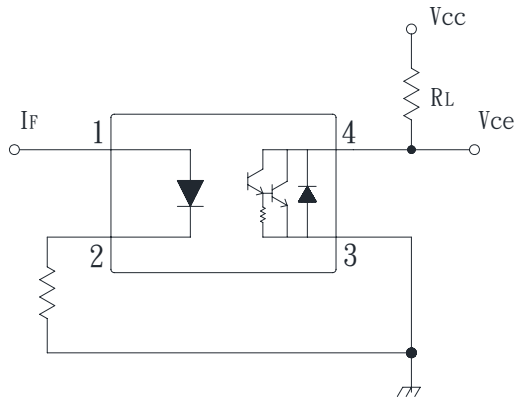
**Fig.8 Collector-Emitter Saturation Voltage vs. Forward Current**



**Fig.9 Response Time vs. Load Resistance**



● **Test Circuit for Response Time**

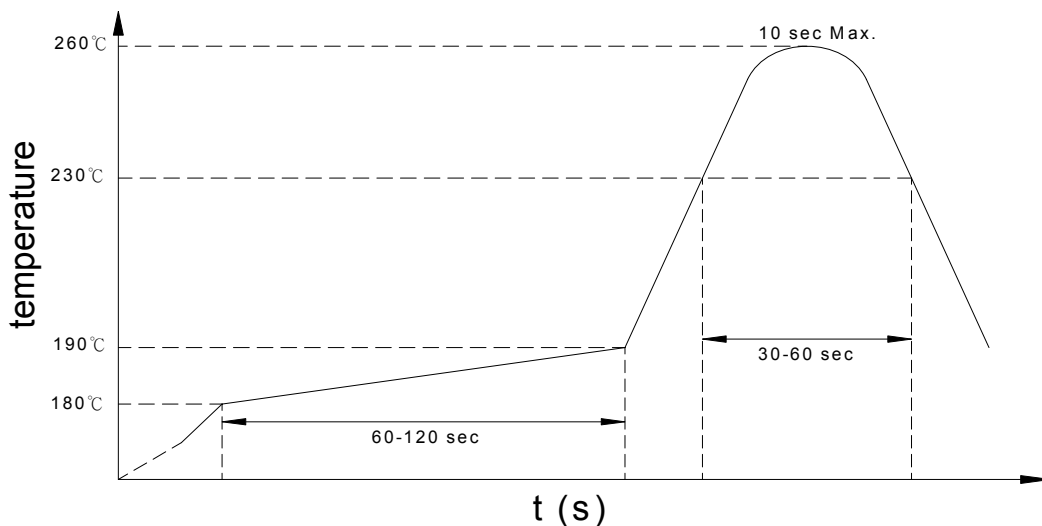


● **Recommended Soldering Conditions**

**(a) Infrared reflow soldering :**

- Peak reflow soldering : 260°C or below (package surface temperature)
- Time of peak reflow temperature : 10 sec
- Time of temperature higher than 230°C : 30-60 sec
- Time to preheat temperature from 180~190°C : 60-120 sec
- Time(s) of reflow : Two
- Flux : Rosin flux containing small amount of chlorine (The flux with a maximum chlorine content of 0.2 Wt% is recommended.)

**Recommended Temperature Profile of Infrared Reflow**



**(b) Wave soldering :**

- Temperature : 260°C or below (molten solder temperature)
- Time : 10 seconds or less
- Preheating conditions : 120°C or below (package surface temperature)
- Time(s) of reflow : One
- Flux : Rosin flux containing small amount of chlorine (The flux with a maximum chlorine content of 0.2 Wt% is recommended.)

**(c) Cautions :**

- Fluxes : Avoid removing the residual flux with freon-based and chlorine-based cleaning solvent.
- Avoid shorting between portion of frame and leads.

- **Numbering System**

## KPS2832 Y (Z)

**Notes:**

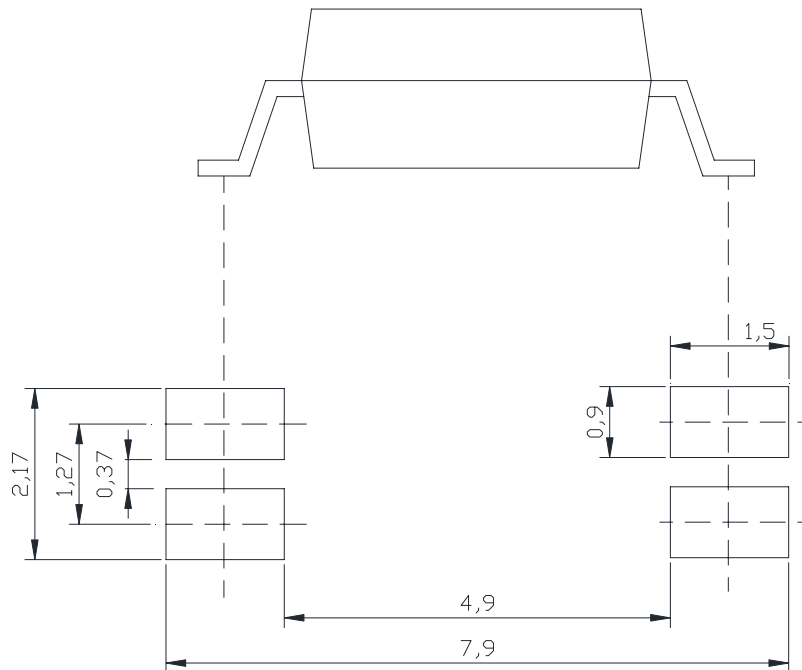
KPS2832 = Part No.

Y = CTR rank (E)

Z = Tape and reel option (TLD · TRU)

Option	Description	Packing quantity
TLD	TLD tape & reel option	3000 units per reel
TRU	TRU tape & reel option	3000 units per reel

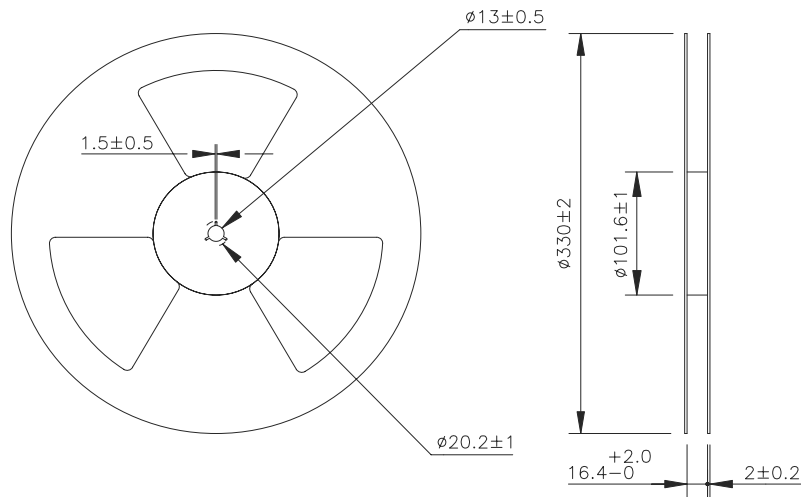
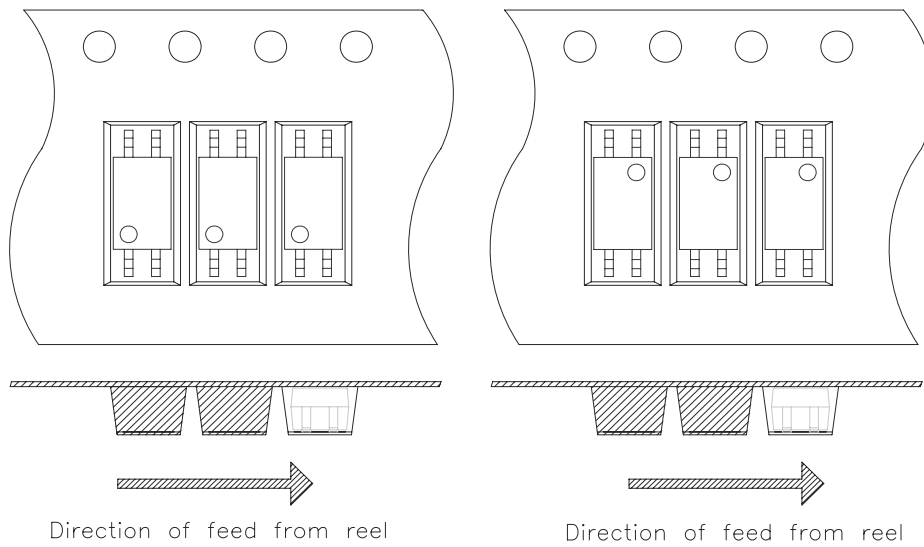
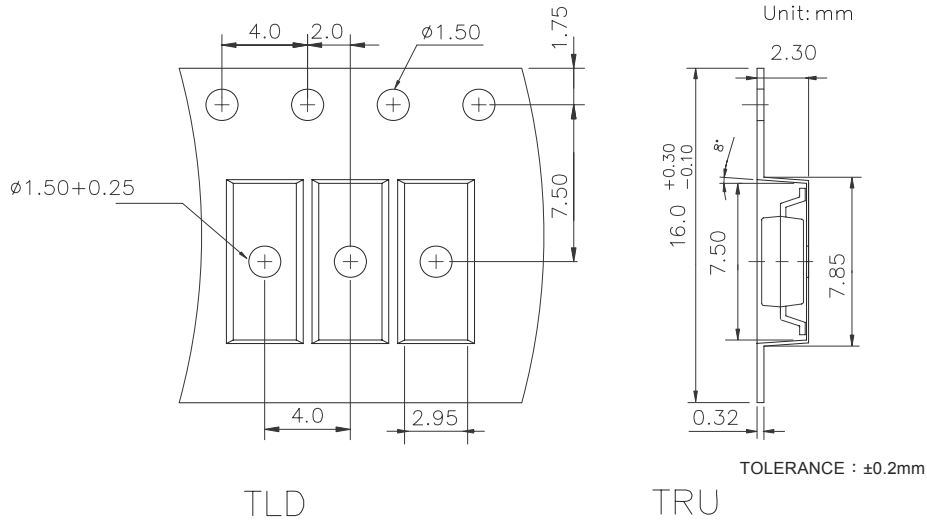
- **Recommended Pad Layout for Surface Mount Lead Form**



Unit :mm



● 4-pin SSOP Carrier Tape & Reel





● **Application Notice**

The statements regarding the suitability of products for certain types of applications are based on cosmo's knowledge of general applications of cosmo products. Such statements are not binding statements about the suitability of products for a particular application. It is the customer's responsibility to verify the specifications are suitable for use in a particular application. Customers are solely responsible for all aspects of their own product design or applications. The parameters provided in the datasheet may vary in different applications and performance may vary over time. All operating parameters (including typical parameters) must be validated by customer's technical experts for different applications. cosmo assumes no liability for customer' product design or applications. Product specifications do not expand or otherwise change cosmo's terms and conditions of purchase, including but not limited to the warranty expressed therein.

When using cosmo products, please comply with safety standards and instructions. cosmo has no liability and responsibility to the damage caused by improper use of the instructions specified in the specifications.

cosmo products are designed for use in general electronic equipment such as telecommunications, office automation equipments, personal computers, test and measurement equipments, consumer electronics, industrial control, instrumentation, audio, video.

cosmo devices shall not be used in equipment that requires higher level of reliability and safety, such as nuclear power control equipment, telecommunication equipment(trunk lines), space application, medical and other life supporting equipments, and equipment for aircraft, military, automotive or any other application that can cause human injury or death.

cosmo reserves the right to change the specifications, data, characteristics, structure, materials and other contents at any time without notice. Please contact cosmo to obtain the latest specification.

cosmo disclaim any and all liability for any errors, inaccuracies or incompleteness contained in any datasheet or in any other disclosure relating to any product.

## X-ON Electronics

Largest Supplier of Electrical and Electronic Components

*Click to view similar products for [Photodiode Output Optocouplers](#) category:*

*Click to view products by [Cosmo](#) manufacturer:*

Other Similar products are found below :

[TLP590B\(C,F\)](#) [TLP5214\(D4.E\(O](#) [TLP7820\(A-LF4.E\(O](#) [IS281](#) [APV2111V](#) [APV1121SX](#) [APV2111VY](#) [TLP190B\(TPR,U,C,F\)](#)  
[TLP3906\(TPL,E](#) [TLP591B\(C,F\)](#) [TLP3905\(E](#) [IS281GR](#) [APS1241S](#) [APS2241S](#) [APV1122AJ](#) [APV1122J](#) [APV2121SJ](#) [TLP191B\(U.C.F\)](#)  
[APV2121S](#) [TLP3906\(TPR,E\(O](#) [TLP3914\(TP15,F\)](#) [APV1121SJ](#) [NSL 32](#) [NSL-32SR3](#) [AQW214E2HAXL1](#) [QCPL-329J-500E](#) [TLP521-](#)  
[2XGBSMT&R](#) [TLP521-2SMT&R](#) [K20102B TLD](#) [KPS28320E TLD](#) [CTH214A\(T1\)](#) [CT354\(V\)\(T1\)](#) [LTV-214-TP1-GR-G](#) [CTH217C\(V\)\(T1\)](#)  
[CYMOC3023S\(TP1\)](#) [CYMOC3041S\(TP1\)](#) [CYMOC3061S\(TP1\)](#) [CYMOC3083S\(TP1\)](#) [CYPC356\(C-TP\)](#) [CYPS2501-1\(L-TP2\)](#)  
[CYTLP127\(TP\)](#) [CYTLP291\(GB-TP\)](#) [KP10400E](#) [817B](#) [EL817M\(C\)-F](#) [K10103C](#) [KP40101C](#) [K30101A](#) [K30101C](#) [GX817MC](#)