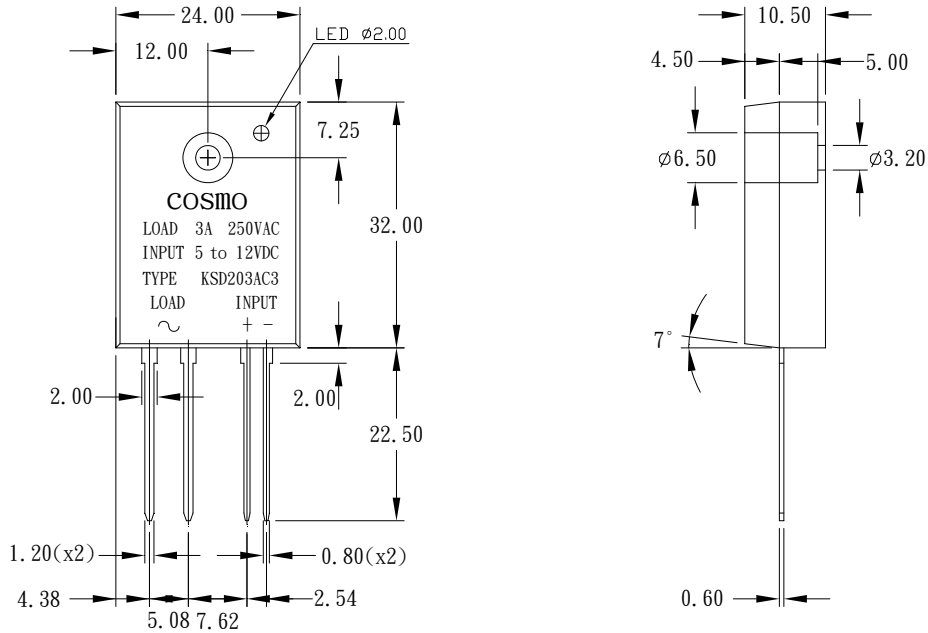


PRODUCT SPECIFICATION

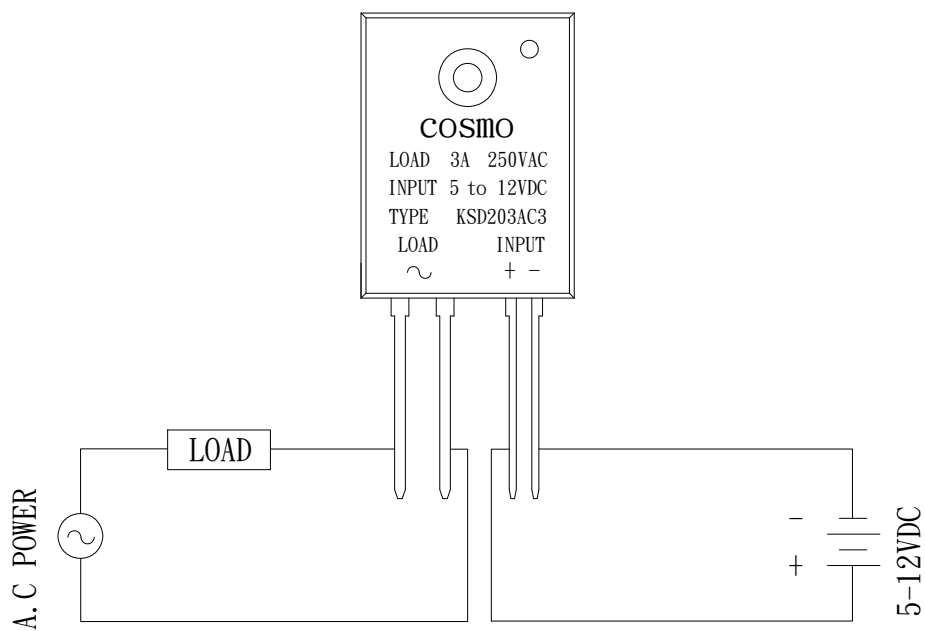
DATE: 05/27/11'

cosmo ELECTRONICS CORPORATION	SOLID STATE RELAY :	NO. 58032203	REV.
	KSD203AC3	SHEET 1 OF 2	4

1. OUTSIDE DIMENSION : UNIT (mm)



2. SCHEMATIC : TOP VIEW



PRODUCT SPECIFICATION

DATE: 05/27/11'

cosmo ELECTRONICS CORPORATION	SOLID STATE RELAY :	NO. 58032203	REV.
	KSD203AC3	SHEET 2 OF 2	4

3. Absolute Maximum Ratings

(Ta=25°C)

Parameter		Symbol	Rating	Unit
Input	Input signal voltage	V_{IN}	5-12	VDC
	Drop-out voltage	V_{do}	1	VDC
Output	RMS on-state current	I_T	3	Arms
	Peak one cycle surge current	I_{surge}	30	A
	Repetitive peak-off state voltage	V_{DRM}	600	V
	Operating frequency	f	47~70	Hz
	Critical rate of rise of on-state current	di/dt	50	A/us
	Load supply voltage	V_{out}	250	Vrms AC
Isolation voltage input to output		V_{iso}	4000	Vrms
Operating temperature		T_{opr}	-30~100	°C
Storage temperature		T_{stg}	-30~125	°C
Soldering temperature 10 sec		T_{sol}	260	°C

4. Electrical Characteristics

(Ta=25°C)

Parameter		Symbol	Conditions	MIN	TYP	MAX	Unit
Input	Pick-up voltage	V_{pu}	$I_t=1Arms$			4	VDC
	Input current	I_{in}	$V_{in}=5\sim 12V$	5		35	mA
Output	On-state voltage	V_T	$I_T=1Arms$			1.5	Vrms
	Operating current	I_{op}	$V_{out}=240vrms$	50			mArms
	Leakage current	I_{leak}	$V_{out}=240vrms$			7	mArms
	Critical rate of rise of off-state voltage	dv/dt		50	200		V/us
	Zero-cross voltage	V_{ox}			YES		
	Load Voltage Rating	V_{out}	$I_T=50mArms$ MIN	50		280	VAC
Minimum trigger current		I_{FT}	$V_{DRM}=600V$			10	mA
Isolation resistance input to output		R_{ISO}	DC500V	10			GΩ
Turn-on time		T_{on}	60Hz AC			8.3	mS
Turn-off time		T_{off}	60Hz AC			8.3	mS
Thermal resistance (between junction and case)		R_{th} (j-c)			1.3		°C/W

X-ON Electronics

Largest Supplier of Electrical and Electronic Components

Click to view similar products for [Solid State Relays - Industrial Mount](#) category:

Click to view products by [Cosmo](#) manufacturer:

Other Similar products are found below :

[D2440-C](#) [H10CA4890](#) [D4875C](#) [1395831-1](#) [1616010-6](#) [BR312BY](#) [A-1326](#) [H10CA4850](#) [H12CA4890VL](#) [RA2410-D06](#) [RA2410HA06T](#)
[W230E-1-12](#) [W230T-3-12](#) [1-1617030-3](#) [1-1617033-7](#) [MS2-D2420](#) [MS2-D2430](#) [A-1440](#) [RJ1P60V50E](#) [RN1F48I50](#) [70.362.1028.0](#)
[Z5.509.0828.0](#) [G3SD-Z01P-PE DC24](#) [RV8S-L-A240-D24](#) [RV8S-L-D48-D24](#) [RV8S-S-A240-D24](#) [RV8S-S-A240Z-D24](#) [RN1F12V50](#)
[RJ1P60I30E](#) [RJ1P60V30E](#) [PLC-OPT- 12DC/300DC/1](#) [SO967860](#) [PLC-OPT-24DC/V8C/SEN](#) [SMT8628521](#) [SO869970](#) [SOD867180](#)
[ESUC0480](#) [SAL962360](#) [SO842974](#) [SRH3-2415](#) [SUL942460](#) [G3PH-5150B DC5-24](#) [G3PH-2075B DC5-24](#) [1127410000](#) [1127700000](#)
[SSLM1ND101M7](#) [8950780000](#) [G3PH-5150BAC100-240](#) [1548740-1](#) [84154010N](#)