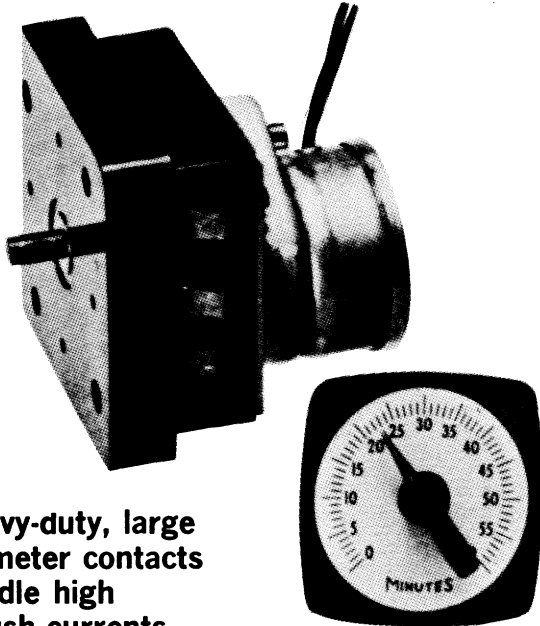
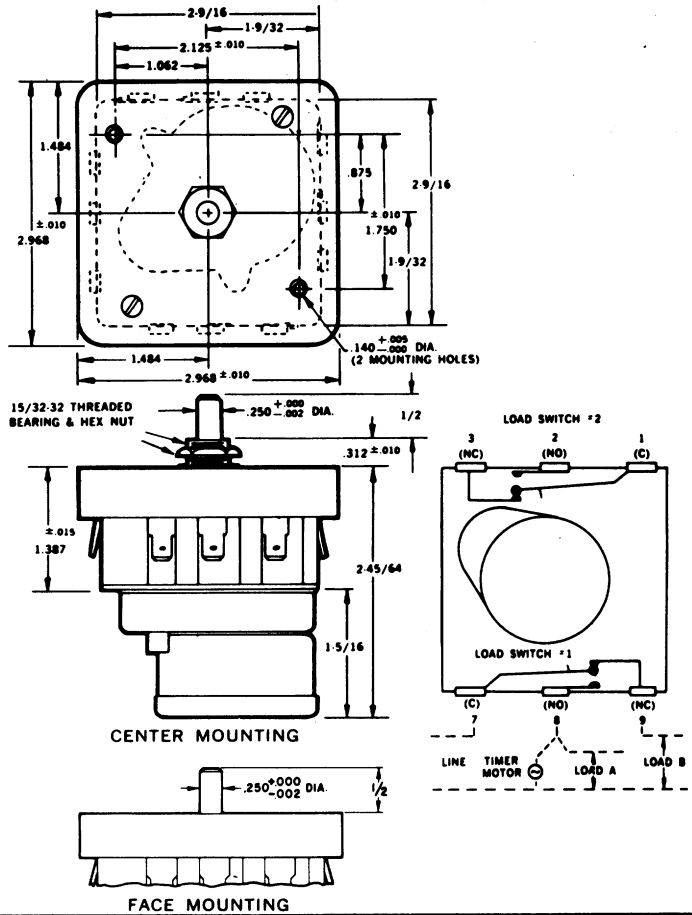


Cramer 271 Low Cost Interval Timer



- Heavy-duty, large diameter contacts handle high inrush currents
- Compact, fully enclosed housing
- UL Recognized
- One or two circuits



Cramer 271 Interval Timer is designed primarily for built-in applications and is available with or without a standard dial and pointer-knob. It controls ON and OFF intervals for a number of applications in ranges from 60 seconds to 72 hours.

Turning the pointer clockwise to the chosen setting transfers the load switch, energizes the high torque motor and initiates timing. The setting pointer indicates

timing progress as it moves back towards zero. Setting can be changed while timing is in progress. As the timed interval ends, the load switch transfers to its original position and the motor is automatically de-energized.

In two-pole units, the second cam is factory set to operate immediately prior to the first. The normal operating point is zero, but the second cam can be set to operate at any point in the 270° scale if so specified.

SPECIFICATIONS

Time Ranges:	Dial	Time	Dial
Time Ranges	Divisions	Ranges	Divisions
60 sec.	2.0 sec.	60 min.	2.0 min.
5 min.	10.0 sec.	5 hr.	10.0 min.
15 min.	30.0 sec.	12 hr.	24.0 min.
30 min.	1.0 min.	24 hr.	48.0 min.
		72 hr.	2.0 hours

Lower contact ratings will permit time ranges shorter than 60 seconds. For additional special time ranges, consult factory or your nearest Cramer representative.

Minimum Setting: 9 degrees.

Total Travel: 270 degrees.

Ratings: Available in 115 volt and 220 volt, 50 and 60 Hz. For special AC requirements and DC ratings, consult factory.

Load Circuits: one or two. SPDT open-blade switches.

Switch Contacts: Silver-cadmium-alloy, rated at 15 amperes, 115 volts AC resistive load, or 1/3 HP motor load at 115 volts AC.

Mounting: Can be face mounted or center mounted.

ORDERING INFORMATION

Timer 271

Time Range

Voltage and Frequency

Number of poles: 1 or 2. If two specify operating point for pole #2.

Mounting style: Face or Center Hole.

Other Features: Dial, Knob, etc.

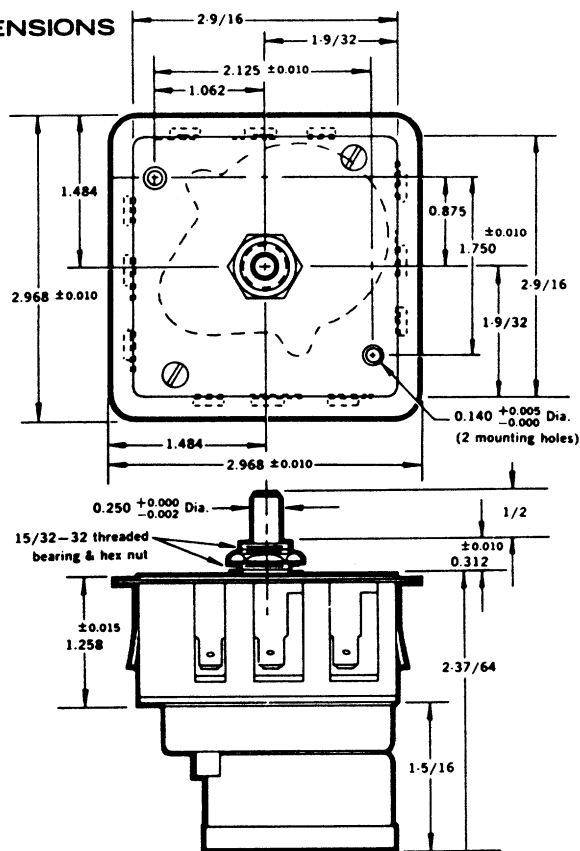
CRAMER COMPANY

Mill Rock Road
Old Saybrook, Connecticut 06475

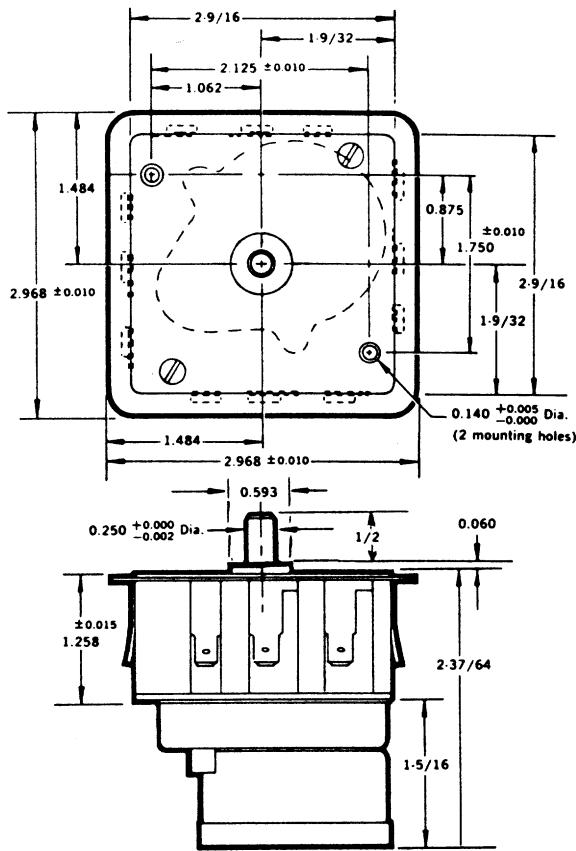
Telephone: (203) 388-3574

Telex: 966-453

DIMENSIONS

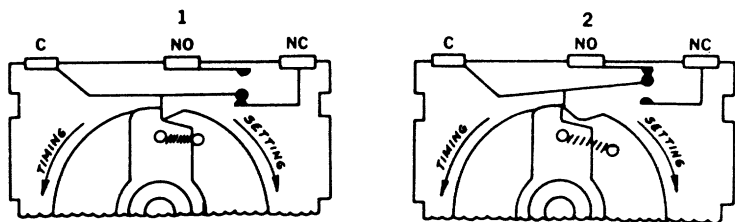


CENTER MOUNTING



FACE MOUNTING

CAM WITH REVERSING PAWL

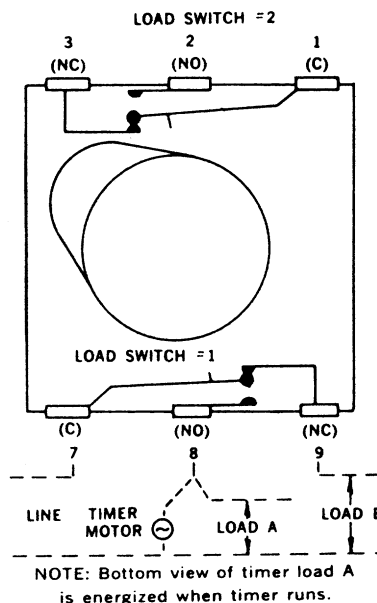


Spring loaded reversing pawl provides "drop-off" for fast contact transfer at end of cycle and allows gradual rise for setting operation.

ORDERING INFORMATION

- Specify:
- Timer Type (271)
 - Time Range
 - Voltage and Frequency
 - Number of poles (1 or 2). If two, specify operating point for pole No. 2
 - Mounting style (face-or center-hole)
 - Other features (dial, knob, etc.)

WIRING



GIANNINI CONTROLS CORP. INDUSTRIAL SALES OFFICES

GCC Industrial Products include CRAMER timing devices and small motors, Presstaker® combination pressing and staking machines, POWERTRON ultrasonic cleaning systems and ultrasonic fluid controls.

CHICAGO 39, Illinois
4930 West Fullerton Ave.
MErrimac 7-7502

OLD SAYBROOK, Connecticut
EVERgreen 8-3574
TWX: 203-388-4397

PASADENA, California
1200 East Walnut St.
MURray 1-1212, SYcamore 3-1985
TWX: 213-449-2353

PLAINVIEW, Long Island, N.Y.
Expressway Industrial Park
MU 3-8225, GE 3-1020

WALTHAM, Massachusetts
235 Bear Hill Rd.
893-8181

WASHINGTON 16, D.C.
4435 Wisconsin Ave., N.W.
363-5587

X-ON Electronics

Largest Supplier of Electrical and Electronic Components

Click to view similar products for [cramer](#) manufacturer:

Other Similar products are found below :

[10055](#) [7898](#) [9879](#) [10063](#) [10186](#) [10071](#)