



TYPICAL APPLICATION

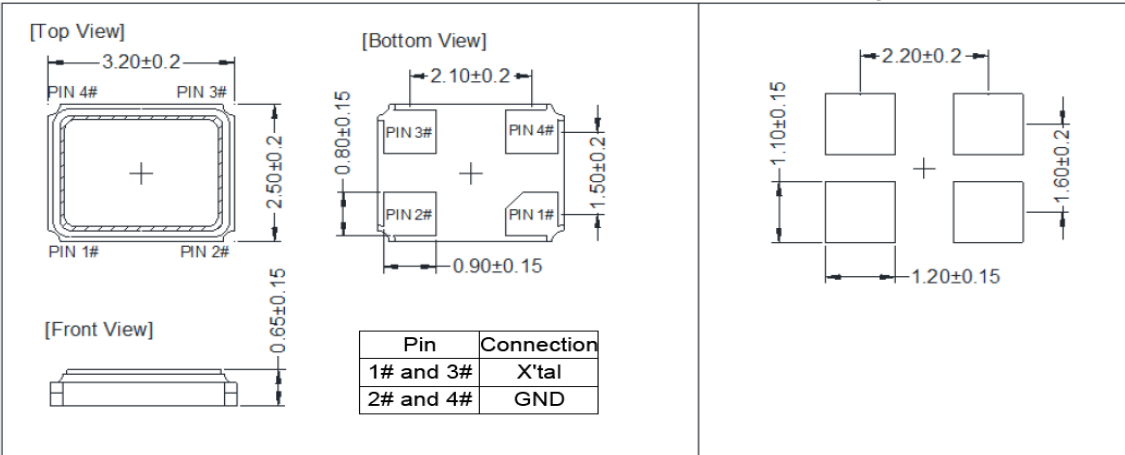
- Bluetooth, Mobile Phone, GPS
- Wireless LAN, 4G/LTE
- Hard Disk



DIMENSIONS (mm)

Product Dimensions

Solder Pad Layout Dimensions



ELECTRICAL SPECIFICATION

PARAMETERS	XMD-SMD3225			UNITS	CONDITIONS
	MIN	TYP	MAX		
Nominal Frequency	8		54	MHz	-
Mode of vibration	Fundamental				-
Frequency Tolerance	10 20 30 or specify			ppm	@+25°C±3°C
Frequency Stability	Table 2			ppm	Ref 25°C±3°C
Load Capacitance	8pF 10pF or specify			pF	-
Shunt Capacitance			2	pF	@+25°C±3°C
Equivalent Series Resistance	Table 1			Ω	-
Drive Level		10	200	μW	-
Operating Temperature Range	-40		125	°C	-
Storage Temperature	-55		125	°C	-
Aging (First Year)	-3		3	ppm	-
Insulation Resistan	500			MΩ	@DC100V

EQUIVALENT SERIES RESISTANCE (Table 1)

Frequency Range	MODE	E.S.R(Ω)
8MHz ≤ F0 ≤ 10MHz	Fundamental	200
10MHz < F0 < 16MHz	Fundamental	100
16MHz ≤ F0 ≤ 20MHz	Fundamental	60
20MHz < F0 ≤ 32MHz	Fundamental	40
32MHz < F0 ≤ 54MHz	Fundamental	30

FREQ. STABILITY vs. TEMP. RANGE (Table 2)

Temp. °C	ppm				
	±10	±15	±20	±30	±50
-10 ~ 60	○	○	○	○	○
-20 ~ 70	○	○	○	○	○
-40 ~ 85	X	△	○	○	○
-40 ~ 105	X	X	△	○	○
-40 ~ 125	X	X	X	X	○

○: Available △: Conditional X: Not available

X-ON Electronics

Largest Supplier of Electrical and Electronic Components

Click to view similar products for CREC manufacturer:

Other Similar products are found below :

[01.O.MA.1GTGRIAF54000000](#) [01.O.MC.GTFRIAF48000000](#) [01.O.MC.GTFVFBN0025000000](#) [01.O.MC.GTFVFBN0050000000](#)
[01.O.MC.HTHVFBF0040000000](#) [01.X.GB.120HJVF0270000000](#) [01.X.MC.120JJRI0120000000](#) [01.X.MD.108HJRG0019200000](#)
[01.X.MD.108HMOV0032000000](#) [01.X.MD.108IJRI0027000000](#) [01.X.MD.108ILVF0024000000](#) [01.X.MD.108JJRI0033000000](#)
[01.X.MD.108HJJRI0026000000](#) [01.X.MD.110HHPJ0032000000](#) [01.X.MD.110HHTF0026000000](#) [01.X.MD.110HJVF0032000000](#)
[01.X.MD.110HJVF0040000000](#) [01.X.MD.110HLVF0008000000](#) [01.X.MD.110JJVF0016384000](#) [01.X.MD.110JLRI0024000000](#)
[01.X.MD.110JLVF0030000000](#) [01.X.MD.112HHRI0016934400](#) [01.X.MD.112HJVF0026000000](#) [01.X.MD.112IIRI0019200000](#)
[01.X.MD.112JJRI0020000000](#) [01.X.MD.112JJRI0033000000](#) [01.X.MD.112JJVF0020000000](#) [01.X.MD.112JLVF0021948717](#)
[01.X.MD.112LLRI0012000000](#) [01.X.MD.112LMVCA0364800000](#) [01.X.MD.115HHTF0040000000](#) [01.X.MD.115JJTF0038000000](#)
[01.X.MD.116ILPC0050000000](#) [01.X.MD.116JJRI0027120000](#) [01.X.MD.118HHPI0027120000](#) [01.X.MD.118JJVF0024000000](#)
[01.X.MD.118LLRF0027000000](#) [01.X.MD.120HHRI0008000000](#) [01.X.MD.120HHRI0012800000](#) [01.X.MD.120HHRI0024000000](#)
[01.X.MD.120HHRI0160000000](#) [01.X.MD.120HJVF0024000000](#) [01.X.MD.120JJRI0012000000](#) [01.X.MD.120JJRI0271200000](#)
[01.X.MD.120JJRI0400000000](#) [01.X.MD.120JJVF0022579200](#) [01.X.MD.120JJVF0027000000](#) [01.X.MD.120JJVF0028636360](#)
[01.X.MD.120JJVFA0120000000](#) [01.X.MD.122JJRI0192000000](#)